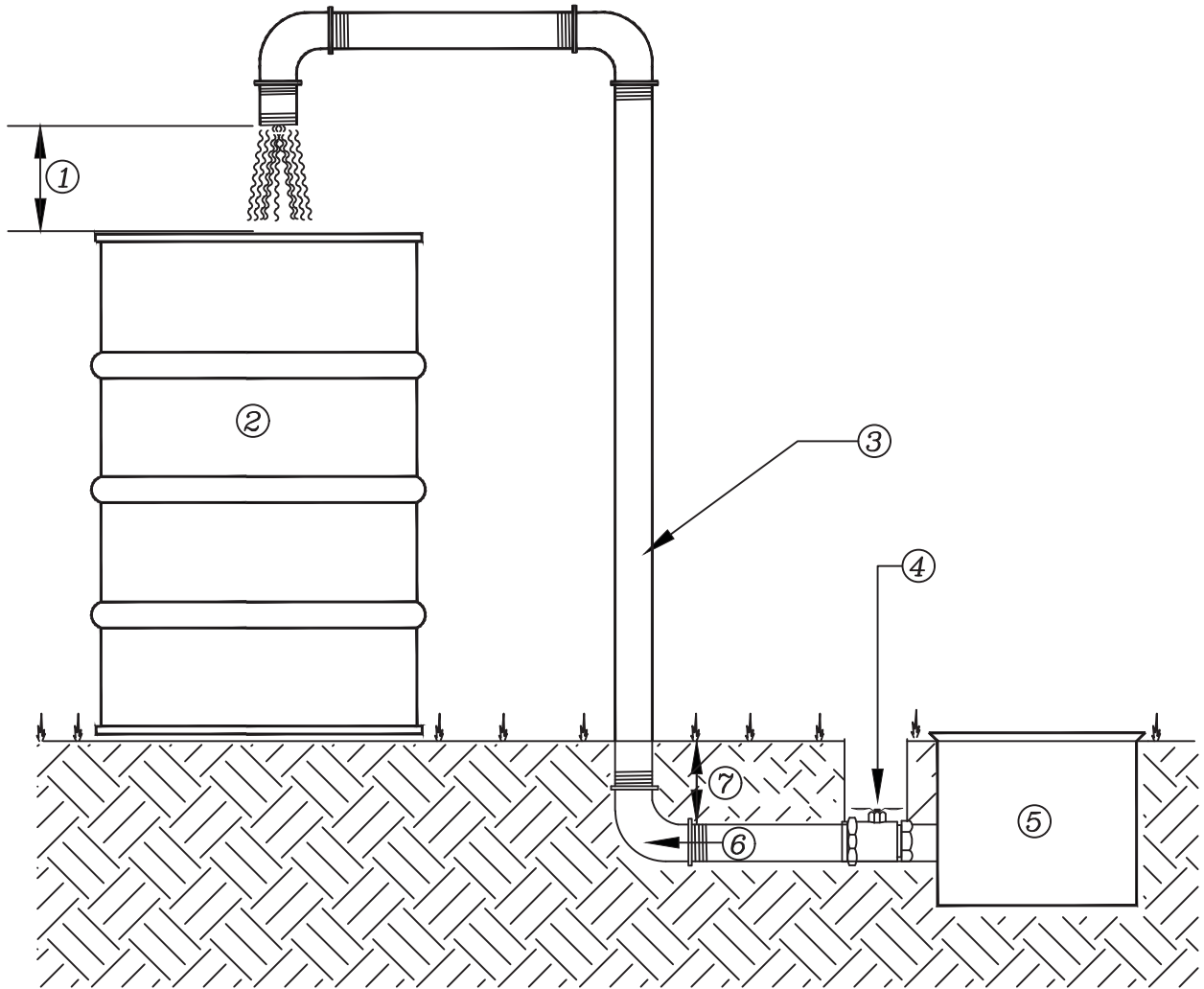


# STANDARD DETAIL NO. 6.27

## LEE COUNTY UTILITIES

### AIR GAP DETAIL

N.T.S.



- |   |                   |
|---|-------------------|
| ① 3" MIN. AIR GAP                                 | ④ CUSTOMERS VALVE |
| ② BASIN, RECEPTACLE OR<br>TANK TRUCK APPLICATIONS | ⑤ WATER METER     |
| ③ SUPPLY LINE<br>PREFERRED LOCATION               | ⑥ FLOW            |
|   | ⑦ 24" MAX.        |

NOTE:

1. AIR GAP MUST HAVE A MINIMUM SEPARATION OF TWO TIMES THE INSIDE DIAMETER OF THE SUPPLY PIPE MEASURED VERTICALLY ABOVE THE TOP RIM OF THE VESSEL, WITH A MINIMUM DISTANCE OF THREE INCHES.