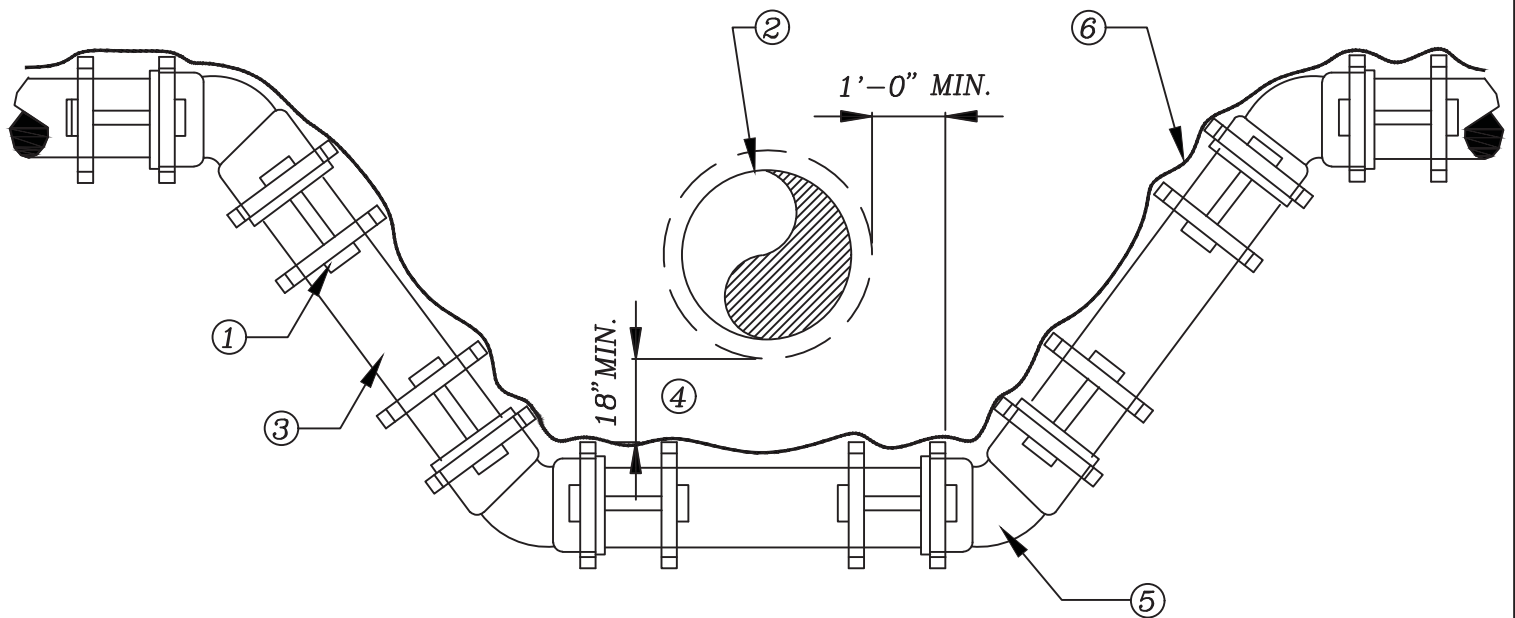


STANDARD DETAIL NO. 6.11

LEE COUNTY UTILITIES

WASTE WATER FORCE MAIN VERTICAL OFFSET WITH FITTINGS, (P.V.C.)

N.T.S.



WASTE WATER FORCE MAIN

- ① LCU APPROVED JOINT RESTRAINT FOR P.V.C., M.J. PIPE AND FITTINGS PLACED IN ACCORDANCE WITH JOINT RESTRAINT SCHEDULE. (SEE DETAIL 6.12)
- ② CONFLICT PIPE
- ③ LCU APPROVED C-900 PVC DR 14
- ④ 18" MIN. UNLESS OTHERWISE APPROVED BY LCU
- ⑤ 45° MECHANICAL JOINT FITTING, TYPICAL
- ⑥ 12 GAUGE DOUBLE INSULATED COPPER WIRE (SEE LCU STANDARD DETAIL)