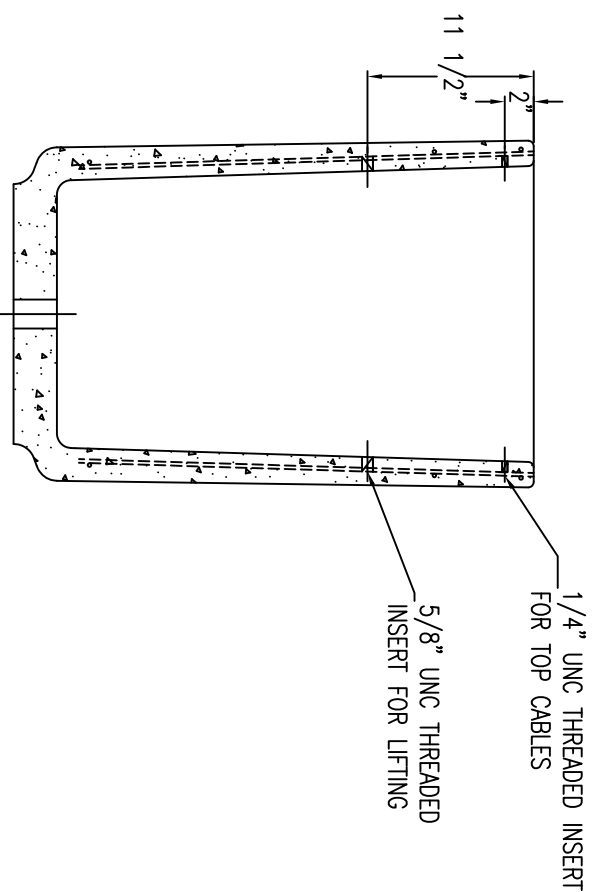
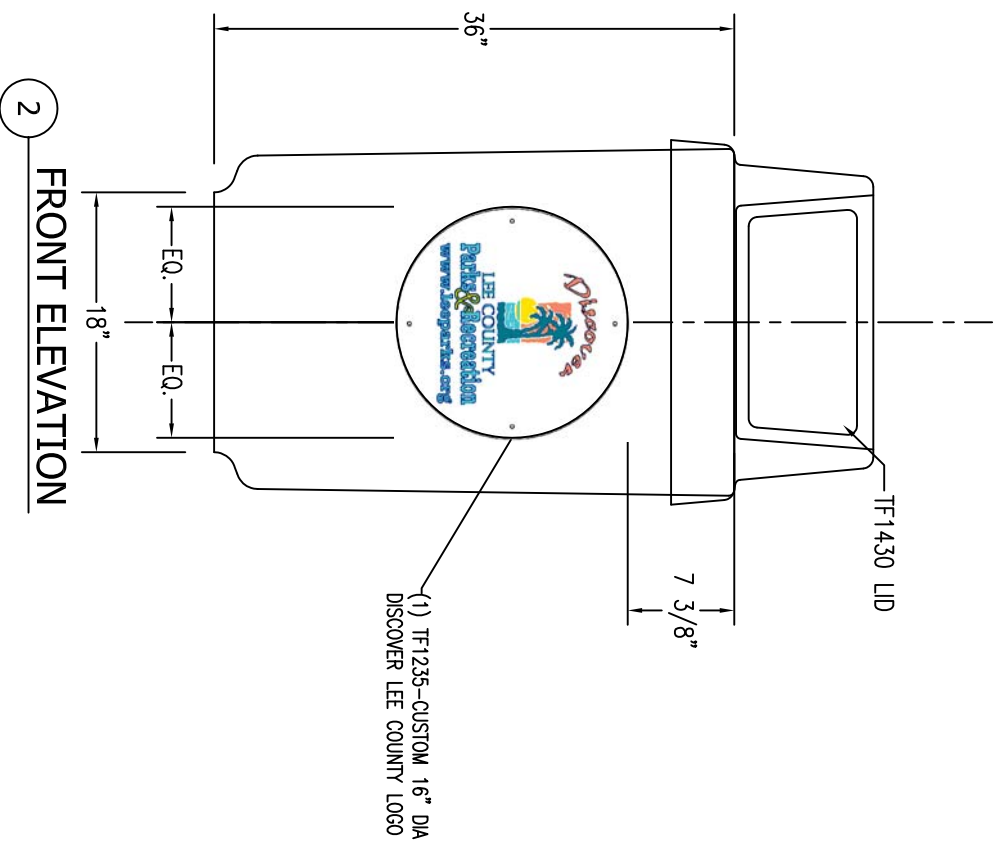


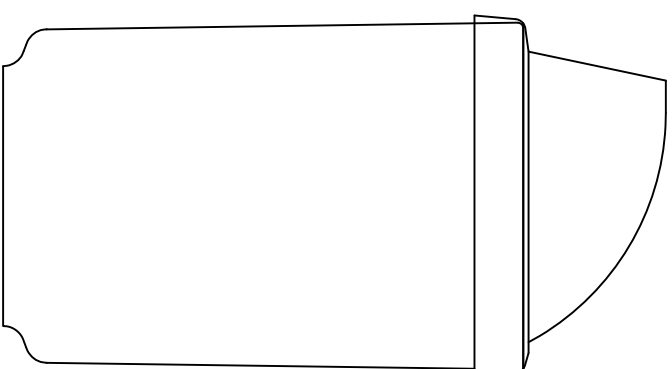
1 TOP VIEW



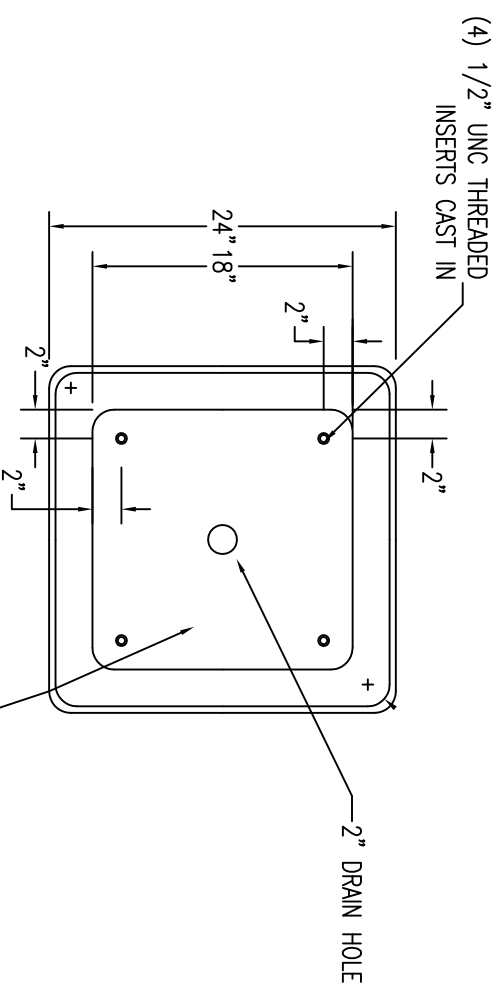
3 SECTION VIEW



2 FRONT ELEVATION



4 SIDE ELEVATION



5 BOTTOM VIEW

REVISIONS		
NAME	DATE	NOTES
1	SKD 08/7/14	ADDED CAST LOGO
2	---	---
3	---	---
4	---	---
5	---	---
6	---	---
7	---	---
8	---	---

CONFIDENTIAL INFORMATION
 THESE DRAWING, SPECIFICATIONS AND OTHER INFORMATION AND DOCUMENTS ACCOMPANYING THEM ARE THE PROPERTY OF WAUSAU TILE, INC. THE DRAWINGS THEMSELVES SHALL BELONG TO THE OWNER FOR USE ONLY ON THE PROJECT. ANY ADDITIONAL USE SHALL REQUIRE THE PRIOR WRITTEN APPROVAL OF WAUSAU TILE, INC. THE PROPRIETARY INFORMATION CONTAINED WITHIN THE DRAWINGS AND THE DOCUMENTS IS AND SHALL REMAIN THE SOLE PROPERTY OF WAUSAU TILE, INC.

SHANDLER HALL COMM CENTER
 FORT MYERS, FL

UNLESS OTHERWISE SPECIFIED DIMENSIONS ARE IN INCHES FRACTIONS ± 1/8"

DRAWN BY: TAS
 DATE: 12/27/17
 MATERIAL:
 CO NUMBER: 613612
 WEIGHT:

SIGN BELOW IF DRAWINGS ARE APPROVED W/ MARKED CHANGES
 APPROVED: _____
 DATE: _____

(SIGNATURE ABOVE ILLUSTRATES ACCEPTANCE OF DIMENSIONS SHOWN.)

SHEET NO.
 TF1030, M



P.O. BOX 1520 WAUSAU, WI 54402-1520
 800-388-8728
 E-MAIL: WILE@WAUSAUTILE.COM
 WEB SITE: WWW.WAUSAUTILE.COM