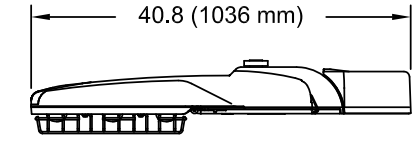
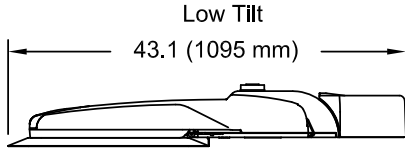
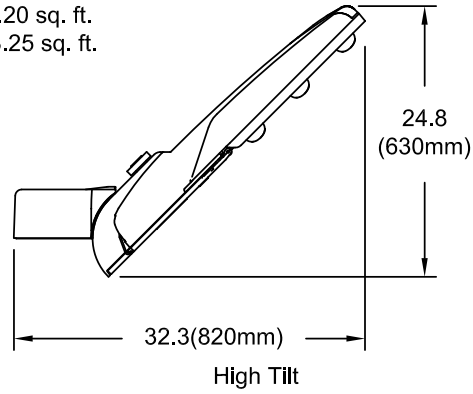


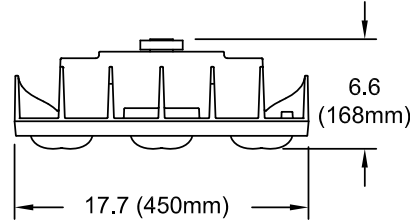
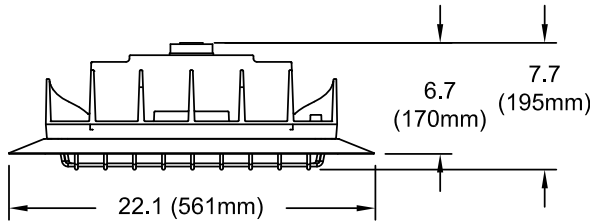
B170205TJM-EXHIBIT 1



Weight = 50 lbs
 EPA Low Tilt = 1.20 sq. ft.
 EPA High Tilt = 3.25 sq. ft.



Uplight Skirt



MONGOOSE LED™
LED Roadway Lighting

**Infrastructure
 Outdoor**



MGLED

Series Code	Number of LED'S	Color Temperature	Voltage
	4= 4 COB	3K= 3000 Kelvin	AS= 120V-277V
	5= 5 COB	4K= 4000 Kelvin	AH= 347V-480V
	6= 6 COB	5K= 5000 Kelvin	
	7= 7 COB		
	8= 8 COB		
	9= 9 COB		

Optics	Tilt Range	Mounting	Color
N = Narrow Roadway M = Medium Roadway W = Wide Roadway F = Forward Throw (Type 4) A = Area (Type 5)	H = High (27° - 45°) L = Low (0° - 18°)	V = Vertical Tenon H = Horizontal Arm A = Architectural	G = Gray H = Graphite K = Black N = Green W = White Z = Bronze

ORDERING INFORMATION:

Standard Options

NL = NEMA Label
 P3 = 3 PIN NEMA Photocontrol Receptacle
 P5 = 5 PIN NEMA Photocontrol Receptacle
 P7 = 7 PIN NEMA Photocontrol Receptacle
 DM = 0V – 10V dimmable driver
 DE = ROAM Concierge/Enterprise
 VE = ROAMview
 PCSS = DSS 120-277V Photocontrol
 PCL1 = DLL 120V Photocontrol
 PCL3 = DLL 347V Photocontrol
 PCL4 = DLL 480V Photocontrol
 PSC = Shorting Cap
 SP= Individual unit/Sample pack
 US = Uplight Skirt

Special Options *

ML=Multi-Level Dimming
 CLO = Constant Lumen Output
 *Additional information is required from the customer. Please contact Infrastructure TSG for assistance.

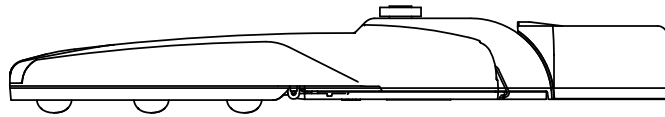
Accessories

MGLEDWG = WIRE GUARD KIT

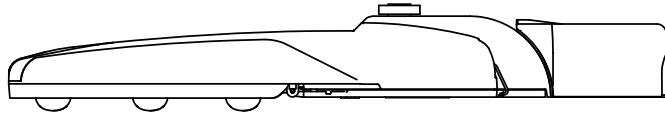
THIS DRAWING, WHEN APPROVED, SHALL BECOME THE COMPLETE SPECIFICATION FOR THE MATERIAL TO BE FURNISHED BY HOLOPHANE ON THE ORDER NOTED ABOVE. A UNIT OF SIMILAR DESIGN MAY BE SUBSTITUTED FOR THE UNIT ORDERED WITHOUT NOTICE. HOLOPHANE SHALL BE RESPONSIBLE FOR THE PROPER FIT, FINISH, AND FUNCTION OF THE MATERIAL FURNISHED. HOLOPHANE SHALL BE SUPPLIED WITH EACH ANCHOR BOLT ORDER TO MATCH THE POLE LOANED SUBJECT TO RETURN UPON DEMAND AND UPON EXPRESS WRITTEN NOTICE TO HOLOPHANE. HOLOPHANE SHALL BE RESPONSIBLE IN ANY WAY DETRIMENTAL TO OUR INTERESTS, AND ONLY IN CONNECTION WITH MATERIAL FURNISHED BY HOLOPHANE.

ORDER #:	
TYPE:	
DRAWN:	BGW
DATE:	9-29-16
DWG #:	MONGOOSE LED

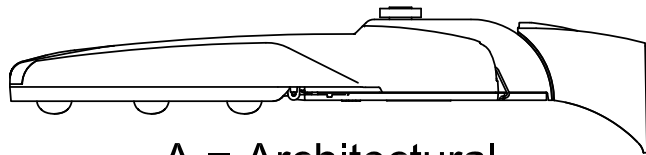
Mounting



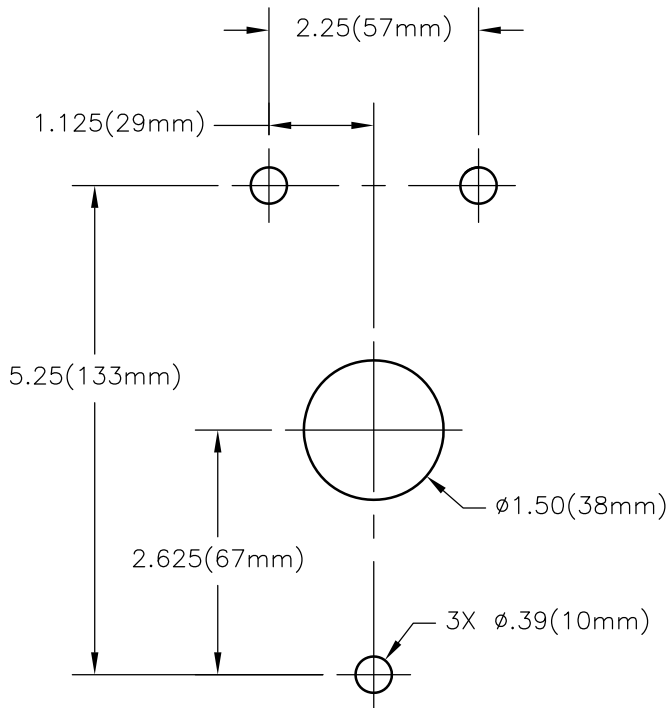
V = Vertical Tenon
Attaches to 2" Vertical Tenon



H = Horizontal Arm
Attaches to 2" Horizontal Arm



A = Architectural
Attaches to Square Pole or Tenon
Adaptor (See Pole Pattern Below)



MONGOOSE LED™
LED Roadway Lighting

**Infrastructure
Outdoor**

HOLOPHANE®
LEADER IN LIGHTING SOLUTIONS
An Acuity Brands Company
© 2010 Acuity Brands Lighting, Inc., All Rights Reserved

THIS DRAWING, WHEN APPROVED, SHALL BECOME THE COMPLETE SPECIFICATION FOR THE MATERIAL TO BE FURNISHED BY HOLOPHANE ON THE ORDER NOTED ABOVE. A UNIT OF SIMILAR DESIGN MAY BE SUBMITTED FOR CONSIDERATION. HOLOPHANE'S POLICY IS TO FURNISH THE BEST QUALITY MATERIALS AND WORKMANSHIP AT THE LOWEST COST. HOLOPHANE WILL BE RESPONSIBLE FOR THE DESIGN OF THE LIGHTING FIXTURES. HOLOPHANE WILL BE SUPPLIED WITH EACH ANCHOR BOLT ORDER TO MATCH THE POLE PROVIDED. THIS PRINT IS THE PROPERTY OF HOLOPHANE AND IS LOANED SUBJECT TO RETURN UPON DEMAND AND UPON EXPRESS WRITTEN NOTICE. HOLOPHANE WILL NOT BE RESPONSIBLE IN ANY WAY DETRIMENTAL TO OUR INTERESTS, AND ONLY IN CONNECTION WITH MATERIAL FURNISHED BY HOLOPHANE.

ORDER #:	
TYPE:	
DRAWN:	BGW
DATE:	9-29-16
DWG #:	MONGOOSE LED

