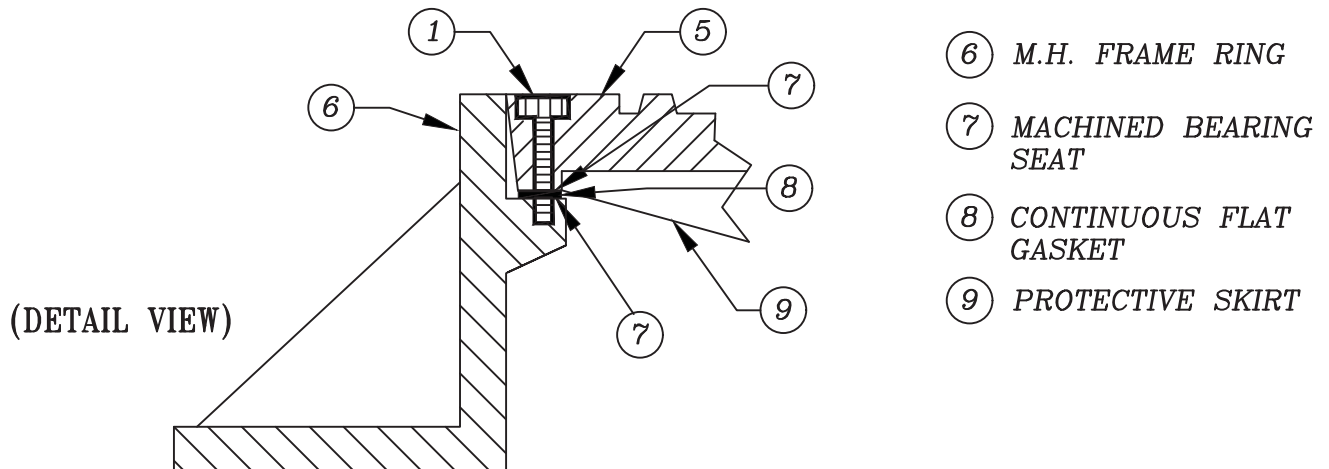
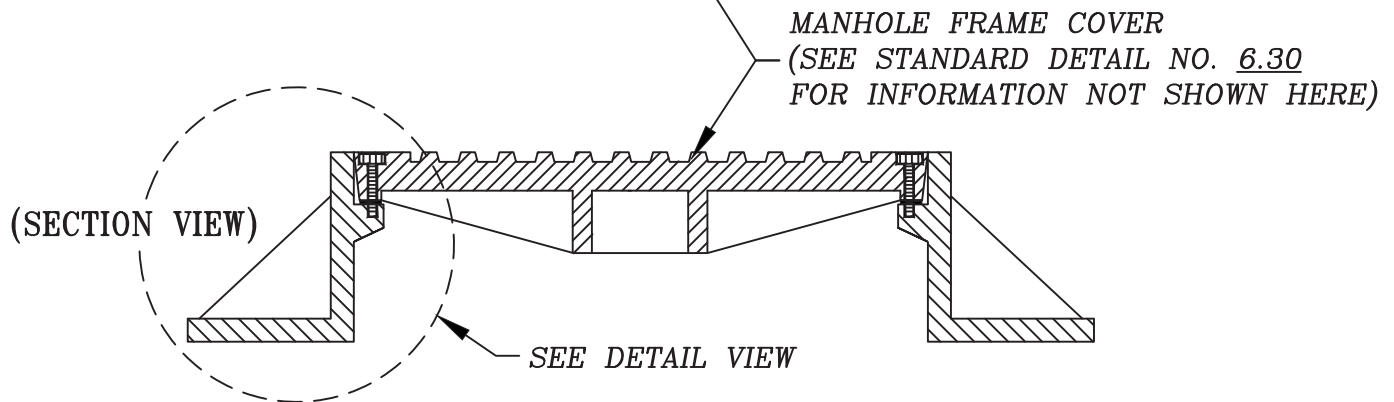
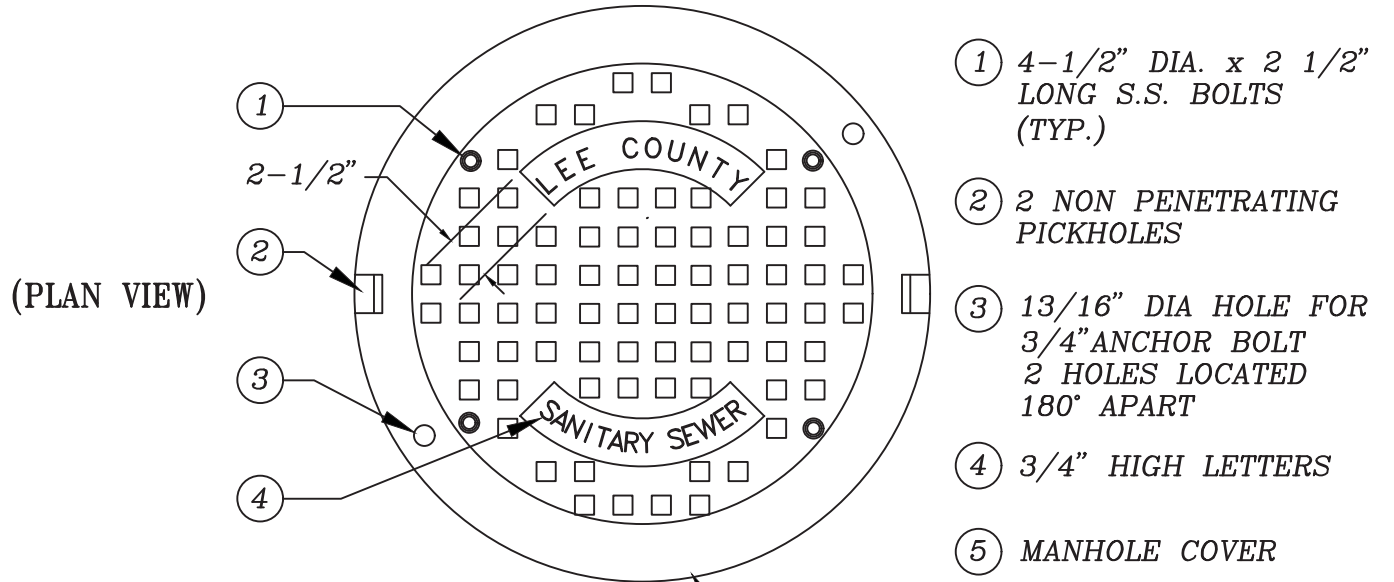


STANDARD DETAIL NO. 6.32

LEE COUNTY UTILITIES

SEALED MANHOLE FRAME COVER

N.T.S.



NOTE:
COVER WEIGHT 130 LBS (APROX.)
RING WEIGHT 195 LBS (APROX.)