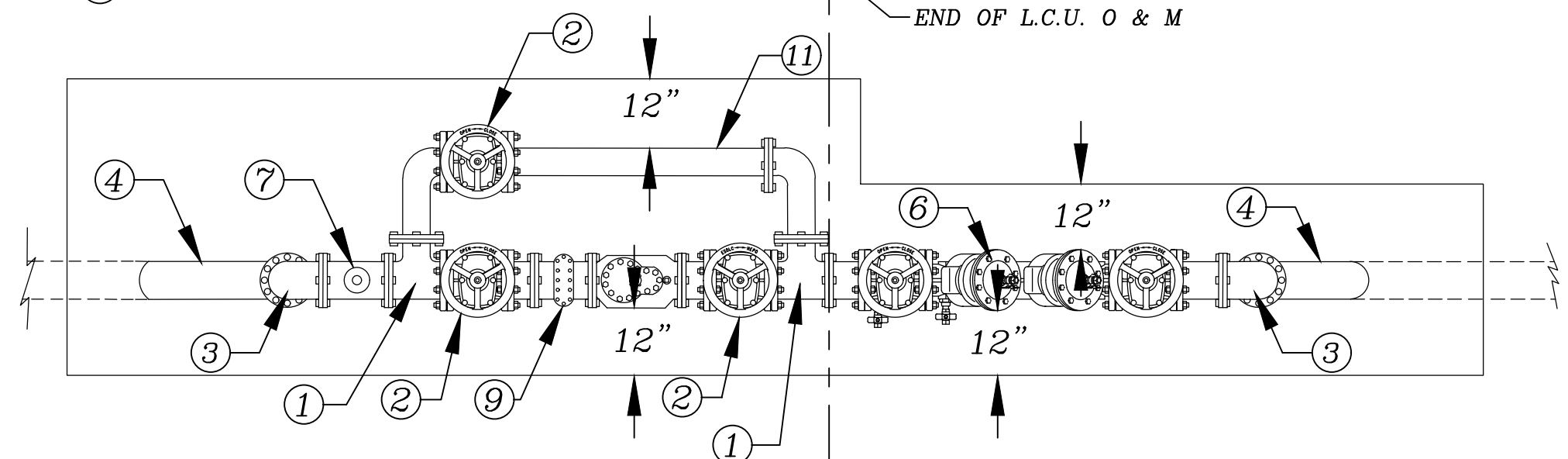
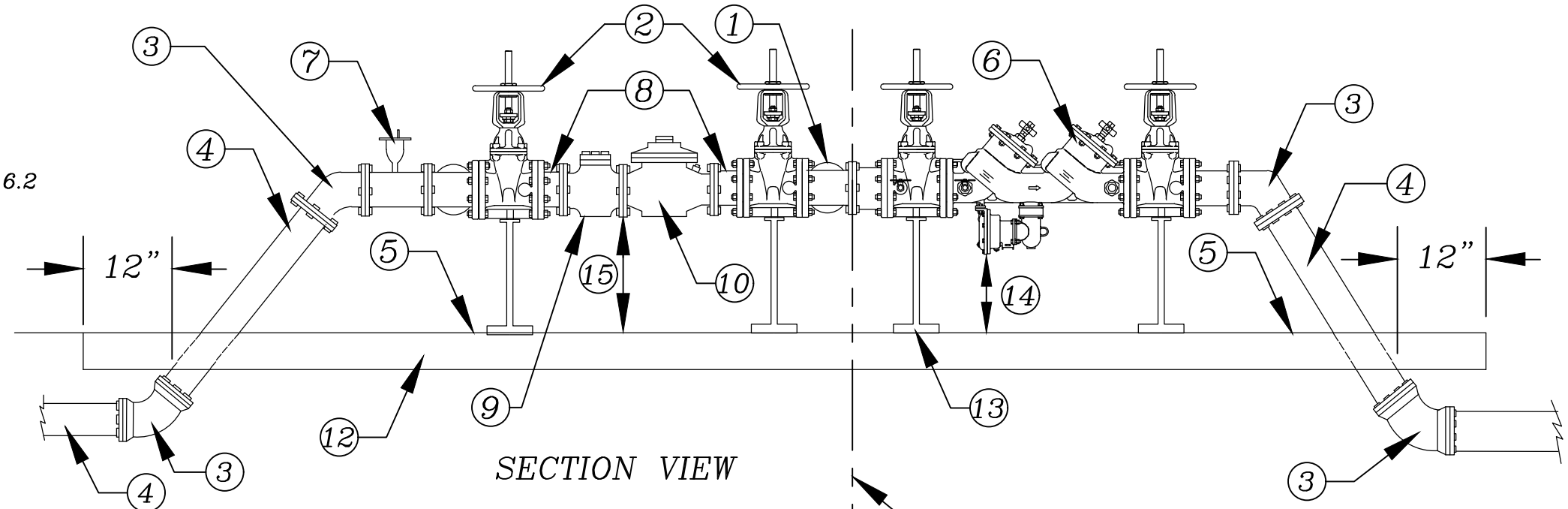
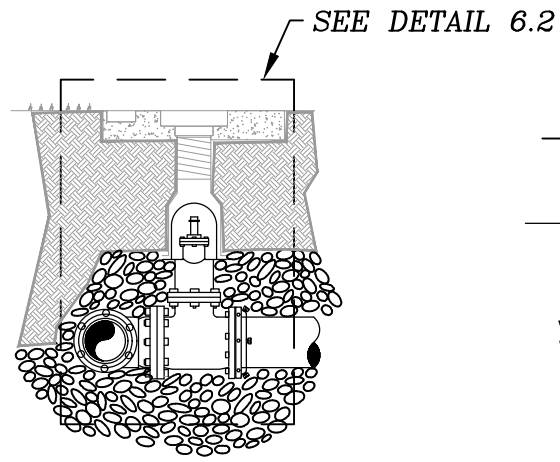


**STANDARD DETAIL NO. 6.20A
LEE COUNTY UTILITIES**

**3" OR LARGER METER
AND CROSS CONNECTION CONTROL ASSEMBLY**

N.T.S.



- ① TEE
- ② OS & Y GATE VALVE
- ③ 45° OR 90° BEND M.J. W/ RETAINER GLANDS ABOVE GROUND FITTINGS TO BE FLANGED
- ④ ALL PIPING D.I.P.
- ⑤ FINISH GRADE
- ⑥ REDUCED PRESSURE BACKFLOW ASSY. (LEAD FREE)
- ⑦ AIR RELEASE VALVE
- ⑧ SPOOL PIECE (MIN LENGTH 4X PIPE DIA)
- ⑨ STRAINER

- ⑩ METER
- ⑪ BY-PASS LINE (FULL SIZE)
- ⑫ 4" THICK CONCRETE PAD 3000 P.S.I. MIN. ADD MESH OR REBAR
- ⑬ STAINLESS STEEL OR HOT DIPPED GALVANIZED ADJUSTABLE PIPE STANDS (SEE LCU STANDARD DETAIL 6.22)
- ⑭ 18"MIN. TO 24"MAX. FROM FINISH GRADE TO LOWEST POINT ALL FITTINGS
- ⑮ 20"MIN. TO 30"MAX. FROM FINISH GRADE TO LOWEST POINT ALL FITTINGS
- ⑯ D.I.P. TO POINT OF CONNECTION

- NOTES:
- A. USE COMPOUND METER IF FOR POTABLE WATER ONLY
 - B. USE FIRELINE METER IF FOR POTABLE AND FIRE HYDRANTS (NON-SPRINKLERED)
 - C. PAINT IN ACCORDANCE WITH LCU STANDARDS (SEE GENERAL CONDITIONS SECTION)
 - D. ALL PIPING FROM CONNECTION AND THROUGH THE ASSEMBLY SHALL BE DIP, PRESSURE CLASS 350
 - E. ALL PLANTING SHALL BE A MINIMUM OF 1.5' FROM THE EDGE OF SLAB AND SHALL PROVIDE A 3' ACCESS OPENING
 - F. TRACER WIRE REQUIRED FROM VALVE @ WM EXITING THROUGH CONCRETE SLAB NEXT TO RISER PIPE