



Lee County

Transportation

LEE COUNTY  
DEPARTMENT OF TRANSPORTATION  
SUPPLEMENTAL SPECIFICATIONS  
FOR  
TRAFFIC SIGNAL AND STREET LIGHTING

JANUARY 2023

5650 Enterprise Parkway  
Fort Myers, Florida 33905  
239.533.9500  
lcdotprojects@leegov.com  
www.leegov.com

# Contents

<b>General Notes</b> .....	<b>5</b>
<b>Section 1 - Directional Bore</b> .....	<b>11</b>
<b>1.1 General</b> .....	<b>11</b>
<b>1.2 Installation</b> .....	<b>11</b>
<b>Section 2 - Conduit</b> .....	<b>12</b>
<b>2.1 General</b> .....	<b>12</b>
<b>2.2 Installation</b> .....	<b>13</b>
<b>2.3 Termination</b> .....	<b>14</b>
<b>2.4 Illustration</b> .....	<b>14</b>
<b>Section 3 - Pull Box</b> .....	<b>15</b>
<b>3.1 General</b> .....	<b>15</b>
<b>3.2 Installation</b> .....	<b>16</b>
<b>3.3 Illustration</b> .....	<b>16</b>
<b>Section 4 - Cabinet Base</b> .....	<b>20</b>
<b>4.1 General</b> .....	<b>20</b>
<b>4.2 Installation</b> .....	<b>20</b>
<b>Section 5 - Mast Arm/upright Poles</b> .....	<b>21</b>
<b>5.1 General</b> .....	<b>21</b>
<b>5.2 Installation</b> .....	<b>22</b>
<b>Section 6 - Steel Strain Poles</b> .....	<b>23</b>
<b>6.1 General</b> .....	<b>23</b>
<b>6.2 Installation</b> .....	<b>23</b>
<b>Section 7 - Concrete Poles</b> .....	<b>24</b>
<b>7.1 General</b> .....	<b>24</b>
<b>7.2 Concrete Strain Pole Signal Supports</b> .....	<b>24</b>
<b>7.3 Installation</b> .....	<b>24</b>
<b>Section 8 - Span Wire</b> .....	<b>25</b>
<b>8.1 General - Span Wire</b> .....	<b>25</b>
<b>8.2 General - Span Wire Hanger Assembly</b> .....	<b>25</b>
<b>8.3 General - Disconnect Hanger Assembly</b> .....	<b>26</b>
<b>Section 9 - Signal Cable</b> .....	<b>27</b>
<b>9.1 General</b> .....	<b>27</b>
<b>9.2 Mast Arm - Vehicular Signal Indications</b> .....	<b>27</b>
<b>9.3 Span Wire - Vehicular Signal Indications</b> .....	<b>28</b>
<b>9.4 Mast Arm/Strain Pole - Pedestrian Signal Indications</b> .....	<b>28</b>
<b>9.5 Mast Arm - Blank-Out Signs</b> .....	<b>28</b>

9.6 Span Wire - Blank-Out Signs .....	29
9.7 Pedestal Mounted Vehicular Signal Indications .....	29
9.8 Pedestal Mounted Pedestrian Signal Indications .....	29
9.9 Cable Color Code .....	30
<b>Section 10 – Signal Heads .....</b>	<b>39</b>
10.1 General.....	39
10.2 Installation .....	39
<b>Section 11 – Pedestrian.....</b>	<b>40</b>
11.1 General.....	40
11.2 Installation .....	41
<b>Section 12 – Cabinet Assembly .....</b>	<b>42</b>
12.1 General.....	42
12.2 Installation .....	42
12.3 Standard MMU Settings.....	42
12.4 UPS and Transfer Switches for Traffic Signals.....	44
12.5 UPS Alarm Wiring and Settings.....	44
<b>Section 13 – Traffic Signal Electric Service .....</b>	<b>45</b>
13.1 General.....	45
<b>Section 14 – Grounding .....</b>	<b>48</b>
14.1 General.....	48
14.2 Installation .....	48
14.3 Testing.....	49
<b>Section 15 – Detection .....</b>	<b>50</b>
15.1 General.....	50
15.2 Video Detection.....	50
15.3 Radar Detection .....	50
15.4 Inductive Loops.....	51
15.5 Intersection Detection Layout.....	53
<b>Section 16 – Fiber Optic Cable (FOC) - Interconnect.....</b>	<b>54</b>
16.1 General.....	54
16.2 Installation .....	55
16.3 Testing.....	56
16.4 FOC Splice Cabinet/FOC Node Cabinet.....	57
<b>Section 17 – Network and ITS Devices.....</b>	<b>58</b>
17.1 General.....	58
17.2 Managed Field Ethernet Switch .....	58
17.3 Cellular Modem.....	59

17.4 Pan/Tilt/Zoom Cameras (PTZ) .....	59
17.5 Radios .....	60
17.6 Bluetooth Travel-Time Device .....	60
17.7 Microwave Vehicle Detection System (MVDS).....	61
<b>Section 18 – Flashers/Rectangular Rapid Flashing Beacon (RRFB) .....</b>	<b>62</b>
18.1 General.....	62
18.2 Traffic Controller Activated - Advanced Warning Flasher .....	62
18.3 Warning Flasher .....	63
18.4 School Flasher .....	64
18.5 Rectangular Rapid Flashing Beacon (RRFB) .....	65
<b>Section 19 – Overhead Signs.....</b>	<b>67</b>
19.1 General.....	67
19.2 Static Signs.....	68
19.3 Illuminated Street Name Signs .....	68
19.4 Blank out signs .....	69
<b>Section 20 – Intersection Lighting.....</b>	<b>70</b>
20.1 General.....	70
20.2 Installation .....	71
<b>Section 21 - Roadway Street Lighting .....</b>	<b>72</b>
21.1 General.....	72
21.2 Installation .....	73
21.3 Load Center .....	74
21.4 Load Center Illustration.....	75
<b>Grout Pad with Drain Hole .....</b>	<b>76</b>

## General Notes

### Traffic Signals & Street Lighting Work within Lee County

The following pertains to all traffic signals/street lighting work, either in conjunction with a road project or a “free standing” electrical project. These notes apply to all traffic signal projects where existing equipment is maintained and/or any new equipment will be maintained by Lee County or unless otherwise noted on project plan sheets and indicated as approved by Lee County.

Before any project work begins there shall be a maintenance transfer (forms follow general notes). The maintenance will transfer from Lee County DOT/Traffic to an FDOT qualified electrical contractor no later than the day before the project begins. The contractor is required to have an authorized representative on-site to accept the maintenance transfer and to witness to existing condition of the traffic signal or street lighting system.

Any deficiencies that may be found on the day of the maintenance transfer shall be repaired by Lee County Traffic at that time. After any deficiencies have been corrected on the day of the transfer, any and all deficiencies found from that day and time shall be the responsibility of the contractor.

- 1. Notifications:** Prior to the start of any construction of Traffic Signals, Street lighting, RRFBs, Flashers, School Flashers, and ITS Devices, Lee County DOT Traffic shall be notified via email [LCDOTProjects@leegov.com](mailto:LCDOTProjects@leegov.com) at least Ten (10) business days prior.
- 2. Preliminary Product and Equipment Data Submittals:** Prior to installation or within thirty (30) days after the preconstruction meeting, whichever comes first, submit to Lee County DOT Traffic for approval, a completed submittal package that includes the following. All traffic control signals, devices, and hardware that will be used on the project. Shop drawings for structural support material and other special designs, such as non-electrical, non-mechanical, or other fabricated items which may not be specifically detailed in the plans via email [LCDOTProjects@leegov.com](mailto:LCDOTProjects@leegov.com)

3. **Qualifications:** Minimum qualifications for personnel supervising or performing work involving electrical or solar power traffic control devices and related components.
- A. **Traffic Signal Cabinet Wiring:** Work must be performed by an employee of the Contractor that holds a current IMSA Traffic Signal Field Technician Level II certification or higher; and Must be present at the final inspection of the project.
  - B. **Traffic Signal Electrical Service:** Work must be performed by or in the presence of and under the responsible charge of an employee of the licensed electrical Contractor and that holds a current IMSA Traffic Signal Field Technician Level II certification or higher.
  - C. **RRFB, Flashers, and School Flashers:** Work must be performed by an employee of the Contractor that holds a current IMSA Traffic Signal Field Technician Level II certification or higher; and Must be present at the final inspection of the project.
  - D. **ITS Devices:** Work must be performed by an employee of the Contractor that holds a current IMSA Traffic Signal Field Technician Level II certification or higher; and Must be present at the final inspection of the project.
  - E. **Street Lighting:** Work must be performed by or in the presence of and under the responsible charge of an employee of the licensed electrical Contractor and that holds a current IMSA Roadway Lighting Technician Level I certification or higher.

4. **Contractor Transfer of Maintenance Responsibilities:**

- A. Fully maintain all traffic control devices located within the Project limits, including any interconnect, preemption, system/advanced loops, and ITS Devices, beginning on the date of the Notice to Proceed or the date Contractor has begun any work on any portion of the Project, whichever is sooner, through and including the date of Final Acceptance by the County subject to any additional Contractor Warranty and Burn-in Period requirements. Investigate all inquiries, complaints or requests made by the County or the Public and immediately initiate all required repairs.
- B. Notify Lee County DOT Traffic of intent to begin any physical construction work on the Project or any portion thereof. This notification must be a minimum of seven (7) working days prior to the start of construction to allow sufficient time for Contractor to conduct an inspection of the existing traffic control device installation(s). In the event any deficiencies are noted by Contractor, at the County's option, they are to be repaired by Lee County DOT Traffic or documented on the "Transfer of Maintenance" form. If work is started prior to the inspection, maintenance of the traffic control device(s) will immediately be transferred to Contractor without an inspection. Contractor is then responsible for repairing or replacing all equipment that is not operating properly or is damaged at no cost to the owner of the traffic control device.

**5. Emergency and Non-Emergency Repairs:**

- A.** Provide Lee County DOT Traffic minimum two (2) contact names and (24-hour) telephone numbers. Contractor must provide sufficient qualified personnel to respond to all notifications of malfunctions on a round-the-clock basis (24 hours a day, 7 days a week).
- B.** Maintain and make available to Lee County DOT Traffic a time and date log of each response from the time of the initial report to the time of final permanent repair.
- C.** When a signal malfunction occurs, Contractor must respond within two (2) hours of notification and repair the traffic signal so that it is operating in a safe manner within four (4) hours of initial notification. Contractor is responsible for the permanent repair within 24 hours, and must notify the County immediately upon completion of the repairs. If Contractor fails to respond within two (2) hours, the County reserves the right to either repair the malfunction or employ alternate personnel and charge all costs incurred by the County to the Contractor.
- D.** Authorized County personnel may, at any time, enter the controller cabinet in order to modify timing or restore any and all signal equipment to proper operation if the malfunction or non-function of such equipment poses a hazard or inconvenience to motorists or pedestrians. Such authorized entry may occur at any time within the period of the contract, and such authorized entry will in no way relieve the Contractor or manufacturer of their respective warranties.

**6. Emergency Repairs:**

- A.** During the Transfer of Maintenance period, the following will be considered an Emergency unless otherwise identified by Lee County DOT Traffic:
  - i.** Any hazardous condition;
  - ii.** Any malfunction of a controller and its accessory equipment; or
  - iii.** Any Site condition, equipment malfunctions or damage, which in the opinion of Lee County DOT Traffic constitutes a serious hazard or inconvenience to the public.
- B.** Contractor must dispatch personnel to undertake each such repair no later than thirty (30) minutes after the County notifies Contractor of the Emergency. Personnel responding must arrive within one (1) hour after notification and immediately proceed to make the site safe.

- 7. Locates:** One (1) courtesy locate shall be performed by Lee County Signals at the start of the project at the contractor's request. The contractor shall document the location of the existing underground and above ground facilities. After the courtesy locate, all locates within the project limits are the responsibility of the contractor and shall be performed in a timely manner. Timely manner in response to locates is defined as, locate shall be performed no later than twenty-four (24) hours after notification or as required by Florida Statute. Lee County Signals will advise the contractor via e-mail or fax of Sunshine Locate requests within the work zone. Any damage incurred due to contractor failure to locate shall be repaired by the contractor. Should Lee County forces be called out to make repairs due to contractor refusal or inability to make repairs, the contractor will be billed the entire cost as a "deduct" on the next payment request and will trigger a "vendor/contractor complaint" notice to be filed with Lee County Contracts as well as FDOT. Being an "out of town" contractor does not relieve this responsibility.
- 8. Damage to existing facilities:** Any damage to Lee County facilities shall be repaired by the contractor. Repairs shall be made to ensure facilities are like or better. Any damage to existing communication lines shall necessitate the removal of all damaged lines and the re-pulling of new cable. Splicing of communication lines will not be allowed. Caution shall be exercised during excavation near existing Lee County fiber optic lines, since many entities use these facilities. Should damage occur to fiber optic lines, Lee County will decide which qualified fiber optic splicing company will be used to make repairs. The contractor will be responsible for all repair costs incurred, whether repairs are made by Lee County or a third party.
- 9. Existing Equipment:** Equipment shall be returned to Lee County DOT/Traffic in good operating condition and in the same condition as on the day of the maintenance transfer at 5650 Enterprise Parkway, Fort Myers, FL 33905 and in a timely manner. Timely manner for existing equipment is defined as no later than 72 hours after disconnection. The contractor shall notify Lee County of the disconnection 24 hours in advance to schedule the delivery of the equipment so that delivery takes place during a regular business day and hours. Failure to perform as outlined in this paragraph will result in no inspection at completion until contractor is in compliance with this requirement. Lee County Signals will withhold payment requests until Lee County property is delivered to 5650 Enterprise Parkway, Fort Myers, FL 33905.
- 10. Cabinet/Controller/Video Detection Prep:** Lee County Signals will assist the contractor in the setup of new signal cabinet/controllers/cameras when the following conditions are met: delivery of equipment to 5650 Enterprise Parkway, Fort Myers, FL 33905 by contractor or shipper. The contractor shall send a qualified technician to the signal shop to setup the equipment with the aid of a senior signal technician, giving a minimum of 48 hours' notice. After setup, the contractor shall arrange to pick up the equipment within one week. At time of removal from the Lee County Signal shop, the equipment shall be signed out by the contractor representative as complete. Lee County will not store contractor equipment. Under these conditions, Lee County Signals will assist the contractor on "turn on" day in the field. Should the contractor elect to setup, burn in, and test the equipment without Lee County assistance, a manufacturer's representative shall be onsite at the contractor's expense, on the day of turn on to assist the contractor and to verify proper operation.



**11. Special note regarding new controllers:** Lee County reserves the right to substitute different control equipment in the event that delivered equipment is not compatible with the existing system. Since system upgrades may be behind controller technology, as the maintaining agency, Lee County Signals will decide equipment placement, timing and may provide an alternate controller temporarily until future upgrades are made. If there is a cost differential, Payment will be made to the contractor per plan quantity and specification.

**12. Temporary Detection and maintenance:**

Contractor shall provide and maintain fully actuated vehicle detection at existing, temporary, and new signalized intersection for the duration of the entire project.

Several options are available to the contractor for temporary vehicle detection:

1. Maintain and/or recut loops as necessary.
2. Install contractor owned temporary video detection.
3. Install the permanent cameras that may be called out on the plans for temporary use during construction. The contractor can relocate these cameras to their permanent location at the appropriate time. Should the contractor choose option 3, Lee County will not be responsible for any damage to the video cameras during the project. The cameras shall be subject to final inspection and shall be in good working order.

Additionally, all existing signal phases, any phases active during construction, and all new or modified phases resulting from new construction shall have detection fully maintained and operational during the duration of the project. Only detection approved by Lee County DOT Traffic and operates properly in the “presence” mode may be used. **Motion detection such as microwave pulse detection is prohibited.**

No additional compensation will be allowed, unless specifically called out in the plans for any of the above options. **Microwave detection or pulse detection shall not be used in Lee County for presence detection due to operational problems and failure to detect stopped vehicles.**

**13. New Signals or SOP:** All new signals or existing signals with a new SOP shall have VMS boards on all approaches 48 hours prior to Pre Flash, Full Operation, or New SOP. Lee County DOT Traffic representative shall be present for: Flash Mode activation, Full operation, or New SOP.

**14. Pre Flash:** Prior to activating flash mode at new signals, inspection will be required to ensure the intersection is ready to be energized. Activation of Flash mode shall be done on Monday, Tuesday, Wednesday, or Thursday between the hours of 9:00 AM – 11:00 AM. Place all new signal installations (no existing signals) in flash for a minimum of 72 hours not to exceed 168 hours unless EOR or Lee County DOT Traffic approves in writing. If signal cannot go into full operation after 168 hours the signal must be turned back off and signal indications covered.

**15. Full Operation:** Once the pre flash requirement has been satisfied, the intersection can be placed into full operation unless Prime contractor or Lee County DOT Traffic states otherwise in writing. Full operation shall be done on Tuesday, Wednesday, or Thursday between the hours of 9:00 AM – 11:00 AM unless falls on a Holiday or special events.

## 16. Traffic Signal & Street lighting Inspections:

- A. All traffic signal & street lighting inspections must be scheduled via email at [LCDOTProjects@leegov.com](mailto:LCDOTProjects@leegov.com) two weeks in advance of scheduled pre-flash activation, Full operation, SOP change, Final inspection, punch list inspections.
- B. The vendor shall configure all video/radar detection before the final inspection takes place, failure to do so will result in rescheduling of the inspection.
- C. Intersection shall be to final configuration prior to scheduling final inspection.
- D. Contractor is required to be present and/or have an authorized representative on all formal inspections. Contractor shall have all necessary equipment to complete the inspections onsite at all signal and lighting inspections. Failure to have a representative onsite will result in the cancellation of the inspection and the withholding of final payment. Authorized representative is a person with knowledge and ability to make corrections as needed. This is a requirement and is necessary to eliminate costly re-inspections and to speed up the close out of the project.

**17. As-Built Drawings:** When construction is complete, as a condition precedent to final acceptance, provide signed and sealed As-Built Drawings, either by a State of Florida licensed professional engineer or a professional surveyor and mapper contractor shall provide a set of "as-built" plans in electronic form (pdf) to: [LCDOTProjects@leegov.com](mailto:LCDOTProjects@leegov.com)

**18. Warranty:** Contractor's responsibility for warranty repairs, warranty replacement, troubleshooting, or other costs associated with repair or replacement of traffic control signals and devices within the Contract's project limits will terminate 90 days after Final Acceptance.

**19. Drill Shaft:** Mast arm drill shaft inspections are required before concrete placement. Please refer to the most current FDOT standard specifications for drilled shaft installation, which require an FDOT certified drilled inspector to be onsite during the entire process. Use casing when necessary to ensure shaft integrity. Concrete strain pole excavations will also require inspection. When using the "wethole" method, the concrete shall be placed from the bottom up, using either a concrete pump or tremie tube method or as specified in the plans by the EOR. No free falling concrete shall be allowed. All FDOT guidelines for concrete QA/QL shall be adhered to. Twenty-four (24) hours' notice is required to the inspector shown in the plan set general notes. Should the information be missing, the contractor is hereby directed to call Lee County Signals at 239-533-9500 and ask for the Signal Inspection Department.

**20. Ground Rod Pull Boxes:** Ground rods for electrical service, traffic signal cabinet, mast arms, pedestrian poles, RRFBs, and Flashers shall be installed in a minimum 8" x 8" x 12" to maximum 12" x 12" x 12" Pull Box, these pull boxes are considered **incidental** to grounding. Refer to Section 3 and Section 4 for more details.

**End of General Notes**

# Section 1 - Directional Bore

## 1.1 General

- 1.1.1 Directional bore conduit for general signalization and street lighting shall be two (2) inch continuous HDPE SDR 11 and shall be gray in color. No other conduit color can be used unless approved by Lee County DOT Traffic in writing.
- 1.1.2 Directional bore conduit for FOC Interconnect shall be four (4) each (1 - Green, 1 - Blue, 1 - Orange, 1 - Yellow) 1-1/4 inch continuous HDPE SDR 11. No other conduit colors can be used unless approved by Lee County DOT Traffic in writing.  
A minimum of #10 Orange CU THHN Stranded Copper wire shall be installed for locating purposes in the orange conduit. The Locate wire shall not be spliced in the conduit. Splices of the locate wire shall be in pull boxes and spliced with a split bolt and insulated per NEC.  
Perform continuity tests and insulation resistance tests on all locate wires and provide Lee County DOT Traffic with all test results. Replace, or repair defective locate wire at no additional cost.
- 1.1.3 All road crossings for signalization shall have a minimum of six (6) each two (2) inch conduits. (2- Signal High Voltage, 1 - PED High Voltage, 1 - Signal/PED Low Voltage, 1 - Detection, 1 - Power intersection lighting)
- 1.1.4 Potholes cut in pavement are prohibited to locate existing utilities unless approval is obtained from Engineering Service Director.
- 1.1.5 Any bores that fail, are to be removed. If removal is not possible, ends shall be cut off at a minimum depth of 36" below ground and the pipes shall be grouted.
- 1.1.6 All Conduits on Directional Bore Crossings shall be installed in one packet.

## 1.2 Installation

- 1.2.1 All road and driveway crossings shall be a minimum of 36" deep.
- 1.2.2 All holes caused by equipment shall be backfilled and match existing elevation. (Install sod if needed)
- 1.2.3 If the distance is too far to complete the bore in one attempt, then the contractor shall use reverse thread couplings to connect the HDPE conduit together.
- 1.2.4 When connecting HDPE conduit to standard PVC conduit a E-LOC coupling shall be used. Use of a standard PVC coupling is prohibited.

**End of Section 1**

## Section 2 - Conduit

### 2.1 General

- 2.1.1 Any changes to specifications must be approved by the Lee County DOT Traffic Engineer in writing.
- 2.1.2A All road crossings for signalization shall have a minimum of six (6) each two (2) inch conduits. (2- Signal High Voltage, 1 - PED High Voltage, 1 - Signal/PED Low Voltage, 1 - Detection, 1 - Power intersection lighting)
- 2.1.2B All Mast Arm Foundations shall have minimum – five (5) each two (2) inch conduit and one (1) each ( $\frac{3}{4}$ ) inch conduit. Conduit stub out location to be determined by Lee County DOT Traffic in field. Stub outs shall be a minimum of thirty (30) inches deep. **(Intersection lighting shall be separate from Standard Street lighting circuit, having 480 VAC power in a signal upright is strictly prohibited)**
- Two - 2" conduit for Signal high voltage
  - One - 2" conduit for PED high voltage
  - One - 2" conduit for power **(240 VAC maximum)** – intersection lighting
  - One - 2" conduit for detection
  - One -  $\frac{3}{4}$ " conduit for #6 awg green ground wire
- 2.1.2C All Steel Strain Pole Foundations shall have minimum – five (5) each two (2) inch conduit and one (1) each ( $\frac{3}{4}$ ) inch conduit. Conduit stub out location to be determined by Lee County DOT Traffic in field. Stub outs shall be a minimum of thirty (30) inches deep. **(Intersection lighting shall be separate from Standard Street lighting circuit, having 480 VAC power in a signal upright is strictly prohibited)**
- Two - 2" conduit for Signal high voltage
  - One - 2" conduit for PED high voltage
  - One - 2" conduit for power **(240 VAC maximum)**– intersection lighting
  - One - 2" conduit for detection
  - One –  $\frac{3}{4}$ " conduit for #6 awg green ground wire
- 2.1.2D All Concrete strain poles shall have a minimum of four (4) each two (2) inch flexible conduit. **(Intersection lighting shall be separate from Standard Street lighting circuit, having 480 VAC power in a signal pole is strictly prohibited)**
- One - 2" conduit for Signal high voltage
  - One - 2" conduit for PED high voltage
  - One - 2" conduit for power **(240 VAC maximum)** – intersection lighting
  - One - 2" conduit for detection
- 2.1.2E All Controller Cabinet Base assembly shall have minimum the following Conduits:
- Five - 2" conduit for Signal high voltage
  - Three - 2" conduit for Ped high Voltage
  - Three - 2" Ped low voltage Detection
  - Three - 2" Detection
  - Four -  $1\frac{1}{4}$ " HDPE Continuous Conduit (1 - Green, 1 - Blue, 1 - Orange, 1 - Yellow) for FOC
  - One - 2" conduit for Power Service
  - One –  $\frac{3}{4}$ " conduit for #6 awg green ground wire
  - **(Intersection lighting, illuminated Sign power wires are prohibited from being in the cabinet)**
- 2.1.2F All pedestal bases for Vehicle signal indications shall have minimum the following conduits:
- One - 2" conduit for Signal high voltage
  - One - 2" conduit for Spare/Detection if Video detection is installed
  - One -  $\frac{3}{4}$ " conduit for #6 awg green ground wire

- 2.1.2G All Pedestal bases for Pedestrian signal indications shall have minimum the following conduits:
- One - 2" conduit for Ped High Voltage
  - One - 2" conduit PED Detection (PED Low voltage)
  - One - 3/4" conduit for #6 awg green ground wire
- 2.1.2H All Pedestal bases for flashers, school flashers, and RRFBs shall have minimum the following conduits:
- One - 2" conduit for AC power/Spare
  - One - 2" conduit Spare
  - One - 3/4" conduit for #6 awg green ground wire
- 2.1.3 Where FOC interconnect conduit is called for, four (4) each (1 - Green, 1 - Blue, 1 - Orange, 1 - Yellow) 1-1/4 inch continuous HDPE SDR 11. No other conduit colors can be used unless approved by Lee County DOT Traffic in writing.  
A minimum of #10 Orange CU THHN Stranded Copper wire shall be installed for locating purposes in the orange conduit. The Locate wire shall not be spliced in the conduit. Splices of the locate wire shall be in pull boxes and spliced with a split bolt and insulated per NEC.  
Perform continuity tests and insulation resistance tests on all locate wires and provide Lee County DOT Traffic with all test results. Replace, or repair defective locate wire at no additional cost.
- 2.1.4 All street lighting conduit shall be two (2) inch minimum.
- 2.1.5 Trenched in conduit shall be PVC conduit only. HDPE conduit is strictly prohibited for trenched in conduit except for FOC interconnect.
- 2.1.6 PVC conduit shall be schedule 40 or schedule 80 approved for electrical use (gray). No thin wall conduit is allowed. Twenty (20) foot lengths on runs over twenty (20) foot shall be used.
- 2.1.7 Existing two (2) inch conduit shall not have innerduct.
- 2.1.8 Any conduit above ground shall be rigid galvanized steel conduit or Schedule 80 PVC.
- 2.1.9 High and low voltage shall be in separate conduits.
- 2.1.10 All spare conduits shall have mule tape installed.

## 2.2 Installation

- 2.2.1 Conduit shall be installed at a minimum depth of thirty-six (36) inches.
- 2.2.2 When connecting HDPE conduit to standard PVC conduit a Reverse thread coupling or E-LOC coupling shall be used. Use of a standard PVC coupling is prohibited.
- 2.2.3 All PVC conduit shall be joined together with long line couplings.
- 2.2.4 All rocks and debris shall be removed from the trench.
- 2.2.5 Backfill shall be clean and contain no rocks.
- 2.2.6 Observe maximum number of conduits allowed in a pull box per NEC. Install per standard index.

## 2.3 Termination

2.3.1 All conduits larger than ¾ inch shall have end bells installed at each end to protect the cable.

2.3.2 Both ends of all conduits shall be sealed with sufficient amount of duct seal.

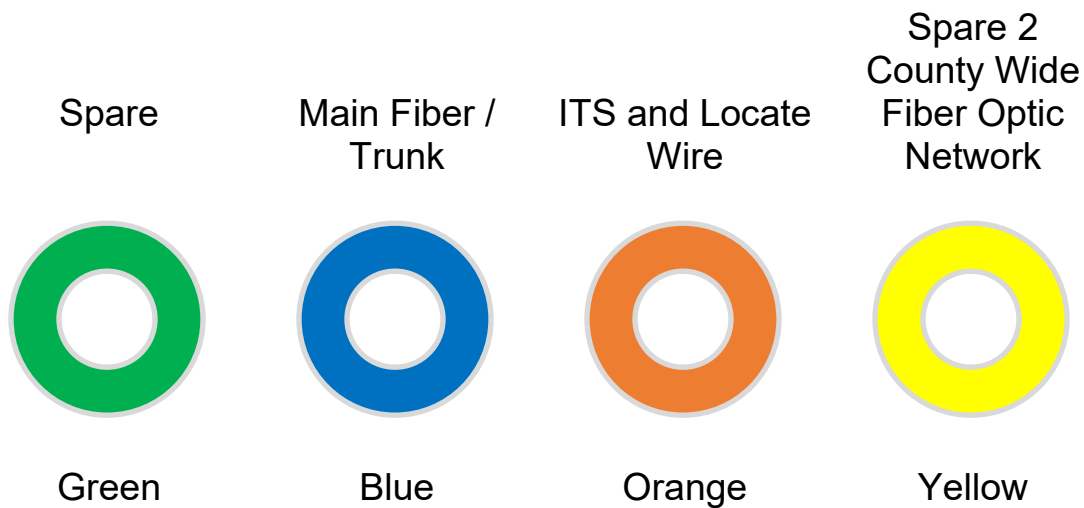
## 2.4 Illustration

### LCDOT FOC Interconnect Conduit

Four (4) each (1 - Green, 1 - Blue, 1 - Orange, 1 - Yellow) 1-1/4 inch continuous HDPE SDR 11. No other conduit colors can be used unless approved by Lee County DOT Traffic in writing.

A minimum of #10 Orange CU THHN Stranded Copper wire shall be installed for locating purposes in the orange conduit. The Locate wire shall not be spliced in the conduit. Splices of the locate wire shall be in pull boxes and spliced with a split bolt and insulated per NEC.

Perform continuity tests and insulation resistance tests on all locate wires and provide Lee County DOT Traffic with all test results. Replace, or repair defective locate wire at no additional cost.



**End of Section 2**

## Section 3 - Pull Box

### 3.1 General

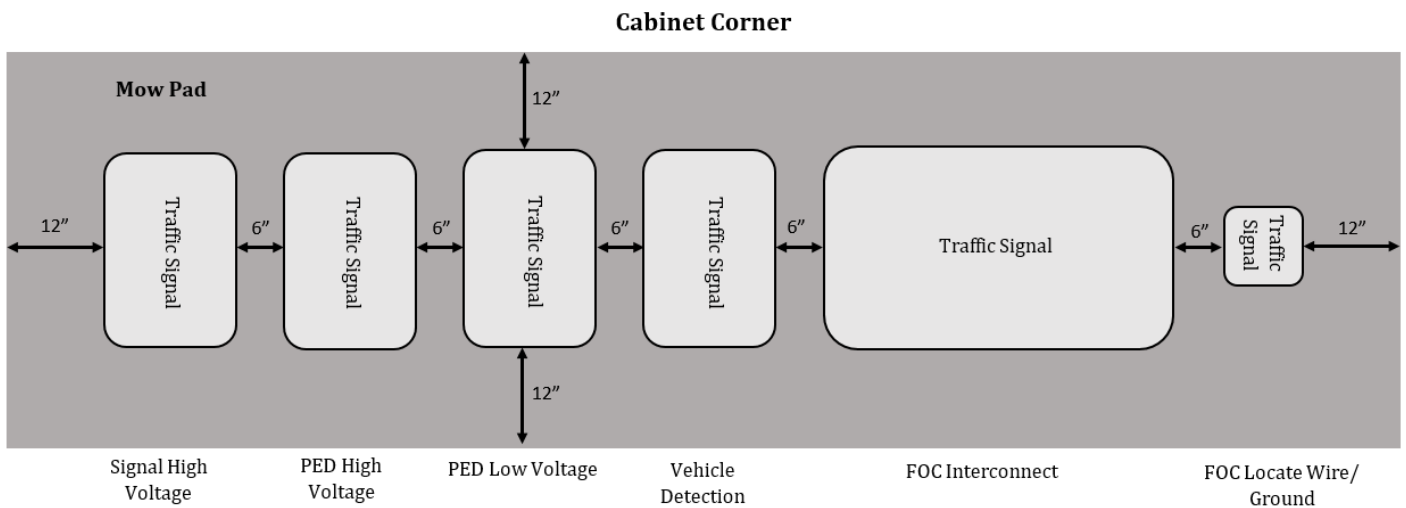
- 3.1.1 Pull boxes shall be Polymer concrete construction (Quazite), have ANSI Tier rating of T22 and design load rating of 22,500 lbs., no exceptions will be permitted. Minimum pull box size shall be as follows:
- i. Traffic Signal and Street Lighting 17" x 30" x 12" - (PG1730BA12)
  - ii. Fiber Optic Cable mid runs 24" x 36" x 24" - (PG2436BA24)
  - iii. Fiber Optic Cable Splice Vault - 30" x 60" x 36" - (PG3060BA36)
- 3.1.2 Pull box covers shall be Polymer concrete construction (Quazite), have ANSI Tier rating of T22 and design load rating of 22,500 lbs., and marked appropriately, "Traffic Signal" or "Street Lighting", no exceptions will be permitted.
- i. 17" x 30" cover - "Traffic Signal" - (PG1730HH0046), "Street Lighting" - (PG1730HH0041)
  - ii. 24" x 36" cover - "Traffic Signal" - (PG2436HH0046)
  - iii. 30" x 60" cover 2 piece - "Traffic Signal" - (PG3060HH0046)
- 3.1.3 All Ground rod pull boxes shall be Polymer concrete construction (Quazite), have ANSI Tier rating of T15 and design load rating of 15,000 lbs., and marked appropriately, "Traffic Signal", no exceptions will be permitted.
- i. 8" x 8" x 12" - (PC0808BA12)
  - ii. 8" x 8" cover - "Traffic Signal" - (PC0808HA0046)
  - iii. 12" x 12" x 12" - (PC1212BA12)
  - iv. 12" x 12" cover - "Traffic Signal" - (PC1212HA0046)
- 3.1.4 Pull boxes shall be sized to accommodate maximum number of pipes allowed per NEC and to comply with cable manufacturer's bend radius.
- 3.1.5 Distance between pull boxes on long runs shall be minimum of five hundred (500) feet and maximum of One thousand (1000) feet as determined by EOR.
- 3.1.6 For signalization, shall have a minimum of five (5) pull boxes. (1 - Signal High voltage, 1 - PED High Voltage, 1 - Signal/PED Low Voltage, 1 - Detection, 1 - Power - Intersection lighting)
- 3.1.7 Pull boxes shall not be installed in roadways or Pedestrian ramps, No exceptions will be permitted.
- 3.1.8 Pull boxes shall not be installed in sidewalk without prior approval from Lee County DOT Traffic in writing.

## 3.2 Installation

- 3.2.1 As per current FDOT specifications Section 635.
- 3.2.2 All pull boxes shall have a minimum of six (6) inches between other pull boxes.
- 3.2.3 All pull boxes shall have a concrete apron; the apron shall be minimum 1-foot wide x 6 inches deep. Apron shall be level to existing grade and have a finished edge and surface.
- 3.2.4 Pull boxes shall not be incorporated into the cabinet work pad.
- 3.2.5 Refer to acceptable Pull box layouts below Section 3.3. If layouts below do not work field adjustment is acceptable if approved by Lee County DOT Traffic in writing.
- 3.2.6 All conduits except FOC conduit shall be plumbed, centered and no lower/higher than midpoint in the pull box.
- 3.2.7 All FOC conduit shall be at forty five (45) degree angle, facing towards opposite end of pull box. Conduit shall be just past the center point of pull box and shall be no lower/higher than midpoint in the pull box. Opposing conduit runs shall be intertwined.
- 3.2.8 All pull boxes shall have a minimum of twelve (12) inch bed of rock under pull box and fill inside of pull box with (4) inches of rock. Rock shall be 57 stone (3/4" clear) or equivalent.

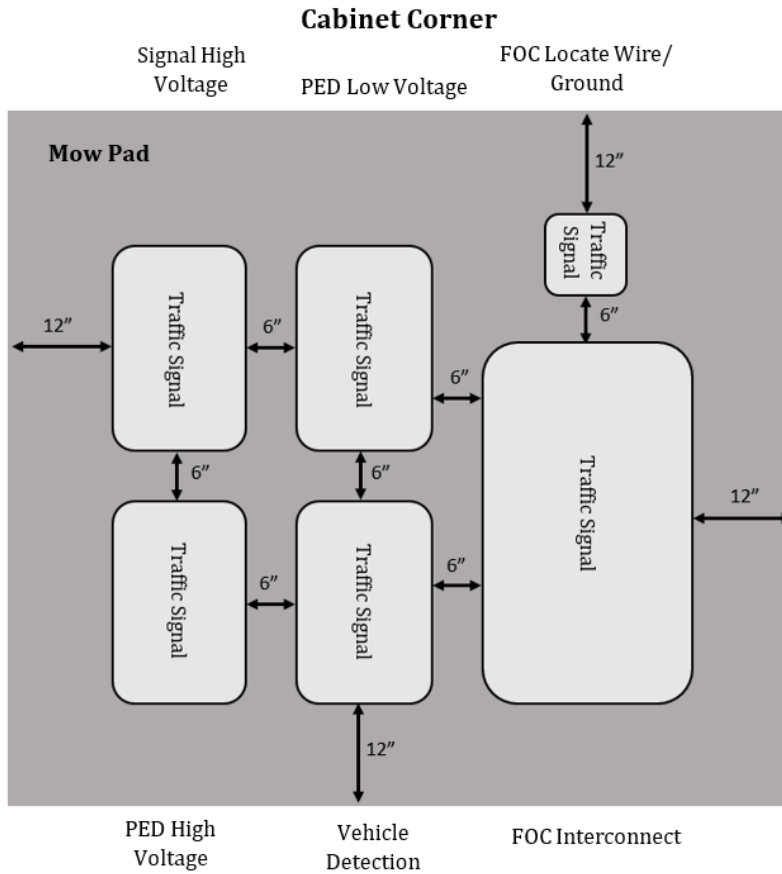
## 3.3 Illustration

### 3.3.1 Linear pull box (Cabinet Corner) illustration

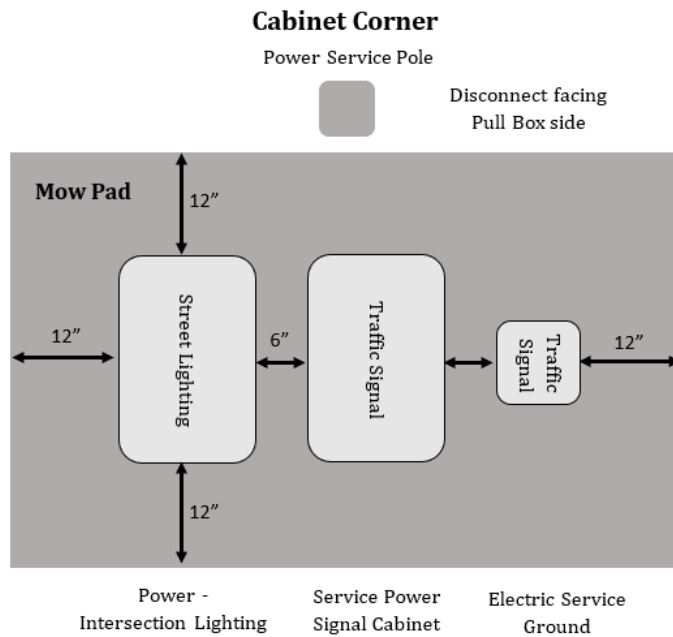




3.3.2 Quad pull box (Cabinet Corner) illustration

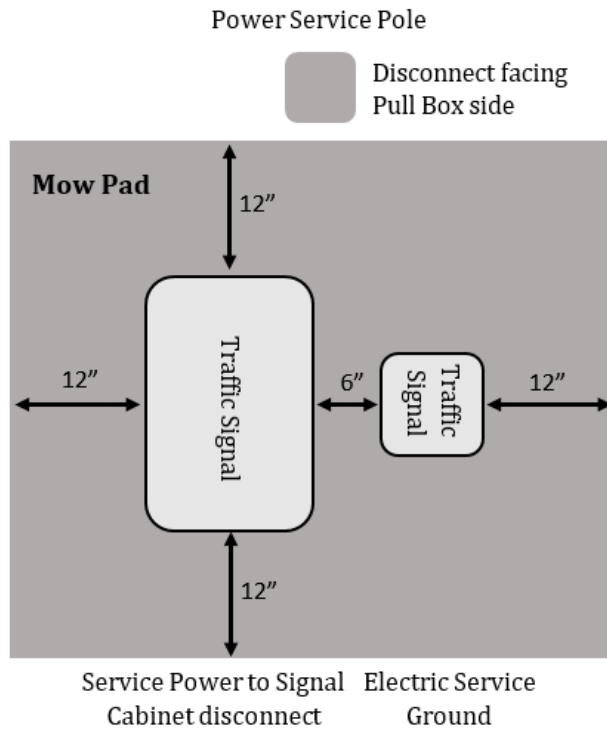


3.3.3 Electrical Service and intersection lighting power pull box illustration (Cabinet Corner)

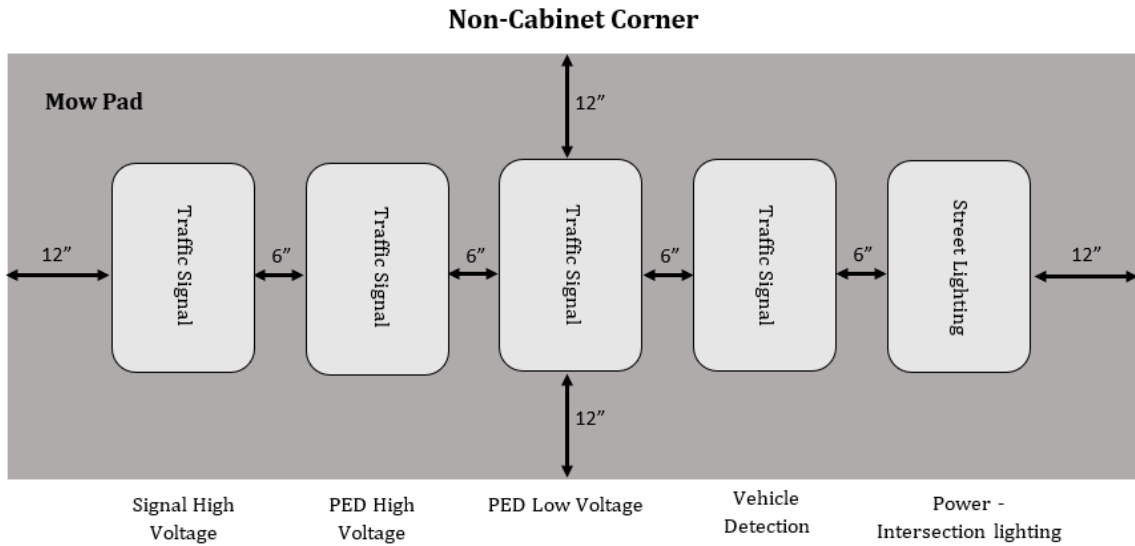


3.3.4 Main Electrical Service  
**(Used when power feed is not on cabinet corner or when power feed run is 150 feet or greater)**

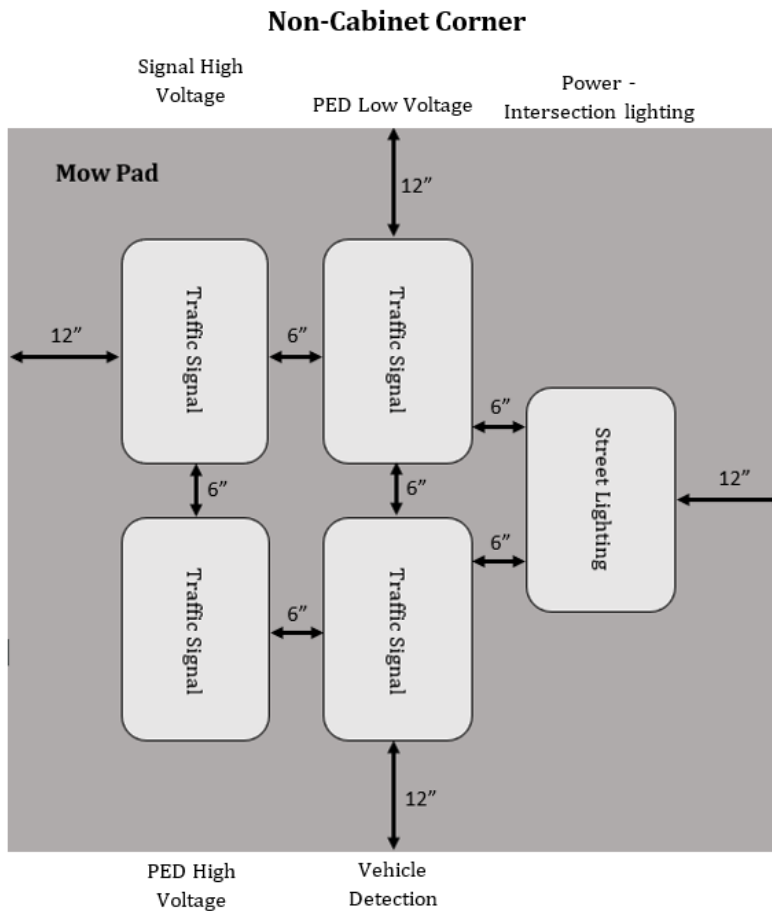
### Electrical Meter Main Disconnect



3.3.5 Linear pull box (Non-Cabinet Corner) illustration



3.3.6 Quad pull box (Non-Cabinet Corner) illustration



**End of Section 3**

## Section 4 - Cabinet Base

### 4.1 General

- 4.1.1 Cabinet base shall be Polymer Concrete construction (Quazite) and shall be 40" X 58" X 24" with a 12" x 24" Throat Opening. Quazite P/N: PB40581224B24, approved for Lee County.
- 4.1.2 Cabinet base shall be buried to manufacturer's recommended depth.
- 4.1.3 Signal cabinet shall not be placed in drainage slopes, swales, or where sheet water can intrude.
- 4.1.4 There shall be a six (6) foot level clear zone surrounding the cabinet base.
- 4.1.5 Cabinet work pad shall be poured in place on signal cabinet access side of base. It shall be the length of the base and a minimum thirty-six (36) inches wide and 6" thick with a finished edge and surface. A composite or precast pad is not acceptable.

### 4.2 Installation

- 4.2.1 Elevation of cabinet base shall be at the same elevation as the center of roadway, but no higher than twelve (12) inches above the center of roadway.
- 4.2.2 For conduit specifications, [see section 2](#).
- 4.2.3 Spare conduits from cabinet base shall terminate at closest designated pull box and shall be sealed with duct seal or capped.
- 4.2.4 All fill dirt must be compacted around the cabinet base.
- 4.2.5 Stub up conduits shall be no lower than twelve (12) inches and no higher than six (6) inches below the access opening in cabinet pad, and shall be centered within the throat opening.
- 4.2.6 Install twelve (12) inch minimum bed of rock under cabinet base and fill inside of cabinet base with six (6) inches of rock. Rock shall be 57 stone (3/4" clear) or equivalent.

**End of Section 4**

## Section 5 – Mast Arm/upright Poles

### 5.1 General

- 5.1.1 Drilled Shaft foundations for mast arms shall be installed as per proposed plan elevation and shall not be installed in drainage slopes, swales, or where sheet water can intrude the anchor bolts.
- 5.1.2 When mast arm poles are installed, the pole height shall include additional height to include street light luminaires.
- 5.1.3 No electrical services are to be attached to mast arm poles.
- 5.1.4 No controller cabinets are to be attached to mast arm poles unless approved by Lee County DOT Traffic in writing.
- 5.1.5 No terminal blocks are to be used in mast arm poles.
- 5.1.6 Astro Brackets shall not have terminal compartments.
- 5.1.7 Astro bracket hardware shall be tightened to manufacturer specifications with a torque wrench. No impact wrenched allowed.
- 5.1.8 All mast arm hardware shall be stainless steel 304 or 316.
- 5.1.9 All gusset tubes shall have the manufacturer gusset tube cap installed; shipping caps are prohibited.
- 5.1.10 Horizontally mounted 5 - section heads shall be mounted with two (2) Astro Brackets.
- 5.1.11 Single eye mesh grip strain relieves shall be used and appropriately sized to support signal cable in a mast arm upright.
- 5.1.12A Astro brackets shall be capable of being rotated 90 degrees without disassembly.
- 5.1.12B When deemed necessary some installations will require articulating Astro brackets due to angle of arms.
- 5.1.13A Base of mast arm pole shall be screened.
- 5.1.13B Structural grout pads shall be performed using the following procedure. [See procedure.](#)
- 5.1.14 Wire mesh shall be installed at the mast arm connection point of the upright that will prevent vermin and debris from entering the potential access points by overlapping the wire mesh and using bolts and washers to secure in place. **Screwing or drilling into the connection plate is strictly prohibited.**
- 5.1.15 Mast arms shall be galvanized steel only. **If painted, a maintenance agreement is required to be in place.**

## 5.2 Installation

- 5.2.1 For conduit specifications, [see section 2](#).
- 5.2.2 Conduits shall be plumbed and centered in foundation and shall be six (6) inches – ten (10) inches above the foundation. Top of the conduits shall be cut flat, not angled.
- 5.2.3 Each signal head shall have a separate cable from signal head to bottom of mast arm hand hole compartment.
- 5.2.4 A minimum of four (4) spare conductors at base of mast arm pole is required per trunk cable from cabinet.
- 5.2.5 Nut covers shall be installed on all mast arm anchor bolts.
- 5.2.6 Appropriately sized wire nuts shall be used to splice signal cable in the base of pole shall have a minimum rating of 600V, silicone filled wire nuts are not permitted.
- 5.2.7 Spare conductors from signal heads shall be under its own appropriately sized split bolt and have its own #6 awg green ground wire connected to the ground lug terminal.
- 5.2.8 Spare conductors from the trunk cable from the traffic signal cabinet shall have closed end crimp connectors installed on each individual conductor. Neatly formed and tie wrap all cable terminations. Trunk cable spare conductors shall be grounded at the traffic signal cabinet.

**End of Section 5**

## Section 6 – Steel Strain Poles

### 6.1 General

- 6.1.1 Drilled Shaft foundations for steel strain poles shall be installed as per proposed plan elevation and shall not be installed in drainage slopes, swales, or where sheet water can intrude the anchor bolts.
- 6.1.2 The design and use of two (2) piece steel signal poles is not permitted for use in Lee County.
- 6.1.3 Lee County would like a copy of all steel pole submittals and calculations sheets prior to installation.
- 6.1.4 Steel Strain Poles shall be galvanized steel only. **If painted, a maintenance agreement is required to be in place.**
- 6.1.5A Base of steel pole shall be screened.
- 6.1.5B Structural grout pads shall be performed using the following procedure. [See procedure.](#)
- 6.1.6 No electrical services are to be attached to steel strain poles.
- 6.1.7 No controller cabinets are to be attached to steel strain poles unless approved by Lee County DOT Traffic in writing.

### 6.2 Installation

- 6.2.1 For conduit specifications, [see section 2.](#)
- 6.2.2 Conduits shall be plumbed and centered in foundation and shall be six (6) inches – ten (10) inches above the foundation. Top of the conduits shall be cut flat, not angled.
- 6.2.3 Nut covers shall be installed on all steel pole anchor bolts.
- 6.2.4 A minimum of four (4) spare conductors at base of steel strain pole is required per trunk cable from cabinet.
- 6.2.5 Appropriately sized wire nuts shall be used to splice signal cable in the base of pole shall have a minimum rating of 600V, silicone filled wire nuts are not permitted.
- 6.2.6 Spare conductors from signal heads shall be under its own appropriately sized split bolt and have its own #6 awg green ground wire connected to the ground lug terminal.
- 6.2.7 Spare conductors from the trunk cable from the traffic signal cabinet shall have closed end crimp connectors installed on each individual conductor. Neatly formed and tie wrap all cable terminations. Trunk cable spare conductors shall be grounded at the traffic signal cabinet.

**End of Section 6**

## Section 7 – Concrete Poles

### 7.1 General

- 7.1.1 Concrete poles shall be installed as per proposed plan elevation and shall not be installed in drainage slopes or swales.
- 7.1.2 Concrete/flowable fill around concrete strain pole shall be kept one (1) inch below conduit entry hole.
- 7.1.3 Calculations for design shall be submitted to the Traffic Engineer for approval prior to ordering poles.

### 7.2 Concrete Strain Pole Signal Supports

- 7.2.1 Signal poles shall comply with typical drawings, as to placement of attachment points, nipple placement, hand hole and conduit entry hole shall be cut at 45° to facilitate installation of conduits. Conduit entry hole shall be properly sized to accommodate two (2) each two (2) inch conduits per each conduit entry hole for a total of four (4) two (2) inch conduits per a concrete strain pole.
- 7.2.2 It is the contractor's responsibility to ensure all concrete signal poles comply with standard design and Lee County specifications prior to installing.
- 7.2.3 Concrete poles are to be designed by the pole manufacturer to meet FDOT standards and Lee County's specifications and details. The preferred standard configuration is a "box span", however, the size of the intersection, overhead power lines, underground utilities, right-of-way limitations or other factors may impact pole placement and necessitate a "diagonal" or other configuration.
- 7.2.4 Upon installation of signal poles, if the surrounding soil has potential for cave in around the pole, the contractor shall use corrugated pipe sleeve the length of the drilled hole.
- 7.2.5 No electrical services are to be attached to concrete strain poles.
- 7.2.6 No controller cabinets are to be attached to concrete strain poles.

### 7.3 Installation

- 7.3.1 For conduit specifications, [see section 2](#).

**End of Section 7**



## Section 8 – Span Wire

### 8.1 General – Span Wire

- 8.1.1 The catenary wire shall be a minimum of 3/8" high strength grade span wire rated at a minimum of 10,000 pounds. The catenary shall be installed at the specified design sag with a minimum of 12" and a maximum of 24" separation from the bottom messenger wire.
- 8.1.2 The bottom messenger wire shall be a minimum of 1/4" extra high strength grade span wire rated at a minimum of 6,500 pounds. The bottom messenger shall be installed without SAG at the specified location on the concrete/steel pole.
- 8.1.3 2-point attachment spans shall be installed per FDOT Standards using Span wire adjustable hanger assembly with messenger clamp.

### 8.2 General – Span Wire Hanger Assembly

- 8.2.1 Proper size hanger clamps shall be used on catenary and messenger cable.
- 8.2.2 Sign hangers shall have proper size clamp for catenary and messenger cable.
- 8.2.3 Messenger clamps shall be correct size for cable used. Messenger clamps shall be 2 inches by 6 inches with two (2) each, 3/8 inch holes.
- 8.2.4 All attaching hardware for messenger wire shall be stainless steel 304 or 316.
- 8.2.5 Flat extension bar shall be used when top/bottom of hanger assembly has less than a five (5) hole overlap.
- 8.2.6 When using flat extension bar, the bar shall be staggered.
- 8.2.7 When using flat extension bar, the bar shall fully overlap top/bottom of hanger assembly.
- 8.2.8 Hanger assembly and flat extension bar shall be attached with minimum of four (4) bolt overlap using 3/8" bolts with minimum of two (2) hole spacing between the bolts.

## 8.3 General – Disconnect Hanger Assembly

- 8.3.1 Terminal blocks and Jones plugs shall be removed from each disconnect prior to installation.
- 8.3.2 Splices in disconnect shall be done by using Appropriately sized wire nuts shall be used to splice signal cable in the base of pole shall have a minimum rating of 600V, silicone filled wire nuts are not permitted.
- 8.3.3 All IMSA 19-1 signal cable outer black jacket shall extend a minimum of three (3) inches into disconnect.
- 8.3.4 Neoprene grommets shall be installed in both side of disconnects.
- 8.3.5 Cable entrances in disconnects, when not used, shall be sealed.
- 8.3.6 Tri-stud hanger shall be silicone sealed where it attaches to disconnect.
- 8.3.7 Signal cable shall be attached to the messenger by means of tie wraps and lashing rod. Lashing rod shall be proper size for signal cable and thread through the drip loop.
- 8.3.8A For box span intersections - All disconnect doors shall face on the back side of each signal head.
- 8.3.8B For diagonal span intersections - Contact Lee County DOT Traffic at [LCDOTprojects@leegov.com](mailto:LCDOTprojects@leegov.com) prior to installation for disconnect door facing.

**End of Section 8**

## Section 9 - Signal Cable

### 9.1 General

- 9.1.1 Each signal cable shall have a minimum of four (4) spare wires over the entire length on span wire installation.
- 9.1.2 Each signal cable from the controller cabinet to the mast arm hand hole compartment shall have a minimum of four (4) spare wires and be a continuous run.
- 9.1.3 Each signal phase shall have its own neutral. Sharing of a neutral is not allowed.
- 9.1.4 Each pedestrian phase shall have its own neutral. Sharing of a neutral is not allowed.
- 9.1.5 Signal head termination block is located in the yellow of the three (3) section or top yellow of a four (4) section signal head.
- 9.1.6 On mast arm installation, all signal heads shall be wired with outer jacket of the cable extending into the termination block of the signal head.
- 9.1.7 At mast arm hand hole compartment, signal cable shall have a minimum of three (3) foot of slack.
- 9.1.8 Signal cable #14 AWG stranded copper shall be used unless otherwise specified and shall meet IMSA specifications #19-1.
- 9.1.9 All pedestrian push buttons shall be wired with # 12 AWG two (2) conductor, stranded copper wire with shield and polyethylene insulation, meeting the requirements for IMSA 50-2. Each button shall have its own cable and conduit run from the signal cabinet. No splicing allowed.

### 9.2 Mast Arm - Vehicular Signal Indications

- 9.2.1 Each signal cable from the controller cabinet to the mast arm hand hole compartment shall have a minimum of four (4) spare wires and be a continuous run.
- 9.2.2 All three (3) and/or four (4) section heads shall have a minimum seven (7) conductor signal cable installed continuous from the mast arm hand hole compartment to signal head termination block.
- 9.2.3 All five (5) section heads shall have a minimum nine (9) conductor signal cable installed continuous from the mast arm hand hole compartment to signal head termination block.
- 9.2.4 Each one-way mast arm (near side or far side) shall have a minimum nineteen (19) conductor signal cable installed continuous from controller cabinet to mast arm hand hole compartment for vehicular signal indications.
- 9.2.5 Each two-way mast arm (near side or far side) shall have a minimum of two (2) - nineteen (19) conductor signal cable installed continuous from controller cabinet to mast arm hand hole compartment for vehicular signal indications.
- 9.2.6 Each one-way mast arm that includes multiple approaches (near and far side combined) shall have a minimum of nineteen (19) conductor signal cable installed continuous from controller cabinet to mast arm hand hole compartment for vehicular signal indications main approach and a minimum of a nine (9) conductor for vehicular signal indications serving different approach other than main approach.

### **9.3 Span Wire - Vehicular Signal Indications**

- 9.3.1 Each signal cable shall have a minimum of four (4) spare wires over the entire length on span wire installation.
- 9.3.2 All three (3) and/or four (4) section heads shall have a minimum seven (7) conductor signal cable installed from the signal head termination block to the disconnect.
- 9.3.3 All five (5) section heads shall have a minimum nine (9) conductor signal cable installed from the signal head termination block to the disconnect.
- 9.3.4 Each approach (near side or far side) shall have a minimum nineteen (19) conductor signal cable installed continuous from controller cabinet to the first disconnect for that approach and the nineteen (19) conductor cable shall continue through all disconnects for that approach.
- 9.3.5 All single conductors in the last disconnect shall have closed end crimp connector installed on each individual conductor. Neatly formed and tie wrap all cable terminations.

### **9.4 Mast Arm/Strain Pole - Pedestrian Signal Indications**

- 9.4.1 Each signal cable from the controller cabinet to the mast arm/strain pole hand hole compartment shall have a minimum of four (4) spare wires.
- 9.4.2 Pedestrian signal heads mounted on mast arm upright or strain pole shall have a minimum five (5) conductor signal cable installed continuous from mast arm/strain pole hand hole compartment to pedestrian signal head termination block.
- 9.4.3 Each mast arm or strain pole for pedestrian signal heads shall have a minimum seven (7) conductor signal cable installed continuous from controller cabinet to mast arm/strain pole hand hole compartment for a one (1) way pedestrian signal head. Or shall have a minimum twelve (12) conductor signal cable installed continuous from controller cabinet to mast arm/strain pole hand hole compartment for two (2) way pedestrian signal head.

### **9.5 Mast Arm - Blank-Out Signs**

- 9.5.1 Each single message or dual message Blank out sign shall have a minimum seven (7) conductor signal cable installed from mast arm hand hole compartment to blank-out sign termination block and shall have its own minimum seven (7) conductor signal cable installed continuous from controller cabinet to mast arm hand hole compartment.
- 9.5.2 Cabinet termination of Blank-out signs shall be verified with Lee County DOT Traffic prior to wiring intersection.
- 9.5.3 Blank-out signs shall not be wired with vehicular or pedestrian signal indications.

## 9.6 Span Wire - Blank-Out Signs

- 9.6.1 Each single message or dual message Blank out sign shall have a minimum seven (7) conductor signal cable installed continuous from controller cabinet to blank-out sign termination block, no splicing allowed.
- 9.6.2 Cabinet termination of Blank-out signs shall be verified with Lee County DOT Traffic prior to wiring intersection.
- 9.6.3 Blank-out signs shall not be wired with vehicular or pedestrian signal indications.

## 9.7 Pedestal Mounted Vehicular Signal Indications

- 9.7.1 All three (3) and/or four (4) section heads shall have a minimum seven (7) conductor signal cable installed from signal head termination block to pedestal base hand hole and shall have a minimum nine (9) conductor signal cable installed continuous from controller cabinet to pedestal base hand hole.
- 9.7.2 All five (5) section heads shall have a minimum nine (9) conductor signal cable installed from signal head termination block to pedestal base hand hole and shall have a minimum twelve (12) conductor signal cable installed continuous from controller cabinet to pedestal base hand hole.

## 9.8 Pedestal Mounted Pedestrian Signal Indications

- 9.8.1 All Pedestrian signal heads shall have a minimum five (5) conductor signal cable installed continuous from pedestrian signal head termination block to pedestal base hand hole.
- 9.8.2A Each one (1) way pedestrian signal head pedestal shall have a minimum seven (7) conductor signal cable installed continuous from controller cabinet to pedestal base hand hole.
- 9.8.2B Each two (2) way pedestrian signal head pedestal shall have a minimum twelve (12) conductor signal cable installed continuous from controller cabinet to pedestal base hand hole.
- 9.8.2C Each three (3) way pedestrian signal head pedestal shall have a minimum sixteen (16) conductor signal cable installed continuous from controller cabinet to pedestal base hand hole.

## 9.9 Cable Color Code

9.9.1 The following wiring color code tables below shall be used in accordance with Lee County intersection phasing standard, any variants need approval from Lee County DOT Traffic prior to wiring.

### Intersection Phasing

#### 1. When Major Road is North/South Direction, Minor Road is East/West Direction

NBLT	PHASE 1	NBT	PHASE 6	NBRT	OVERLAP A
SBLT	PHASE 5	SBT	PHASE 2	SBRT	OVERLAP C
EBLT	PHASE 3	EBT	PHASE 8	EBRT	OVERLAP B
WBLT	PHASE 7	WBT	PHASE 4	WBRT	OVERLAP D

#### 2. When Major Road is East/West Direction, Minor Road is North/South Direction

NBLT	PHASE 7	NBT	PHASE 4	NBRT	OVERLAP D
SBLT	PHASE 3	SBT	PHASE 8	SBRT	OVERLAP B
EBLT	PHASE 1	EBT	PHASE 6	EBRT	OVERLAP A
WBLT	PHASE 5	WBT	PHASE 2	WBRT	OVERLAP C

<b>Mast/Arm Span Wire Vehicle Signal Color Code</b>					
<b>3 and 4 Section Signal Heads</b>					
<b>19 Cond. Cable</b>				<b>7 Cond.</b>	<b>7 Cond.</b>
<b>#</b>	<b>Phase</b>	<b>Color/Movement</b>	<b>Color</b>	<b>3 Section LT</b>	<b>4 Section PPLT</b>
1	Ø1, Ø3, Ø5, Ø7	Red - LT Arrow	Red/Black	Solid Red	Solid Red
2	Ø1, Ø3, Ø5, Ø7	Yellow - LT Arrow	Orange/Black	Solid Orange	Solid Orange
3	Ø1, Ø3, Ø5, Ø7	Yellow - LT FY Arrow	Blue/Black	N/A	Solid Blue
4	Ø1, Ø3, Ø5, Ø7	Green - LT Arrow	Green/Black	Solid Green	Solid Green
5	Ø1, Ø3, Ø5, Ø7	Neutral - LT Arrow	White/Black	Solid White	Solid White
<b>Spares</b>					
				Solid Black	Solid Black
				White/Black	White/Black
				Solid Blue	
<b>19 Cond. Cable</b>				<b>7 Cond.</b>	
<b>#</b>	<b>Phase</b>	<b>Color/Movement</b>	<b>Color</b>	<b>3 Section Thru</b>	
6	Ø2, Ø4, Ø6, Ø8	Red - Thru	Solid Red	Solid Red	
7	Ø2, Ø4, Ø6, Ø8	Yellow - Thru	Solid Orange	Solid Orange	
8	Ø2, Ø4, Ø6, Ø8	Green - Thru	Solid Green	Solid Green	
9	Ø2, Ø4, Ø6, Ø8	Neutral - Thru	Solid White	Solid White	
<b>Spares</b>					
				Solid Black	
				White/Black	
				Solid Blue	
<b>19 Cond. Cable</b>				<b>7 Cond.</b>	<b>7 Cond.</b>
<b>#</b>	<b>Overlaps</b>	<b>Color/Movement</b>	<b>Color</b>	<b>3 Section RT</b>	<b>4 Section PPRT</b>
10	OL A, OL B, OL C, OL D	Red - RT Arrow	Red/White	Solid Red	Solid Red
11	OL A, OL B, OL C, OL D	Yellow - RT Arrow	Blue/White	Solid Orange	Solid Orange
12	OL A, OL B, OL C, OL D	Yellow - RT FY Arrow	Solid Blue	N/A	Solid Blue
13	OL A, OL B, OL C, OL D	Green - RT Arrow	Green/White	Solid Green	Solid Green
14	OL A, OL B, OL C, OL D	Neutral - RT Arrow	Black/White	Solid White	Solid White
<b>Spares</b>					
15			Solid Black	Solid Black	Solid Black
16			Black/Red	White/Black	White/Black
17			White/Red	Solid Blue	
18			Orange/Red		
19			Blue/Red		

<b>Mast/Arm Span Wire Vehicle Signal Color Code</b>					
<b>5 Section Signal Heads</b>					
<b>19 Cond. Cable</b>				<b>9 Cond.</b>	<b>9 Cond.</b>
<b>#</b>	<b>Phase</b>	<b>Color/Movement</b>	<b>Color</b>	<b>5 Section LT</b>	<b>5 Section RT</b>
1	Ø1, Ø3, Ø5, Ø7	Yellow - LT Arrow	Orange/Black	Solid Blue	
2	Ø1, Ø3, Ø5, Ø7	Green - LT Arrow	Green/Black	Solid Black	
3	Ø1, Ø3, Ø5, Ø7	Neutral - LT Arrow	White/Black	White/Black	
4	Ø2, Ø4, Ø6, Ø8	Red - Thru	Solid Red	Solid Red	Solid Red
5	Ø2, Ø4, Ø6, Ø8	Yellow - Thru	Solid Orange	Solid Orange	Solid Orange
6	Ø2, Ø4, Ø6, Ø8	Green - Thru	Solid Green	Solid Green	Solid Green
7	Ø2, Ø4, Ø6, Ø8	Neutral - Thru	Solid White	Solid White	Solid White
8	OL A, OL B, OL C, OL D	Yellow - RT Arrow	Blue/White		Solid Blue
9	OL A, OL B, OL C, OL D	Green - RT Arrow	Green/White		Solid Black
10	OL A, OL B, OL C, OL D	Neutral - RT Arrow	Black/White		White/Black
<b>Spares</b>					
11			Red/Black	Red/Black	Red/Black
12			Blue/Black	Green/Black	Green/Black
13			Red/White		
14			Solid Blue		
15			Solid Black		
16			Black/Red		
17			White/Red		
18			Orange/Red		
19			Blue/Red		

<b>Pedestal Mounted Vehicle Signal Color Code</b>					
<b>3 and 4 Section LT Signal Heads</b>					
<b>9 Cond. Cable Cabinet to Pedestal</b>				<b>7 Cond.</b>	<b>7 Cond.</b>
<b>#</b>	<b>Phase</b>	<b>Color/Movement</b>	<b>Color</b>	<b>3 Section LT</b>	<b>4 Section PPLT</b>
1	Ø1, Ø3, Ø5, Ø7	Red - LT Arrow	Solid Red	Solid Red	Solid Red
2	Ø1, Ø3, Ø5, Ø7	Yellow - LT Arrow	Solid Orange	Solid Orange	Solid Orange
3	Ø1, Ø3, Ø5, Ø7	Yellow - LT FY Arrow	Solid Blue	N/A	Solid Blue
4	Ø1, Ø3, Ø5, Ø7	Green - LT Arrow	Solid Green	Solid Green	Solid Green
5	Ø1, Ø3, Ø5, Ø7	Neutral - LT Arrow	Solid White	Solid White	Solid White
<b>Spares</b>					
6			Solid Black	Solid Black	Solid Black
7			White/Black	White/Black	White/Black
8			Red/Black	Solid Blue	
9			Green/Black		



<b>Pedestal Mounted Vehicle Signal Color Code</b>				
<b>3 Section Thru Signal Heads</b>				
<b>9 Cond. Cable Cabinet to Pedestal</b>				<b>7 Cond.</b>
<b>#</b>	<b>Phase</b>	<b>Color/Movement</b>	<b>Color</b>	<b>3 Section Thru</b>
1	Ø2, Ø4, Ø6, Ø8	Red - Thru	Solid Red	Solid Red
2	Ø2, Ø4, Ø6, Ø8	Yellow - Thru	Solid Orange	Solid Orange
3	Ø2, Ø4, Ø6, Ø8	Green - LT Arrow	Solid Green	Solid Green
4	Ø2, Ø4, Ø6, Ø8	Neutral - LT Arrow	Solid White	Solid White
<b>Spares</b>				
5			Solid Green	Solid Black
6			Solid Black	White/Black
7			White/Black	Solid Blue
8			Red/Black	
9			Green/Black	

<b>Pedestal Mounted Vehicle Signal Color Code</b>					
<b>3 and 4 Section RT Signal Heads</b>					
<b>9 Cond. Cable Cabinet to Pedestal</b>				<b>7 Cond.</b>	<b>7 Cond.</b>
<b>#</b>	<b>Overlaps</b>	<b>Color/Movement</b>	<b>Color</b>	<b>3 Section RT</b>	<b>4 Section PPRT</b>
1	OL A, OL B, OL C, OL D	Red - RT Arrow	Solid Red	Solid Red	Solid Red
2	OL A, OL B, OL C, OL D	Yellow - RT Arrow	Solid Orange	Solid Orange	Solid Orange
3	OL A, OL B, OL C, OL D	Yellow - RT FY Arrow	Solid Blue	N/A	Solid Blue
4	OL A, OL B, OL C, OL D	Green - RT Arrow	Solid Green	Solid Green	Solid Green
5	OL A, OL B, OL C, OL D	Neutral - RT Arrow	Solid White	Solid White	Solid White
<b>Spares</b>					
6			Solid Black	Solid Black	Solid Black
7			White/Black	White/Black	White/Black
8			Red/Black	Solid Blue	
9			Green/Black		

<b>Pedestal Mounted Vehicle Signal Color Code</b>				
<b>5 Section LT Signal Heads</b>				
<b>12 Cond. Cable Cabinet to Pedestal</b>				<b>9 Cond.</b>
<b>#</b>	<b>Phases</b>	<b>Color/Movement</b>	<b>Color</b>	<b>5 Section LT</b>
1	Ø2, Ø4, Ø6, Ø8	Red - Thru	Solid Red	Solid Red
2	Ø2, Ø4, Ø6, Ø8	Yellow - Thru	Solid Orange	Solid Orange
3	Ø2, Ø4, Ø6, Ø8	Green - Thru	Solid Green	Solid Green
4	Ø2, Ø4, Ø6, Ø8	Neutral - Thru	Solid White	Solid White
5	Ø1, Ø3, Ø5, Ø7	Yellow - LT Arrow	Orange/Black	Solid Blue
6	Ø1, Ø3, Ø5, Ø7	Green - LT Arrow	Green/Black	Solid Black
7	Ø1, Ø3, Ø5, Ø7	Neutral - LT Arrow	White/Black	White/Black
<b>Spares</b>				
8			Solid Black	Red/Black
9			Solid Blue	Green/Black
10			Red/Black	
11			Blue/Black	
12			Black/White	

<b>Pedestal Mounted Vehicle Signal Color Code</b>				
<b>5 Section RT Signal Heads</b>				
<b>12 Cond. Cable Cabinet to Pedestal</b>				<b>9 Cond.</b>
<b>#</b>	<b>Phases/Overlaps</b>	<b>Color/Movement</b>	<b>Color</b>	<b>5 Section RT</b>
1	Ø2, Ø4, Ø6, Ø8	Red - Thru	Solid Red	Solid Red
2	Ø2, Ø4, Ø6, Ø8	Yellow - Thru	Solid Orange	Solid Orange
3	Ø2, Ø4, Ø6, Ø8	Green - Thru	Solid Green	Solid Green
4	Ø2, Ø4, Ø6, Ø8	Neutral - Thru	Solid White	Solid White
5	OL A, OL B, OL C, OL D	Yellow - RT Arrow	Orange/Black	Solid Blue
6	OL A, OL B, OL C, OL D	Green - RT Arrow	Green/Black	Solid Black
7	OL A, OL B, OL C, OL D	Neutral - RT Arrow	White/Black	White/Black
<b>Spares</b>				
8			Black	Red/Black
9			Blue	Green/Black
10			Red/Black	
11			Blue/Black	
12			Black/White	

<b>Mast/Arm Span Wire Vehicle Signal Color Code</b>				
<b>High-Intensity Activated CrossWalk Signals (HAWKS)</b>				
<b>19 Cond. Cable</b>				<b>7 Cond.</b>
<b>#</b>	<b>Phase</b>	<b>Color/Movement</b>	<b>Color</b>	<b>HAWK</b>
1	Ø2, Ø6	Red - Left Red	Solid Red	Solid Red
2	Ø2, Ø6	Red - Right Red	Solid Black	Solid Black
3	Ø2, Ø6	Yellow	Solid Orange	Solid Orange
4	Ø2, Ø6	Neutral	Solid White	Solid White
<b>Spare</b>				
5			Solid Green	Solid Green
6			Solid Blue	White/Black
7			White/Black	Solid Blue
8			Red/Black	
9			Green/Black	
10			Orange/Black	
11			Blue/Black	
12			Black/White	
13			Red/White	
14			Green/White	
15			Blue/White	
16			Black/Red	
17			White/Red	
18			Orange/Red	
19			Blue/Red	

<b>1 way Pedestrian Signal Color Code</b>				
<b>7 Cond. Cable</b>				<b>5 Cond.</b>
<b>#</b>	<b>Phases</b>	<b>Color/Movement</b>	<b>Color</b>	<b>Pedestrian</b>
1	P2, P4, P6, P8	Don't Walk	Solid Red	Solid Red
2	P2, P4, P6, P8	Walk	Solid Green	Solid Green
3	P2, P4, P6, P8	Neutral	White	White
<b>Spares</b>				
4			Solid Orange	Solid Orange
5			Solid Black	Solid Black
6			Solid Blue	
7			White/Black	

<b>2 Way Pedestrian Signal Color Code</b>				
<b>12 Cond. Cable</b>				<b>5 Cond.</b>
<b>#</b>	<b>Phases</b>	<b>Color/Movement</b>	<b>Color</b>	<b>Pedestrian</b>
1	P2, P6	Don't Walk	Solid Red	Solid Red
2	P2, P6	Walk	Solid Green	Solid Green
3	P2, P6	Neutral	Solid White	Solid White
4	P4, P8	Don't Walk	Red/Black	Solid Red
5	P4, P8	Walk	Green/Black	Solid Green
6	P4, P8	Neutral	White/Black	Solid White
<b>Spares</b>				
7			Solid Orange	Solid Orange x2
8			Solid Black	Solid Black x2
9			Solid Blue	
10			Orange/Black	
11			Blue/Black	
12			Black/White	

<b>3 Way Pedestrian Signal Color Code</b>				
<b>16 Cond. Cable</b>				<b>5 Cond.</b>
<b>#</b>	<b>Phases</b>	<b>Color/Movement</b>	<b>Color</b>	<b>Pedestrian</b>
1	P2, P6	Don't Walk	Solid Red	Solid Red
2	P2, P6	Walk	Solid Green	Solid Green
3	P2, P6	Neutral	Solid White	Solid White
4	P4, P8	Don't Walk	Red/Black	Solid Red
5	P4, P8	Walk	Green/Black	Solid Green
6	P4, P8	Neutral	White/Black	Solid White
7	*	Don't Walk	Red/White	Solid Red
8	*	Walk	Green/White	Solid Green
9	*	Neutral	Black/White	Solid White
<b>Spares</b>				
10			Solid Orange	Solid Orange x3
11			Solid Black	Solid Black x3
12			Solid Blue	
13			Orange/Black	
14			Blue/Black	
15			Blue/White	
16			Black/Red	

<b>Blank-Out Sign Color Code</b>			
<b>Single Message “No Turn”/“⊘”</b>			
<b>7 Cond.</b>		<b>7 Cond.</b>	
<b>#</b>	<b>Message</b>	<b>Color</b>	<b>Sign</b>
1	“No Turn” Message	Solid Red	Solid Red
2	Neutral	Solid White	Solid White
3	Ground	Solid Green	Solid Green
<b>Spares</b>			
4		Solid Orange	Solid Orange
5		Solid Black	Solid Black
6		Solid Blue	Solid Blue
7		White/Black	White/Black
<b>Single Message “Yield”</b>			
<b>7 Cond.</b>		<b>7 Cond.</b>	
<b>#</b>	<b>Message</b>	<b>Color</b>	<b>Sign</b>
1	“Yield” Message	Solid Orange	Solid Orange
2	Neutral	Solid White	Solid White
3	Ground	Solid Green	Solid Green
<b>Spares</b>			
4		Solid Red	Solid Red
5		Solid Black	Solid Black
6		Solid Blue	Solid Blue
7		White/Black	White/Black
<b>Dual Message “No Turn”/“⊘”, “Yield”</b>			
<b>7 Cond.</b>		<b>7 Cond.</b>	
<b>#</b>	<b>Message</b>	<b>Color</b>	<b>Sign</b>
1	“No Turn” Message	Solid Red	Solid Red
2	“Yield” Message	Solid Orange	Solid Orange
3	Neutral	Solid White	Solid White
4	Ground	Solid Green	Solid Green
<b>Spares</b>			
5		Solid Black	Solid Black
6		Solid Blue	Solid Blue
7		White/Black	White/Black

**End of Section 9**

## Section 10 – Signal Heads

### 10.1 General

- 10.1.1 All traffic signal heads shall be black twelve (12) inch diameter aluminum housing; polycarbonate housing heads are prohibited. McCain traffic signal heads is Lee County DOT Traffic preference.
- 10.1.2 All traffic signal heads shall have one-piece black louvered aluminum retroreflective bordered backplates installed.
- 10.1.3 All traffic signal LED modules shall be twelve (12) inch Dialight Long Life 15-year full performance warranty or approved equivalent by Lee County DOT Traffic writing.
- 10.1.4 No arrow or U-turn inserts allowed, if plans call for U-turn signals, U-turn LED modules shall be used.
- 10.1.5 Hubs shall be silicone sealed to signal heads.
- 10.1.6 All signal heads, backplates, and LEDs shall be new, uniform, and from the same manufacturer for each intersection.
- 10.1.7 All signal heads shall be mounted vertical unless noted on plans or approved by Lee County DOT Traffic in writing.

### 10.2 Installation

- 10.2.1 Two (2) each ¼ inch drain hole shall be placed in bottom of each signal head.
- 10.2.2 The signal phase shall be marked in signal head.
- 10.2.3 For signal cable specifications please [see Section 9 - Signal cable](#).
- 10.2.4 Signal head termination compartment is located in the yellow of the three (3) section or top yellow of a four (4) section signal head. The IMSA 19-1 signal cable outer jacket shall extend into the termination compartment of the signal head.
- 10.2.5 Spare conductors in traffic signal heads shall have closed end crimp connectors installed on each individual conductor. Neatly formed and tie wrap all cable terminations.
- 10.2.6 Mast arm and Span wire traffic signal head clearances: Unless directed otherwise by the Engineer for unusual circumstances at the site, provide a vertical clearance of not less than 17 feet-6 inches and not more than 19 feet for traffic signals placed over the roadway. Measure such clearance for each Mast-arm/span directly under the most critical signal head including installed backplate (in regards to clearance) for that Mast-arm/span. Place signal head on each Mast-arm/span as near as practical to the same elevation as the critical signal assembly
- 10.2.7 Pedestal/side-mounted mounted Traffic Signal Head clearances: Ensure that the lowest point on pedestal-mounted and side-mounted signal heads including installed backplate is 12 feet above finished grade at the point of their installation.

**End of Section 10**

## Section 11 – Pedestrian

### 11.1 General

- 11.1.1 All pedestrian signal heads shall be black sixteen (16) inch aluminum housing with egg crate visor; polycarbonate housing heads are prohibited. Mobotrex pedestrian signal heads is Lee County DOT Traffic preference.
- 11.1.2 All pedestrian LED signal modules shall be international symbol and countdown; use of words in place of symbols are prohibited. Dialight LED module is Lee County DOT Traffic preference.
- 11.1.3 All Pedestrian heads and LED Modules shall be new, uniform, and from the same manufacturer for each intersection.
- 11.1.4 All Pedestrian Signal assembly shall be pedestal mounted, and preference is one-way.
- 11.1.5 If remote pedestrian detection station is required, they shall be pedestal mounted with breakaway base, direct buried is prohibited.
- 11.1.6 Use Pelco square breakaway base for pedestrian poles with aluminum door and ground lug (SP-1116-FL-AD-GL-PNC) or approved equivalent by Lee County DOT Traffic in writing.
- 11.1.7 All pedestal mounted pedestrian signal assemblies shall have a pole & base collar assembly (PB-5325-PNC) installed.
- 11.1.8 All attaching hardware shall be stainless steel 304 or 316.
- 11.1.9 Use Pelco pedestal spun aluminum four (4) inch Schedule 80 pole (PB-5102-X-PNC) X=Length or approved equivalent by Lee County DOT Traffic in writing.
- 11.1.10 The control face and vibrotactile arrow of APS and tactile arrow of standard pedestrian push button shall be carefully aligned with the direction of travel to the designated pedestrian ramp and crosswalk while ensuring a reach distance not to exceed 10” for wheelchair users. Incorporating the base into the curb or sidewalk is an option but would require a non-chauffeured edge base to be used.
- 11.1.11 For standard pedestrian detection, Pedestrian push button shall be a Polara momentary LED Bull Dog BDL3 with tactile arrow. **(All new intersections shall be Accessible Pedestrian System (APS))**
- 11.1.12 For Accessible Pedestrian Detection System, Polara INS 2-wire system shall be used:
- Polara INS2 iNavigator Pedestrian Station
  - Polara iCCU-S2 (TS2 configuration)
  - The INS2 Pedestrian station shall have the complete street names (to include Street, Road, Drive, etc.) programmed by Polara, and Lee County shall receive the voice files digitally.
  - Lee County DOT Traffic shall receive the voice files digitally. Send to the following email: [LCDOTprojects@leegov.com](mailto:LCDOTprojects@leegov.com)
  - Contractor shall bring iCCU-S2 and all INS2's to Lee County for programming and software upgrade if needed and program IP address. Lee County will label where each INS2 goes after being programmed.
  - For any further questions please call Lee County DOT Traffic at (239) 533-9500.
- 11.1.13 All signal controlled crosswalks shall be FDOT Special Emphasis (Hi-Emphasis).
- 11.1.14 All crosswalk ramps ADA Detectable Warning Tiles (Truncated pads) shall be wet-set.



## 11.2 Installation

- 11.2.1 Mounting height of pedestrian signal head shall be nine (9) feet six (6) inches +/- 3" above grade to bottom of head.
- 11.2.2 Mounting height of pedestrian button shall be forty-two (42) inches to center of button above grade, measured from "pedestrian landing POV". Button shall be under the head it calls.
- 11.2.3 APS control face shall be mounted to the inside of the intersection.
- 11.2.4 The control face and vibrotactile arrow of APS and tactile arrow of standard pedestrian push button shall be carefully aligned with the direction of travel to the designated pedestrian ramp and crosswalk while ensuring a reach distance not to exceed 10" for wheelchair users. Incorporating the base into the curb or sidewalk is an option but would require a non-chamfered edge base to be used.
- 11.2.5 Rosette caps and non-audible pedestrian buttons shall be sealed with silicone.
- 11.2.6 Two (2) each ¼ inch drain hole shall be placed in bottom of each pedestrian signal head.
- 11.2.7 Pedestrian crossing information sign shall be standard nine (9) inch x eighteen (18) inch and installed above the button. Each sign shall identify the crosswalk to which each button applies. The complete street names (to include St., Rd., Dr., etc.) shall be permanently printed onto the sign face.
- 11.2.8 For pedestrian signal pre-cast or Cast-In-Place base, refer to FDOT Index 653-001, the base shall be minimum 2 feet diameter x 3 feet length, and include anchor bolt cage (**Pelco - AP-1095-GLV**).
- 11.2.9 For Pedestrian Pedestal base conduit specifications [see Section 2](#).
- 11.2.10 For Pedestrian Signal cable specifications [see Section 9](#).
- 11.2.11 For Pedestrian detection cable specifications [see Section 9](#).
- 11.2.12 Signal cable shall be spliced in the base of pedestrian pole and not in pedestrian signal head,
- 11.2.13 Appropriately sized wire nuts shall be used to splice signal cable in the base of pole shall have a minimum rating of 600V, silicone filled wire nuts are not permitted.
- 11.2.14 Spare conductors in the base from the pedestrian signal head shall be under its own appropriately sized split bolt and have its own #6 awg green ground wire connected to the ground lug terminal.
- 11.2.15 Spare conductors from the trunk cable from the cabinet shall have closed end crimp connectors installed on each individual conductor. Neatly formed and tie wrap all cable terminations. Trunk cable spare conductors shall be grounded at the traffic signal cabinet.
- 11.2.16 Spare conductors in Pedestrian Signal Heads shall have closed end crimp connectors installed on each individual conductor. Neatly formed and tie wrap all cable terminations.

**End of Section 11**

## Section 12 – Cabinet Assembly

### 12.1 General

- 12.1.1 All Traffic Controller Cabinets shall be an Econolite NEMA TS-2 Type 1 Plug N Go cabinet and cabinet size shall be size Type VII (77"). (One Detector Rack - CAB18235, Two Detector Racks - CAB18236)
- 12.1.2 Traffic Signal Controller shall be an Econolite Cobalt Rack Mount Controller setup for TS-2 Configuration with EOS Software installed. (COBCRM3210000000000)
- 12.1.3 Malfunction Monitor Unit (MMU) shall be an Econolite MMU2-16LEip SmartMonitor.
- 12.1.4 The contractor shall bring Traffic Signal Cabinet, Traffic Signal Controller, MMU, and UPS (if equipped) and any other additional equipment to the Lee County DOT Traffic Signal Shop for programming and to allow the signal staff to assist with the start-up operation. Contractor shall schedule appointment minimum 1 week in advance via email with Lee County DOT Traffic [LCDOTprojects@leegov.com](mailto:LCDOTprojects@leegov.com). Contractor shall have a technician on-site to set-up cabinet and equipment.

### 12.2 Installation

- 12.2.1 Traffic Signal Cabinet shall be mounted to Quazite cabinet base with four (4) non-shouldered Stainless-Steel bolts and four (4) Stainless steel flat washers. For cabinet base specification [see Section 4](#)
- 12.2.2 Traffic Signal Cabinet shall have at minimum a silicone bead where the traffic signal cabinet meets the Quazite cabinet base. Silicone bead shall be sufficient to prevent water intrusion and shall have neat appearance.
- 12.2.3 All trunk cable spare conductors shall be under its own appropriately sized split bolt and have its own #6 awg green ground wire connected to the ground bar or ground lug terminal.

### 12.3 Standard MMU Settings

12.3.1 MMU settings shall be programmed as follows:

***(Lee County DOT Traffic will assist in programming these settings per 12.1.4, failure to bring equipment to Lee County DOT Traffic Signal shop will require the contractor to program these settings)***

#### **Main Menu Status:**

At the top level, the NEXT button selects whether Current Status or the Main Menu is displayed. The NEXT button is used to scroll through the different selections that each menu level is provide. The SELECT button will invoke the function that the cursor points at. At any time, the EXIT button may be pressed to back out of menu selection.

#### **Status:**

Pressing the SELECT button from the top level provides further details, such as the current state including Field Check, BND, Field and Cabinet Voltages.

#### **Set Up Menu:**

Pressing the NEXT button followed by the SELECT button from the top level provides the Menu structure.

**Set/View Configuration:**

Press NEXT button this will move cursor to MENU, then Press SELECT button.

Press NEXT one (1) time; this will move cursor to SET/VIEW CONFIG, then Press SELECT.

Press NEXT three (3) times; this will move cursor to UNIT OPTIONS, then Press SELECT.

The following settings should be programmed:

(Press SELECT to toggle between ON, OFF; Press NEXT to move cursor to next item)

Recurrent Pulse - ON

Walk Disable - OFF

Log CVM Faults - OFF

Extern Watchdog - OFF

+24V-2 = 12 VDC - OFF

PGM Card Memory - ON

LED Guard - ON

Force Type 16 - OFF

Type 12 SDLC - OFF

VM 3x/Day Latch - OFF

Press Reset.

**Flashing Yellow Arrow Setup:**

Press NEXT button this will move cursor to MENU, then Press SELECT button.

Press NEXT one (1) time; this will move cursor to SET/VIEW CONFIG, then Press SELECT.

Press NEXT twelve (12) times; this will move cursor to FLASHING YELL ARROW; then press SELECT.

FYA Mode - Press NEXT to change to MODE H, then press SELECT

Enable CH Pair - (Press NEXT to move to cursor to next pair, Press SELECT to turn pair ON)

Example below is showing FYA for Phase 1, Phase 3, Phase 5, and Phase 7

CH 1-13 ON

CH 3-14 ON

CH 5-15 ON

CH 7-16 ON

Press EXIT, then Press SELECT to SET

**Setup Wizard:**

Press the NEXT button followed by the SELECT button.

Press NEXT two (2) times, this will take you to SET UP WIZARD.

Press SELECT button, it will show a brief explanation of the button use for the cursor.

Answer all the screen question by pressing NEXT to move to the next phase.

Press SELECT to Enable or Disable the channels.

Press EXIT to move to the next screen.

Choose NEXT, CANCEL or EDIT by pressing SELECT.

Repeat steps 4 through 7 until all programming is complete.

- Unused channels
- Pedestrian channels
- Protected-Permissive Turn channels
- Review Channel Assignments

## 12.4 UPS and Transfer Switches for Traffic Signals

- 12.4.1 All new or remodeled signalized intersections shall have a UPS installed on the right hand side of the traffic signal cabinet as you face the door.
- 12.4.2 UPS cabinet shall be secured to the right hand side of the signal cabinet, and will be supported on the bottom by the Quazite base or an approved independent means.
- 12.4.3 UPS shall be an Econolite ZincBlue2 XRT and shall include a 5-year warranty on all components. (TCS UPS Part # ZLEE)
- 12.4.4 If plans do not call for a UPS to be installed then an FDOT approved transfer switch shall be installed on the right hand side of the traffic signal cabinet as you face the door.
  - Gen-Tran model # TS 300130 PL-30 or approved equivalent by Lee County DOT Traffic in writing.
- 12.4.5 UPS or transfer switch shall have a silicone bead installed where the UPS or transfer switch unit meet the traffic signal cabinet. Silicone bead shall be sufficient to prevent water intrusion and shall have neat appearance.

## 12.5 UPS Alarm Wiring and Settings

### 12.5.1 THE SETTINGS BELOW ARE ONLY FOR TCS MYERS POWERBACK UPS

12.5.2 UPS alarm wiring shall be two (2) pair/four (4) conductor, twenty-two (22 AWG) - twenty-six (26AWG) round telephone cable and shall be installed from UPS head unit in UPS cabinet to traffic signal cabinet back panel.

### 12.5.3 UPS Cabinet Alarm Wiring

1. C2 common (#5) to C3 Common (#8) - Install Solid Yellow jumper
2. C2 Normally Open (NO) (#4) - Solid Red wire
3. C3 Normally Open (NO) (#7) - Solid Green wire
4. Solid Black wire - Spare (wrap around cable)

### 12.5.4 UPS Traffic Signal Cabinet Wiring (Back panel)

1. Logic Ground (A29) - Solid Yellow wire
2. Alarm 2 (A34) - Solid Red wire
3. Test B (A13) - Solid Green wire
4. Solid Black Wire - Spare (wrap around cable)

### 12.5.5 UPS Settings - Settings

*(Lee County DOT Traffic will assist in programming these settings per 12.1.4, failure to bring equipment to Lee County DOT Traffic Signal shop will require the contractor to program these settings)*

1. C1= On Battery
2. C2= On Battery
3. C3= Low Battery (47.5 VDC)
4. High Limit= 135 VAC
5. High Hyst.= 130 VAC
6. Buck High= 129 VAC
7. Buck Low= 126 VAC

**End of Section 12**

## Section 13 – Traffic Signal Electric Service

### 13.1 General

13.1.1 Lee County DOT Traffic prefers to have underground fed electrical services.

13.1.2 When electric service feed is on cabinet corner and within one hundred fifty (150) feet of the traffic signal cabinet. The electrical service assembly shall include the following:

13.1.2A Traffic signal electric service shall be mounted on eight (8) inch x eight (8) inch x twelve (12) foot concrete service pole within thirty (30) feet of traffic signal cabinet.

13.1.2B Traffic signal electrical service shall be metered. Meter socket shall be 200 Amp lever bypass NEMA 3R aluminum enclosure rated for outdoor use (Milbank UAP9551-X-QG-HSP).

13.1.2C Main lug load center shall be Square D QO 125 Amp 24 space/34 circuit rated for outdoor use. (Square D QO124L125PGRB).

13.1.2D Surge Protection Device (SPD) shall be a double pole 120/240 VAC or an approved equivalent that is on the FDOT APL (ASCO 400 series 420120SP05NWSJ10) or (HESCORLS PRO120-2S-A).

13.1.2E When signalization plans call for intersection lighting the following shall be included:

***(These items are incidental to the electrical service assembly)***

- NEMA 4X Single door wall mount clamp 24" x 20" x 08" 304 Stainless Steel enclosure (WIEGMANN SSN4242008) OR (HOFFMAN A24H2008SSLP) shall be mounted on the traffic signal electric service pole.
- Lighting contactor shall be a 30 Amp 2 pole 120 VAC coil (Square D 8903SMO1V02) and mounted inside the above referenced enclosure.
- Photo control shall be a ½" stem DieCast zinc, 120 – 277 VAC, 2000W Tugsten, 1800VA Ballast (TORK 2129A) and mounted on the main lug load center.
- Isolated Neutral Bar
- Ground Bar
- 30 AMP Fuse Block

13.1.2F All circuit breakers shall be Square D QO and spaces shall be assigned as follows:

- Space 1 shall be a single pole 30 Amp for Traffic Signal Cabinet
- Space 2-4 shall be a double pole 30 Amp for intersection lighting
- Space 3-5 shall be a double pole 30 Amp for SPD

13.1.2G #6 AWG (THHN/THWN-2) wire shall be used from the meter socket to the point of service.

13.1.2H #10 AWG (THHN/THWN-2) wire shall be used from Main disconnect to traffic signal cabinet.

13.1.3 When electric service feed is **NOT** on cabinet corner or greater than one hundred fifty (150) feet from the traffic signal cabinet. The electrical service assembly shall include the following:

**Main traffic signal electric service meter and disconnect**

13.1.3A Main traffic signal electric service meter and disconnect shall be mounted on eight (8) inch x eight (8) inch x twelve (12) foot concrete service pole near point of service.

13.1.3B Traffic signal electrical service shall be metered. Meter socket shall be 200 Amp lever bypass NEMA 3R aluminum enclosure rated for outdoor use (Milbank UAP9551-X-QG-HSP).

13.1.3C Main lug load center shall be Square D QO 125 Amp 4 space/8 circuit rated for outdoor use (Square D QO148L125GRB)

13.1.3D Surge Protection Device (SPD) shall be a double pole 120/240 VAC or an approved equivalent that is on the FDOT APL (ASCO 400 series 420120SP05NWSJ10) or (HESCORLS PRO120-2S-A).

13.1.3E All circuit breakers shall be Square D QO and spaces shall be assigned as follows:

- Space 1-2 shall be a single pole 100 Amp for Traffic Signal Cabinet
- Space 3-4 shall be a double pole 30 Amp for SPD

**Secondary disconnect for traffic signal electric service**

13.1.3F Secondary disconnect for traffic signal electric service shall be mounted on eight (8) inch x eight (8) inch x twelve (12) foot concrete service pole near traffic signal cabinet.

13.1.3G Main lug load center shall be Square D QO 125 Amp 24 space/34 circuit rated for outdoor use. (Square D QO124L125PGRB).

13.1.3H Surge Protection Device (SPD) shall be a double pole 120/240 VAC or an approved equivalent that is on the FDOT APL (ASCO 400 series 420120SP05NWSJ10) or (HESCORLS PRO120-2S-A).

13.1.3I When signalization plans call for intersection lighting the following shall be included:

***(These items are incidental to the electrical service assembly)***

- NEMA 4X Single door wall mount clamp 24" x 20" x 08" 304 Stainless Steel enclosure (WIEGMANN SSN4242008) OR (HOFFMAN A24H2008SSLP) shall be mounted on the traffic signal electric service pole.
- Lighting contactor shall be a 30 Amp 2 pole 120 VAC coil (Square D 8903SMO1V02) and mounted inside the above referenced enclosure.
- Photo control shall be a ½" stem DieCast zinc, 120 – 277 VAC, 2000W Tugsten, 1800VA Ballast (TORK 2129A) and mounted on the main lug load center.
- Isolated Neutral Bar
- Ground Bar
- 30 AMP Fuse Block

13.1.3J All circuit breakers shall be Square D QO and spaces shall be assigned as follows:

- Space 1 shall be a single pole 30 Amp for Traffic Signal Cabinet
- Space 2-4 shall be a double pole 30 Amp for intersection lighting
- Space 3-5 shall be a double pole 30 Amp for SPD

13.1.3K #2 AWG (THHN/THWN-2) wire shall be used from the meter socket to the point of service.

13.1.3L #2 AWG (THHN/THWN-2) wire shall be used from the main disconnect to the secondary disconnect.

- 13.1.3M #10 AWG (THHN/THWN-2) wire shall be used from secondary disconnect to traffic signal cabinet.
- 13.1.4 For grounding specifications [See Section 14.](#)
- 13.1.5 Above ground electrical service conduit shall be rigid galvanized or schedule 80 PVC (Preference is Schedule 80 PVC).
- 13.1.6 Rigid galvanized conduit shall be connected together by use of galvanized threaded couplings or compression no-thread couplings.
- 13.1.7 If using schedule 80 PVC the pipe shall have larger diameter PVC sleeve around it at ground level extending 12" above and 6" below finish grade.
- 13.1.8 #6 AWG (THHN/THWN-2) green ground wire shall be in ¾ inch schedule 80 PVC or ¾ inch rigid galvanized conduit. Conduit shall extend a minimum of six (6) inches below finish grade.
- 13.1.9 **Intersection lighting wiring: (240 VAC Preferred)**
1. **120 VAC intersection Lighting:**
    - a. Each mast arm upright, steel strain pole, concrete strain pole, and aluminum street light poles with intersection lighting luminaire(s) shall have #10 AWG (THHN/THWN-2) Black, White, and Green wire installed from the traffic signal electric service contactor enclosure box.
  2. **240 VAC intersection lighting:**
    - a. Each mast arm upright, steel strain pole, concrete strain pole, and aluminum street light poles with intersection lighting luminaire(s) shall have #10 AWG (THHN/THWN-2) Black, Red, and Green wire installed from the traffic signal electric service contactor enclosure box.
- 13.1.10 When intersection lighting modifications are made to existing intersections, the traffic signal electric service must meet current Lee County DOT Traffic – Traffic Signal Electric Service specifications [Section 13.](#)
- 13.1.11 For intersection lighting specifications, [See Section 20.](#)

**End of Section 13**

## Section 14 – Grounding

### 14.1 General

- 14.1.1 Use current FDOT Specifications - section 620
- 14.1.2 All Electrical Services shall have a ground resistance reading of 5 ohms or less.
- 14.1.3 All Traffic Signal or ITS cabinets shall have a ground resistance reading of 5 ohms or less.
- 14.1.4 All poles that contain ITS equipment (CCTV, BlueToad, DMS, LPR) shall have a ground resistance reading of 5 ohms or less.
- 14.1.5 All signal and pedestrian poles, street light poles, RRFB, and School flasher shall have a ground resistance reading of 15 ohms or less.
- 14.1.6 All Traffic Signal cabinets, ITS cabinets, and Load centers shall have a minimum five (5), ten (10) foot length 5/8" copper clad ground rod installed.
- 14.1.7 All signal and pedestrian poles, street light poles, electrical services, RRFBs, Warning Flashers, and School Flashers shall have a minimum of two (2), ten (10) foot length 5/8" copper clad ground rod shall be installed.
- 14.1.8 All ground rods outside of pull boxes shall be marked with a temporary marker for easy location/identification for inspection purposes. The temporary markers shall be removed after completed inspection and ground readings.

### 14.2 Installation

- 14.2.1 All signal poles, pedestrian poles shall be tied into a network ground system and brought back to the cabinet.
- 14.2.2 The top of ground rod shall be two (2) inches above rock when placed inside pull box.
- 14.2.3 Electric service ground rods shall be installed in one (1) - 8" x 8" x 12" or 12" x 12" x 12" pull box and shall be incorporated into the mow pad as in illustration [Section 3.3](#).
- 14.2.4 Traffic signal cabinet ground rods shall be installed in one (1) - 8" x 8" x 12" or 12" x 12" x 12" pull box and shall be incorporated into the tech pad as in illustration
- 14.2.5 For mast arm foundations, steel strain pole foundations, concrete strain poles, pedestrian poles, RRFB, and School flasher install ground rod in one (1) - 8" x 8" x 12" or 12" x 12" x 12" pull box next to foundation/pole
- 14.2.6 Ground spare conductors inside traffic signal cabinet on ground buss bar.



## 14.3 Testing

- 14.3.1 All ground rod readings shall be verified by Lee County DOT Traffic Signal Inspector during inspection.
- 14.3.2 All ground rod readings shall be noted on a ground rod sheet.
- 14.3.3 Lee County DOT Traffic requires that all ground rod readings recorded by the project CEI shall be submitted by email when final inspection is scheduled.

**End of Section 14**

## Section 15 – Detection

### 15.1 General

- 15.1.1 Detection requirements during a project – [see General Notes](#) – Temporary Detection and maintenance.
- 15.1.2 Inductive Loop detection shall be the detection platform for signalized intersections unless otherwise approved in writing from Lee County DOT Traffic.
- 15.1.3 When using Video detection/Radar detection system the intersection geometry shall meet the manufactures specifications. When the intersection exceeds manufacturer specifications then an Inductive Loop system shall be installed for that intersection.
- 15.1.4 All detection systems shall be installed to manufacturer specifications.
- 15.1.5 Signalization plans proposed for Video detection/Radar detection system shall be submitted to manufacturer for equipment placement prior to installation.

### 15.2 Video Detection

- 15.2.1 The following video detection systems are approved for mast-arm installations in Lee County:  
***(Lee County DOT Traffic will specify which system shall be used)***
  - Iteris Vantage Next
- 15.2.2 The above listed video detection cameras shall be installed on Pelco 74” gusset tube camera bracket assembly with Astro-Brac (SP-1106-FL-X-74-X-PNC) for “X” see manufacturer for option details, unless otherwise approved by Lee County DOT Traffic in writing or manufacturer suggested deviation in writing and approved Lee County DOT Traffic in writing.
- 15.2.3 The following video detection systems shall be used on span-wire installation **when requested by Lee County DOT Traffic only**, otherwise inductive loop system shall be used for span wire intersections:
  - Miovision TrafficLink detection/SmartView 360

### 15.3 Radar Detection

- 15.3.1 The following radar detection system is approved for mast-arm and span-wire installations in Lee County:  
***(Lee County DOT Traffic will specify when this system shall be used)***
  - Wavetronix SmartSensor Matrix

## 15.4 Inductive Loops

- 15.4.1 No preformed loops shall be permitted, except bicycle loops.
- 15.4.2 Inductive loop wire shall be # 12 or # 14 AWG stranded copper wire with type XHHW cross-linked polyethylene insulation and an additional outer sleeve composed of polyvinylchloride or polyethylene insulation that meets the requirements of IMSA 51-7.
- 15.4.3 Inductive loop shielded lead-in cable shall be #12 or # 14 AWG two conductor, stranded copper wire with shield and polyethylene insulation, meeting the requirements for IMSA 50-2 and shall be continuous from controller cabinet to nearest proposed loop pull box. (No splices shall be permitted)
- 15.4.4 All inductive loops shall be installed underneath finished surface of asphalt, unless approved by Lee County DOT Traffic in writing; saw cutting into the finished asphalt surface is prohibited.
- 15.4.5 Depth of saw cut shall not be less than three (3) inches or greater than four (4) inches below roadway surface.
- 15.4.6 Backer rod shall be placed in all saw cuts every one (1) foot and at each turn in the saw cut. The backer rod pieces shall be a minimum of one (1) inch and maximum of two (2) inches in length.
- 15.4.7 No more than one (1) loop lead-in shall be permitted in a single saw cut.
- 15.4.8 Loop lead-in wires should be twisted a minimum of five (5) turns per foot up to a maximum of twelve (12) turns per foot.
- 15.4.9 All inductive loops shall be sealed with an FDOT approved epoxy type loop sealant.
- 15.4.10 The inductive loop window shall not be placed on a radius.
- 15.4.11 Curbs shall be drilled to accommodate one two (2) inch conduit to run loop lead-in wires to pull box. No holes in asphalt will be accepted.
- 15.4.12 Where no curb is existing, saw cut to the edge of pavement and place one, two (2) inch conduit three (3) to five (5) inches under the pavement surface.
- 15.4.13 There shall be a minimum of three (3) feet and a maximum of four (4) feet of slack of the twisted inductive loop wire and the loop lead-in cable for each loop assembly.
- 15.4.14 All inductive loops shall have a soldered connection between the loop wires and the loop shielded lead-in cable, and the soldered connection shall be covered with a wire nut and placed into a county approved water tight enclosure. The end of the home run cable shall be sealed to prevent water infiltration.
- 15.4.15 Each inductive loop shall have its own loop lead-in cable and shall be installed on a separate loop detector channel.
- 15.4.16 All loop lead-in cable shall have ground wire connected to earth terminal on the detector loop interface panel.
- 15.4.16 All inductive loops shall be labeled with phase, direction, and lane designation. (Example: Phase 2 NBLT Outside)
- 15.4.17 Lee County standard loop sizes are as follows:
- Stop bar – shall be Type F 6' x 40' and shall be placed two (2) feet in front of stop bar
  - Advanced and/or system – shall be Type B 6' x 6'

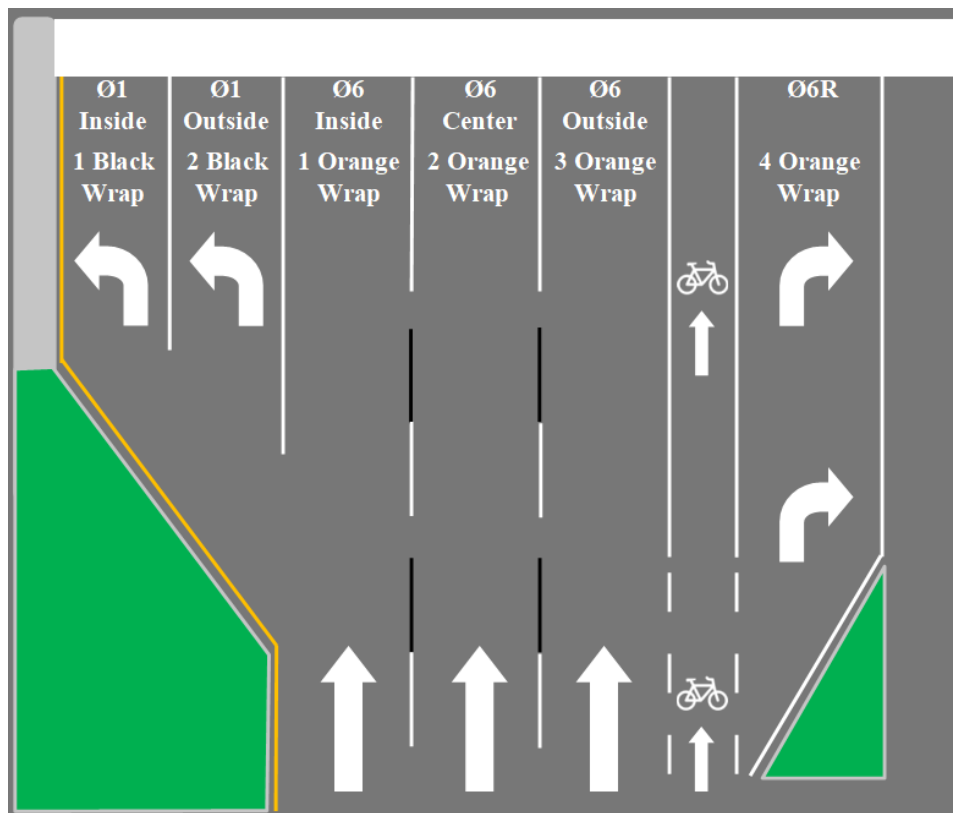
15.4.18 Minimum insulation megger reading shall be 250 Meg. Ohms for each loop.

15.4.19 Maximum resistance reading shall be less than 10 ohms for each loop.

15.4.20 All inductive loop detectors shall be Econolite LMD622 Two channel NEMA TS2 Type A Loop Monitor Deflectometer.

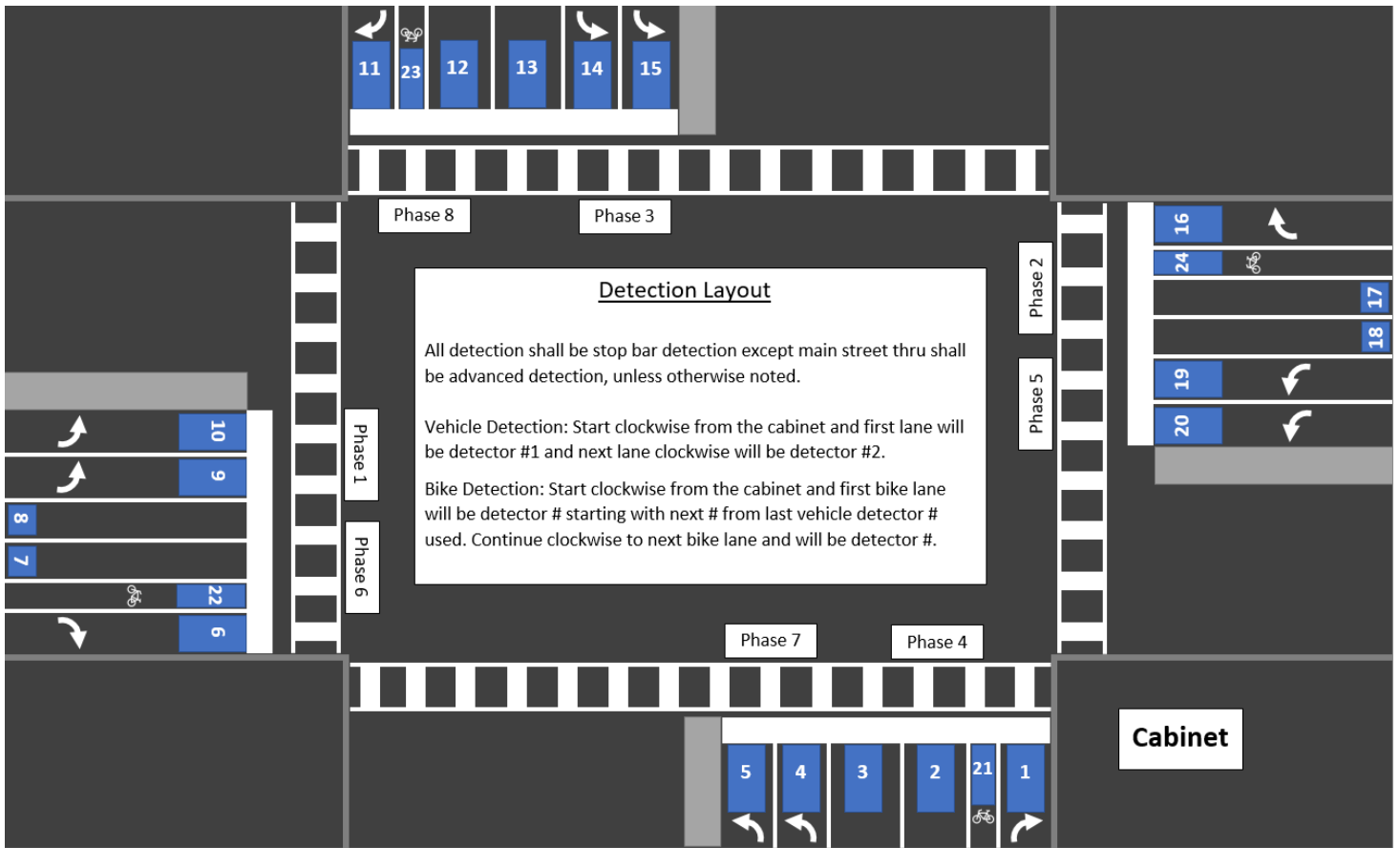
15.4.20 All twisted loop lead-in and loop lead-in cable shall be marked as per illustration below.

- Phase 1 – Black Wrap
- Phase 2 – Red Wrap
- Phase 3 – Green Wrap
- Phase 4 – Blue Wrap
- Phase 5 – Brown Wrap
- Phase 6 – Orange Wrap
- Phase 7 – White Wrap
- Phase 8 – Yellow Wrap



## 15.5 Intersection Detection Layout

15.5.1 All intersection detection shall be setup lane by lane.



End of Section 15

## Section 16 – Fiber Optic Cable (FOC) - Interconnect

### 16.1 General

- 16.1.1 All installations shall be done in a workmanship like manner and performed by a qualified personnel.
- 16.1.2 For FOC conduit specifications see [Section 2.](#)
- 16.1.3 For FOC pull box specifications, see [Section 3.](#)
- 16.1.4 FOC splices are prohibited between Traffic Signal Cabinets.
- 16.1.5 FOC shall be 96 strand single mode fiber with **Corning Brand glass** (Altos 8.3/125 LT duct /aerial .4/.3 DB/KM SMF28F). This is an all-dielectric, dry filled loose tube single mode FOC.
- 16.1.6 The installer of the FOC shall be a Corning warranty partner and BICSI certified.
- 16.1.7 FOC shall not share a pull box with any other cables.
- 16.1.8 FOC splice locations shall be determined by Lee County DOT Traffic.
- 16.1.9 For locating purposes, all FOC pull boxes shall have an 8" x 8" x 12" pull box installed within one (1) foot of interconnect pull box. The locate wire shall be installed into this pull box via a one (1) inch conduit from the FOC pull box.
- 16.1.10 FOC shall be shipped on reels of marked continuous length.
- 16.1.11 The installer shall provide a copy of transmission test results of cable prior to installation and after installation is complete.
- 16.1.12 Should the FOC become damaged or broken, the FOC shall be replaced from the FOC splice vault to FOC splice vault.

## 16.2 Installation

- 16.2.1 Ensure conduit is clean and free from damage prior to installing FOC.
- 16.2.2 FOC shall be tested at factory, before installation, and after installation.
- 16.2.3 Install equipment according to the latest version of the manufacturer's installation procedures and current industry accepted installation standards, codes and practices or as directed by Lee County DOT Traffic.
- 16.2.4 Provide and store fiber optic cable at each pull box and splice vault to allow for future splices, additions, or repairs to the fiber network. Store the fiber optic cable without twisting or bending the cable below the minimum bend radius.
- Store a minimum of two hundred (200) feet of fiber optic backbone cable in FOC splice vault. One hundred (100) feet of FOC on each side of the cable splice enclosure or as shown in the plans.
  - Store a minimum of one hundred (100) feet of fiber optic drop cable in FOC splice vault or as shown in the plans.
  - Store a minimum of one hundred (100) feet fiber optic backbone cable in each adjacent FOC pull box to the splice vault or as shown in the plans.
  - Store a minimum of fifty (50) feet of FOC in FOC mid run pull boxes or as shown in the plans.
- 16.2.5 Install cable tags within 1 foot of each splice and/or termination point indicating the cable type, fiber count, and each fiber optic cable origination and termination points. Ensure that the cable tags are **permanent labels** suitable for outside plant applications and are affixed to all fiber optic cables. Ensure that lettering is in **permanent ink** and displays the phrase "FIBER OPTIC CABLE".
- 16.2.6 FOC splice vaults shall have cable hanger racks designed to support cable and splice enclosure.
- 16.2.7 All FOC splices shall be fusion spliced according to latest version of the manufacture's installation procedures and current industry accepted installation standards, codes and practices, or as directed by a Lee County DOT Traffic. **(Mechanical splicing is strictly prohibited)**
- 16.2.8 Where any FOC is to be accessed for lateral insertion, open only the buffer tube containing the fiber to be accessed and cut only the actual fiber to be accessed. (Ring cut splice)
- 16.2.9 FOC patch panel to patch panel, connectors shall be LC/LC.
- 16.2.10 FOC patch panels to FOC managed switch, connectors shall be LC/SC.

## 16.3 Testing

- 16.3.1 FOC shall be tested by the manufacturer.
- 16.3.2 FOC shall be tested prior to installation with readings no greater than 0.1 decibel per reel.
- 16.3.3 All fibers shall be tested from both FOC end points with an optical time domain reflectometer (OTDR) at wavelengths of 1310NM and 1550NM. Splice loss shall not exceed maximum bidirectional average of 0.1 decibel per splice. Connector attenuation at each termination panel and its associated splice shall not exceed 0.5 decibel. Splices and connectors exceeding allowable attenuation shall be replaced at no cost to Lee County DOT Traffic.
- 16.3.4 All FOC tests and equipment calibration records shall be submitted to Lee County DOT Traffic for review digitally at [LCDOTprojects@leegov.com](mailto:LCDOTprojects@leegov.com)



## 16.4 FOC Splice Cabinet/FOC Node Cabinet

- 16.4.1 Lee County DOT Traffic IT will specify when a FOC Splice Cabinet or FOC Node Cabinet is necessary.
- 16.4.2 The following is Lee County DOT Traffic approved FOC splice cabinet:
1. **Type 332/334 – 170 unwired cabinet**
    - a. Transportation Control Systems - Type 332/334 – 170 unwired cabinet with rack and front and rear door (Part # F672430B2D2R)
- 16.4.3 The following is Lee County DOT Traffic approved FOC Node cabinet:
1. **Type 332D Base Mount ITS Enclosure w/ HVAC**
    - a. Southern Manufacturing 67”H x 48.50”W x 30.25”D, Type 332D, Base mount ITS enclosure W/HVAC.
    - b. Southern Manufacturing Generator panel and Automatic Transfer Switch.
- 16.4.4 For cabinet base specifications See [Section 4](#).
- 16.4.5 The following is Lee County DOT Traffic approved FOC Node cabinet UPS:
1. Econolite ZincBlue2 XRT with cabinet

**End of Section 16**

## Section 17 – Network and ITS Devices

### 17.1 General

- 17.1.1 All installations shall be done in a workmanship like manner and performed by a qualified personnel.
- 17.1.2 All network and ITS devices shall be compatible with Lee County DOT Traffic Advanced Traffic Management System (ATMS).

### 17.2 Managed Field Ethernet Switch

- 17.2.1 Managed Field Ethernet Switch shall be on the FDOT APL and Lee County DOT Traffic approved.
- 17.2.2 Managed Field Ethernet Switch shall include the power supply, SFP Optic Modules, and additional components.
- 17.2.3 The following are Lee County DOT Traffic approved managed field Ethernet switches:
  - 1. **Standard Layer 2 switch with needed components (Din rail mounted)**
    - a. Switch - Cisco IE2000 (IE-2000-8TC-G-B)
    - b. SFP Optic Module - Two (2) Proline Cisco SFP Optic modules (GLC-LH-SMD-PRO)
    - c. Power Supply - Cisco AC-DC 50W power supply (PWR-IE50W-AC=)
  - 2. **Multi-Directional Layer 2 switch with needed components (Din rail mounted)**  
*(Lee County DOT Traffic IT will specify when needed)*
    - a. Switch - Cisco Catalyst IE3300 (IE-3300-8T2S-E)
    - b. Expansion Module - Cisco Catalyst IE3300 Expansion Module (IEM-3300-6T2S)
    - c. SFP Optic Module - Four (4) Proline Cisco SFP Optic modules (GLC-LH-SMD-PRO)
    - d. Power Supply - Cisco AC-DC 65W power supply (PWR-IE65W-PC-AC=)
  - 3. **Layer 3 switch with needed components (Rack Mounted)**  
*(Lee County DOT Traffic IT will specify when needed)*
    - a. Switch - Cisco IE5000 (IE-5000-12S12P-10G)
    - b. SFP Optic Module – Lee County DOT Traffic IT will specify required SFP Optic Modules on plans
    - c. Power Supply – Cisco AC-DC 150W power supply (PWR-RGD-AC-DC-H)

## 17.3 Cellular Modem

- 17.3.1 Any intersection that will not have FOC communications to Lee County DOT Traffic ATMS shall include a cellular modem.
- 17.3.2 When a cellular modem is used a managed field switch shall also be included See [Section 17.2](#).
- 17.3.3 Cellular modem shall include antenna, power supply, and management software.
- 17.3.4 The following is Lee County DOT Traffic approved cellular modem:
  - 1. **Cradlepoint Modem**
    - a. Cradlepoint R1900 modem (MBA5-19005GB-GA)
    - b. Netcloud service Essentials+Advanced 5-year package
    - c. Panorama 7 in 1 antenna (LG-IN2445-B)
    - d. Power Supply 12V (170869-000)
    - e. Line Cord for North America (C7) (170623-001)

## 17.4 Pan/Tilt/Zoom Cameras (PTZ)

- 17.4.1 PTZ cameras shall be on the FDOT APL, and Lee County DOT Traffic approved.
- 17.4.2 The following are Lee County DOT Traffic approved PTZ cameras:
  - 1. **Standard 1080P PTZ camera**
    - a. Axis Q6135-LE (AXIS Q6135-LE 60 Hz)
    - b. AXIS TQ6802 Hydrophilic Clear Dome (01817-001)
    - c. Axis pendant kit (T94A01D)
    - d. Axis T8144 60W POE injector (01154-001) (Din rail mounted)
    - e. Mean Well power supply NDR-120-48 (Din rail mounted)
  - 2. **Full 360° 1080P PTZ camera** (*Lee County DOT Traffic IT will specify when needed*)
    - a. CohuHD Costar RISE 4260HD
- 17.4.3 Lee County DOT Traffic IT will determine and provide location detail for PTZ camera.
- 17.4.4 Standard mounting bracket for PTZ camera is a 2-piece (8) foot aluminum camera mount. (Cost Cast - Control Technologies - 7916-TC-2X48)
  - a. Mounting on Mast arm upright or steel strain pole shall be mounted using a Pelco Astro bracket
  - b. Mounting on Concrete strain pole shall be mounted using stainless steel unistrut and clamps.
- 17.4.5 PTZ wiring shall be Cat 6e shielded outdoor/underground rated for distance no longer than manufacture's recommendation of 350 cable feet.
- 17.4.6 **Cable distances over 350 cable feet shall require the following:**
  - c. Eight (8) inch x eight (8) inch x twelve (12) foot concrete service pole
  - d. NEMA 3R 18 x 15 x 8 carbon steel galvanized enclosure (Hubbell-Wiegmann RSC181508G) shall be mounted on the concrete service pole.
  - e. Pull box needs to be installed at the concrete service pole. For pull box specifications See [Section 3](#).
  - f. OUTREACH MAX XT Ethernet & POE Extender (VOR-ORM-XT)
- 17.4.7 All CAT6 RJ45 connectors shall be shielded, crimp on, and Non pass-through.

17.4.8 All threads shall have PTFE thread sealant tape installed proper direction.

17.4.9 All mechanical threads and hardware shall be tightened to the manufactures specifications.

## 17.5 Radios

17.5.1 Wireless bridging/access point communication between traffic signal cabinets shall be on the FDOT APL and Lee County DOT Traffic approved.

17.5.2 Lee County DOT Traffic IT will specify on plans when radio communications is needed.

17.5.3 Lee County DOT Traffic IT will specify the model # and part# of approved radio device on plans.

## 17.6 Bluetooth Travel-Time Device

17.6.1 Bluetooth Travel-Time devices shall be on the FDOT APL and Lee County DOT Traffic approved.

17.6.2 The following is Lee County DOT Traffic approved Bluetooth Travel-Time device:

1. **BlueTOAD**

- a. TrafficCast BlueTOAD Spectra Ethernet

17.6.3 Lee County DOT Traffic IT will determine and provide location detail for Bluetooth Travel-Time Device.

17.6.4 BlueTOAD Spectra shall be mounted at fourteen (14) feet from final elevation.

17.6.5 BlueTOAD shall mounted using stainless-steel banding.

17.6.6 When riser is being installed weather head shall be within 2 feet of device.

17.6.7 BlueTOAD wiring shall be Cat 6e shielded outdoor/underground rated for distance no longer than manufacture's recommendation of 350 cable feet.

17.6.8 All CAT6 RJ45 connectors shall be shielded, crimp on, and Non pass-through.

17.6.9 POE injector shall be rigid mount on left side of cabinet shelf.

## 17.7 Microwave Vehicle Detection System (MVDS)

17.7.1 MVDS shall be on the FDOT APL and Lee County DOT Traffic approved.

17.7.2 The following is Lee County DOT Traffic approved MVDS:

**1. Wavetronix Expanse System**

**a.** Side-fire ITS Radar Sensor (XP20)

17.7.3 All Wavetronix Expanse shall utilize Wavetronix ARC.

17.7.4 All wiring shall be Wavetronix approved. (Several wiring scenarios exist based on location, distance, and application) Contact Lee County DOT Traffic via [LCDOTprojects@leegov.com](mailto:LCDOTprojects@leegov.com) for wiring scenarios and required equipment needed.

17.7.5 Lee County DOT Traffic will specify location for MVDS. (Maximum distance is 2,000 cable feet)

17.7.6 MVDS shall be on installed on thirty-six (36) foot Type P-II concrete pole. (29 feet above finished grade)

17.7.7 An ITS 336 cabinet shall be mounted on the backside of the concrete pole at five (5) foot center from final elevation.

17.7.8 A pull box shall be installed at the base of the concrete pole. For pull box specifications, [See Section 3.](#)

**End of Section 17**

## Section 18 – Flashers/Rectangular Rapid Flashing Beacon (RRFB)

### 18.1 General

- 18.1.1 All installations shall be done in a workmanship like manner and performed by a qualified personnel. See [General Notes](#).
- 18.1.2 Lee County DOT Traffic prefers Solar powered for flashers and RRFBS.
- 18.1.2 All Flashers and RRFBs shall be pedestal mounted with a breakaway base, direct buried is prohibited.
- 18.1.3 For Flashers/RRFB pre-cast or Cast-In-Place base, refer to FDOT Index 654-001 (RRFB) or FDOT Index 700-120 (Flashers), the base shall be minimum 2 feet diameter x 4 feet length, and shall include anchor bolt cage (Pelco - AP-1095-GLV).
- 18.1.4 For Flasher/RRFB concrete base conduit specification See [Section 2](#).
- 18.1.5 Use Pelco square breakaway base for pedestal poles with aluminum door and ground lug (SP-1116-FL-AD-GL-PNC) or approved equivalent by Lee County DOT Traffic in writing.
- 18.1.6 All flashers/RRFB assemblies shall have a pole & base collar assembly (PB-5325-PNC) installed.
- 18.1.7 All attaching hardware shall be stainless steel 304 or 316.
- 18.1.8 Use Pelco pedestal spun aluminum four (4) inch Schedule 80 pole (PB-5102-X-PNC) X=Length or approved equivalent by Lee County DOT Traffic in writing.
- 18.1.9 For grounding specifications See [Section 14](#).

### 18.2 Traffic Controller Activated - Advanced Warning Flasher

- 18.2.1 Use current FDOT Specifications - section 700, Index 700-120
- 18.2.2 Each advanced warning flasher shall have seven (7) conductor signal cable from the traffic signal controller cabinet to each advanced warning flasher pedestal base hand hole.
- 18.2.3 Each signal head on advanced warning flasher shall have five (5) conductor signal cable from the signal head to pedestal base hand hole.
- 18.2.4 Coordinate with Lee County DOT Traffic for Traffic signal cabinet termination and for controller programming.

## 18.3 Warning Flasher

18.3.1 Use current FDOT Specifications - section 700, Index 700-120

18.3.2 Warning flashers shall be on the FDOT APL and Lee County DOT Traffic approved.

18.3.3 The following are Lee County DOT Traffic approved Flashing beacons:

1. **Carmanah solar powered warning beacon**

- a. Carmanah R247-G
- b. Solar powered (80W PV + 100 AHR Battery)
- c. Natural aluminum cabinet finish
- d. 1 or 2 beacon (**per plans**), 12" aluminum housing with visor, wide view LED
- e. Black signal head finish
- f. 24-7 + Manual override switch
- g. Temple/AI - LPM 500-030 with 10 Year Plan

2. **Carmanah AC powered warning beacon**

- a. Carmanah R247-G
- b. AC powered
- c. Natural aluminum cabinet finish
- d. 1 or 2 beacon (**per plans**), 12" aluminum housing with visor, wide view LED
- e. Black signal head finish
- f. 24-7 + Manual override switch
- g. Temple/AI - LPM 500-030 with 10 Year Plan

## 18.4 School Flasher

- 18.4.1 Use current FDOT Specifications - section 700, Index 700-120 (**Note cabinet shall be mounted per Lee County DOT Traffic specifications**)
- 18.4.2 The center of the controller/battery cabinet shall be 5 ft. from final elevation.
- 18.4.3 All school flashers shall be compatible with Lee County DOT Traffic School flasher monitoring system (RTC Connect).
- 18.4.4 School flashers shall be on the FDOT APL and Lee County DOT Traffic approved.
- 18.4.5 The following are Lee County DOT Traffic approved school flashers: (**No exceptions**)
1. **Standard RTC Solar powered assembly**
    - a. Two Battery Cabinet Including Panel No. 2 lock, Regulator and 4.5" Ubolt Mount (PN: 503568K)
    - b. 40 Watt Solar Panel (PN: SP40)
    - c. 58 amp MK battery (PN: 501665)
    - d. 15' Spun Aluminum Pole, Base and Collar and Anchor Bolts (PN: POLE15SPALASSY)
    - e. 12" Signal Heads Aluminum Black (1 or 2 per flasher) (PN: SIGAB)
    - f. 12" Amber DC 5 Watt LED IL (RTC Standard) (1 or 2 per flasher) (PN: 502463)
    - g. DC Guardian Board with Complete 3 way Wiring Harness only (PN: Guard)
    - h. Five Year Plan With Modem, RTC Connect Software, Premium "Always up" Cloud Based Data Storage, Cell Service, Cable, Mount and Antenna (M2M5YR-4K)
    - i. 7-10 Db M2M Omni Puck Antenna with 3' Lead and Mounting Bracket (PN: M2MOMNI)
    - j. Include an AP22 with ANY Modem and Plan (PN: 503644)
  2. **RTC AC powered Flare Mount cabinet/controller only**

*(Lee County DOT Traffic will specify when to use)*

    - a. AC Cabinet Including Panel, NEMA Flasher,#2 Lock 4.5" Flare Mount 14"x16"x10" (PN: 502565K)
    - b. AC Guardian (Blue Enclosure) with Complete 2 way Wiring Harness (to be wired into panel with existing NEMA Flasher) (PN: GUARDAC1)
    - c. Five Year Plan With Modem, RTC Connect™ Software, Premium "Always up" Cloud Based Data Storage, Cell Service, Cable, Mount and Antenna (M2M5YR-4K)
    - d. 7-10 Db M2M Omni Puck Antenna with 3' Lead and Mounting Bracket (PN: M2MOMNI)
    - e. Include an AP22 with ANY Modem and Plan (PN: 503644)
  3. **RTC AC powered U-Bolt Mount cabinet/controller only**

*(Lee County DOT Traffic will specify when to use)*

    - a. AC Cabinet Including Panel, NEMA Flasher,#2 Lock 4.5" U-Bolt Mount 14"x16"x10" (PN: 502564K)
    - b. AC Guardian (Blue Enclosure) with Complete 2 way Wiring Harness (to be wired into panel with existing NEMA Flasher) (PN: GUARDAC1)
    - c. Five Year Plan With Modem, RTC Connect™ Software, Premium "Always up" Cloud Based Data Storage, Cell Service, Cable, Mount and Antenna (M2M5YR-4K)
    - d. 7-10 Db M2M Omni Puck Antenna with 3' Lead and Mounting Bracket (PN: M2MOMNI)
    - e. Include an AP22 with ANY Modem and Plan (PN: 503644)



## 18.5 Rectangular Rapid Flashing Beacon (RRFB)

- 18.5.1 Use current FDOT Specifications - section 654, Index 654-001
- 18.5.2 Lee County prefers RRFBs to be AC Powered and shall have street lighting installed to meet FDM Table 231.2.1 (Midblock Crosswalk Lighting).
- 18.5.3 RRFBs shall only be Solar Powered in isolated instances only and other means for midblock crosswalk lighting being used.
- 18.5.4 The following Lee County DOT Traffic approved RRFB:
  - 1. **AC powered RRFB**
    - a. Carmanah SC315-G
    - b. AC powered
    - c. Natural aluminum cabinet finish
    - d. Single or Dual Light bars (# per plans)
    - e. Audible push button activation with Tactile arrow - Polara iNX, 9" x 18" sign plate adapter and FTP-68C-21 sign, Yellow Button Cover (Polara iNX8GN0-Y)
    - f. Temple/AI - LPM 500-030 with 10 Year Plan
  - 2. **Solar powered RRFB**
    - a. Carmanah SC315-G
    - b. Solar powered (80W PV + 100 AHR Battery)
    - c. Natural aluminum cabinet finish
    - d. Single or Dual Light bars (# per plans)
    - e. Audible push button activation with Tactile arrow - Polara iNX, 9" x 18" sign plate adapter and FTP-68C-21 sign, Yellow Button Cover (Polara iNX8GN0-Y)
    - f. Temple/AI - LPM 500-030 with 10 Year Plan
  - 3. **Optional Overhead Lighting components for Solar Powered RRFBs:**
    - a. Relay kit for digital output, DC, 10 A max. (PN 84597)
    - b. LED light fixture, DC, LED driver, photocell receptacle, shorting cap (89241)
    - c. Photocell for LED light fixture, DC, no delay, required when there is an audible pushbutton (PN 87905)
    - d. Side-of-pole mount, direct arm, 9" (PN 89053)

## 18.6 Electronic Speed Feedback Signs (ESFS)

18.6.1 Use current FDOT Specifications - section 700, Index 700-120 (**Note cabinet shall be mounted per Lee County DOT Traffic specifications**)

18.6.2 Electronic Speed Feedback Signs shall be on the FDOT APL and Lee County DOT Traffic approved.

18.6.3 The following Lee County DOT Traffic approved ESFS:

1. **Electronic Speed Feedback Sign for Roadways Under 45 MPH:**

- a. Carmanah Speedcheck-15
- b. Static Sign Size - 30" x 42"
- c. Sign Sheeting Colored: Yellow unless installed in Schools Zones then Fluorescent Yellow/Green shall be used.
- d. Sign Sheeting Grade: Diamond Grade
- e. Solar Powered (170W)
- f. Natural aluminum cabinet finish
- g. Temple/AI - LPM 500-070 with 10 Year Plan

2. **Electronic Speed Feedback Sign for Roadways 45 MPH and over:**

- a. Carmanah Speedcheck-18
- b. Static Sign Size - 36" x 48"
- c. Sign Sheeting Colored: Yellow unless installed in Schools Zones then Fluorescent Yellow/Green shall be used.
- d. Sign Sheeting Grade: Diamond Grade
- e. Solar Powered (170W)
- f. Natural aluminum cabinet finish
- g. Temple/AI - LPM 500-070 with 10 Year Plan

**End of Section 18**

# Section 19 – Overhead Signs

## 19.1 General

- 19.1.1 All new intersections shall have static overhead street name signs. (Illuminated Street Name signs are prohibited)
- 19.1.2 All overhead street name signs shall be rigidly mounted to mast arm or cantilever arm. **(Free-swinging signs are strictly prohibited)**
- 19.1.3 Static Street Name Sign Specifications:
  - a. Uppercase followed by lowercase letters
  - b. No block numbering
  - c. Complete street names (to include St., Rd., Dr., etc.)
  - d. Single Street Name Signs - 24" H x Max 120" W
  - e. Double Street Name Signs - 30" H x Max 120" W
  - f. Utilize the following text attributes in descending order of preference:
    - i. 12-inch upper case with 10-inch lower case, Type EM Font
    - ii. 12-inch upper case with 10-inch lower case, Type E Font
    - iii. 12-inch upper case with 10-inch lower case, Type D Font
    - iv. 10-inch upper case with 8-inch lower case, Type EM Font
    - v. 10-inch upper case with 8-inch lower case, Type E Font
    - vi. 10-inch upper case with 8-inch lower case, Type D Font
    - vii. 8-inch upper case with 6-inch lower case, Type EM Font
    - viii. 8-inch upper case with 6-inch lower case, Type E Font
    - ix. 8-inch upper case with 6-inch lower case, Type D Font
  - g. Street name Type (suffixes) shall be half height, Raised
  - h. Type XI Sign Sheeting (Diamond Grade)
  - i. 1" White Border

Single Street Name Signs	
Sign Size	Square Ft.
24" X 48"	8.0
24" X 60"	10.0
24" X 72"	12.0
24" X 84"	14.0
24" X 96"	16.0
24" X 108"	18.0
24" X 120"	20.0

Double Street Name Signs	
Sign Size	Square Ft.
30" X 48"	10.0
30" X 60"	12.5
30" X 72"	15.0
30" X 84"	17.5
30" X 96"	20.0
30" X 108"	22.5
30" X 120"	25.0

- 19.1.3 **Only** Regulatory signs can be span wire mounted.
- 19.1.4 All overhead street name signs shall be uppercase followed by lowercase letters.
- 19.1.5 All overhead street name signs shall not have block numbering.
- 19.1.6 All overhead street name signs shall have the complete street names (to include St., Rd., Dr., etc.).
- 19.1.7 Overhead span wire mounted regulatory signs shall be mounted using adjustable sign hanger assembly, with sixteen (16) inch CTC, with 3/8 inch stainless steel hardware. (Pelco - Single - SP-1032-FL-PNC, Double - SP-1031-FL-PNC)

- 19.1.8 Overhead signs 48 inches and larger shall have a two (2) adjustable sign hanger assemblies on each sign as a minimum when suspended from span wire.
- 19.1.9 Attach sign to hanger with 304 or 316 stainless steel bolts, washers and nuts.
- 19.1.10 Cantilever arms shall be used to mount overhead street name signs to concrete strain or steel strain pole on span wire installations. Rigidly mounted on arm, free swinging is prohibited.
- 19.1.11 Cantilever arms shall be used to mount overhead street name signs on mast arm installations, when due to space constraints or mast arm is not perpendicular to direction of travel. Rigidly mounted on arm, free swinging is prohibited.

## 19.2 Static Signs

- 19.2.1 All new overhead sign installations shall be static with Type XI sheeting (Diamond Grade).
- 19.2.2 When intersection is equipped with Left Turn Flashing Yellow Arrow, a “Left Turn Yield on Flashing Yellow Arrow” sign shall be installed for that approach. (R10-12A)
- 19.2.3 When intersection is equipped with U Turn Flashing Yellow Arrow, a “U Turn Yield on Flashing Yellow Arrow” sign shall be installed for that approach.
- 19.2.4 When intersection is equipped with 5-section Left Turn, a “Left Turn Yield on (Green Ball Symbol)” sign shall be installed for that approach. (R10-12)
- 19.2.5 All overhead street name signs shall have aluminum Z bar mounted horizontal to/from edge of sign on top and bottom utilizing 3/8” stainless steel hardware
- 19.2.6 All overhead street name signs shall mounted utilizing one of the following brackets: Pelco formed tube, Pelco Astro Sign-Brac, Stellar Cable Mount for Overhead Street Name Signs, and Pelco Astro Sign-Brac, Stellar Tenon Mount for Overhead Street Name Signs.

## 19.3 Illuminated Street Name Signs

- 19.3.1 All illuminated street name signs shall be on the FDOT APL and Lee County DOT Traffic approved.
- 19.3.2 The following is Lee County DOT Traffic approved illuminated street name sign:
  - 1. **Internally Illuminated street name sign:**
    - a. Transportation Control Systems Internally illuminated LED street name sign (BriteLite TCSSIGNBL Series)
- 19.3.3 Illuminated street names signs shall be connected to the traffic signal electrical service.  
**(Not inside traffic signal cabinet)**
- 19.3.4 All cable and conduit for illuminated signs shall be kept separate from the signal cabinet.
- 19.3.5 A separate 15 amp circuit breaker shall be installed in the traffic signal electric service disconnect for illuminated signs.
- 19.3.6 A (Tork 2129A) photo control shall installed on the traffic signal electric service disconnect for illuminated signs.

- 19.3.7 #10 AWG (THHN/THWN-2) wire shall be used from traffic signal electric service disconnect to hand hole compartment.
- 19.3.8 Three (3) conductor #14 AWG SO cable shall be used from sign termination compartment to hand hole compartment. (Belden (IMSA 50-2) and traffic signal cable is prohibited)
- 19.3.9 Illuminated sign power wire shall be spliced in hand hole compartment with one (1) breakaway fuse holder with lineside terminal having a Cu setscrew and the loadside terminal having Cu crimp connector. **(Bussmann - HEB-AW-RLC-J)** and have one (1) breakaway neutral fuse holder with permanently installed solid neutral, with line side having a Cu setscrew and the loadside terminal having Cu crimp connector **(Bussmann - HET-AW-RLC-J)** for each illuminated sign.

## 19.4 Blank out signs

- 19.4.1 All Blank out signs shall be on the FDOT APL and Lee County DOT Traffic approved.
- 19.4.2 The following is Lee County DOT Traffic approved Blank out signs:
1. **Blank out Sign:**
    - a. Transportation Control Systems – Blank out signs (TCSLEDBO Series)
- 19.4.3 For Blank out sign wiring, [See Section 9.](#)

**End of Section 19**

## Section 20 – Intersection Lighting

### 20.1 General

- 20.1.1 **Intersection lighting shall be separate from Standard Roadway Street lighting circuits; 480 VAC power is strictly prohibited for intersection lighting.**
- 20.1.2 All intersection lighting shall be 120/240 VAC, No Exceptions. **(Lee County DOT Traffic prefers 240 VAC)**
- 20.1.3 For electrical service/wiring specifications for intersection lighting, [See Section 13.](#)
- 20.1.4 For grounding specifications, [See Section 14.](#)
- 20.1.5 All intersections shall have intersection lighting if there are no aerial constraints/conflicts.
- 20.1.6 All mast arm uprights shall be extended and have integrated bolt on street light arm. **(Attaching luminaire arm or fixture to the mast arm is prohibited.)**
- 20.1.7 All steel strain poles shall have integrated bolt on luminaire arm or clamp on street light arm.
- 20.1.8 All concrete strain poles shall either have a Tenon L Bracket mount or have a twenty (20) foot aluminum street light arm.
- 20.1.9 An alternative to above if not feasible is the use of standard aluminum street light poles with either an eight (8) foot or fifteen (15) foot aluminum street light arm and maximum luminaire height of forty-five (45) feet.
- 20.1.10 All standard intersection lighting fixtures shall be on the FDOT APL and be Lee County DOT Traffic approved.
- 20.1.11 All Sea Turtle/wildlife friendly lighting fixtures shall be on the Florida Fish and Wildlife - Certified Wildlife Lighting Certification program and be Lee County DOT Traffic approved.
- 20.1.12 The following are Lee County DOT Traffic approved intersection lighting fixtures:
1. **Standard Intersection Lighting**
    - a. Holophane Mongoose LED Medium P7, 3000K CCT, Forward Throw, with Field adjustable output (MGLEDM-P7-30K-MVOLT-FT-VH-GRSD-AO)
  2. **Sea Turtle/wildlife friendly Intersection Lighting**
    - a. Visionaire Lighting - BOW LX II Turtle Safe, BLX-II-6, Type 4 Optics, 192 LED Count, 530mA Current, TS 590 nm Kelvin (BLX-II-6\_T4\_192LC\_5\_TS\_UNV\_MA\_GY\_7PINPER\_LS)
    - b. Visionaire Lighting - BOW LX II Turtle Safe, BLX-II-8, Type 4 Optics, 256 LED Count, 530mA Current, TS 590 nm Kelvin (BLX-II-8\_T4\_256LC\_5\_TS\_UNV\_MA\_GY\_7PINPER\_LS)

## 20.2 Installation

### 20.2.1 120VAC intersection lighting

1. Each mast arm upright, steel strain pole, concrete strain pole, and aluminum street light poles with intersection lighting luminaire(s) shall have the following located in the hand hole compartment or T-Base.
  - a. One (1) breakaway fuse holder with lineside terminal having a Cu setscrew and the load side terminal having Cu crimp connector. **(Bussmann - HEB-AW-RLC-J)** and have one (1) breakaway neutral fuse holder with permanently installed solid neutral, with lineside terminal having a Cu setscrew and the load side terminal having Cu crimp connector **(Bussmann - HET-AW-RLC-J)** for each luminaire and shall be located in the hand hole compartment or T-Base.
  - b. 120VAC Surge Arrestor **(Asco Model 235 - 235120NF030AWLN0)** or **(Hesco/RLS HE120BW)** and shall be installed using Butt crimp connectors.

### 20.2.2 240VAC intersection lighting (Preferred)

1. Each mast arm upright, steel strain pole, concrete strain pole, and aluminum street light poles with intersection lighting luminaire(s) shall have the following located in the hand hole compartment or T-Base.
  - a. Two (2) breakaway fuse holders with lineside terminal having a Cu setscrew and the load side terminal having Cu crimp connector. **(Bussmann - HEB-AW-RLC-J)** for each luminaire and shall be located in the hand hole compartment or T-Base.
  - b. 240VAC Surge Arrestor **(Asco Model 235 - 235240NF030AWLN0)** or **(Hesco/RLS HE240BB)** and shall be installed using Butt crimp connectors.

20.2.3 All luminaires and all hardware shall be installed to manufacturer specifications.

20.2.4 The luminaire tilt angle shall be set per the EOR/plans.

**End of Section 20**

## Section 21 - Roadway Street Lighting

### 21.1 General

- 21.1.1 For conduit specifications See [Section 2](#).
- 21.1.2 For grounding specifications see [Section 14](#).
- 21.1.3 Streetlights, Electric services, and Load centers shall **not** be placed in ditches, drainage slopes, swales, or where sheet or standing water can intrude.
- 21.1.4 All Roadway Street Lighting shall be single phase, 240/480 volt, Three wire.
- 21.1.5 All foundations for street light poles shall be pre-formed concrete and shall conform to the latest FDOT index 715-002 for Standard Aluminum Lighting. **(Screw-in bases are strictly prohibited)**
- 21.1.6 If the EOR determines a spread footer shall be used in lieu of a pre-formed foundation, the spread footer shall conform to the latest FDOT index 715-002 for Standard Aluminum Lighting.
- 21.1.7 All Roadway Street Lighting designs shall meet FDM Section 231 and be approved by Lee County DOT Traffic.
- 21.1.8 All Roadway Street Lighting poles shall be installed with a breakaway Transformer base.
- 21.1.9 All Roadway streetlight poles shall be aluminum.
- 21.1.10 All Roadway streetlight arms shall be aluminum and clamp-on.
- 21.1.11 All Roadway Street Lighting shall have a maximum luminaire height of forty five (45) feet.
- 21.1.12 All standard Roadway lighting fixtures shall be on the FDOT APL and be Lee County DOT Traffic approved.
- 21.1.13 All Sea Turtle/wildlife friendly lighting fixtures shall be on the Florida Fish and Wildlife - Certified Wildlife Lighting Certification program and be Lee County DOT Traffic approved.
- 21.1.14 The following are Lee County DOT Traffic approved Roadway lighting fixtures:
1. **Standard Roadway Lighting**
    - a. Holophane Mongoose LED Medium P7, 3000K CCT, Wide Roadway, with Field adjustable output (MGLEDM-P7-30K-480-WR-VH-GRSD-AO)
    - b. Holophane Mongoose LED Medium P8, 3000K CCT, Wide Roadway, with Field adjustable output (MGLEDM-P8-30K-480-WR-VH-GRSD-AO)
    - c. Autobahn Series ATB2 – **Lee County DOT Traffic will specify when to use**
- 21.1.15 All Roadway Street Lighting shall be #6 AWG or greater.
- 21.1.16 No splicing permitted in pull boxes unless approved by Lee County DOT Traffic. *If Lee County DOT Traffic approves a splice in a pull box a Lee County DOT Traffic approved Submersible insulated connector shall be used (MORRIS 98043 2/0 Streetlight Conn 3 Port).*
- 21.1.17 **Fuse holders in pull boxes are strictly prohibited.**
- 21.1.18 Under **NO** circumstances shall phase tape be used to identify a conductor.



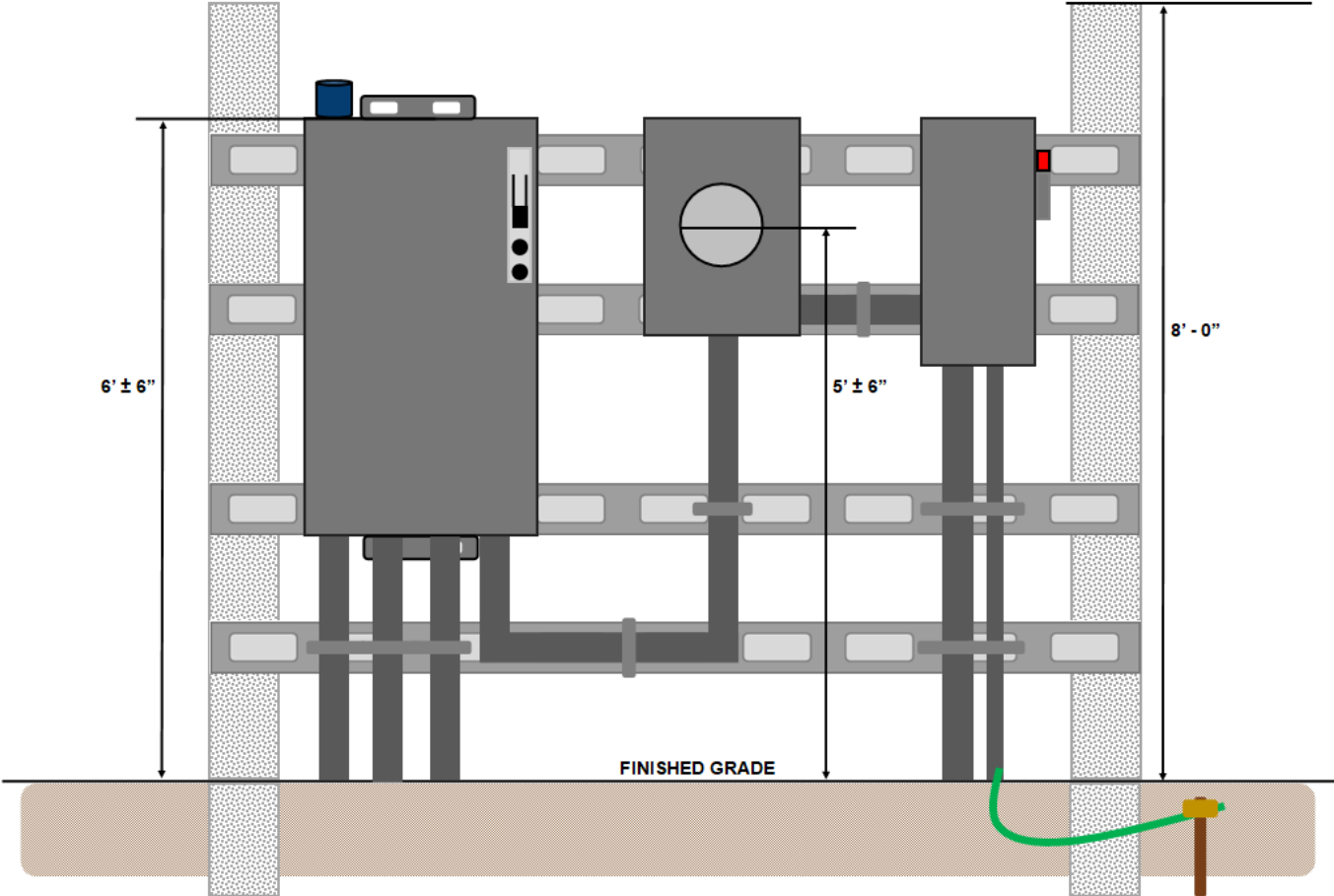
## 21.2 Installation

- 21.2.1 No splicing permitted in pull boxes unless approved by Lee County DOT Traffic. *If Lee County DOT Traffic approves a splice in a pull box a Lee County DOT Traffic approved Submersible insulated connector shall be used (MORRIS 98043 2/0 Streetlight Conn 3 Port).*
- 21.2.2 **Fuse holders in pull boxes are strictly prohibited.**
- 21.2.3 All Roadway Street Lighting shall be #6 AWG or greater.
- 21.2.4 All streetlight wiring shall be as follows:
1. **240/480VAC – two (2) conductors 240VAC with ground wire**
    - a. All luminaires shall have three (3) #10 AWG (THHN/THWN-2) Black, Red, and Green wire.
    - b. All wiring from the load center and from pole to pole shall have three (3) #6 AWG or greater (THHN/THWN-2) Black, Red, and Green wire.
- 21.2.4 Each Roadway streetlight pole shall have the following located in the T-Base. *(Not in pull box)*
1. **240/480VAC – two (2) conductors 240VAC with ground wire**
    - a. Two (2) breakaway fuse holders with lineside terminal having a Cu dual setscrew and the loadside terminal having Cu crimp connector. **(Bussmann - HEB-AW-RYC)** for each luminaire and shall be located in the hand hole compartment or T-Base.
    - b. 480VAC Surge Arrestor **(Asco Model 235 – 235480LF030AWLN0)** or **(Hesco/RLS HE480BB)** and shall be installed using Butt crimp connectors.
- 21.2.5 Street light pole assembly shall be grounded using a #6 Green AWG wire from ground to the T-Base ground terminal lug.
- 21.2.6 Conduit shall run from pole to pole.
- 21.2.7 Pull boxes shall be placed by Load centers, on each side of road crossings/driveways, multi directional conduit runs, and on continuous conduit runs exceeding five hundred (500) feet.

## 21.3 Load Center

- 21.3.1 Roadway Street Lighting electric service shall be mounted on two (2) - eight (8) inch x eight (8) inch x twelve (12) foot concrete service poles.
- 21.3.2 A 100-amp 600 VAC rated NEMA 3R non-fusible single throw safety switch disconnect (**Square D - HU363RB**) shall be installed on the concrete service poles, on the lineside of the meter socket.
- 21.3.3 All Roadway Street Lighting electrical services shall be metered. Meter socket shall be 200 Amp lever bypass NEMA 3R aluminum enclosure rated for outdoor use (Milbank UAP9551-X-QG-HSP). Meter socket shall be installed on the load side of safety switch disconnect on the concrete service poles.
- 21.3.4 Roadway Street Lighting load center enclosure cabinet shall be installed on the concrete service poles.
- 21.3.5 Roadway Street lighting Load center enclosure cabinet shall be stainless steel NEMA 3R Rainproof enclosure and approved by Lee County DOT Traffic.
- 21.3.6 The following is Lee County DOT Traffic approved Load center
  1. **Roadway street lighting Load center with needed components**
    - a. Square D Night-Master Long Version (8903-SQH63-V06)
    - b. Bussmann Fuse block 2 pole 30 amp (R60030-2CR) one (1) per each circuit  
*(four (4) circuits max per load center)*
    - c. One (1) Square D SPD 40kA 480V (SDSA3650) (mounted internally)
    - d. One (1) Intermatic Lighting photoelectric 3-Pin Locking Receptacle mounting bracket (K122)
    - e. One (1) Intermatic 480VAC twist lock photo control (LC4535LA)  
(photo control receptacle and photo control shall be mounted externally on top left of Night-Master, when facing Night-Master access door)

# 21.4 Load Center Illustration



End of Section 21

## **Grout Pad with Drain Hole**

### **Structural Grout Pad with a Drain Hole**

**A 1/2 inch tube with a maximum outside diameter of 3/4 inch for a drain hole in the grout pad structure.**

**1. Ensure all of the leveling nuts are tightened against the structural base plate to proper spec using a wrench.**

**2. Cleaning the top of the foundation.**



**If Foundation has mildew on top and under the structure.**





**A chlorine solution is used to remove the mildew from the top of the foundation.**



**The chlorine solution is then washed off.**





**The water and any residue is then blown off with high pressure air.**



### 3. Constructing the form



**Forms can be constructed from old aluminum signage or bender board.**



**Blocks are screwed to the form for mounting of the form to the top of the foundation.**





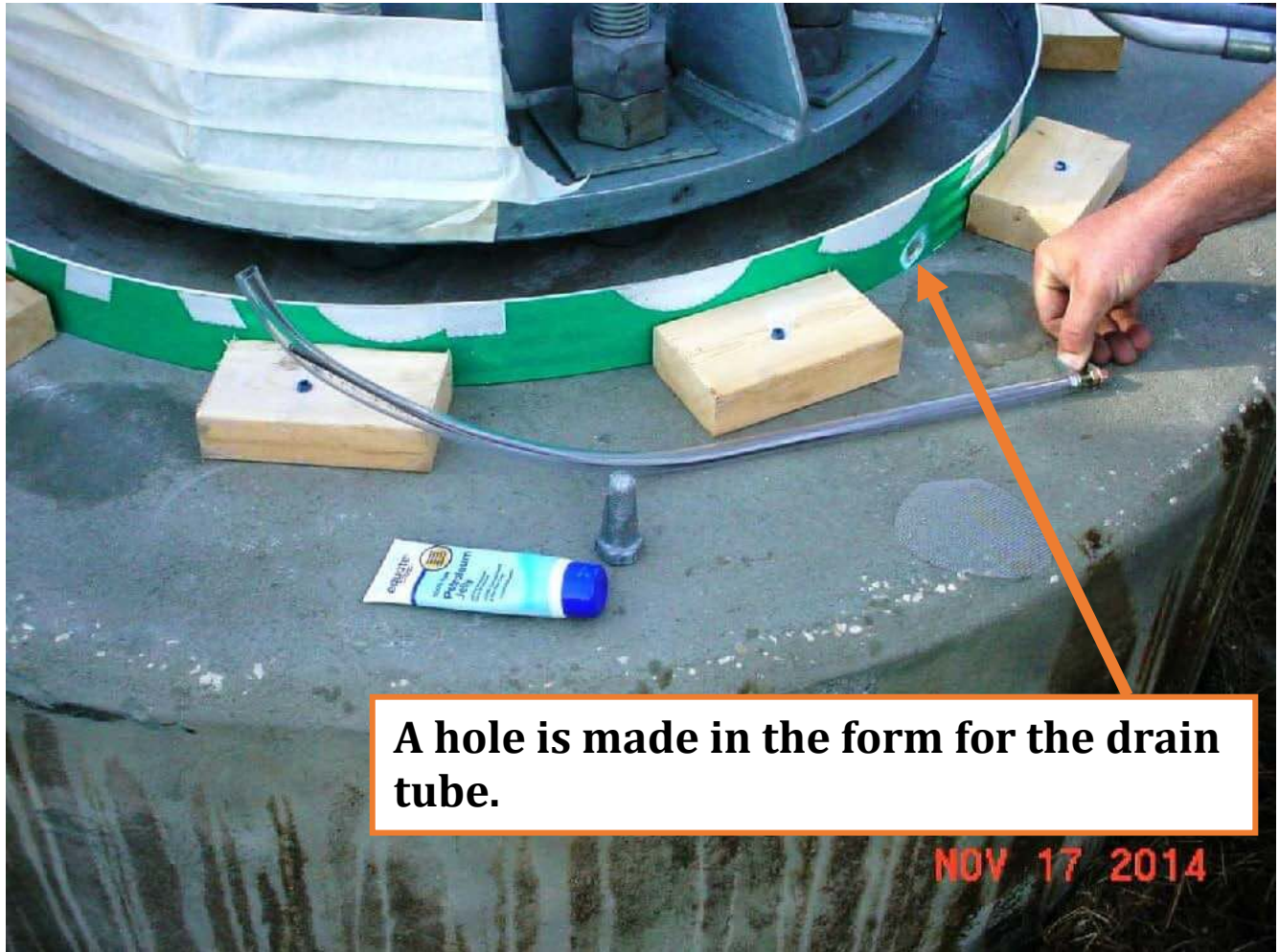
**The form is then installed to the top of the foundation with tap-cons and spacer blocks.**



**The form is now installed where the top of the form is above the bottom of the structure base plate.**



#### 4. Installing the Drain Hole.



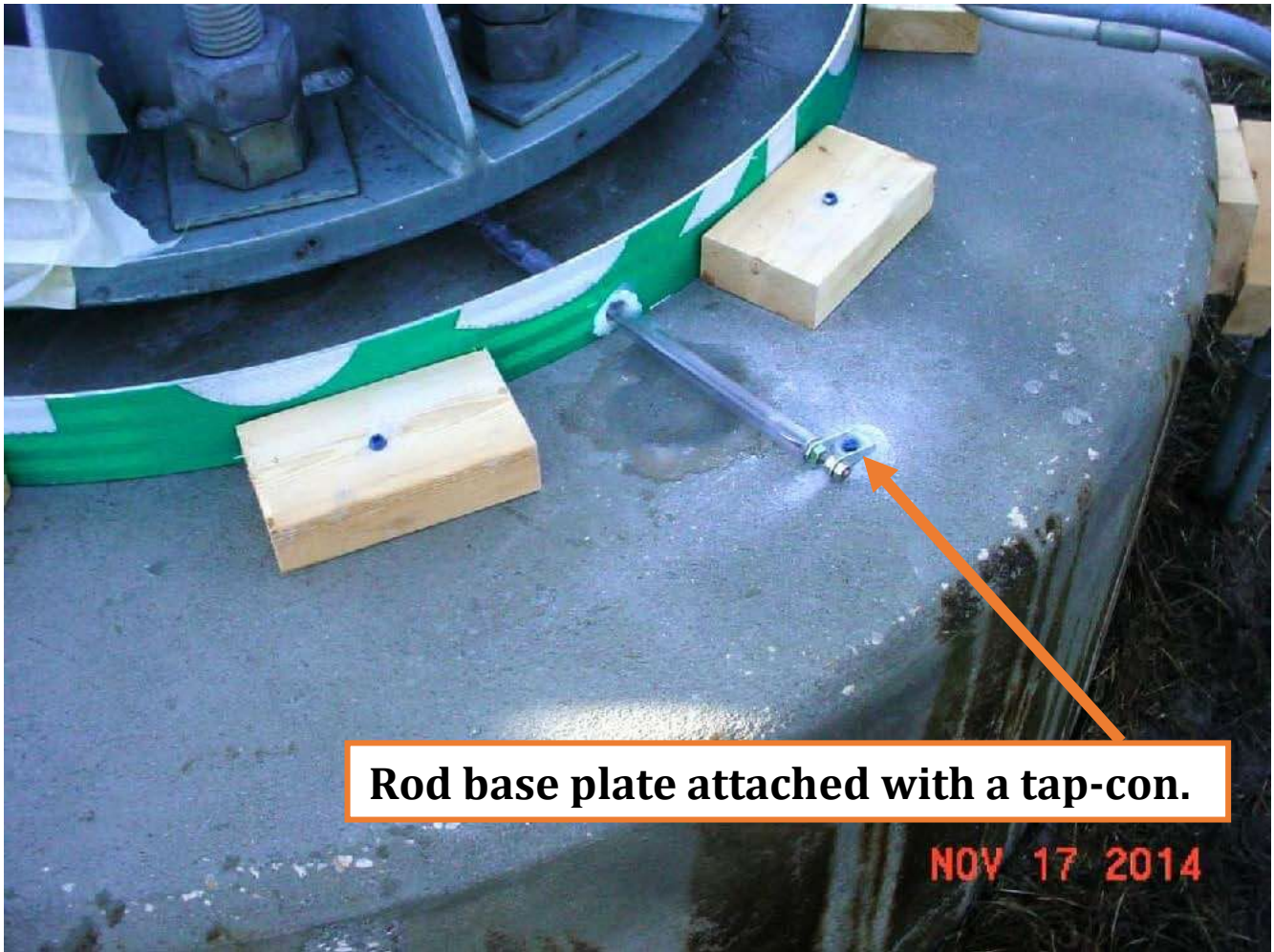
**A hole is made in the form for the drain tube.**

**A ¼ inch rod is pre-formed with a base plate and inserted inside the tube to hold the tube in the proper position until the grout has set.**



**The tube is then covered with petroleum based lubricant before it is reinstalled on the rod.**





**Rod base plate attached with a tap-con.**

**The lubricated tubing is then installed on the rod and inserted thru the form and the base of the rod is screwed to the top of the foundation to hold it in place.**

## 5. Mixing the grout.



**A suitable mixing container with a mixing paddle is used with this bag pour.**



## 6. Pouring Grout



**The grout is then poured on one side as much as possible.**



**Typical grout filled form.**





**With a trowel the outside top edge is rounded as the grout is setting.**

## 7. Removing the drain hole tube



**When the grout is set enough remove rod base plate, rod, and tube from the foundation.**



## 8. Removing the form



**After the grout has cured, remove the form.**

## 9. Sealing the grout



**The grout is then sealed with a curing compound.**



# 10. Plugging the drain hole



A piece of aluminum screen is then preformed around a bolt.



**The preformed screen is then inserted into the drain hole to keep out debris and vermin.**



## 11. Completed structural grout pad with a drain



**The screen can be removed for cleaning.**



**Typical completed structural grout pad.**

