

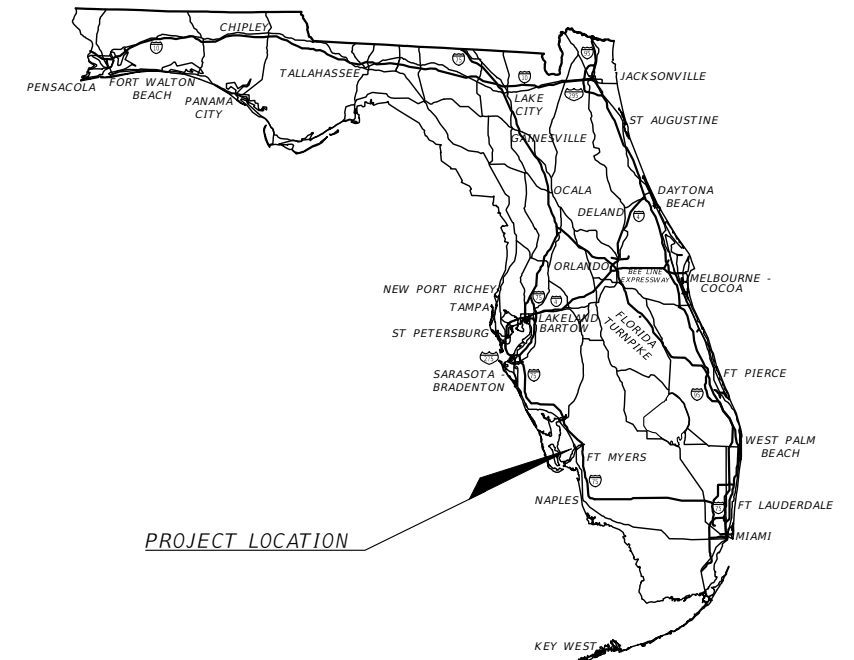
**LEE COUNTY
DEPARTMENT OF TRANSPORTATION**

CONTRACT PLANS

FINANCIAL PROJECT ID 442000-1-54-01

LITTLETON ROAD WIDENING
FROM CORBETT ROAD TO U.S. 41
LEE COUNTY (12)

LIGHTING PLANS



INDEX OF LIGHTING PLANS

SHEET NO.	SHEET DESCRIPTION
L-1	KEY SHEET
L-2	SIGNATURE SHEET
L-3	TABULATION OF QUANTITIES
L-4 THRU L-5	GENERAL NOTES
L-6	LIGHTING DATA TABLE AND LEGEND
L-7 THRU L-18	LIGHTING PLAN
L-19 THRU L-20	UTILITY CONFLICT LIGHT POLE DETAILS
L-21	GRAVITY WALL LIGHT POLE SPECIAL FOUNDATION DETAILS
L-22	STREETLIGHT POLE WIRING DETAIL
L-23	STREET LIGHTING SERVICE POINT DETAIL

GOVERNING STANDARD PLANS:
Florida Department of Transportation, FY2021-22 Standard plans for Road and Bridge Construction and applicable Interim Revisions (IRs).

Standard Plans for Road Construction and associated IRs are available at the following website:
<http://www.fdot.gov/design/Standardplans.shtm>

GOVERNING STANDARD SPECIFICATIONS:
Florida Department of Transportation, January 2021 Standard Specifications for Road and Bridge Construction at the following website:
<http://www.fdot.gov/programmanagement/Implemented/SpecBooks>

Lee County Department of Transportation, January 2021 or latest edition, Plan Specifications for Traffic Signal and Street Lighting at the following website:
<http://www.leegov.com/dot/traffic/trafficstandard>

REVISIONS:

⚠ Lighting Sheets L-3, L-7, L-8, L-9, L-10, L-11, L-12, L-13, L-14, L-15, L-16, L-17 and L-18 (Revised 04/28/23)

KEY SHEET REVISIONS

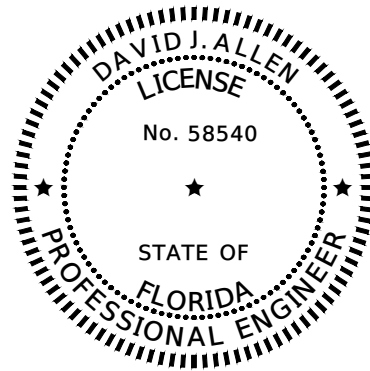
DATE	DESCRIPTION

LIGHTING PLANS
ENGINEER OF RECORD:

DAVID J. ALLEN, P.E.
P.E. NO.: 58540
STANTEC, INC
3905 CRESCENT PARK DRIVE
RIVERVIEW, FLORIDA 33578

LCDOT PROJECT MANAGER:
KEITH RIDDLE, CGC

CIP NO.	CONTRACT NO.	FISCAL YEAR	SHEET NO.
5028	CN190114	2021	L-1



THIS ITEM HAS BEEN DIGITALLY
SIGNED AND SEALED BY

ON THE DATE ADJACENT TO THE SEAL

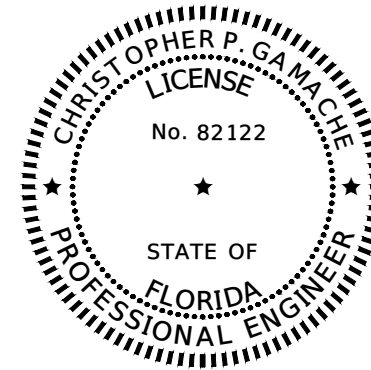
PRINTED COPIES OF THIS DOCUMENT ARE
NOT CONSIDERED SIGNED AND SEALED
AND THE SIGNATURE MUST BE VERIFIED
ON ANY ELECTRONIC COPIES.

STANTEC, INC
3905 CRESCENT PARK DRIVE
RIVERVIEW, FL 33578
DAVID J. ALLEN, P.E. NO. 58540

THE ABOVE NAMED PROFESSIONAL ENGINEER SHALL BE RESPONSIBLE FOR THE FOLLOWING SHEETS IN
ACCORDANCE WITH RULE 61G15-23.004, F.A.C.

INDEX OF LIGHTING PLANS

<u>SHEET NO.</u>	<u>SHEET DESCRIPTION</u>
L-1	KEY SHEET
L-2	SIGNATURE SHEET
L-3	TABULATION OF QUANTITIES
L-4 TO L-5	GENERAL NOTES
L-6	POLE DATA AND LEGEND
L-7 TO L-18	LIGHTING PLAN
L-19	UTILITY CONFLICT LIGHT POLE DETAILS (1)
L-22	STREETLIGHT POLE WIRING DETAIL
L-23	STREET LIGHTING SERVICE POINT DETAIL



THIS ITEM HAS BEEN DIGITALLY
SIGNED AND SEALED BY

ON THE DATE ADJACENT TO THE SEAL

PRINTED COPIES OF THIS DOCUMENT ARE
NOT CONSIDERED SIGNED AND SEALED
AND THE SIGNATURE MUST BE VERIFIED
ON ANY ELECTRONIC COPIES.

STANTEC, INC
380 PARK PLACE BOULEVARD, SUITE 300
CLEARWATER, FL 33759
CHRISTOPHER P. GAMACHE, P.E. NO. 82122

THE ABOVE NAMED PROFESSIONAL ENGINEER SHALL BE RESPONSIBLE FOR THE FOLLOWING SHEETS IN
ACCORDANCE WITH RULE 61G15-23.004, F.A.C.

INDEX OF LIGHTING PLANS

<u>SHEET NO.</u>	<u>SHEET DESCRIPTION</u>
L-2	SIGNATURE SHEET
L-20	UTILITY CONFLICT LIGHT POLE DETAILS (2)
L-21	GRAVITY WALL LIGHT POLE SPECIAL FOUNDATION DETAILS

REVISIONS				DAVID J. ALLEN, P.E. P.E. LICENSE NUMBER 58540 STANTEC, INC. 3905 CRESCENT PARK DRIVE RIVERVIEW, FLORIDA 33578	LEE COUNTY DEPARTMENT OF TRANSPORTATION			<i>SIGNATURE SHEET</i>	SHEET NO.
DATE	DESCRIPTION	DATE	DESCRIPTION		ROAD NAME	COUNTY	CONTRACT NO.		L-2
					LITTLETON ROAD	LEE	CN190114		

TABULATION OF QUANTITIES

PAY ITEM NO.	DESCRIPTION	UNIT	SHEET NUMBERS												TOTAL THIS SHEET		GRAND TOTAL			
			L-7		L-8		L-9		L-10		L-11		L-12		L-13		PLAN	FINAL	PLAN	FINAL
			PLAN	FINAL	PLAN	FINAL	PLAN	FINAL	PLAN	FINAL	PLAN	FINAL	PLAN	FINAL	PLAN	FINAL				
630-2-11	CONDUIT, FURNISH & INSTALL, OPEN TRENCH	LF	270		140		305		560		455		285		560		2575			
630-2-12	CONDUIT, FURNISH & INSTALL, DIRECTIONAL BORE	LF	450		980		1145		565		665		1045		565		5415			
635-2-11	PULL & SPLICE BOX, F&I, 17" x 30" COVER SIZE	EA	4		3		5		4		2		7		2		27			
639-1-122	ELECTRICAL POWER SERVICE, F&I, UNDERGROUND, METER PURCHASED BY CONTRACTOR	AS					1						1				2			
639-2-1	ELECTRICAL SERVICE WIRE, FURNISH & INSTALL	LF					20						20				40			
641-2-12	PRESTRESSED CONCRETE POLE, F&I, TYPE P-II SERVICE POLE (12')	EA					2						2				4			
715-1-12	LIGHTING CONDUCTORS, F&I, INSULATED, NO. 8 - 6	LF	495				975						630				2100			
715-1-60	LIGHTING CONDUCTORS, REMOVE & DISPOSE, CONTRACTOR OWNS	LF	420														420			
715-4-11	LIGHT POLE COMPLETE, F&I STANDARD POLE, STANDARD FOUNDATION, 30' MOUNTING HEIGHT	EA					1										1			
715-4-31	LIGHT POLE COMPLETE, F&I UTILITY CONFLICT POLE, STANDARD FOUNDATION, 30' MOUNTING HEIGHT	EA	1				3						1				5			
715-4-41	LIGHT POLE COMPLETE, F&I UTILITY CONFLICT POLE, SPECIAL FOUNDATION, 30' MOUNTING HEIGHT	EA																		
715-4-70	LIGHT POLE COMPLETE, REMOVE POLE AND FOUNDATION	EA	1														1			
715-7-11	LOAD CENTER, F&I, SECONDARY VOLTAGE	EA					1						1				2			
715-11-400	LUMINAIRE, RELOCATE	EA	1														1			
715-500-1	POLE CABLE DISTRIBUTION SYSTEM, FURNISH AND INSTALL, CONVENTIONAL	EA	1				4										7			
715-511-125	LIGHT POLE COMPLETE- SPECIAL DESIGN, F&I, SINGLE ARM SHOULDER MOUNT, ALUMINUM, 25'	EA											1				1			

TABULATION OF QUANTITIES

PAY ITEM NO.	DESCRIPTION	UNIT	SHEET NUMBERS												TOTAL THIS SHEET		GRAND TOTAL			
			L-14		L-15		L-16		L-17		L-18				PLAN	FINAL	PLAN	FINAL		
			PLAN	FINAL	PLAN	FINAL	PLAN	FINAL	PLAN	FINAL	PLAN	FINAL	PLAN	FINAL						
630-2-11	CONDUIT, FURNISH & INSTALL, OPEN TRENCH	LF	300				345		440								1085		3660	
630-2-12	CONDUIT, FURNISH & INSTALL, DIRECTIONAL BORE	LF	1020		1125		930		640		380						4095		9510	
635-2-11	PULL & SPLICE BOX, F&I, 17" x 30" COVER SIZE	EA	5		1		7		5		2						20		47	
639-1-122	ELECTRICAL POWER SERVICE, F&I, UNDERGROUND, METER PURCHASED BY CONTRACTOR	AS					1										2		4	
639-2-1	ELECTRICAL SERVICE WIRE, FURNISH & INSTALL	LF					60										80		120	
641-2-12	PRESTRESSED CONCRETE POLE, F&I, TYPE P-II SERVICE POLE (12')	EA					2										4		8	
715-1-12	LIGHTING CONDUCTORS, F&I, INSULATED, NO. 8 - 6	LF	585				330										915		3015	
715-1-60	LIGHTING CONDUCTORS, REMOVE & DISPOSE, CONTRACTOR OWNS	LF																	420	
715-4-11	LIGHT POLE COMPLETE, F&I STANDARD POLE, STANDARD FOUNDATION, 30' MOUNTING HEIGHT	EA																	1	
715-4-31	LIGHT POLE COMPLETE, F&I UTILITY CONFLICT POLE, STANDARD FOUNDATION, 30' MOUNTING HEIGHT	EA	2														2		7	
715-4-41	LIGHT POLE COMPLETE, F&I UTILITY CONFLICT POLE, SPECIAL FOUNDATION, 30' MOUNTING HEIGHT	EA					2										2		2	
715-4-70	LIGHT POLE COMPLETE, REMOVE POLE AND FOUNDATION	EA																	1	
715-7-11	LOAD CENTER, F&I, SECONDARY VOLTAGE	EA	1				1										2		4	
715-11-400	LUMINAIRE, RELOCATE	EA																	1	
715-500-1	POLE CABLE DISTRIBUTION SYSTEM, FURNISH AND INSTALL, CONVENTIONAL	EA	2				2										4		11	
715-511-125	LIGHT POLE COMPLETE- SPECIAL DESIGN, F&I, SINGLE ARM SHOULDER MOUNT, ALUMINUM, 25'	EA																	1	

REVISIONS			
DATE	DESCRIPTION	DATE	DESCRIPTION
4/28/23	Revise quantities.		

DAVID J. ALLEN, P.E.
P.E. LICENSE NUMBER 58540
STANTEC, INC.
3905 CRESCENT PARK DRIVE
RIVERVIEW, FLORIDA 33578

LEE COUNTY
DEPARTMENT OF TRANSPORTATION

ROAD NAME	COUNTY	CONTRACT NO.
LITTLETON ROAD	LEE	CN190114

TABULATION OF QUANTITIES

SHEET NO.
L-3

THE OFFICIAL RECORD OF THIS SHEET IS THE ELECTRONIC FILE DIGITALLY SIGNED AND SEALED UNDER RULE 61G15-23.004, F.A.C.

GENERAL NOTES

1. DAMAGE TO EXISTING FACILITIES:

ANY DAMAGE TO LEE COUNTY FACILITIES SHALL BE REPAIRED BY THE CONTRACTOR. REPAIRS SHALL BE MADE TO ENSURE FACILITIES ARE LIKE NEW OR BETTER. ANY DAMAGE TO EXISTING COMMUNICATION LINES SHALL NECESSITATE THE REMOVAL OF ALL DAMAGED LINES AND THE RE-PULLING OF NEW CABLE. SPLICING OF COMMUNICATION LINES WILL NOT BE ALLOWED. CAUTION SHALL BE EXERCISED DURING EXCAVATION NEAR EXISTING LEE COUNTY FIBER OPTIC LINES, SINCE MANY ENTITIES USE THESE FACILITIES. SHOULD DAMAGE OCCUR TO FIBER OPTIC LINES, LEE COUNTY WILL DECIDE WHICH QUALIFIED FIBER OPTIC SPLICING COMPANY WILL BE USED TO MAKE REPAIRS. CONTRACTOR WILL BE RESPONSIBLE FOR ALL REPAIR COSTS INCURRED, WHETHER REPAIRS ARE MADE BY LEE COUNTY OR A THIRD PARTY.

2. NOTIFICATIONS:

PRIOR TO THE START OF ANY CONSTRUCTION OF TRAFFIC SIGNALS, STREET LIGHTING, RRFBS, FLASHERS, SCHOOL FLASHERS AND ITS DEVICES, LEE COUNTY DOT TRAFFIC SHALL BE NOTIFIED VIA EMAIL LCDOTPROJECTS@LEEGOV.COM AT LEAST TEN (10) BUSINESS DAYS PRIOR.

3. PRELIMINARY PRODUCT AND EQUIPMENT DATA SUBMITTAL:

PRIOR TO INSTALLATION OR WITHIN THIRTY (30) DAYS AFTER THE PRECONSTRUCTION MEETING, WHICHEVER COMES FIRST, SUBMIT TO LEE COUNTY DOT TRAFFIC FOR APPROVAL, A COMPLETED SUBMITTAL PACKAGE THAT INCLUDES THE FOLLOWING. ALL TRAFFIC CONTROL SIGNAL DEVICES, STREET LIGHTING AND HARDWARE THAT WILL BE USED ON THE PROJECT. SUBMITTAL PACKAGE SHALL ALSO INCLUDE SHOP DRAWINGS FOR STRUCTURAL SUPPORT MATERIAL AND OTHER SPECIAL DESIGNS, SUCH AS NON-ELECTRICAL, NON-MECHANICAL, OR OTHER FABRICATED ITEMS WHICH MAY NOT BE SPECIFICALLY DETAILED IN THE PLANS VIA EMAIL LCDOTPROJECTS@LEEGOV.COM

4. INSPECTIONS:

IT IS REQUIRED TO HAVE AN AUTHORIZED REPRESENTATIVE AND THE NECESSARY EQUIPMENT TO COMPLETE THE INSPECTIONS ONSITE AT ALL SIGNAL AND LIGHTING INSPECTIONS. FAILURE TO HAVE A REPRESENTATIVE ONSITE WILL RESULT IN THE CANCELLATION OF THE INSPECTION AND THE WITHHOLDING OF FINAL PAYMENT. AUTHORIZED REPRESENTATIVE IS A PERSON WITH THE KNOWLEDGE AND ABILITY TO MAKE CORRECTIONS AS NEEDED. THIS IS A REQUIREMENT AND IS NECESSARY TO ELIMINATE COSTLY RE-INSPECTIONS AND TO SPEED UP THE CLOSE OUT OF THE PROJECT.

5. GROUNDING:

EACH ELECTRICAL SERVICE SHALL HAVE A MINIMUM OF TWENTY (20) FEET OF DRIVEN GROUND ROD. GROUND RODS MUST READ 5 OHMS OR LESS WHEN TESTED AFTER INSTALLATION.

EACH STREET LIGHT POLE SHALL HAVE A MINIMUM OF TWENTY (20) FEET OF DRIVEN GROUND ROD. GROUND RODS SHALL READ LESS THAN 15 OHMS WHEN TESTED AFTER INSTALLATION.

ALL GROUND RODS SHALL BE INSTALLED IN A PULL BOX. TOP OF GROUND ROD SHALL BE TWO (2) INCHES ABOVE TOP OF ROCK IN PULL BOX, FOR A CONCRETE STRAIN POLE, INSTALL GROUND ROD IN PULL BOX NEXT TO POLE.

ALL GROUND ROD READINGS SHALL BE NOTED ON A GROUND ROD SHEET. GROUND ROD READINGS SHALL BE RECORDED AT 10 FOOT INTERVALS (620-3.2) AND SUBMITTED TO LEE COUNTY DOT TRAFFIC PRIOR TO INSPECTION.

6. FOUNDATIONS:

FOR STANDARD LIGHT POLE FOUNDATIONS, USE THE FOUNDATION TABLES AND FOUNDATION NOTES SPECIFIED IN THE FDOT STANDARD PLANS INDEX 715-002. FOR LOCATION NEAR UTILITIES, HAND DIG THE FIRST FOUR FEET. FOR THE FOUNDATIONS IN THE GRAVITY WALL, SEE THE GRAVITY WALL LIGHT POLE SPECIAL FOUNDATION DETAILS. NO SCREW TYPE BASE FOUNDATIONS SHALL BE USED.

7. AS-BUILT DRAWINGS:

WHEN CONSTRUCTION IS COMPLETE, AS A CONDITION PRECEDENT TO FINAL ACCEPTANCE, PROVIDE A SIGNED AND SEALED AS-BUILT DRAWINGS, EITHER BY A STATE OF FLORIDA LICENSED PROFESSIONAL ENGINEER OR A PROFESSIONAL SURVEYOR AND MAPPER. THE CONTRACTOR SHALL PROVIDE A SET OF "AS-BUILT" PLANS IN ELECTRIC FORMAT FORM (PFD) TO LCDOTPROJECTS@LEEGOV.COM.

8. THE LOCATIONS OF EXISTING UTILITIES, AS SHOWN IN THE PLANS, ARE APPROXIMATE AND BASED ON THE INFORMATION FURNISHED TO THE ENGINEER BY THE UTILITY OWNER(S) AND ARE SHOWN AS NOTICE TO CONTRACTOR THAT UNDERGROUND UTILITIES EXIST. THE CONTRACTOR SHALL NOTIFY THE UTILITY COMPANY OWNER(S) FOR LOCATION AND STAKING OF UNDERGROUND FACILITIES BEFORE EXCAVATING.

9. BEFORE EXCAVATING, IT IS REQUIRED THAT NOTICE BE GIVEN TO SUNSHINE 811 A MINIMUM OF TWO (2) FULL BUSINESS DAYS BEFORE WORK BEGINS. NOT ALL UTILITY COMPANIES ARE MEMBERS OF SUNSHINE 811.

10. THE LOCATIONS OF THE CONDUITS AND PULL BOXES ARE DIAGRAMMATIC ONLY AND MAY BE SHIFTED WITHIN THE RIGHT-OF-WAY BY THE CONTRACTOR WITH APPROVAL FROM THE ENGINEER TO ACCOMMODATE LOCAL CONDITIONS AND EXISTING UTILITY LOCATIONS. LIGHT POLE LOCATIONS CAN BE ADJUSTED WITH AN APPROVAL FROM THE ENGINEER.

11. CIRCUIT CONDUIT SHALL GO STRAIGHT TO THE PROPOSED LIGHT POLE FOUNDATION. ALL SPLICES SHALL BE DONE WITHIN THE TRANSFORMER BASES.

12. THE MIDBLOCK LIGHTING SHALL BE MAINTAINED BY THE LEE COUNTY DEPARTMENT OF TRANSPORTATION UPON FINAL ACCEPTANCE.

13. LIGHT POLES AND PULL BOXES SHALL NOT BE LOCATED IN DRAINAGE SWALES, DITCHES, WETLANDS, DRIVEWAYS, SURFACE WATER, PAVED SHOULDERS OR PEDESTRIAN RAMPS.

14. THE CONTRACTOR SHALL BE AWARE THAT NO TEST BORINGS WERE MADE WHERE CONDUIT OR PULL BOXES ARE TO BE INSTALLED. THE CONTRACTOR SHALL BE RESPONSIBLE FOR EXAMINING THE JOB SITE CONDITIONS BEFORE SUBMITTING BID PROPOSALS.

15. ALL EXCESS DIRT AND DEBRIS EXCAVATED FROM POLE FOUNDATIONS SHALL BE REMOVED DAILY TO AREAS APPROVED BY THE ENGINEER AND PAID FOR UNDER THE LIGHT POLE COMPLETE PAY ITEM NUMBERS.

LIGHTING CONDUIT LEGEND

LC = LIGHTING CONDUIT
 SP = SPARE CONDUIT
 FC = FUTURE USE CONDUIT

PAY ITEM NOTES

630-2-11, 630-2-12:

CONDUIT STREET CROSSINGS SHALL BE A MINIMUM OF TWO (2) EACH HDPE CONDUITS AND APPROVED FOR ELECTRICAL USE (GRAY). ALL OTHER UNDERGROUND CONDUITS SHALL BE SCHEDULE 40 PVC. NO THIN WALL CONDUIT IS ALLOWED. TWENTY (20) FOOT LENGTHS ON RUNS OVER TWENTY (20) FEET SHALL BE USED.

CONDUIT RUNS FOR STREET LIGHTING SHALL BE TWO (2) INCH MINIMUM.

SPARE CONDUIT AT PAVEMENT CROSSINGS SHALL BE CAPPED AT BOTH ENDS.

ANY CONDUIT ABOVE GROUND SHALL BE RIGID GALVANIZED STEEL CONDUIT OR SCHEDULE 80 PVC.

CONDUIT SHALL BE INSTALLED AT A MINIMUM DEPTH OF THIRTY-SIX (36) INCHES.

ALL ROCKS AND TRASH SHALL BE REMOVED FROM THE TRENCH. BACKFILL SHALL BE CLEAN AND CONTAIN NO ROCKS.

OBSERVE MAXIMUM NUMBER OF CONDUITS ALLOWED IN A PULL BOX PER NEC. INSTALL PER FDOT STANDARD PLANS.

CONDUITS TWO (2) INCH AND LARGER SHALL HAVE A THREADED BUSHING INSTALLED AT EACH END, OR A SLIP OVER BUSHING TO PROTECT CABLE.

BOTH ENDS OF ALL CONDUITS SHALL BE SEALED WITH DUCT SEAL.

DIRECTIONAL BORE CONDUIT SHALL BE A MINIMUM OF SDR 13.5 AND SHALL BE GRAY IN COLOR.

NO POTHOLES CUT IN PAVEMENT ARE ALLOWED TO LOCATE EXISTING UTILITIES UNLESS APPROVAL IS OBTAINED FROM THE ENGINEERING SERVICE DIRECTOR.

ANY BORES THAT FAIL ARE TO BE REMOVED. IF REMOVAL IS NOT POSSIBLE, ENDS SHALL BE CUT OFF AT A DEPTH OF 36" BELOW GROUND AND THE CONDUIT FILLED WITH GROUT.

ALL ROAD AND DRIVEWAY CROSSINGS SHALL BE A MINIMUM OF THIRTY-SIX (36) INCHES DEEP.

REVISIONS				DAVID J. ALLEN, P.E. P.E. LICENSE NUMBER 58540 STANTEC, INC. 3905 CRESCENT PARK DRIVE RIVERVIEW, FLORIDA 33578	LEE COUNTY DEPARTMENT OF TRANSPORTATION			GENERAL NOTES (1)	SHEET NO.
DATE	DESCRIPTION	DATE	DESCRIPTION		ROAD NAME	COUNTY	CONTRACT NO.		
						LITTLETON ROAD	LEE		CN190114

PAY ITEM NOTES (CONT.)

ALL HOLES CAUSED BY EQUIPMENT SHALL BE BACKFILLED AND GROUND RESTORED.

IF THE DISTANCE IS TOO FAR TO COMPLETE THE BORE IN ONE ATTEMPT, THEN THE CONTRACTOR SHALL USE "E LOCK" COUPLINGS TO CONNECT THE BORES TOGETHER.

ALL FUTURE USE CONDUIT DESIGNATED WITH (FC) ON THE PLAN SHEETS SHALL BE TWO (2) INCHES AND WEATHER TIGHT SEALED AT ALL PULL BOX SWEEP-UPS AND BE POPULATED WITH ONLY PULL WIRE AND LOCATE WIRE PER FDOT SPECIFICATIONS. THE SEALS SHALL BE ABLE TO BE REMOVED WHEN NECESSARY. ALL SINGLE RUN FUTURE USE CONDUIT SHALL HAVE A #10 AWG ORANGE THHN/THWN-2 LOCATE WIRE INSTALLED IN IT. AT BORE CROSSINGS UNDER SIDE STREETS AND DESIGNATED WITH TWO RUNS, ONE CONDUIT SHALL HAVE A #10 AWG ORANGE THHN/THWN-2 LOCATE WIRE AND THE OTHER CONDUIT SHALL HAVE A MULE TAPE INSTALLED.

635-2-11:
PULL BOXES SHALL BE POLYMER CONCRETE CONSTRUCTION (QUAZITE), HAVE ANSI TIER RATING OF T22 AND DESIGN LOAD RATING OF 22,500 LBS. NO EXCEPTIONS WILL BE PERMITTED. MINIMUM PULL BOX SIZE SHALL BE AS FOLLOWS:

- STREET LIGHTING 17" X 30" X 12" - (PG1730BA12)

PULL BOX COVERS SHALL BE POLYMER CONCRETE CONSTRUCTION (QUAZITE), HAVE ANSI TIER RATING OF T22 AND DESIGN LOAD RATING OF 22,500 LBS. AND MARKED APPROPRIATELY, "STREET LIGHTING", NO EXCEPTIONS WILL BE PERMITTED.

- 17" X 30" COVER - "SIGNAL LIGHTING" - (PG1730HH0041)

PULL BOXES SHALL BE SIZED TO ACCOMMODATE THE MAXIMUM NUMBER OF PIPES ALLOWED PER NEC AND TO COMPLY WITH CABLE MANUFACTURER'S BEND RADIUS.

PULL BOXES DESIGNATED WITH (LC) SHALL BE FOR THE PROPOSED LIGHTING AND WILL HOUSE ONLY THE PROPOSED LIGHTING CONDUIT ENDS. PULL BOXES DESIGNATED WITH (FC) SHALL BE FOR FUTURE USE AND SHALL ONLY HOUSE THE FUTURE USE CONDUIT ENDS.

PULL BOXES SHALL BE INSTALLED ON A BED OF GRAVEL WITH A MINIMUM DEPTH OF TWELVE (12) INCHES. GRAVEL SHALL BE # 57 STONE OR EQUIVALENT. GRAVEL SHALL BE INSTALLED INSIDE THE PULL BOX TO A LEVEL OF TWO (2) INCHES BELOW TOP OF CONDUITS.

CONDUIT IN A PULL BOX SHALL BE NO HIGHER THAN HALF THE DEPTH OF THE PULL BOX AND SHALL BE CENTERED.

ALL PULL BOXES SHALL HAVE A CONCRETE APRON. APRON SHALL BE ONE (1) FOOT WIDE X SIX (6) INCHES DEEP AND SHALL HAVE A FINISHED EDGE AND SURFACE.

639-1-122:
POWER SERVICE ASSEMBLY SHALL BE MOUNTED WITH THE LOAD CENTER AS SHOWN IN THE STREET LIGHTING SERVICE POINT DETAIL SHEET IN THE PLANS. THE POWER SERVICE ASSEMBLY SHALL BE THREE WIRE SINGLE PHASE 120V/240V POWER SERVICE.

715-4-11:
THIS PAY ITEM SHALL INCLUDE AN 8-FOOT ALUMINUM BRACKET ARM ON A STANDARD STYLE ALUMINUM POLE WITH TRANSFORMER BASE AND A FDOT STANDARD FOUNDATION, WIRING AND A LED LUMINAIRE SPECIFIED ON THE LIGHTING DATA TABLE AND LEGEND SHEET.

THIS PAY ITEM SHALL ALSO INCLUDE FURNISHING THE LUMINAIRE HOUSESIDE SHIELD AND THE FIELD ADJUSTABLE OUTPUT MODULES (FAO). EACH LUMINAIRE SHALL HAVE THE FAO SWITCH DIALED TO THE APPROPRIATE AO POSITION AS SPECIFIED ON LIGHTING DATA TABLE AND LEGEND SHEET, THE LUMINAIRE MOUNTING HEIGHT IS 30 FEET ABOVE GRADE. THE LUMINAIRE SHALL BE POWERED FROM THE POWER SERVICE ASSEMBLY. ALL LIGHTING WILL BE ON A DESIGNATED LIGHTING CIRCUIT BREAKER AND CONTROLLED BY A PHOTOCCELL.

715-4-31:
THIS PAY ITEM SHALL INCLUDE A 15-FOOT ALUMINUM BRACKET ARM ON A UTILITY CONFLICT STYLE ALUMINUM POLE WITH TRANSFORMER BASE AND A FDOT STANDARD FOUNDATION, WIRING AND A LED LUMINAIRE SPECIFIED ON THE LIGHTING DATA TABLE AND LEGEND SHEET.

THIS PAY ITEM SHALL ALSO INCLUDE FURNISHING THE LUMINAIRE HOUSESIDE SHIELD AND THE FIELD ADJUSTABLE OUTPUT MODULES (FAO). EACH LUMINAIRE SHALL HAVE THE FAO SWITCH DIALED TO THE APPROPRIATE AO POSITION AS SPECIFIED ON LIGHTING DATA TABLE AND LEGEND SHEET, THE LUMINAIRE MOUNTING HEIGHT IS 30 FEET ABOVE GRADE. FOR ADDITIONAL INFORMATION ON THE UTILITY CONFLICT POLE, SEE THE UTILITY CONFLICT POLE DETAILS. THE LUMINAIRE SHALL BE POWERED FROM THE POWER SERVICE ASSEMBLY. ALL LIGHTING WILL BE ON A DESIGNATED LIGHTING CIRCUIT BREAKER AND CONTROLLED BY A PHOTOCCELL.

715-4-41:
THIS PAY ITEM SHALL INCLUDE A 15-FOOT ALUMINUM BRACKET ARM ON A UTILITY CONFLICT STYLE ALUMINUM POLE WITH TRANSFORMER BASE AND A GRAVITY WALL SPECIAL FOUNDATION AS DETAILED IN THE PLANS, WIRING AND A LED LUMINAIRE SPECIFIED ON THE LIGHTING DATA TABLE AND LEGEND SHEET.

THIS PAY ITEM SHALL ALSO INCLUDE THE LUMINAIRE HOUSESIDE SHIELD AND THE FIELD ADJUSTABLE OUTPUT MODULES (FAO). EACH LUMINAIRE SHALL HAVE THE FAO SWITCH DIALED TO THE APPROPRIATE AO POSITION AS SPECIFIED ON LIGHTING DATA TABLE AND LEGEND SHEET, THE LUMINAIRE MOUNTING HEIGHT IS 30 FEET ABOVE GRADE. FOR ADDITIONAL INFORMATION ON THE UTILITY CONFLICT POLE, SEE THE UTILITY CONFLICT POLE DETAILS. THE LUMINAIRE SHALL BE POWERED FROM THE POWER SERVICE ASSEMBLY. ALL LIGHTING WILL BE ON A DESIGNATED LIGHTING CIRCUIT BREAKER AND CONTROLLED BY THE LOAD CENTER PHOTOCCELL.

715-4-70:
THIS PAY ITEM SHALL INCLUDE THE REMOVAL OF THE LIGHT POLE, PULL BOX, CONCRETE MAINTENANCE PAD AND FOUNDATION. THE LIGHT POLE SHALL BE DELIVERED TO LEE COUNTY DEPARTMENT OF TRANSPORTATION. COORDINATE WITH THE COUNTY TO DETERMINE LOCATION AND TIME OF DELIVERY. THE COST OF DELIVERY IS INCLUDED UNDER THIS PAY ITEM.

715-7-11:
THIS PAY ITEM SHALL INCLUDE THE COST OF LABOR AND MATERIALS FOR A COMPLETE LEE COUNTY SPECIFIED LOAD CENTER. ABOVE GROUND CONDUIT AND MOUNTING HARDWARE TO THE SERVICE AND LOAD CENTER COMPONENTS SHALL BE INCLUDED UNDER THIS PAY ITEM. THE ABOVE GROUND CONDUIT SHALL BE RIGID GALVANIZED STEEL. THE CONCRETE SERVICE POLES FOR THE ASSEMBLY ARE PAID SEPARATELY. SEE LEE COUNTY SPECIFICATIONS AND THE STREET LIGHTING SERVICE POINT DETAIL SHEET IN THE PLANS FOR ADDITIONAL INFORMATION. THE LOAD CENTER SHALL BE AQ SQUARE D NIGHT MASTER - 8903-SQH63-V03.

715-11-400:
THE LUMINAIRE FROM THE REMOVED LIGHT POLE SHALL BE INSTALLED ON THE PROPOSED LIGHT POLE DESIGNATED IN THE PLANS.

715-500-1:
ALL STREET LIGHT POLES SHALL HAVE THREE (3) #10 AWG (THHN/THWN-2) 1-BLACK, 1-WHITE, AND 1-GREEN WIRE FROM LUMINAIRE TO T-BASE, AND SHALL INCLUDE:
ONE (1) BREAKAWAY FUSE HOLDER WITH LINESIDE TERMINAL HAVING A CU DUAL SETSCREW AND THE LOADSIDE TERMINAL HAVING CU CRIMP CONNECTOR. (BUSSMAN - HEB-AW-RYC) AND HAVE ONE (1) BREAKAWAY NEUTRAL FUSE HOLDER WITH PERMANENTLY INSTALLED SOLID NEUTRAL, WITH LINESIDE TERMINAL HAVING A CU DUAL SETSCREW AND THE LOADSIDE TERMINAL HAVING CU CRIMP CONNECTOR (BUSSMAN-HET-AW-RYC) FOR EACH LUMINAIRE AND SHALL BE LOCATED IN THE HAND HOLE COMPARTMENT OF THE T-BASE. A 120VAC SURGE ARRESTOR (ASCO MODEL 235 - 235120LF030AWLN0) OR (HESCO/RLS HE120BW) AND SHALL BE INSTALLED USING BUTT CRIMP CONNECTORS. STREET LIGHT POLE ASSEMBLY SHALL BE GROUNDED USING A #6 GREEN AWG WIRE FROM GROUND TO THE T-BASE GROUND TERMINAL LUG.

STREET LIGHT POLES SHALL HAVE A MINIMUM OF TWO (2), TEN (10) FOOT LENGTH 5/8" COPPER CLAD GROUND ROD INSTALLED, AND SHALL HAVE A GROUND RESISTANCE READING OF 15 OHMS OR LESS.

715-511-125:
THIS PAY ITEM SHALL INCLUDE A 15-FOOT ALUMINUM BRACKET ARM ON A UTILITY CONFLICT STYLE ALUMINUM POLE WITH TRANSFORMER BASE AND A FDOT STANDARD FOUNDATION, WIRING AND A LED LUMINAIRE SPECIFIED ON THE LIGHTING DATA TABLE AND LEGEND SHEET.

THIS PAY ITEM SHALL ALSO INCLUDE THE LUMINAIRE HOUSESIDE SHIELD AND THE FIELD ADJUSTABLE OUTPUT MODULES (FAO). EACH LUMINAIRE SHALL HAVE THE FAO SWITCH DIALED TO THE APPROPRIATE AO POSITION AS SPECIFIED ON LIGHTING DATA TABLE AND LEGEND SHEET, THE LUMINAIRE MOUNTING HEIGHT IS 25 FEET ABOVE GRADE. FOR ADDITIONAL INFORMATION ON THE UTILITY CONFLICT POLE, SEE THE UTILITY CONFLICT POLE DETAILS. THE LUMINAIRE SHALL BE POWERED FROM THE POWER SERVICE ASSEMBLY. ALL LIGHTING WILL BE ON A DESIGNATED LIGHTING CIRCUIT BREAKER AND CONTROLLED BY THE LOAD CENTER PHOTOCCELL.

REVISIONS				DAVID J. ALLEN, P.E. P.E. LICENSE NUMBER 58540 STANTEC, INC. 3905 CRESCENT PARK DRIVE RIVERVIEW, FLORIDA 33578	LEE COUNTY DEPARTMENT OF TRANSPORTATION			GENERAL NOTES (2)	SHEET NO.
DATE	DESCRIPTION	DATE	DESCRIPTION		ROAD NAME	COUNTY	CONTRACT NO.		
						LITTLETON ROAD	LEE		CN190114

LIGHTING DATA TABLE

POLE NO.	CIRCUIT	STATION	DIST. OR ARM	LUMINAIRE WATTAGE	** AO POSITION NO.	DISTRIBUTION TYPE	MOUNTING HEIGHT	POLE TYPE	FOUNDATION TYPE	POLE OFFSET TO CENTER OF POLE	PAY ITEM
10	EXIST A-2	27+02 CL LITTLETON ROAD	15'	RELOCATED LUMINAIRE			30'	UTILITY CONFLICT	STANDARD	34.7' RT	715-4-31
A1	A-1	39+06 CL LITTLETON ROAD	15'	79	2	WR	30'	UTILITY CONFLICT	STANDARD	32.6' LT	715-4-31
A2	A-1	40+24 CL LITTLETON ROAD	8'	79	2	FT	30'	STANDARD	STANDARD	70.1' RT	715-4-11
A3	A-1	40+45 CL LITTLETON ROAD	15'	79	2	WR	30'	UTILITY CONFLICT	STANDARD	35.7' RT	715-4-31
A4	A-1	41+01 CL LITTLETON ROAD	15'	79	2	WR	30'	UTILITY CONFLICT	STANDARD	36.1' LT	715-4-31
B1	B-1	55+31 CL LITTLETON ROAD	15'	79	2	WR	30'	UTILITY CONFLICT	STANDARD	33.8' RT	715-4-31
B2	B-1	55+92 CL LITTLETON ROAD	15'	79	2	FT	25'	UTILITY CONFLICT	STANDARD	47.8' LT	715-511-125
C1	C-1	64+71 CL LITTLETON ROAD	15'	79	2	WR	30'	UTILITY CONFLICT	STANDARD	34.7' RT	715-4-31
C2	C-1	65+44 CL LITTLETON ROAD	15'	79	2	WR	30'	UTILITY CONFLICT	STANDARD	34.3' LT	715-4-31
D1	D-1	76+69 CL LITTLETON ROAD	15'	79	2	WR	30'	UTILITY CONFLICT	SPECIAL - IN GRAVITY WALL	* 28.6' RT	715-4-41
D2	D-1	77+41 CL LITTLETON ROAD	15'	112	3	FT	30'	UTILITY CONFLICT	SPECIAL - IN GRAVITY WALL	* 28.6' RT	715-4-41

* VERIFY THE PROPOSED FINAL GRAVITY WALL LOCATION IN THE FIELD PRIOR TO INSTALLING THE FOUNDATION. FIELD ADJUSTMENT TO THE OFFSET MAY BE NECESSARY TO MEET THE DIMENSIONS SPECIFIED IN THE GRAVITY WALL LIGHT POLE SPECIAL FOUNDATION DETAILS.
 ** AO POSITION NUMBER IS THE DIMMER SELECTION ON THE LUMINAIRE FIELD ADJUSTABLE OUTPUT MODULE.

LITTLETON ROAD AT HUTTO ROAD UNSIGNALIZED INTERSECTION LIGHTING DESIGN CRITERIA
 AVERAGE HORIZONTAL INTENSITY 3.0 FOOT CANDLES
 UNIFORMITY RATIO AVG./MIN. 1.5 FOOT CANDLES MINIMUM
 MAX./MIN. 4:1 OR LESS
 VEILING LUMINANCE RATIO 10:1 OR LESS
 WIND SPEED 0.4:1 OR LESS
 160 MPH

MIDBLOCK PEDESTRIAN CROSSWALK LIGHTING DESIGN CRITERIA
 AVERAGE VERTICAL INTENSITY 2.3 FOOT CANDLES
 WIND SPEED 1.5 FOOT CANDLES MINIMUM
 160 MPH

LEGEND

SYMBOLS

DESCRIPTION



HOLOPHANE MONGOOSE MEDIUM LED LUMINAIRE WITH P7 PERFORMANCE PACKAGE, 4000K COLOR TEMPERATURE, WIDE ROADWAY DISTRIBUTION, FIELD ADJUSTABLE OUTPUT MODULE AND HOUSESIDE SHIELDS. LUMINAIRE SHALL BE WIRED FOR 240 VOLT OPERATION AND THE HOUSING SHALL BE GRAY. POLE MOUNTING HEIGHT IS SPECIFIED ON THE LIGHTING DATA TABLE. LIGHT POLE STYLE, FOUNDATION TYPE AND BRACKET ARM LENGTH ARE SPECIFIED ON ADJACENT TABLE. NO TILT. LIGHTING BASIS OF DESIGN USED HOLOPHANE MONGOOSE MEDIUM MGLEDM PHOTOMETRIC CURVE NUMBER MGLEDM_P7_40K_XXXXX_WR_HSS. DUE TO DIMMING, THE LUMINAIRE WATTAGE VARIES AND IS REPRESENTED ON THE ADJACENT TABLE AS WELL AS THE ADJUSTABLE OUTPUT POSITION.



HOLOPHANE MONGOOSE MEDIUM LED LUMINAIRE WITH P7 PERFORMANCE PACKAGE, 4000K COLOR TEMPERATURE, FORWARD THROW DISTRIBUTION, FIELD ADJUSTABLE OUTPUT MODULE AND HOUSESIDE SHIELDS. LUMINAIRE SHALL BE WIRED FOR 240 VOLT OPERATION AND THE HOUSING SHALL BE GRAY. POLE MOUNTING HEIGHT IS SPECIFIED ON THE LIGHTING DATA TABLE. LIGHT POLE STYLE, FOUNDATION TYPE AND BRACKET ARM LENGTH ARE SPECIFIED ON ADJACENT TABLE. NO TILT. LIGHTING BASIS OF DESIGN USED HOLOPHANE MONGOOSE MEDIUM MGLEDM PHOTOMETRIC CURVE NUMBER MGLEDM_P7_40K_XXXXX_FT_HSS. DUE TO DIMMING, THE LUMINAIRE WATTAGE VARIES AND IS REPRESENTED ON THE ADJACENT TABLE AS WELL AS THE ADJUSTABLE OUTPUT POSITION.



PROPOSED UTILITY CONFLICT LIGHT POLE WITH MOUNTING HEIGHT OF 30 FEET WITH 15-FOOT ARM. SEE TABLE FOR FOUNDATION TYPE. FOR ADDITIONAL INFORMATION FOR THE UTILITY CONFLICT POLES, SEE THE UTILITY CONFLICT LIGHT POLE DETAILS SHEET. EXISTING LUMINAIRE FROM THE REMOVED POLE SHALL BE INSTALLED ON THIS POLE.



EXISTING LIGHT POLE TO REMAIN



REMOVED LIGHT POLE.



SCHEDULE 40 PVC CONDUIT WITH THWN-2 CONDUCTORS INSIDE (CONDUIT AND CONDUCTOR SIZE AS SHOWN ON PLAN SHEETS). RUN ONE (1) #6 AWG COPPER BOND CONDUCTOR (XLP GREEN INSULATION) INSIDE CONDUIT WITH OTHER CONDUCTORS. ALL FUTURE USE CONDUIT IS TO BE ONLY POPULATED WITH PULL AND LOCATE WIRES.



HDPE CONDUIT, DIRECTIONAL BORE WITH THWN-2 CONDUCTORS INSIDE (CONDUIT AND CONDUCTOR SIZE AS SHOWN ON PLAN SHEETS). EXTEND CONDUIT BEYOND EDGE OF PAVEMENT TO PULL BOXES. RUN ONE (1) #6 AWG COPPER BOND CONDUCTOR (XLP GREEN INSULATION) INSIDE CONDUIT WITH OTHER CONDUCTORS. ALL FUTURE USE AND SPARE CONDUIT IS TO BE ONLY POPULATED WITH PULL AND LOCATE WIRES.

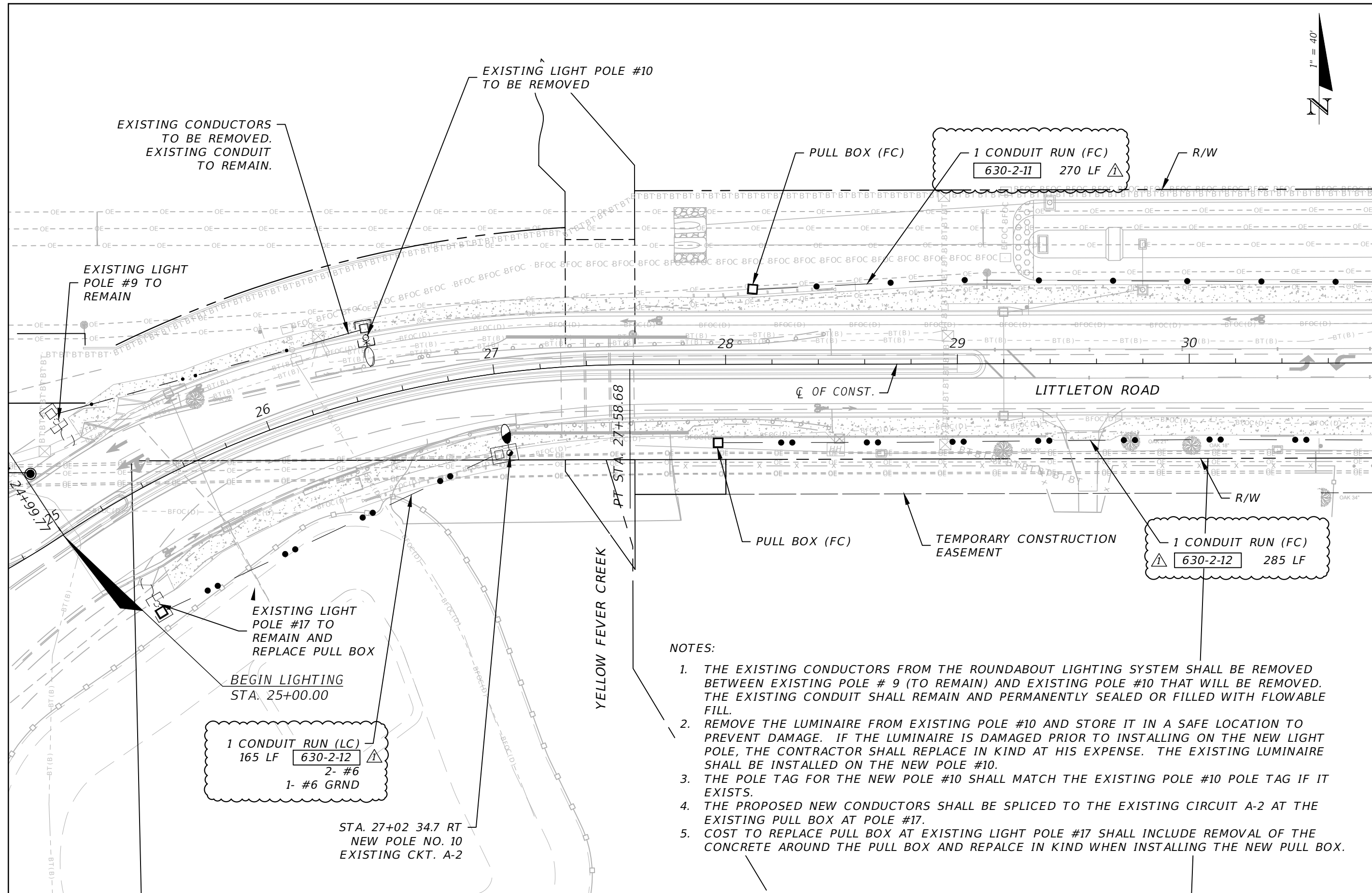


PROPOSED PULL BOX.



POWER SERVICE ASSEMBLY.

REVISIONS				DAVID J. ALLEN, P.E. P.E. LICENSE NUMBER 58540 STANTEC, INC. 3905 CRESCENT PARK DRIVE RIVERVIEW, FLORIDA 33578	LEE COUNTY DEPARTMENT OF TRANSPORTATION			LIGHTING DATA TABLE AND LEGEND	SHEET NO. L-6
DATE	DESCRIPTION	DATE	ROAD NAME		COUNTY	CONTRACT NO.			
			LITTLETON ROAD		LEE	CN190114			



NOTES:

1. THE EXISTING CONDUCTORS FROM THE ROUNDABOUT LIGHTING SYSTEM SHALL BE REMOVED BETWEEN EXISTING POLE # 9 (TO REMAIN) AND EXISTING POLE #10 THAT WILL BE REMOVED. THE EXISTING CONDUIT SHALL REMAIN AND PERMANENTLY SEALED OR FILLED WITH FLOWABLE FILL.
2. REMOVE THE LUMINAIRE FROM EXISTING POLE #10 AND STORE IT IN A SAFE LOCATION TO PREVENT DAMAGE. IF THE LUMINAIRE IS DAMAGED PRIOR TO INSTALLING ON THE NEW LIGHT POLE, THE CONTRACTOR SHALL REPLACE IN KIND AT HIS EXPENSE. THE EXISTING LUMINAIRE SHALL BE INSTALLED ON THE NEW POLE #10.
3. THE POLE TAG FOR THE NEW POLE #10 SHALL MATCH THE EXISTING POLE #10 POLE TAG IF IT EXISTS.
4. THE PROPOSED NEW CONDUCTORS SHALL BE SPLICED TO THE EXISTING CIRCUIT A-2 AT THE EXISTING PULL BOX AT POLE #17.
5. COST TO REPLACE PULL BOX AT EXISTING LIGHT POLE #17 SHALL INCLUDE REMOVAL OF THE CONCRETE AROUND THE PULL BOX AND REPALCE IN KIND WHEN INSTALLING THE NEW PULL BOX.

MATCHLINE STA - 30+80.00

REVISIONS			
DATE	DESCRIPTION	DATE	DESCRIPTION
4/28/23	▲ Add conduit pay item numbers and quantities.		

DAVID J. ALLEN, P.E.
 P.E. LICENSE NUMBER 58540
 STANTEC, INC.
 3905 CRESCENT PARK DRIVE
 RIVERVIEW, FLORIDA 33578

LEE COUNTY DEPARTMENT OF TRANSPORTATION		
ROAD NAME	COUNTY	CONTRACT NO.
LITTLETON ROAD	LEE	CN190114

LIGHTING PLAN (1)

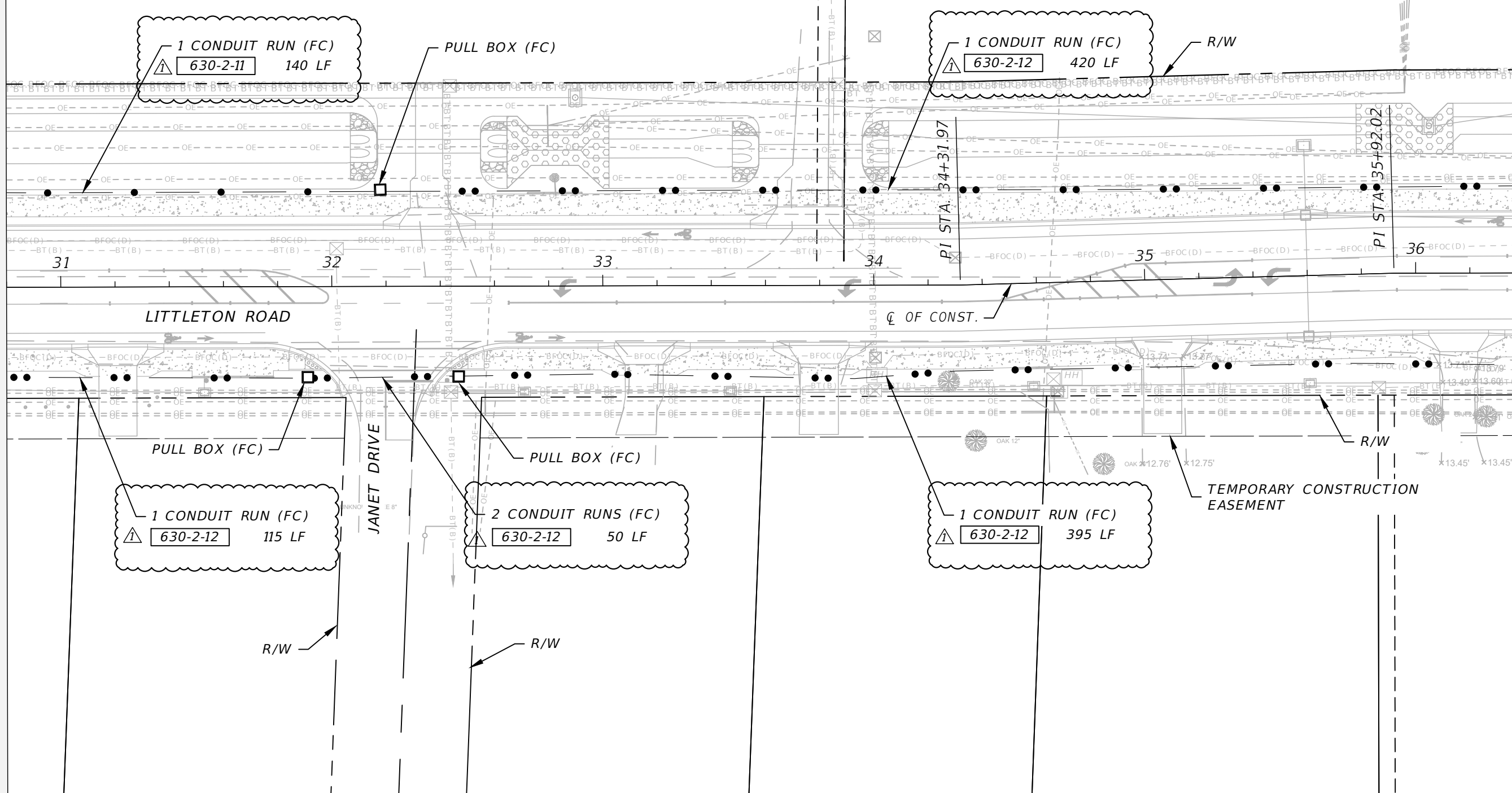
SHEET NO.
L-7

THE OFFICIAL RECORD OF THIS SHEET IS THE ELECTRONIC FILE DIGITALLY SIGNED AND SEALED UNDER RULE 61G15-23.004, F.A.C.



MATCHLINE STA - 30+80.00

MATCHLINE STA - 36+40.00



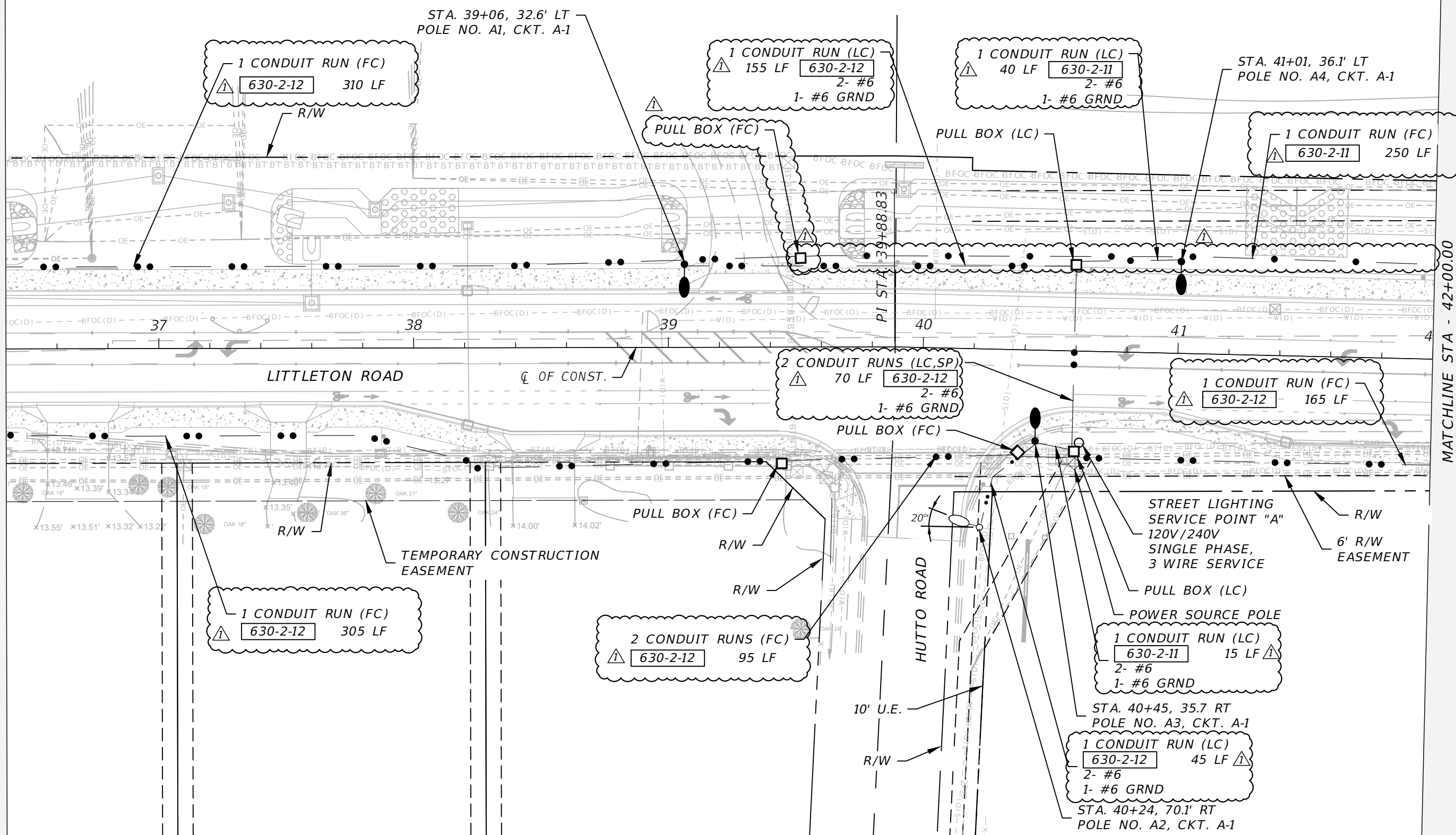
REVISIONS		DATE	DESCRIPTION	DAVID J. ALLEN, P.E. P.E. LICENSE NUMBER 58540 STANTEC, INC. 3905 CRESCENT PARK DRIVE RIVERVIEW, FLORIDA 33578	LEE COUNTY DEPARTMENT OF TRANSPORTATION			SHEET NO.
DATE	DESCRIPTION				ROAD NAME	COUNTY	CONTRACT NO.	
4/28/23	▲ Add conduit pay item numbers and quantities.				LITTLETON ROAD	LEE	CN190114	LIGHTING PLAN (2)

THE OFFICIAL RECORD OF THIS SHEET IS THE ELECTRONIC FILE DIGITALLY SIGNED AND SEALED UNDER RULE 61G15-23.004, F.A.C.



MATCHLINE STA - 36+40.00

MATCHLINE STA - 42+00.00



REVISIONS	
DATE	DESCRIPTION
4/28/23	Adjust pull box, change conduit to open trench and add conduit pay item numbers and quantities.

DAVID J. ALLEN, P.E.
 P.E. LICENSE NUMBER 58540
 STANTEC, INC.
 3905 CRESCENT PARK DRIVE
 RIVERVIEW, FLORIDA 33578

LEE COUNTY		
DEPARTMENT OF TRANSPORTATION		
ROAD NAME	COUNTY	CONTRACT NO.
LITTLETON ROAD	LEE	CN190114

LIGHTING PLAN (3)

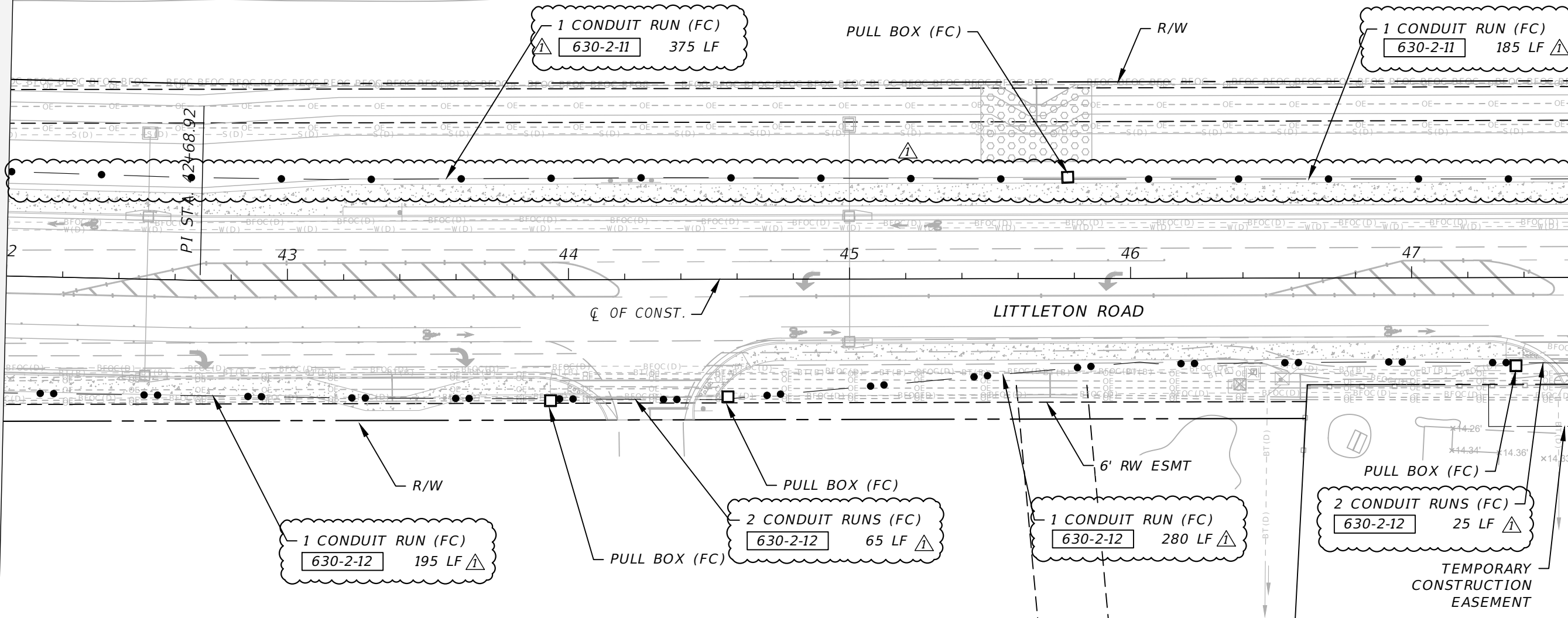
SHEET NO.
L-9

THE OFFICIAL RECORD OF THIS SHEET IS THE ELECTRONIC FILE DIGITALLY SIGNED AND SEALED UNDER RULE 61G15-23.004, F.A.C.



MATCHLINE STA - 42+00.00

MATCHLINE STA - 47+60.00



REVISIONS			
DATE	DESCRIPTION	DATE	DESCRIPTION
4/28/23	Change conduit to open trench and add conduit pay item numbers and quantities.		

DAVID J. ALLEN, P.E.
 P.E. LICENSE NUMBER 58540
 STANTEC, INC.
 3905 CRESCENT PARK DRIVE
 RIVERVIEW, FLORIDA 33578

LEE COUNTY DEPARTMENT OF TRANSPORTATION		
ROAD NAME	COUNTY	CONTRACT NO.
LITTLETON ROAD	LEE	CN190114

LIGHTING PLAN (4)

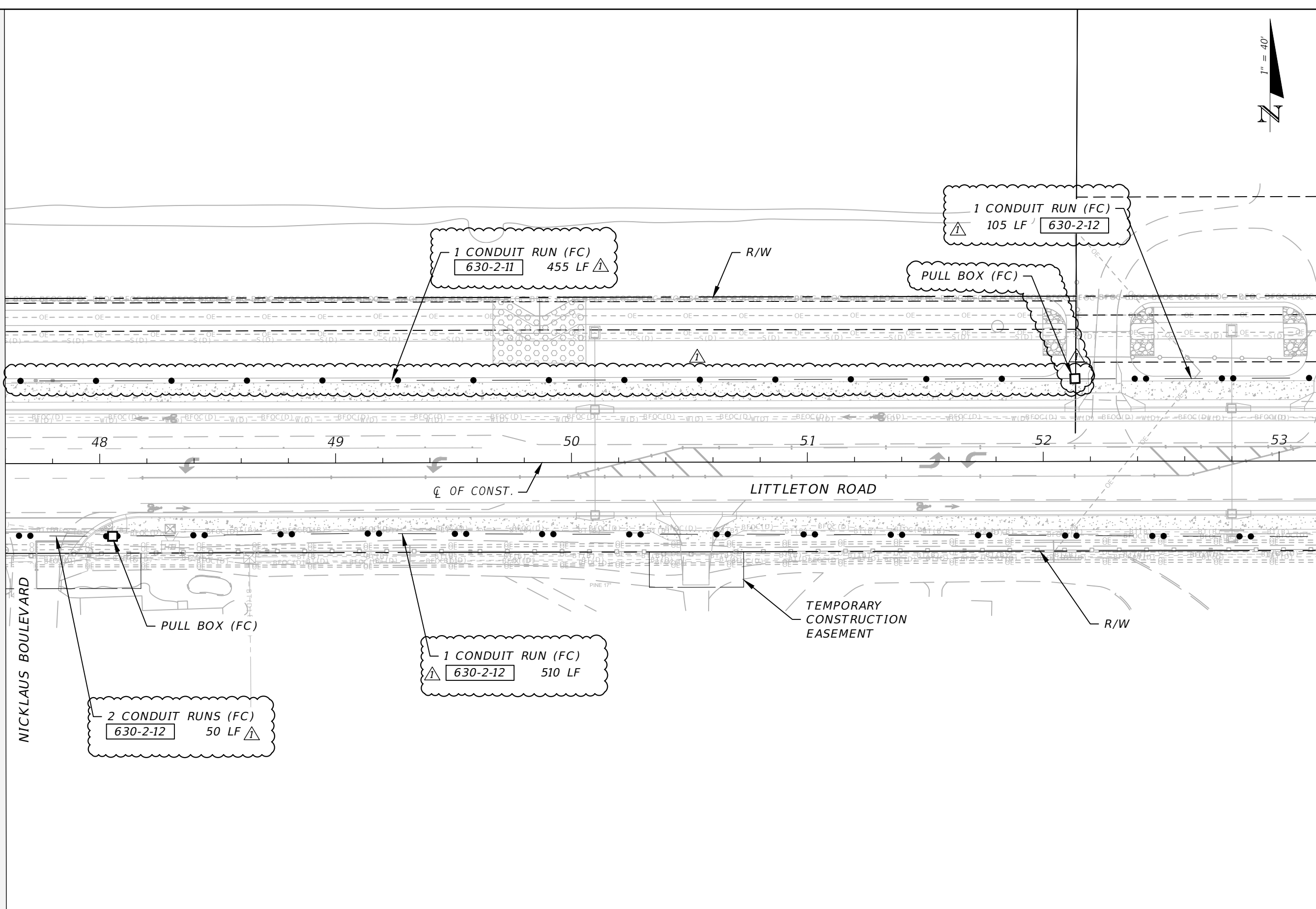
SHEET NO.
L-10

THE OFFICIAL RECORD OF THIS SHEET IS THE ELECTRONIC FILE DIGITALLY SIGNED AND SEALED UNDER RULE 61G15-23.004, F.A.C.



MATCHLINE STA - 47+60.00

MATCHLINE STA - 53+20.00

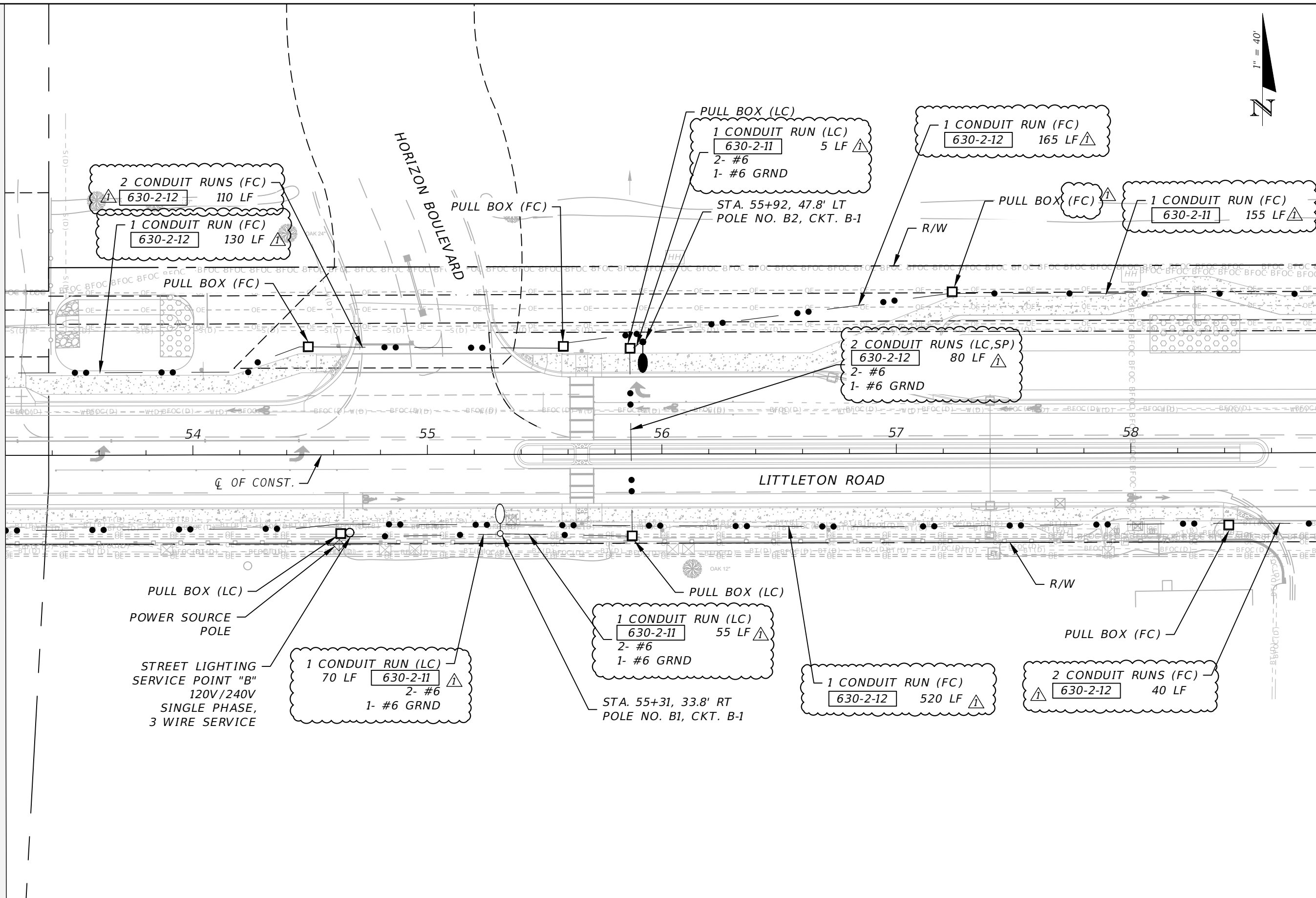


REVISIONS				DAVID J. ALLEN, P.E. P.E. LICENSE NUMBER 58540 STANTEC, INC. 3905 CRESCENT PARK DRIVE RIVERVIEW, FLORIDA 33578	LEE COUNTY DEPARTMENT OF TRANSPORTATION			LIGHTING PLAN (5)	SHEET NO. L-11
DATE	DESCRIPTION	DATE	DESCRIPTION		ROAD NAME	COUNTY	CONTRACT NO.		
4/28/23	Adjust pull box, change conduit to open trench and add conduit pay item numbers and quantities.				LITTLETON ROAD	LEE	CN190114		



MATCHLINE STA - 53+20.00

MATCHLINE STA - 58+80.00



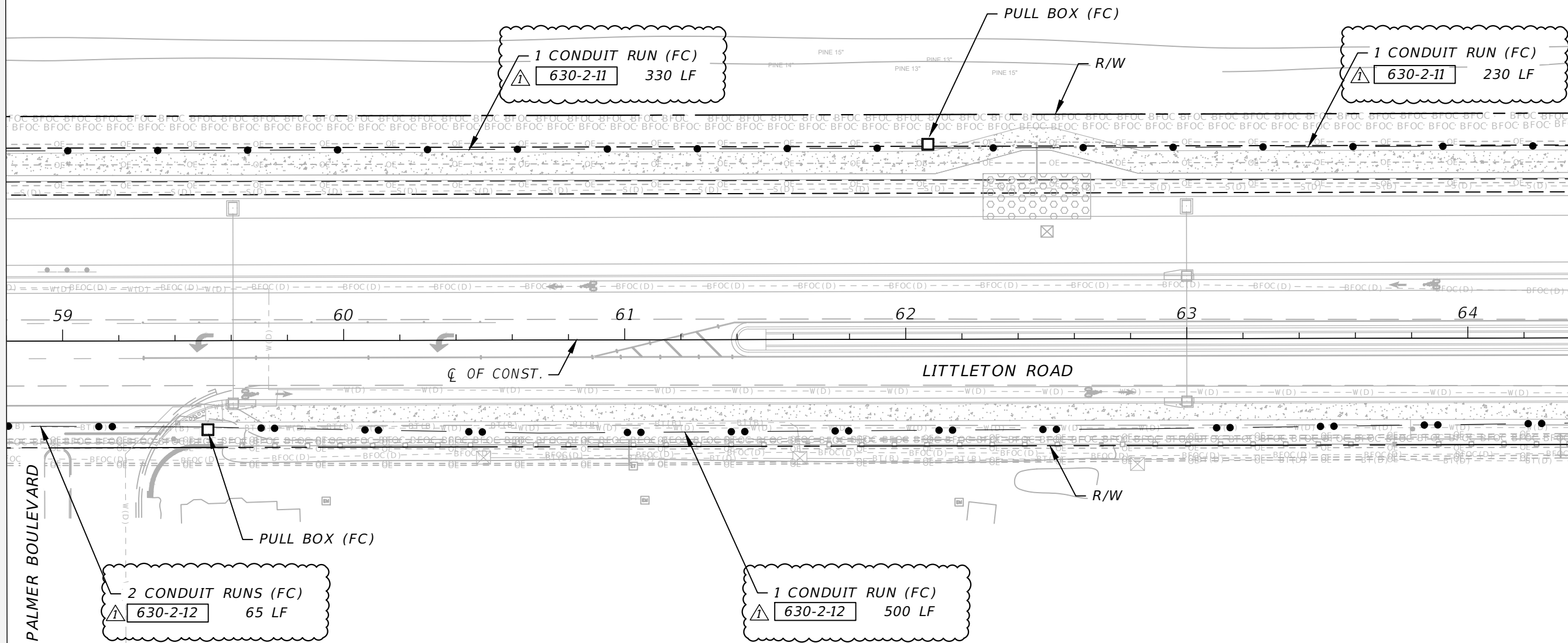
REVISIONS				DAVID J. ALLEN, P.E. P.E. LICENSE NUMBER 58540 STANTEC, INC. 3905 CRESCENT PARK DRIVE RIVERVIEW, FLORIDA 33578	LEE COUNTY DEPARTMENT OF TRANSPORTATION			SHEET NO. L-12
DATE	DESCRIPTION	DATE	DESCRIPTION		ROAD NAME	COUNTY	CONTRACT NO.	
4/28/23	Change Pull Box label (LC) to (FC) and add conduit pay item numbers and quantities.				LITTLETON ROAD	LEE	CN190114	

THE OFFICIAL RECORD OF THIS SHEET IS THE ELECTRONIC FILE DIGITALLY SIGNED AND SEALED UNDER RULE 61G15-23.004, F.A.C.



MATCHLINE STA - 58+80.00

MATCHLINE STA - 64+40.00



REVISIONS			
DATE	DESCRIPTION	DATE	DESCRIPTION
4/28/23	△ Add conduit pay item numbers and quantities.		

DAVID J. ALLEN, P.E.
 P.E. LICENSE NUMBER 58540
 STANTEC, INC.
 3905 CRESCENT PARK DRIVE
 RIVERVIEW, FLORIDA 33578

LEE COUNTY DEPARTMENT OF TRANSPORTATION		
ROAD NAME	COUNTY	CONTRACT NO.
LITTLETON ROAD	LEE	CN190114

LIGHTING PLAN (7)

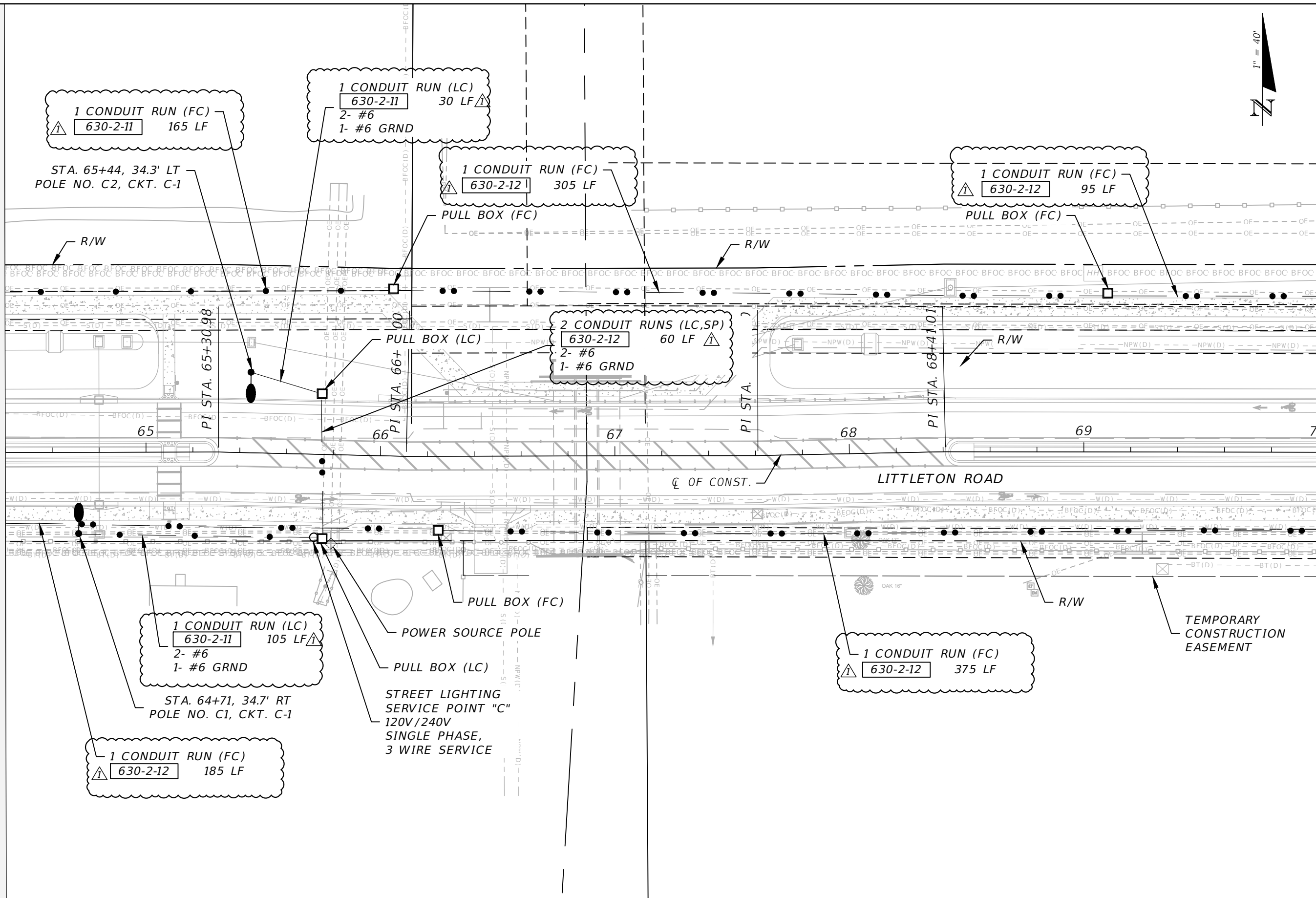
SHEET NO.
L-13

THE OFFICIAL RECORD OF THIS SHEET IS THE ELECTRONIC FILE DIGITALLY SIGNED AND SEALED UNDER RULE 61G15-23.004, F.A.C.



MATCHLINE STA - 64+40.00

MATCHLINE STA - 70+00.00



REVISIONS			
DATE	DESCRIPTION	DATE	DESCRIPTION
4/28/23	▲ Add conduit pay item numbers and quantities.		

DAVID J. ALLEN, P.E.
 P.E. LICENSE NUMBER 58540
 STANTEC, INC.
 3905 CRESCENT PARK DRIVE
 RIVERVIEW, FLORIDA 33578

LEE COUNTY DEPARTMENT OF TRANSPORTATION		
ROAD NAME	COUNTY	CONTRACT NO.
LITTLETON ROAD	LEE	CN190114

LIGHTING PLAN (8)

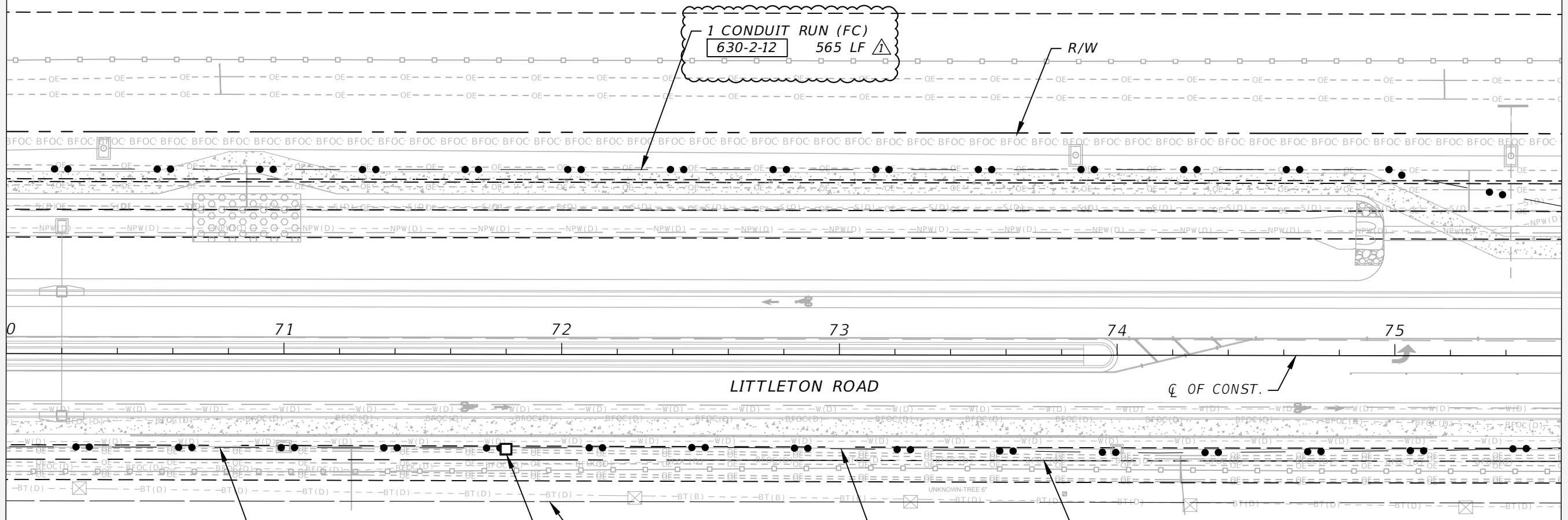
SHEET NO.
L-14

THE OFFICIAL RECORD OF THIS SHEET IS THE ELECTRONIC FILE DIGITALLY SIGNED AND SEALED UNDER RULE 61G15-23.004, F.A.C.



MATCHLINE STA - 70+00.00

MATCHLINE STA - 75+60.00



REVISIONS			
DATE	DESCRIPTION	DATE	DESCRIPTION
4/28/23	1 Add conduit pay item numbers and quantities.		

DAVID J. ALLEN, P.E.
 P.E. LICENSE NUMBER 58540
 STANTEC, INC.
 3905 CRESCENT PARK DRIVE
 RIVERVIEW, FLORIDA 33578

LEE COUNTY DEPARTMENT OF TRANSPORTATION		
ROAD NAME	COUNTY	CONTRACT NO.
LITTLETON ROAD	LEE	CN190114

LIGHTING PLAN (9)

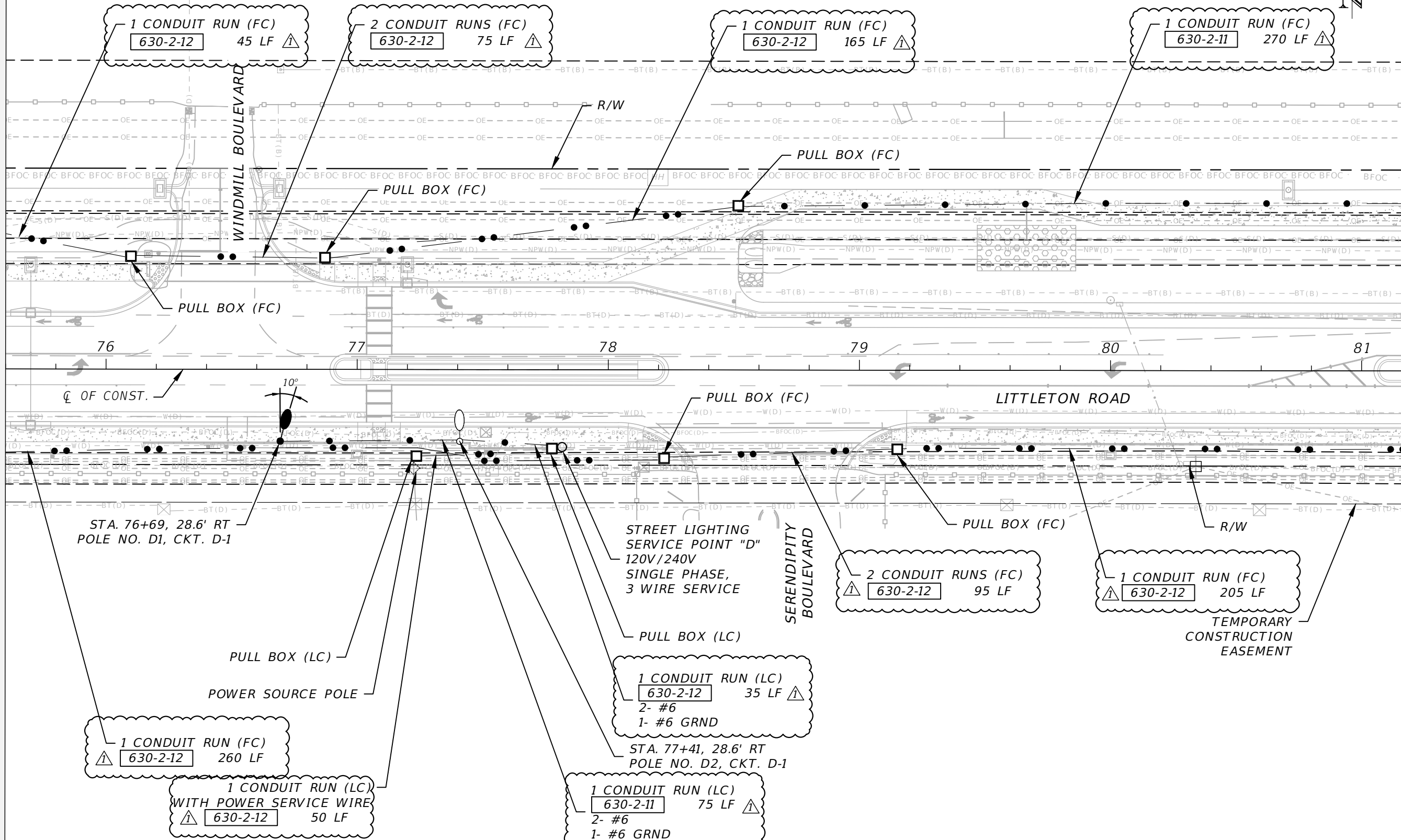
SHEET NO.
L-15

THE OFFICIAL RECORD OF THIS SHEET IS THE ELECTRONIC FILE DIGITALLY SIGNED AND SEALED UNDER RULE 61G15-23.004, F.A.C.



MATCHLINE STA - 75+60.00

MATCHLINE STA - 81+20.00



REVISIONS	
DATE	DESCRIPTION
4/28/23	△ Add conduit pay item numbers and quantities.

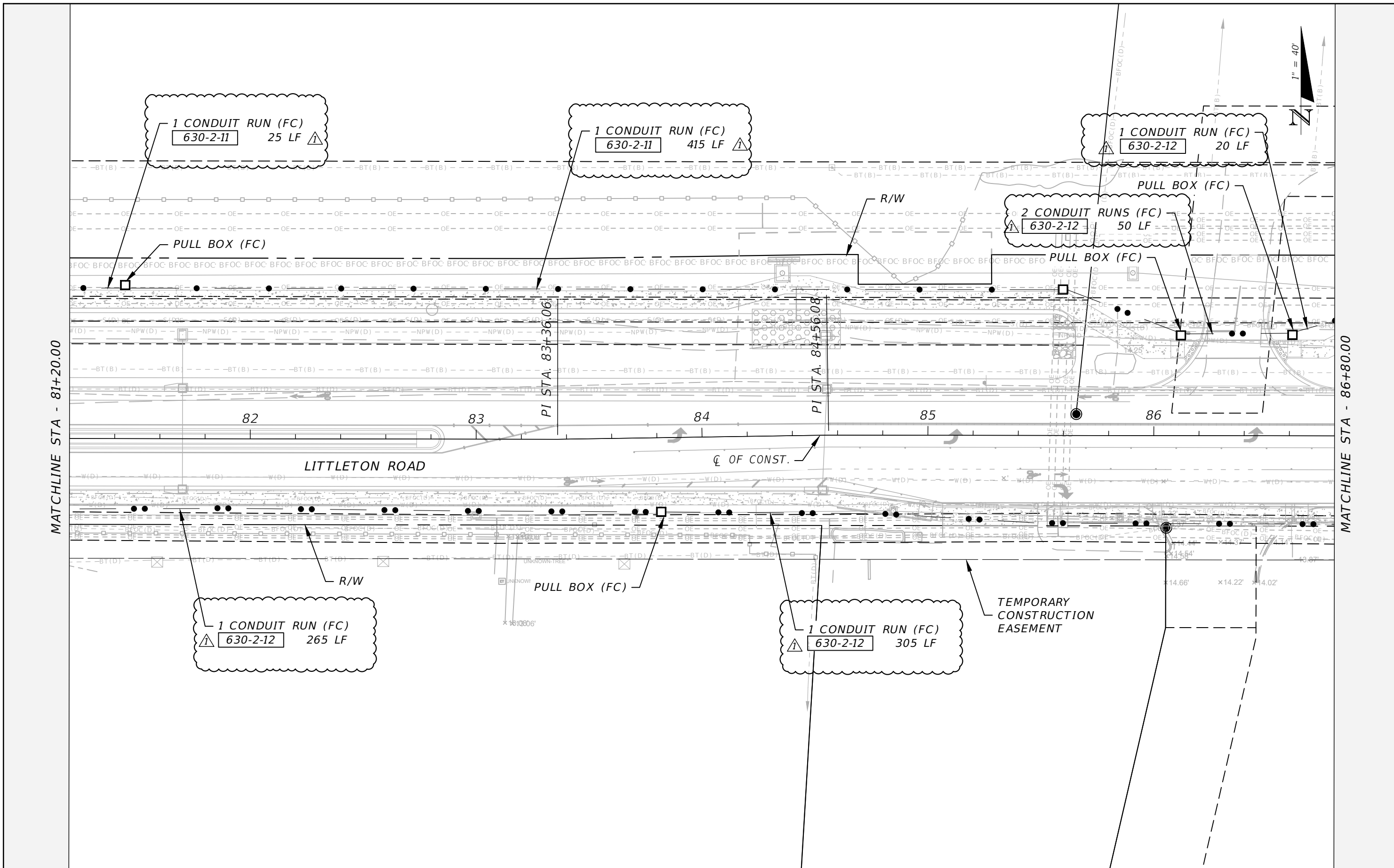
DAVID J. ALLEN, P.E.
 P.E. LICENSE NUMBER 58540
 STANTEC, INC.
 3905 CRESCENT PARK DRIVE
 RIVERVIEW, FLORIDA 33578

LEE COUNTY DEPARTMENT OF TRANSPORTATION		
ROAD NAME	COUNTY	CONTRACT NO.
LITTLETON ROAD	LEE	CN190114

LIGHTING PLAN (10)

SHEET NO.
L-16

THE OFFICIAL RECORD OF THIS SHEET IS THE ELECTRONIC FILE DIGITALLY SIGNED AND SEALED UNDER RULE 61G15-23.004, F.A.C.



MATCHLINE STA - 81+20.00

MATCHLINE STA - 86+80.00

REVISIONS			
DATE	DESCRIPTION	DATE	DESCRIPTION
4/28/23	▲ Add conduit pay item numbers and quantities.		

DAVID J. ALLEN, P.E.
 P.E. LICENSE NUMBER 58540
 STANTEC, INC.
 3905 CRESCENT PARK DRIVE
 RIVERVIEW, FLORIDA 33578

LEE COUNTY DEPARTMENT OF TRANSPORTATION		
ROAD NAME	COUNTY	CONTRACT NO.
LITTLETON ROAD	LEE	CN190114

LIGHTING PLAN (11)

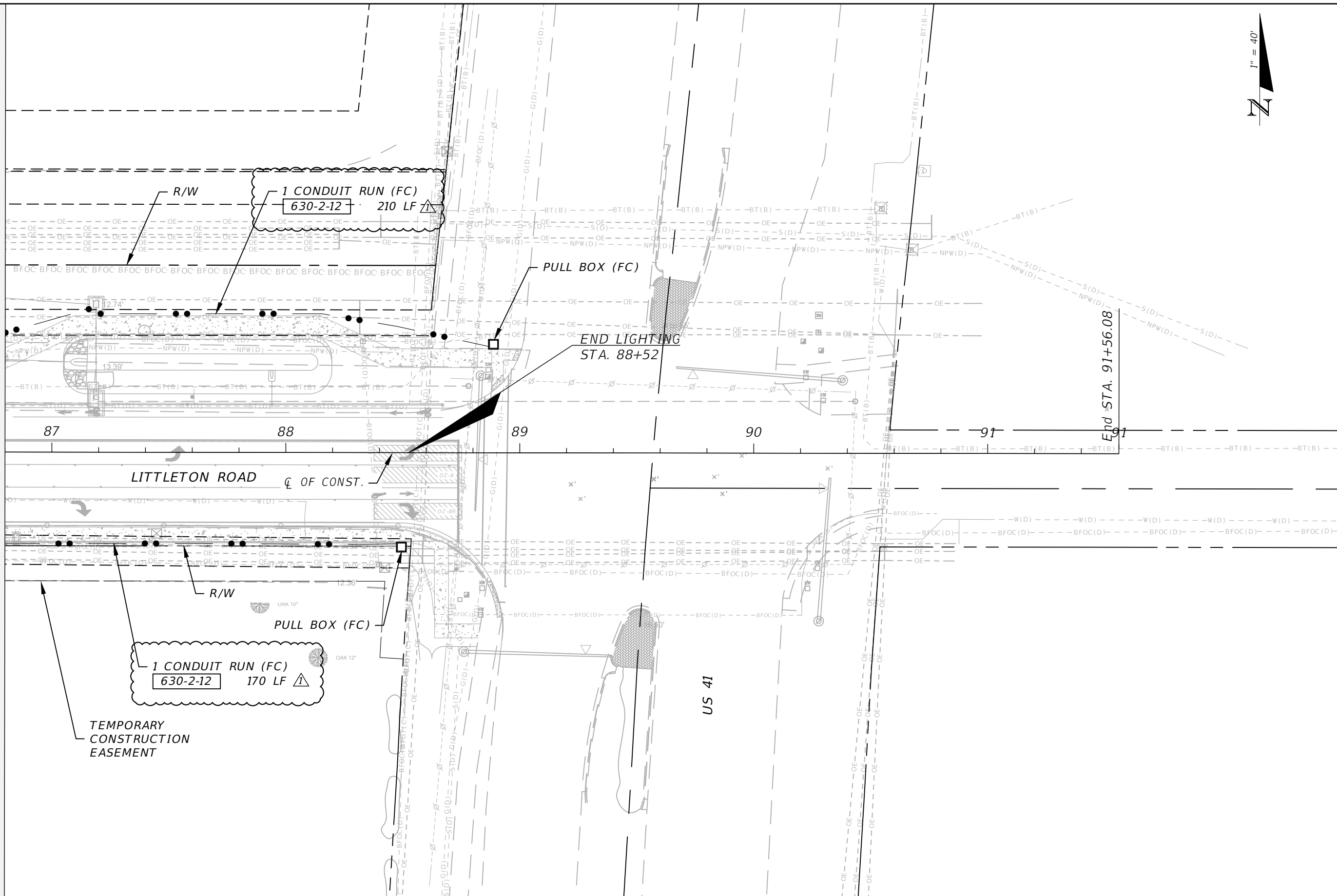
SHEET NO.
L-17

THE OFFICIAL RECORD OF THIS SHEET IS THE ELECTRONIC FILE DIGITALLY SIGNED AND SEALED UNDER RULE 61G15-23.004, F.A.C.



MATCHLINE STA - 86+80.00

End STA. 91+56.08



REVISIONS			
DATE	DESCRIPTION	DATE	DESCRIPTION
4/28/23	▲ Add conduit pay item numbers and quantities.		

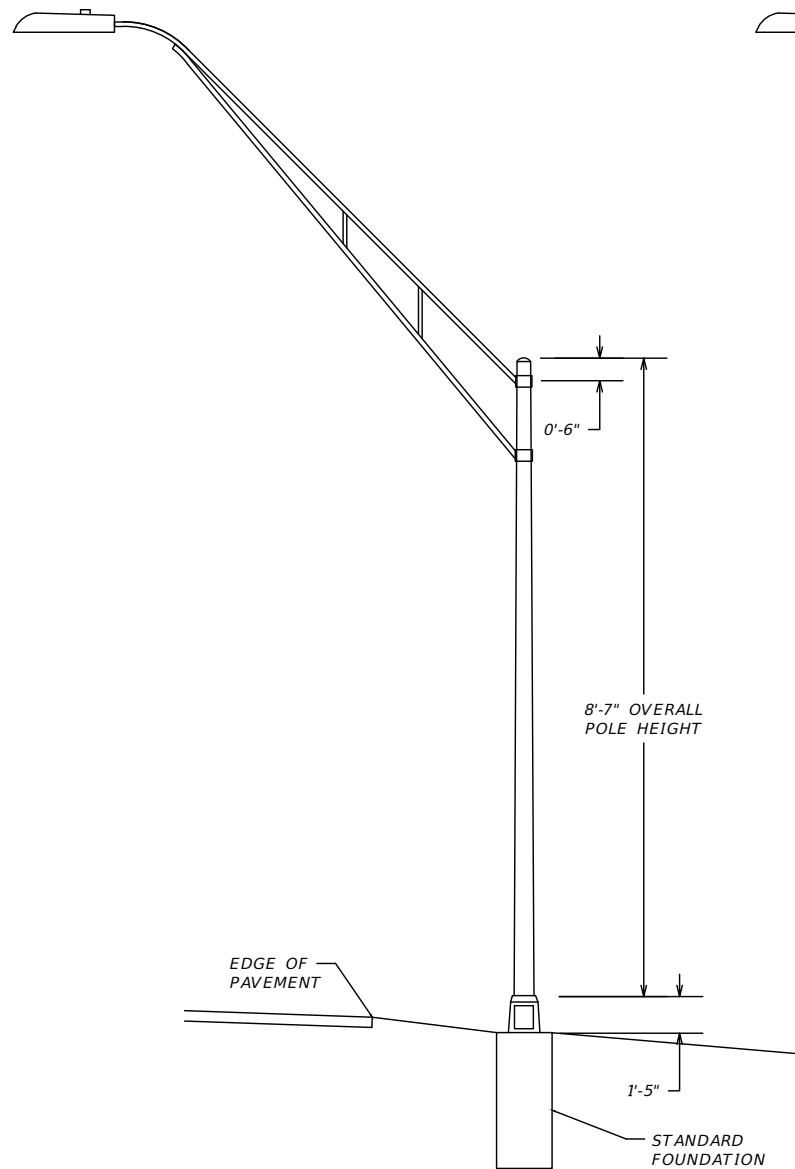
DAVID J. ALLEN, P.E.
 P.E. LICENSE NUMBER 58540
 STANTEC, INC.
 3905 CRESCENT PARK DRIVE
 RIVERVIEW, FLORIDA 33578

LEE COUNTY DEPARTMENT OF TRANSPORTATION		
ROAD NAME	COUNTY	CONTRACT NO.
LITTLETON ROAD	LEE	CN190114

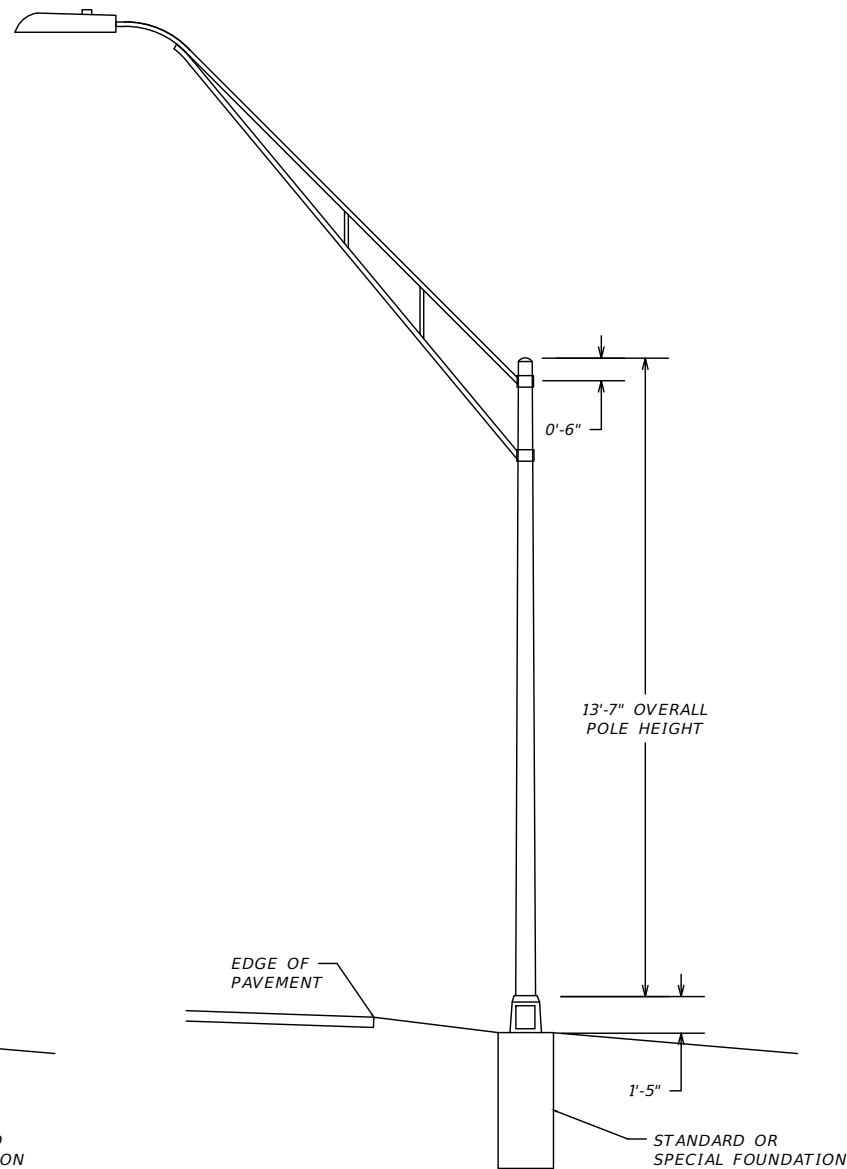
LIGHTING PLAN (12)

SHEET NO.
L-18

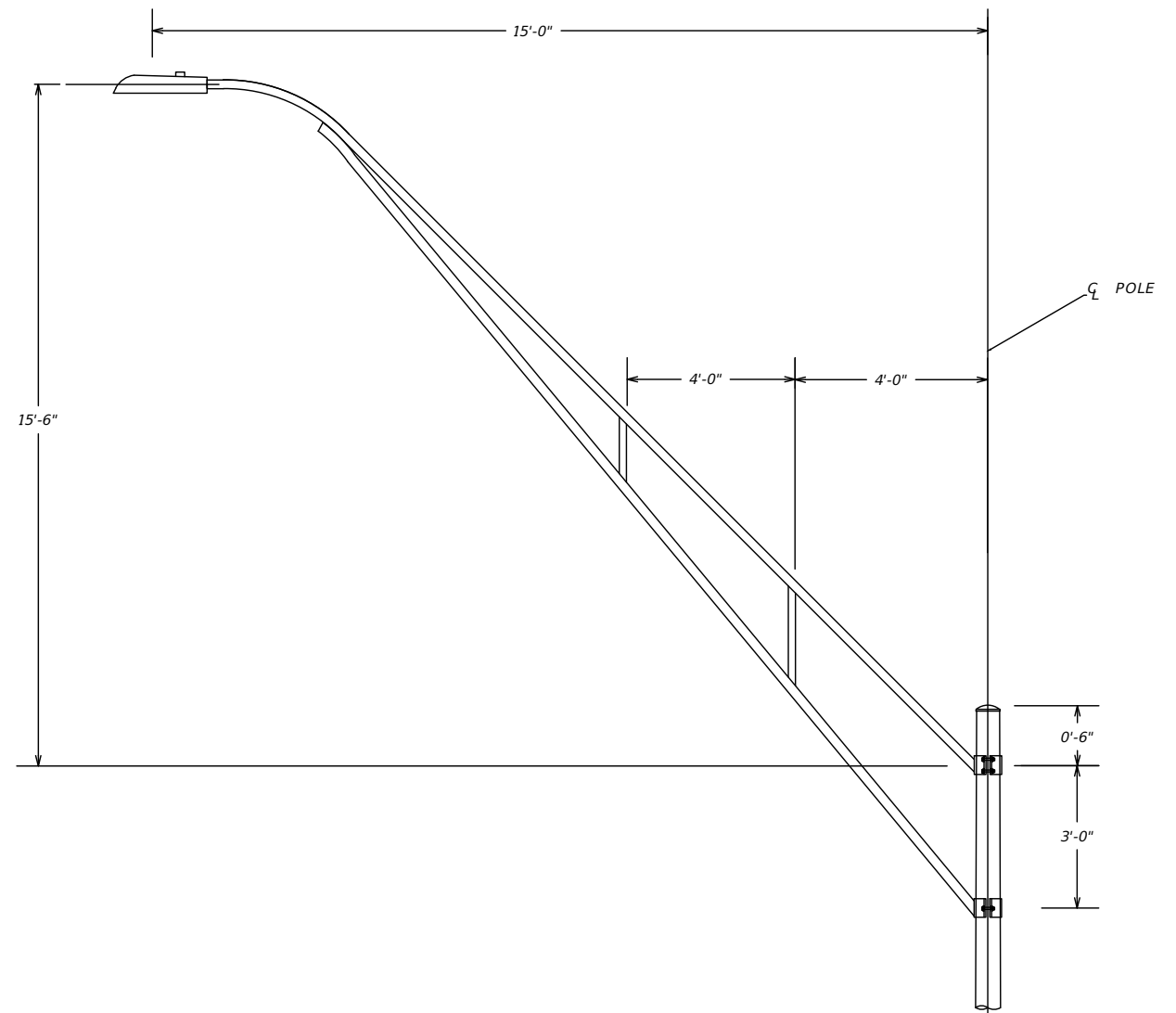
THE OFFICIAL RECORD OF THIS SHEET IS THE ELECTRONIC FILE DIGITALLY SIGNED AND SEALED UNDER RULE 61G15-23.004, F.A.C.



**25-FOOT MOUNTING HEIGHT
UTILITY CONFLICT LIGHT POLE**
NTS



**30-FOOT MOUNTING HEIGHT
UTILITY CONFLICT LIGHT POLE**
NTS

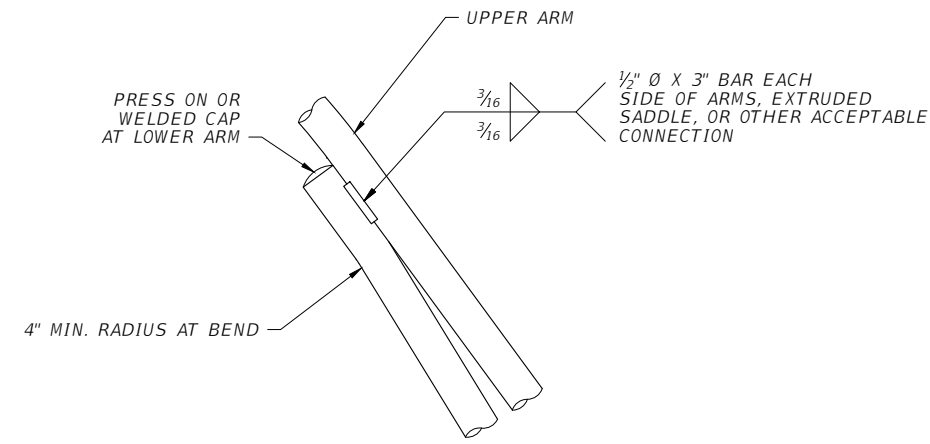
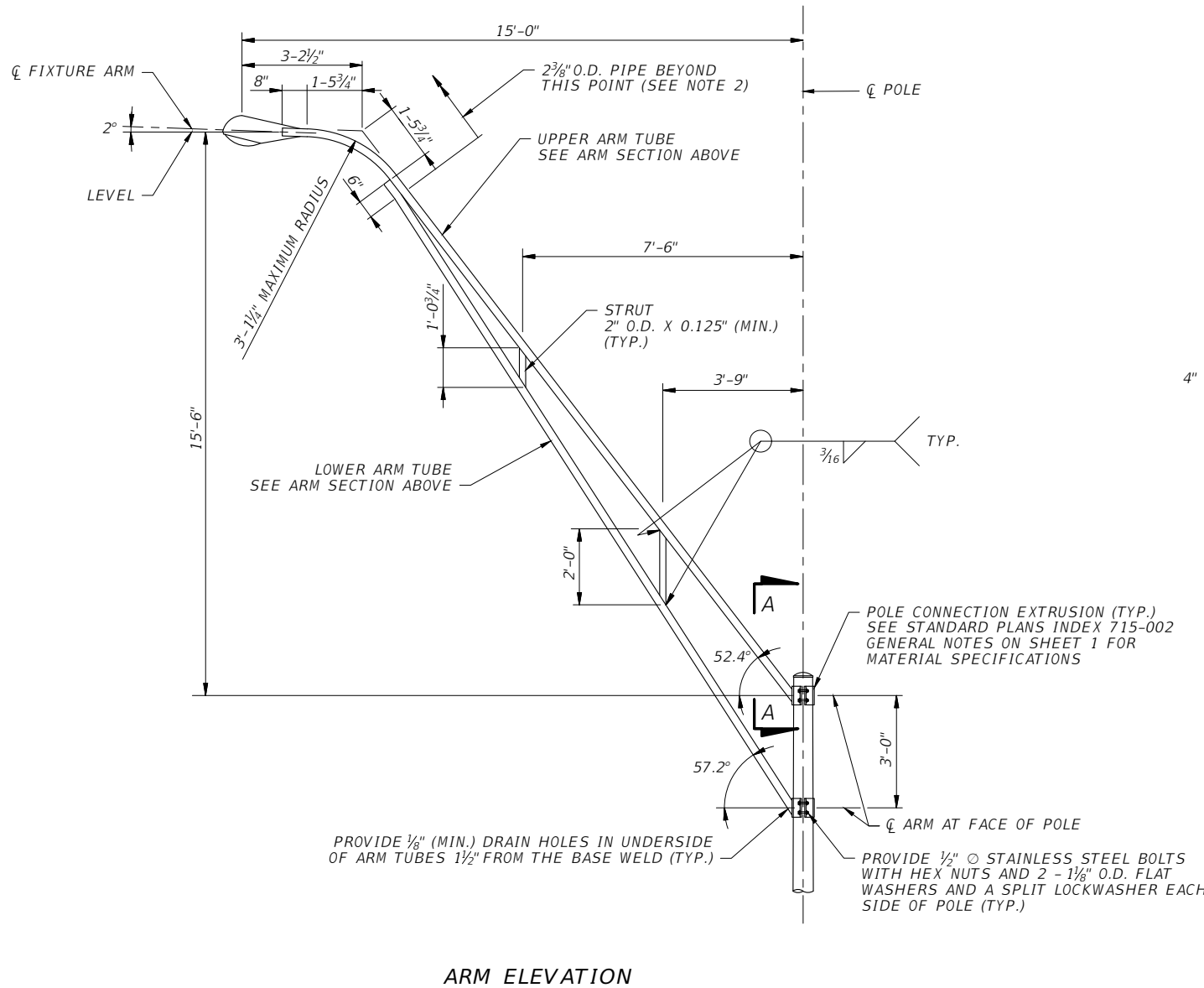
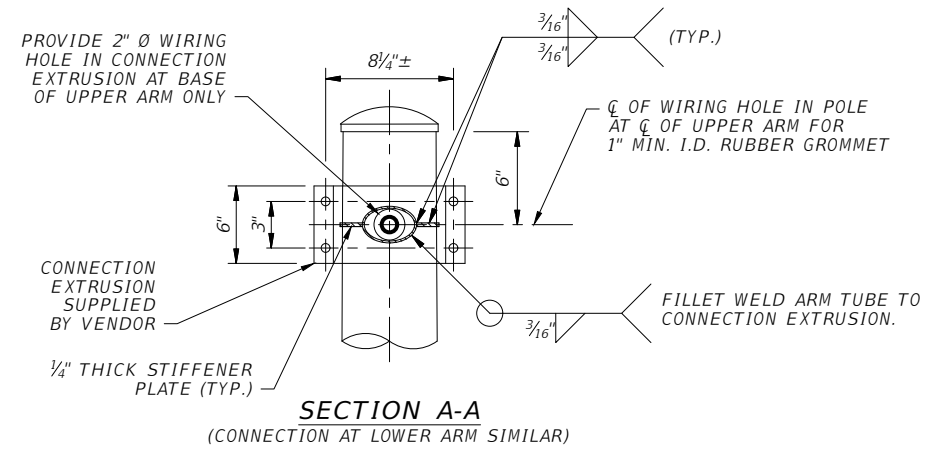
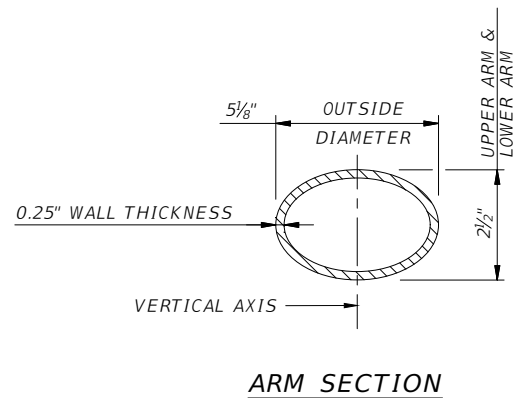


**LUMINAIRE
ARM ELEVATION**
NTS

NOTES:

1. SUBMIT A SIGNED AND SEALED SHOP DRAWING FOR COMPLETE UTILITY CONFLICT LIGHT POLE ASSEMBLIES.
2. SEE GRAVITY WALL LIGHT POLE SPECIAL FOUNDATION DETAILS FOR LIGHT POLES AT THE GRAVITY WALL.
3. SEE GENERAL NOTES FOR ADDITIONAL INFORMATION FOR STANDARD FOUNDATIONS.
4. THE LIGHT POLE SHALL HAVE A WIND LOAD OF 160 MPH.

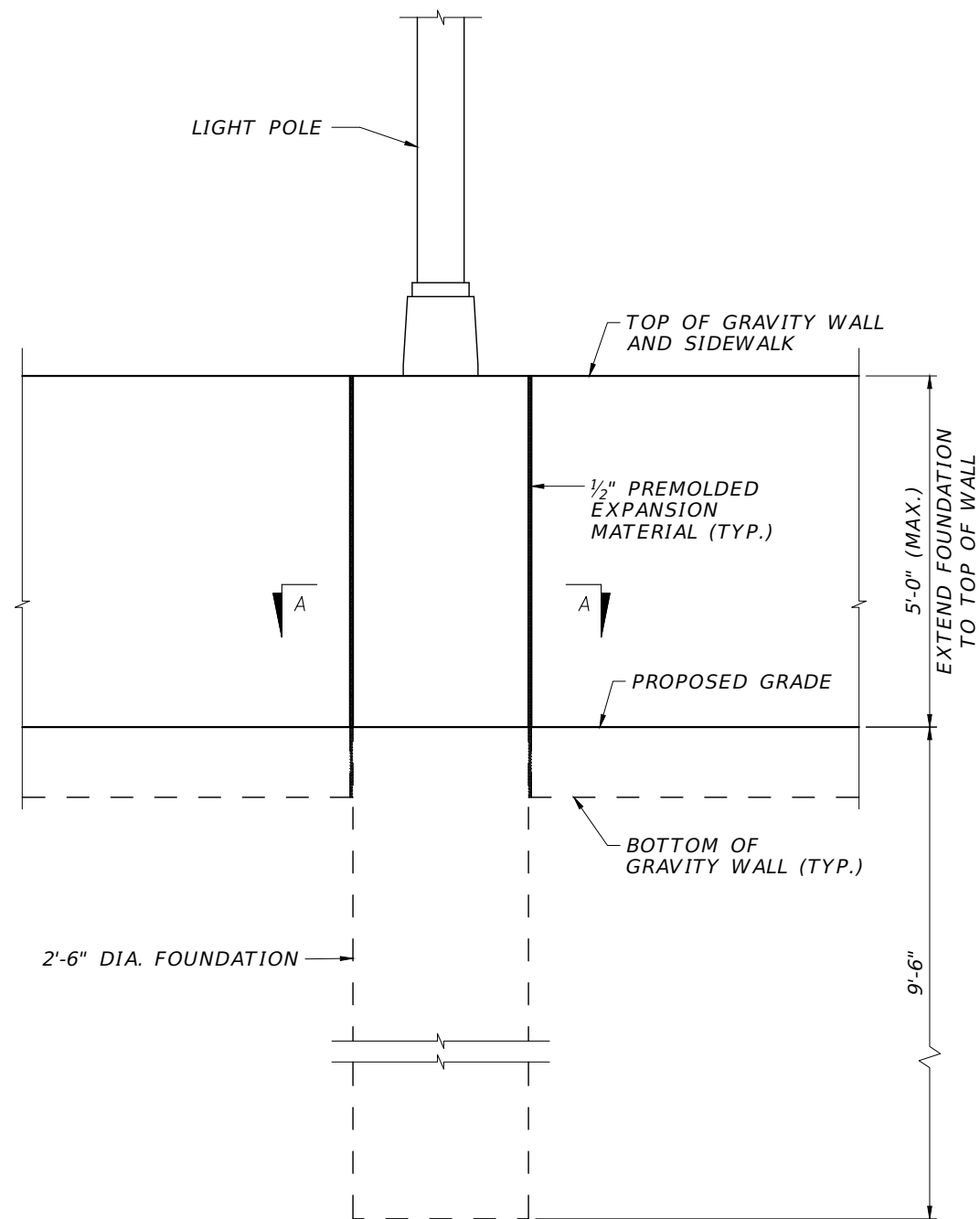
REVISIONS				DAVID J. ALLEN, P.E. P.E. LICENSE NUMBER 58540 STANTEC, INC. 3905 CRESCENT PARK DRIVE RIVERVIEW, FLORIDA 33578	LEE COUNTY DEPARTMENT OF TRANSPORTATION			UTILITY CONFLICT LIGHT POLE DETAILS (1)	SHEET NO.
DATE	DESCRIPTION	DATE	DESCRIPTION		ROAD NAME	COUNTY	CONTRACT NO.		
					LITTLETON ROAD	LEE	CN190114		L-19



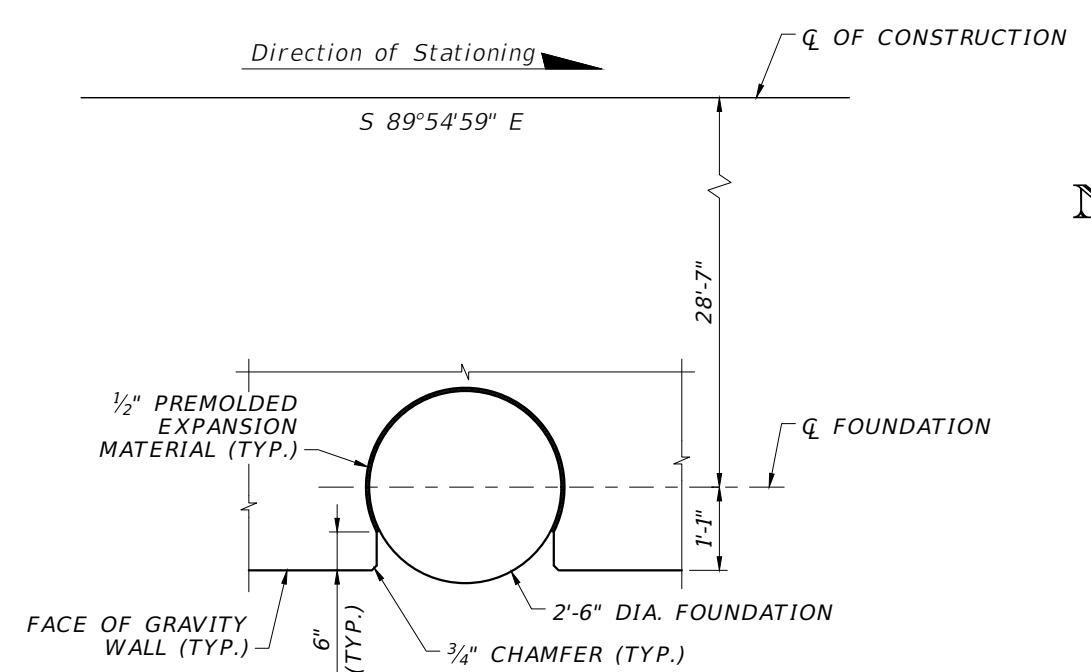
- ARM TUBE EXTRUSIONS NOTES:**
1. WORK THESE DETAILS WITH STANDARD PLANS INDEX 715-002.
 2. AT THE POLE CONNECTIONS, PROVIDE ARM TUBE EXTRUSIONS WITH DIMENSIONS AS SHOWN. UNIFORMLY TRANSITION ELLIPTICAL SECTION TO A CYLINDRICAL SECTION AT THE ARM CONNECTION.
 3. THE FABRICATOR MAY SUBSTITUTE ELLIPTICAL CROSS SECTIONS OTHER THAN THOSE TABULATED, PROVIDED THE SECTION PROPERTIES ABOUT THE VERTICAL AXIS AND THE AREA OF THE SECTION EQUAL OR EXCEED THAT OF THE REQUIRED SECTION, AND PROVIDE MINIMUM WALL THICKNESS OF 0.188" AND WITHIN THE ALUMINUM ASSOCIATION TOLERANCES.
 4. THE OUTSIDE DIAMETER ABOUT THE MINOR AXIS SHOULD BE HELD AT 2.5" AT THE UPPER AND LOWER ARMS.
 5. DETAILS PROVIDED ARE FOR BIDDING PURPOSES ONLY. SUBMIT STRUCTURAL CALCULATIONS FOR THE BRACKET ARM FOR A DESIGN WIND SPEED OF 160 MPH ALONG WITH SHOP DRAWINGS.

REVISIONS				CHRISTOPHER P. GAMACHE, P.E. P.E. LICENSE NUMBER 82122 STANTEC, INC. 380 PARK PLACE BOULEVARD, SUITE 300 CLEARWATER, FLORIDA 33759	LEE COUNTY DEPARTMENT OF TRANSPORTATION			UTILITY CONFLICT LIGHT POLE DETAILS (2)	SHEET NO.
DATE	DESCRIPTION	DATE	DESCRIPTION		ROAD NAME	COUNTY	CONTRACT NO.		
						LITTLETON ROAD	LEE		CN190114

THE OFFICIAL RECORD OF THIS SHEET IS THE ELECTRONIC FILE DIGITALLY SIGNED AND SEALED UNDER RULE 61G15-23.004, F.A.C.



ELEVATION



SECTION A-A

NOTES:

1. SEE SHEET L-16 FOR LIGHT POLE LOCATIONS.
2. WORK THIS DETAIL WITH FDOT STANDARD PLANS INDEX 715-002.
3. STANDARD LIGHT POLE FOUNDATION AND REINFORCEMENT SHALL BE EXTENDED TO THE TOP OF THE GRAVITY WALL AS SHOWN.
4. INSTALL LIGHT POLE FOUNDATION PRIOR TO INSTALLING GRAVITY WALL.
5. SEE ROADWAY PLANS FOR PEDESTRIAN RAILING DETAILS.

REVISIONS				CHRISTOPHER P. GAMACHE, P.E. P.E. LICENSE NUMBER 82122 STANTEC, INC. 380 PARK PLACE BOULEVARD, SUITE 300 CLEARWATER, FLORIDA 33759	LEE COUNTY DEPARTMENT OF TRANSPORTATION			GRAVITY WALL LIGHT POLE SPECIAL FOUNDATION DETAILS	SHEET NO.
DATE	DESCRIPTION	DATE	DESCRIPTION		ROAD NAME	COUNTY	CONTRACT NO.		
						LITTLETON ROAD	LEE		CN190114

#10 AWG THHN/THWN-2
BLACK, RED, GREEN

PROPER SIZED BUTT SPLICE
CRIMP CONNECTOR

240VAC SURGE ARRESTOR
(ASCO MODEL 235 - 235240NF030AWLN0)
OR (HESCO/RLS HE240BB)

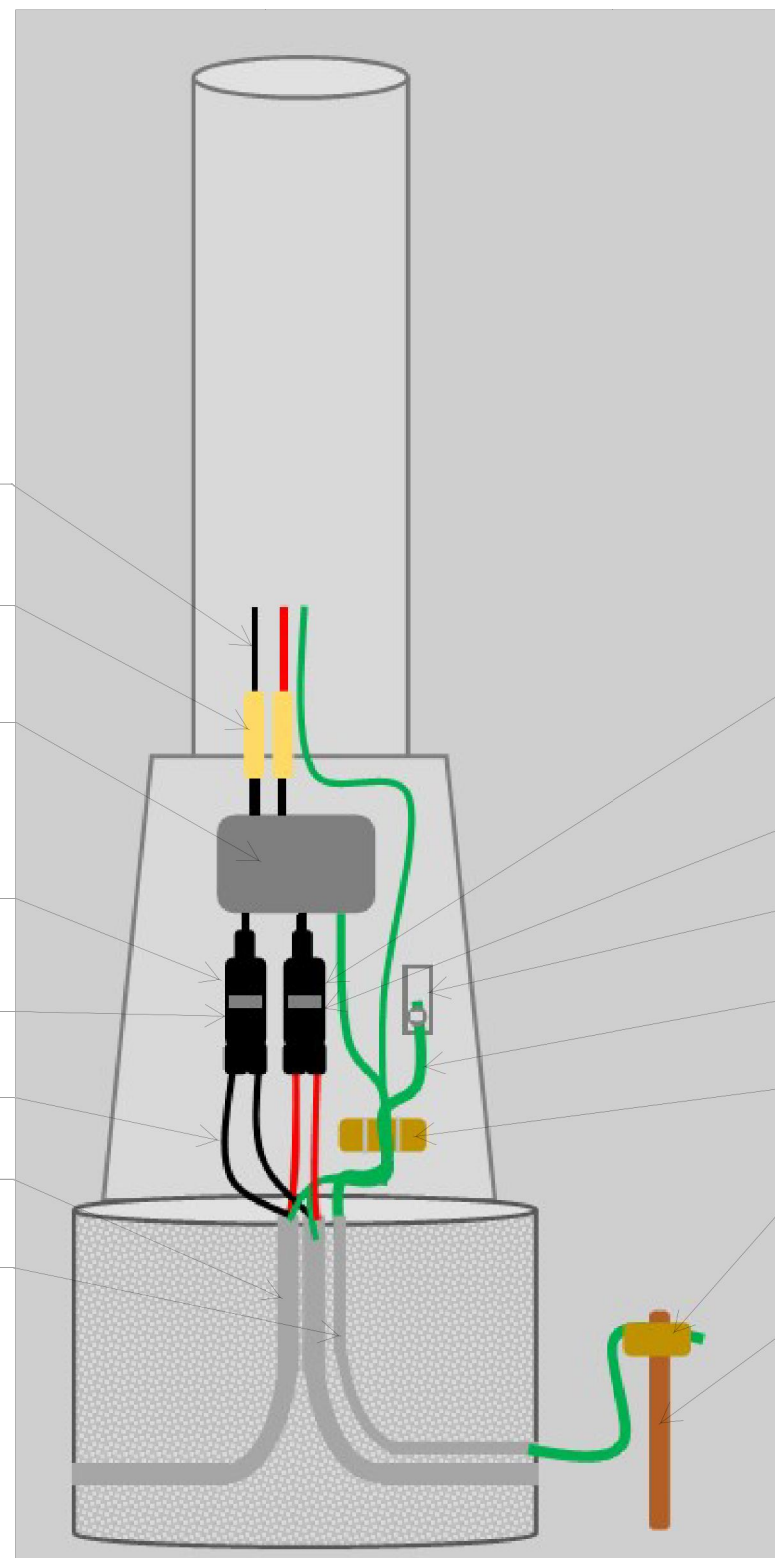
BREAKAWAY FUSE HOLDER WITH LINESIDE
TERMINAL HAVING A CU DUAL SETSCREW AND THE
LOADSIDE TERMINAL HAVING CU CRIMP CONNECTOR.
(BUSSMANN - HEB-AW-RYC)

KTK-5 FUSE

MINIMUM #10 AWG THHN/THWN-2
BLACK, RED, GREEN

TWO (2) INCH PVC CONDUIT

3/4 INCH PVC CONDUIT



BREAKAWAY FUSE HOLDER WITH LINESIDE
TERMINAL HAVING A CU DUAL SETSCREW AND THE
LOADSIDE TERMINAL HAVING CU CRIMP CONNECTOR.
(BUSSMANN - HEB-AW-RYC)

KTK-5 FUSE

TERMINAL LUG

GREEN #6 AWG THHN/THWN-2

PROPERLY SIZED COPPER
SPLIT BOLT OR COPPER C TAP

GROUND ROD ACORN OR
EXOTHERMIC WELD

MINIMUM OF TWO (2), TEN (10)
FOOT LENGTH 5/8" COPPER
CLAD GROUND ROD

240 VAC

REVISION
11/13/2020

Streetlight Pole Wiring Detail
Streetlight T-Base wiring connections

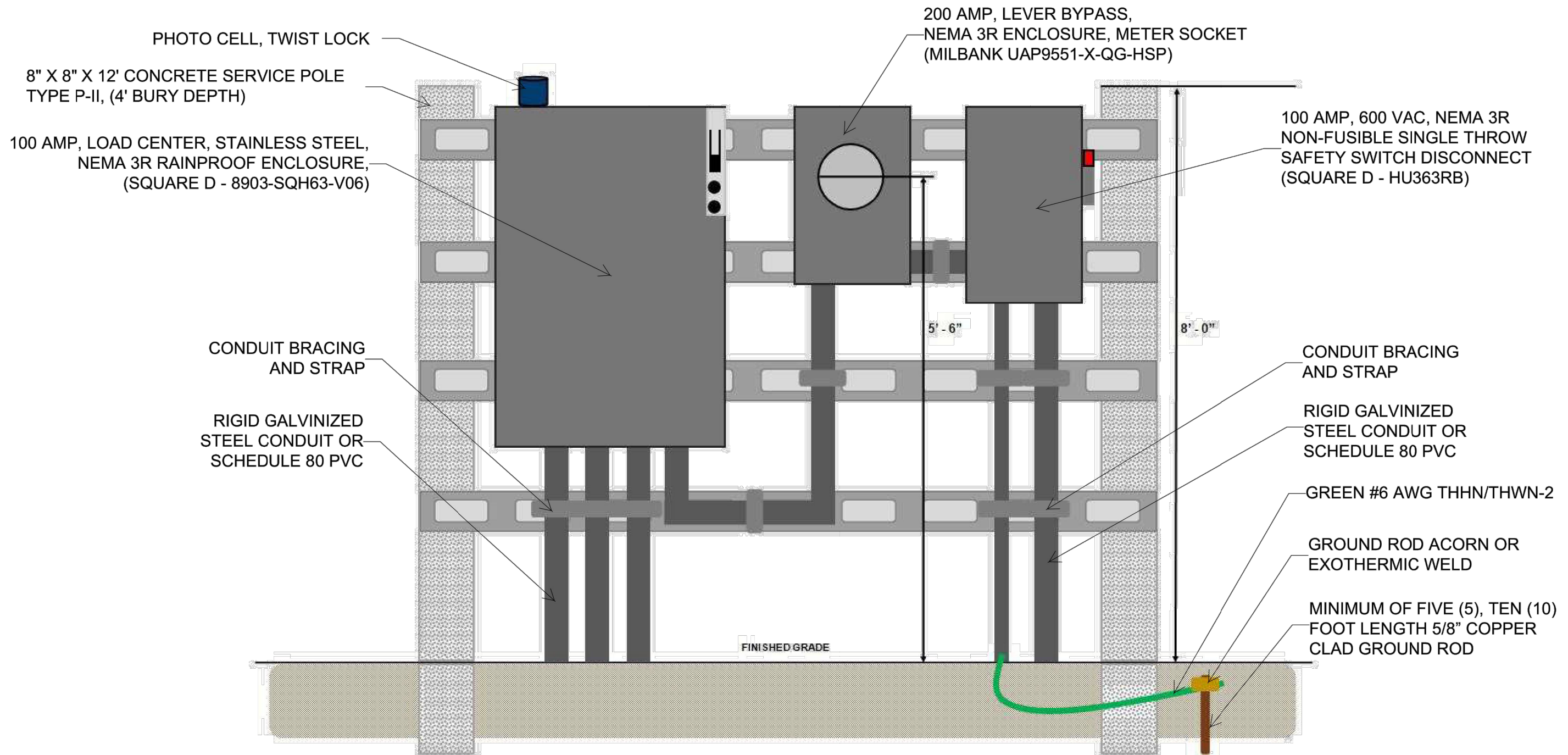
Lee County Department of Transportation - Traffic

INDEX NO.
21

SHEET NO.
2 of 4

DRAWN BY: RYAN KIRSCH

REVISIONS				DAVID J. ALLEN, P.E. P.E. LICENSE NUMBER 58540 STANTEC, INC. 3905 CRESCENT PARK DRIVE RIVERVIEW, FLORIDA 33578	LEE COUNTY DEPARTMENT OF TRANSPORTATION			STREETLIGHT POLE WIRING DETAIL	SHEET NO. L-22
DATE	DESCRIPTION	DATE	DESCRIPTION		ROAD NAME	COUNTY	CONTRACT NO.		
					LITTLETON ROAD	LEE	CN190114		



Within 150' of Electrical Service Feed

REVISION 11/16/2020	Street lighting Service Point Detail Load Center, Secondary Voltage with Meter	Lee County Department of Transportation - Traffic DRAWN BY: RYAN KIRSCH	INDEX NO. 21	SHEET NO.
------------------------	---	---	----------------------------	------------------

REVISIONS				DATE	DESCRIPTION	DAVID J. ALLEN, P.E. P.E. LICENSE NUMBER 58540 STANTEC, INC. 3905 CRESCENT PARK DRIVE RIVERVIEW, FLORIDA 33578	LEE COUNTY DEPARTMENT OF TRANSPORTATION			SHEET NO. L-23
DATE	DESCRIPTION	DATE	DESCRIPTION				ROAD NAME	COUNTY	CONTRACT NO.	
							LITTLETON ROAD	LEE	CN190114	