

CONTRACT PLANS COMPONENTS
 SIGNING AND PAVEMENT MARKING PLANS
 SIGNALIZATION PLANS
 LIGHTING PLANS
 LANDSCAPE PLANS
 STRUCTURE PLANS

A DETAILED INDEX APPEARS ON THE KEY SHEET OF EACH COMPONENT

INDEX OF ROADWAY PLANS

SHEET NO.	SHEET DESCRIPTION
1	KEY SHEET
2	SUMMARY OF PAY ITEMS
3-7	TYPICAL SECTIONS
8-11	SUMMARY OF DRAINAGE STRUCTURES
12-37	ALICO ROAD PLAN SHEET
38	WILD BLUE PLAN SHEET
39-40	EXISTING ALICO ROAD PLAN SHEETS
41-66	PROFILE SHEETS
67-72	DRAINAGE MAP
73-74	OUTFALL DETAILS
75-79	POND DETAILS
80-83	DRAINAGE DETAILS
84-99	DRAINAGE CROSS SECTIONS
100-147	CROSS SECTIONS
148-149	STORMWATER POLLUTION PREVENTION PLAN
150-177	EROSION CONTROL SHEETS
178-180	TEMPORARY TRAFFIC CONTROL PLAN

LEE COUNTY BOARD OF COMMISSIONERS

- DISTRICT 1: KEVIN RUANE
- DISTRICT 2: CECIL PENDERGRASS
- DISTRICT 3: RAY SANDELLI
- DISTRICT 4: BRIAN HAMMAN
- DISTRICT 5: VACANT



GOVERNING STANDARD PLANS:

Florida Department of Transportation, FY 2022-2023 Standard Plans for Road and Bridge Construction and applicable Interim Revisions (IRs).

Standard Plans for Road Construction and associated IRs are available at the following website: <http://www.fdot.gov/design/standardplans>

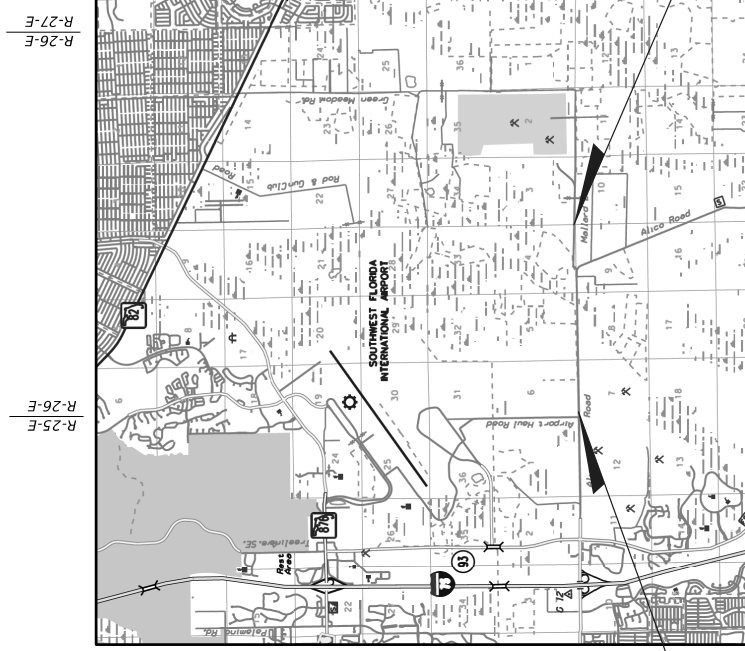
Standard Plans for Bridge Construction are included in the Structures Plans Component

GOVERNING STANDARD SPECIFICATIONS:

Florida Department of Transportation, FY 2022-2023 Standard Specifications for Road and Bridge Construction at the following website: <http://www.fdot.gov/programmanagement/implemented/SpecBooks>

LEE COUNTY
DEPARTMENT OF TRANSPORTATION
CONTRACT PLANS

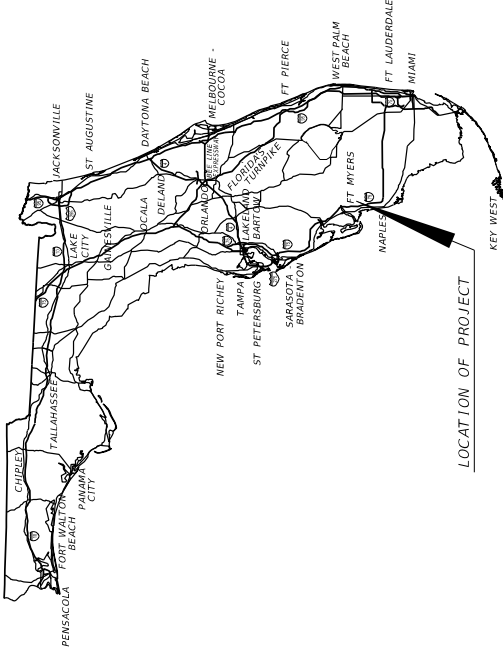
PROJECT NO.
LEE COUNTY (208549)
ALICO ROAD CONNECTOR - PHASE 1



ROADWAY PLANS
ENGINEER OF RECORD:

RYAN K. BELL, P.E.
 P.E. LICENSE NUMBER 60010
 JOHNSON ENGINEERING INC.
 2122 JOHNSON STREET
 FORT MYERS, FL 33901
 CONTRACT NO. CN210084BAG
 CERTIFICATE OF AUTHORIZATION NO.: 642

PROJECT MANAGER:
 VINCE MILLER, P.E.



LOCATION OF PROJECT

60% SUBMITTAL
JULY 2022

CONSTRUCTION CONTRACT NO.	FISCAL YEAR	SHEET NO.
	21	1

PAY ITEM NO.	PAY ITEM DESCRIPTION	UNIT	QUANTITY
101.1	MOBILIZATION	LS	1
102.1	MAINTENANCE OF TRAFFIC	LS	1
104.10.3	SEDIMENT BARRIERS - SILT FENCE	LF	31,637
104.11	FLOATING TURBIDITY BARRIER	LF	325
104.12	STAKED TURBIDITY BARRIER - NYLON REINFORCED PVC	LF	336
104.18	INLET PROTECTION SYSTEM	EA	50
110.1.1	CLEARING & GRUBBING	LS	1
120.1	EXCAVATION REGULAR	CY	
120.4	SUBSOIL EXCAVATION (CONTINGENCY)	CY	
120.6	EMBANKMENT	CY	
160.4	TYPE B STABILIZATION (LBR 40)	SY	120,345
285.701	OPTIONAL BASE, BASE GROUP 01 (PATHWAY)	SY	36,703
285.704	OPTIONAL BASE, BASE GROUP 04 (6" LINEROCK DRIVE)	SY	1,565
285.711	OPTIONAL BASE, BASE GROUP 11	SY	104,297
327.70.6	MILLING EXIST ASPH PAVT., 1.5" AVG DEPTH	SY	2,345
334.1.12	SUPERPAVE ASPHALTIC CONCRETE, TRAFFIC B, SP-9.5 (1") (PATHWAY)	TN	1,913
334.1.14	SUPERPAVE ASPHALTIC CONCRETE, TRAFFIC D, SP-12.5 (1.5")	TN	8,580
334.1.54	SUPERPAVE ASPHALTIC CONCRETE, TRAFFIC D, SP-12.5, PG 76-22 PMA (1.5")	TN	8,659
337.7.85	ASPHALTIC CONCRETE FRICTION COURSE, TRAFFIC D, FC-12.5, PG 76-22 PMA (1.5")	TN	8,659
339.1	MISCELLANEOUS ASPHALT PAVEMENT (GUARDRAIL) 2" THICK	TN	32
350.3.1	PLAIN CEMENT CONCRETE PAVEMENT, 6" (MEDIAN NOSE)	SY	16
400.010	CONCRETE CLASS NS - CANTILEVER WALL, INDEX 400-10	CY	248
425.1.311	INLETS, CURB, TYPE P-1, <10"	EA	6
425.1.312	INLETS, CURB, TYPE P-1, >10"	EA	2
425.1.321	INLETS, CURB, TYPE P-2, <10"	EA	32
425.1.421	INLETS, CURB, TYPE J-2, <10"	EA	9
425.1.521	INLETS, DT BOT, TYPE C, <10"	EA	5
425.1.541	INLETS, DT BOT, TYPE D, <10"	EA	0
425.1.581	INLETS, DT BOT, TYPE H, <10"	EA	5.0
425.2.91	MANHOLES, J-7, >10"	EA	19
425.2.91	MANHOLES, J-7, >10"	EA	4
430.175.118	CONCRETE PIPE CULVERT CLASS III, 18"	LF	2,697
430.175.124	CONCRETE PIPE CULVERT CLASS III, 24"	LF	1,685
430.175.130	CONCRETE PIPE CULVERT CLASS III, 30"	LF	679
430.175.148	CONCRETE PIPE CULVERT CLASS III, 48"	LF	664
430.175.154	CONCRETE PIPE CULVERT CLASS III, 54"	LF	687
430.175.160	CONCRETE PIPE CULVERT CLASS III, 60"	LF	5,488
430.982.129	MITERED END SECTION, OPTIONAL ROUND 24" CD	EA	5
430.982.133	MITERED END SECTION, OPTIONAL ROUND 30" CD	EA	2
BC-1	BOX CULVERT 4'X8'	LA	1
BC-2	BOX CULVERT 4'X8'	LS	1
BC-3	BOX CULVERT 4'X8'	LS	1
520.1.7	CONCRETE CURB & GUTTER, TYPE E	LF	28,963
520.1.10	CONCRETE CURB & GUTTER, TYPE F	LF	29,009
520.2.1	CONCRETE CURB & GUTTER, TYPE A	LF	135
520.5.11	TRAFFIC SEPARATOR CONCRETE-TYPE I, (4" WIDE)	LF	44
522.2	CONCRETE SIDEWALK AND DRIVEWAYS, 6" THICK	SY	1,850
527.2	DETECTABLE WARNINGS	SF	390
530.3.4	RIPRAP, RUBBLE, F&I, DITCH LINING	TN	200
536.1.0	GUARDRAIL - ROADWAY, GERNEAL LOW SPEED TL-2	LF	577
536.6	PIPE RAIL FOR GUARDRAIL	LF	600
536.85.24	GUARDRAIL END TREATMENT - PARALLEL APPROACH TERMINAL	EA	4
536.8.111	GUARDRAIL TRANSMISSION CONNECTION TO RIGID BARRIER, F&I, INDEX 536-001, APPROACH TL-2	EA	4
550.60.124	FENCE GATE, TYPE A, DBL.0-5' 18.1-20.0' OPENING	EA	1
550.10.119	FENCING, TYPE A, 0.0-50', SPECIAL FEATURES	LF	1,628
570.1.2	PERFORMANCE TURF, SOD	SY	134,023

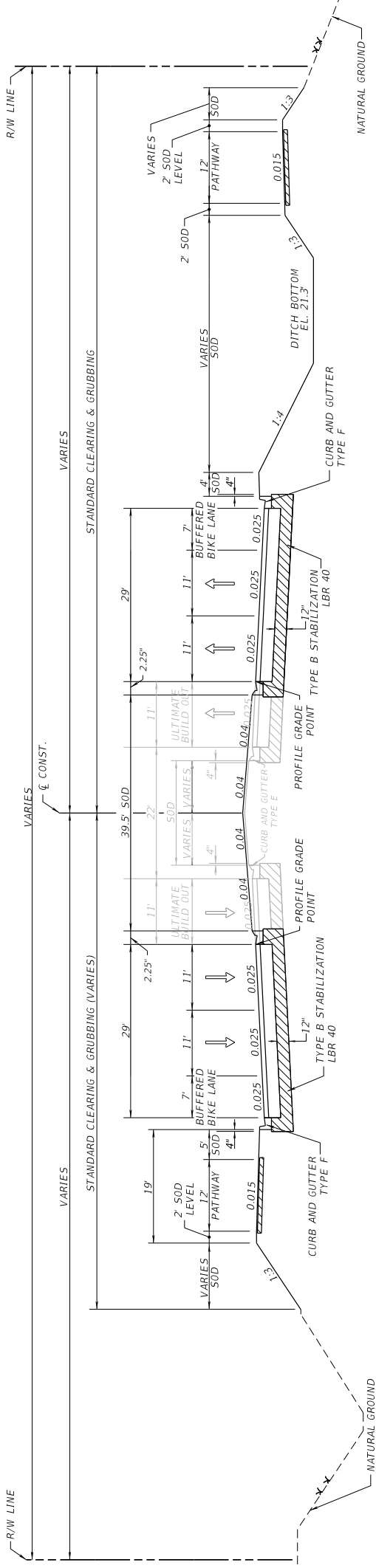
PAY ITEM NO.	PAY ITEM DESCRIPTION	UNIT	QUANTITY
*	RETRO-REFLECTIVE PAVEMENT MARKERS	EA	1,341
*	PAINT, STD., WHITE, SOLID, 6"	GM	0,256
*	PAINT, STD., WHITE, SOLID, 8"	GM	0,256
*	PAINT, STD., WHITE, SOLID, CROSSWALK/RA, 12"	LF	2,063
*	PAINT, STD., WHITE, SOLID, DIAG./CHEVRON, 18"	LF	2,328
*	PAINT, STD., WHITE, SOLID, STOP LINES/CROSSWALK, 24"	LF	2,489
*	PAINT, STD., WHITE, SKIP, 6" (10/30)	GM	0,472
*	PAINT, STD., WHITE, SKIP, 3-9 LANE DROP, 12"	GM	0,472
*	PAINT, STD., WHITE, GUIDE LINE, 6" (2/4)	GM	0,472
*	PAINT, STD., MESSAGE OR SYMBOL	EA	2,502
*	PAINT, STD., ARROWS	EA	2,562
*	PAINT, STD., YELLOW, SOLID, 6"	GM	0,486
*	PAINT, STD., YELLOW, SOLID, 8"	GM	0,486
*	PAINT, STD., YELLOW, SOLID, DIAG./CHEVRONS, 18"	LF	2,698
*	PAINT, STD., YELLOW, DOTTED EXT., 6" (6/10)	GM	0,511
0710.11290	PAINT, STD., WHITE, ISLAND NOSE	SF	2,735
0710.11290	PAINT, STD., YELLOW, ISLAND NOSE	SF	3,051
0710.90	PAINT, FINAL SURFACE	LS	1
0711.11123	THERMO, STD., WHITE, SOLID, 12" FOR CROSSWALK AND ROUNDABOUT	LF	3,763
0711.11124	THERMO, STD., WHITE, SOLID, 18" FOR DIAGONALS AND CHEVRONS	LF	4,027
0711.11125	THERMO, STD., WHITE, SOLID, 24" FOR STOP LINE AND CROSSWALK	LF	4,189
0711.11141	THERMO, STD., WHITE, GUIDE LINE, 6" (2/4)	GM	0,793
0711.11160	THERMO, STD., MESSAGE OR SYMBOL	EA	4,196
0711.11170	THERMO, STD., ARROWS	EA	4,256
0711.11224	THERMO, STD., YELLOW, SOLID, 18" FOR DIAGONAL OR CHEVRONS	LF	4,388
0711.11241	THERMO, STD., YELLOW, DOTTED EXT., 6" (6/10)	GM	0,831
0711.14125	THERMO, PREFORMED, WHITE, SOLID, 24" FOR CROSSWALK	LF	4,704
0711.14160	THERMO, PREFORMED, MESSAGE OR SYMBOL (BIKE)	EA	4,731
0711.16101	THERMO, STD., OTHER SURFACES, WHITE, SOLID, 6"	GM	0,903
0711.16102	THERMO, STD., OTHER SURFACES, WHITE, SOLID, 8"	GM	0,903
0711.16131	THERMO, STD., OTHER SURFACES, WHITE, SKIP, 6" (10/30)	GM	0,904
0711.16133	THERMO, STD., WHITE, SKIP, 3-9 LANE DROP, 12"	GM	0,904
0711.16201	THERMO, STD., OTHER SURFACES, YELLOW, SOLID, 6"	GM	0,905
0711.16202	THERMO, STD., OTHER SURFACES, YELLOW, SOLID, 8"	GM	0,905

* THESE QUANTITIES ARE PAID FOR UNDER PAINT (FINAL SURFACE) LUMP SUM - ITEM NO. 710-90.
 THE QUANTITIES SHOWN ARE FOR ONE APPLICATION. SEE SPECIFICATION 710 FOR THE NUMBER OF APPLICATIONS REQUIRED.

DEPARTMENT OF TRANSPORTATION		LEE COUNTY	FINANCIAL PROJECT ID	SHEET NO.
ROAD NO.	COUNTY			
	LEE			2

ENGINEER OF RECORD		REVISIONS	
RYAN K. BELL, P.E.	DESCRIPTION	DATE	DESCRIPTION
LICENSE NUMBER: 60010			
JOHNSON ENGINEERING INC.			
2122 JOHNSON STREET			
FORT MYERS, FL 33901			

SUMMARY OF PAY ITEMS



**TYPICAL SECTION
ALICO ROAD CONNECTOR
STA. 188+83.92 TO STA. 200+14.31**

*L.T. ROADWAY 188+93.92 TO 193+80.00
TO BE MILLED AND RESURFACED

MILLING & RESURFACING
FRICTION COURSE FC-12.5 (TRAFFIC D) (PG 76-22) (PMA) (1.5")

NEW CONSTRUCTION
TYPE B STABILIZATION LBR 40 (12")
OPTIONAL BASE GROUP 11

TYPE SP 12.5 STRUCTURAL COURSE (TRAFFIC D) (1.5")
TYPE SP 12.5 STRUCTURAL COURSE (TRAFFIC D) (PG 76-22) (PMA) (1.5")
FRICTION COURSE FC-12.5 (TRAFFIC D) (PG 76-22) (PMA) (1.5")

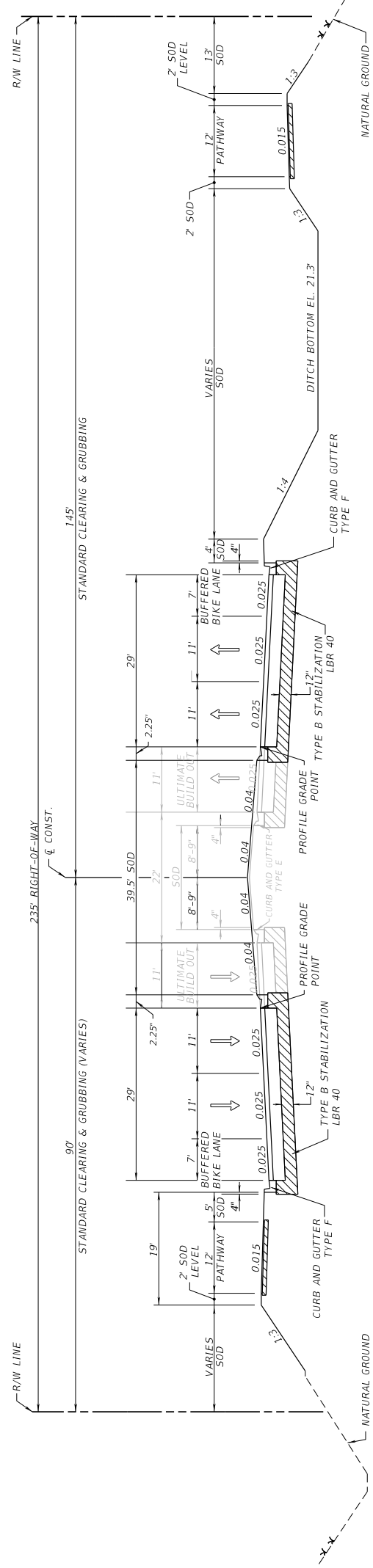
TRAFFIC DATA

CURRENT YEAR = 2021 AADT = N/A
ESTIMATED OPENING YEAR = 2025 AADT = 32000
ESTIMATED DESIGN YEAR = 2045 AADT = 42500
K = 9% D = 67.1% T = 7.3% (24 HOUR)
DESIGN HOUR T = 3.7%
DESIGN SPEED = 45 MPH
TARGET SPEED = 45 MPH

REVISIONS		DESCRIPTION		DATE	

ENGINEER OF RECORD		LEE COUNTY	
RYAN K. BELL, P.E. 60010		DEPARTMENT OF TRANSPORTATION	
LICENSE NUMBER		COUNTY	FINANCIAL PROJECT ID
JOHNSON ENGINEERING INC.		LEE	
2122 JOHNSON STREET			
FORT WALTERS, FL 32801			

TYPICAL SECTIONS		SHEET NO.
		3



TYPICAL SECTION
ALICO ROAD CONNECTOR
STA. 200+14.31 TO STA. 227+40.00

NEW CONSTRUCTION

- TYPE B STABILIZATION LBR 40 (12")
- OPTIONAL BASE GROUP 11
- TYPE SP 12.5 STRUCTURAL COURSE (TRAFFIC D) (1.5')
- TYPE SP 12.5 STRUCTURAL COURSE (TRAFFIC D) (PG 76-22) (PMA) (1.5')
- FRICITION COURSE FC-12.5 (TRAFFIC D) (PG 76-22) (PMA) (1.5')

TRAFFIC DATA

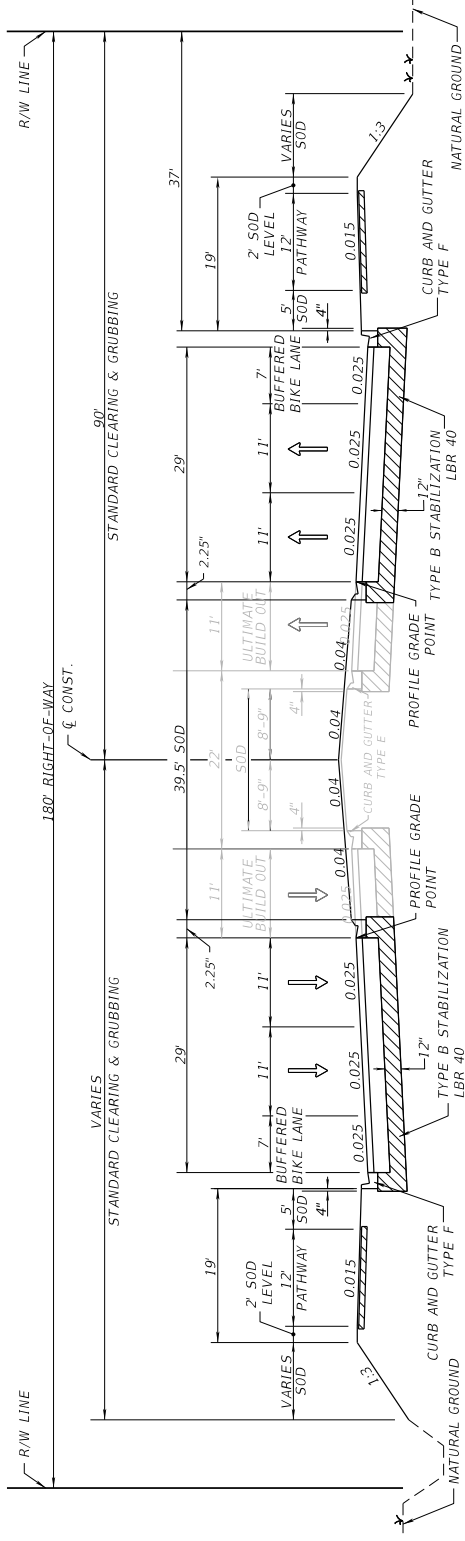
- CURRENT YEAR = 2021 AADT = N/A
- ESTIMATED OPENING YEAR = 2025 AADT = 32000
- ESTIMATED DESIGN YEAR = 2045 AADT = 42500
- K = 9% D = 67.1% T = 7.3% (24 HOUR)
- DESIGN HOUR T = 3.7%
- DESIGN SPEED = 45 MPH
- TARGET SPEED = 45 MPH

ASPHALT PATHWAY

- OPTIONAL BASE GROUP 1
- TYPE SP 9.5 (TRAFFIC B) (1")

REVISIONS		ENGINEER OF RECORD		DEPARTMENT OF TRANSPORTATION		SHEET NO.
DATE	DESCRIPTION	DATE	DESCRIPTION	ROAD NO.	FINANCIAL PROJECT ID	
		RYAN K. BELL, P.E.	60010	LEE COUNTY		4
		JOHNSON ENGINEERING INC.	2122 JOHNSON STREET	LEE		
			FORT MYERS, FL 33901			

TYPICAL SECTIONS



TYPICAL SECTION
ALICO ROAD CONNECTOR
STA. 227+40.00 TO STA. 276+40.00
STA. 310+00.00 TO STA. 330+00.00

NEW CONSTRUCTION

- TYPE B STABILIZATION LBR 40 (12')
- OPTIONAL BASE GROUP 11
- TYPE SP 12.5 STRUCTURAL COURSE (TRAFFIC D) (1.5')
- TYPE SP 12.5 STRUCTURAL COURSE (TRAFFIC D) (PG 76-22) (PMA) (1.5')
- FRICITION COURSE FC-12.5 (TRAFFIC D) (PG 76-22) (PMA) (1.5')

ASPHALT PATHWAY

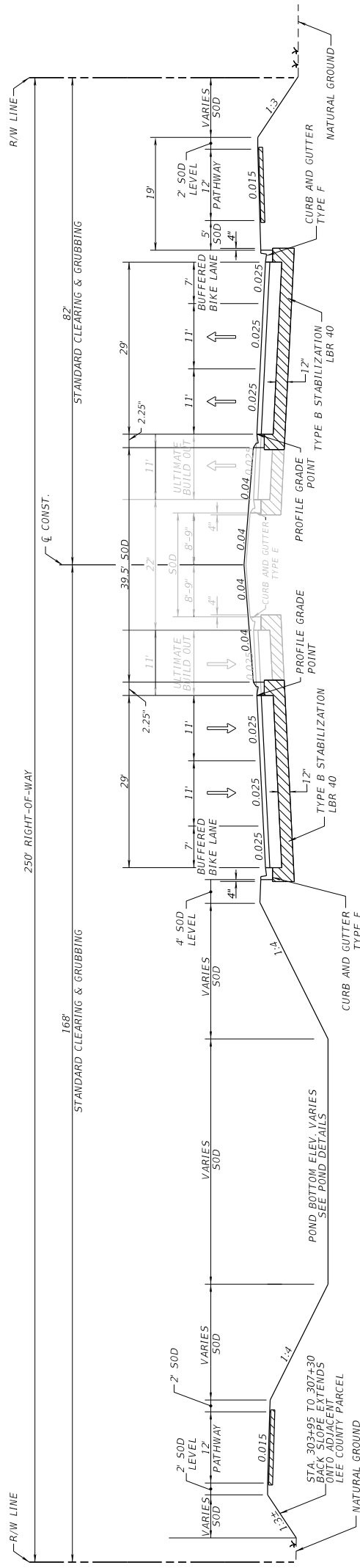
- OPTIONAL BASE GROUP 1
- TYPE SP 9.5 (TRAFFIC B) (1')

TRAFFIC DATA

- CURRENT YEAR = 2021 AADT = N/A
- ESTIMATED OPENING YEAR = 2025 AADT = 32000
- ESTIMATED DESIGN YEAR = 2045 AADT = 42500
- K = 9% D = 67.1% T = 7.3% (24 HOUR)
- DESIGN HOUR T = 3.7%
- DESIGN SPEED = 45 MPH
- TARGET SPEED = 45 MPH

REVISIONS		ENGINEER OF RECORD		DEPARTMENT OF TRANSPORTATION		SHEET NO.
DATE	DESCRIPTION	DATE	DESCRIPTION	ROAD NO.	FINANCIAL PROJECT ID	
		RYAN K. BELL, P.E.	60010	LEE COUNTY		5
		JOHNSON ENGINEERING INC.	2122 JOHNSON STREET	LEE		
		FORT MYERS, FL 33901				

TYPICAL SECTIONS



TYPICAL SECTION
ALICO ROAD CONNECTOR
STA. 276+40.00 TO STA. 310+00.00

NEW CONSTRUCTION

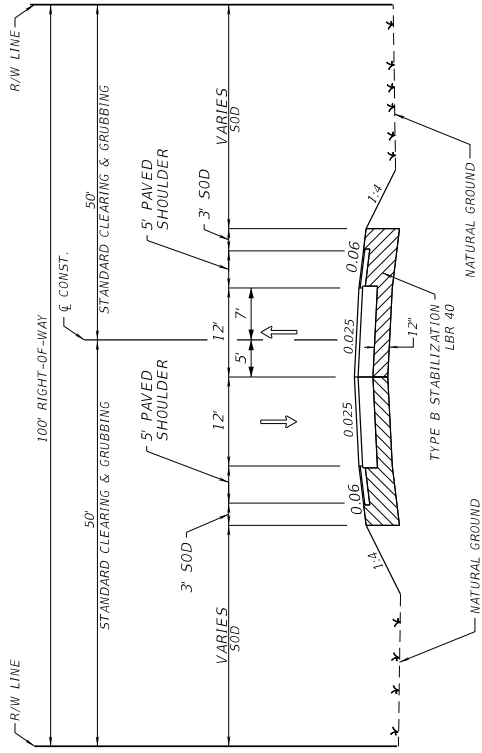
- TYPE B STABILIZATION LBR 40 (12")
- OPTIONAL BASE GROUP 11
- TYPE SP 12.5 STRUCTURAL COURSE (TRAFFIC D) (1.5')
- TYPE SP 12.5 STRUCTURAL COURSE (TRAFFIC D) (PG 76-22) (PMA) (1.5')
- FRICTION COURSE FC-12.5 (TRAFFIC D) (PG 76-22) (PMA) (1.5')

TRAFFIC DATA

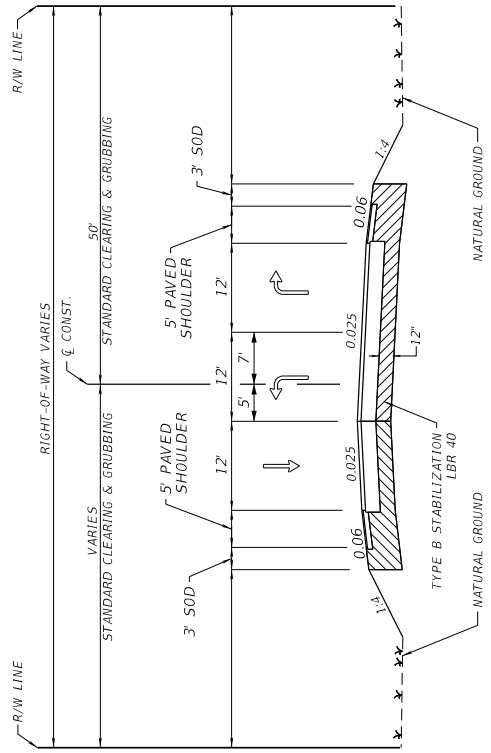
- CURRENT YEAR = 2021 AADT = N/A
- ESTIMATED OPENING YEAR = 2025 AADT = 32000
- ESTIMATED DESIGN YEAR = 2045 AADT = 42500
- K = 9% D = 67.1% T = 7.3% (24 HOUR)
- DESIGN HOUR T = 3.7%
- DESIGN SPEED = 45 MPH
- TARGET SPEED = 45 MPH

REVISIONS		ENGINEER OF RECORD	DEPARTMENT OF TRANSPORTATION		SHEET NO.
DATE	DESCRIPTION	RYAN K. BELL, P.E. LICENSE NUMBER 60010 JOHNSON ENGINEERING INC. 2122 JOHNSON STREET FORT MYERS, FL 33901	ROAD NO.	FINANCIAL PROJECT ID	
			LEE COUNTY		6
			COUNTY	LEE	

TYPICAL SECTIONS



**TYPICAL SECTION
EXISTING ALICO
STA. 37+92.90 TO STA. 38+42.86**



**TYPICAL SECTION
EXISTING ALICO
STA. 32+34.44 TO STA. 37+92.90**

NEW CONSTRUCTION / WIDENING

- TYPE B STABILIZATION LBR 40 (12")
- OPTIONAL BASE GROUP 11
- TYPE SP 12.5 STRUCTURAL COURSE (TRAFFIC D) (1.5")
- TYPE SP 12.5 STRUCTURAL COURSE (TRAFFIC D) (PG 76-22) (PMA) (1.5")
- FRICTION COURSE FC-12.5 (TRAFFIC D) (PG 76-22) (PMA) (1.5")

PAVED SHOULDER

- OPTIONAL BASE GROUP 1
- TYPE SP 12.5 STRUCTURAL COURSE (TRAFFIC D) (PG 76-22) (PMA) (1.5")
- FRICTION COURSE FC-12.5 (TRAFFIC D) (PG 76-22) (PMA) (1.5")

TRAFFIC DATA

- CURRENT YEAR = 2021 AADT = N/A
- ESTIMATED OPENING YEAR = 2025 AADT = 32000
- ESTIMATED DESIGN YEAR = 2045 AADT = 42500
- K = 9% D = 67.1% T = 7.3% (24 HOUR)
- DESIGN HOUR T = 3.7%
- DESIGN SPEED = 45 MPH
- TARGET SPEED = 45 MPH

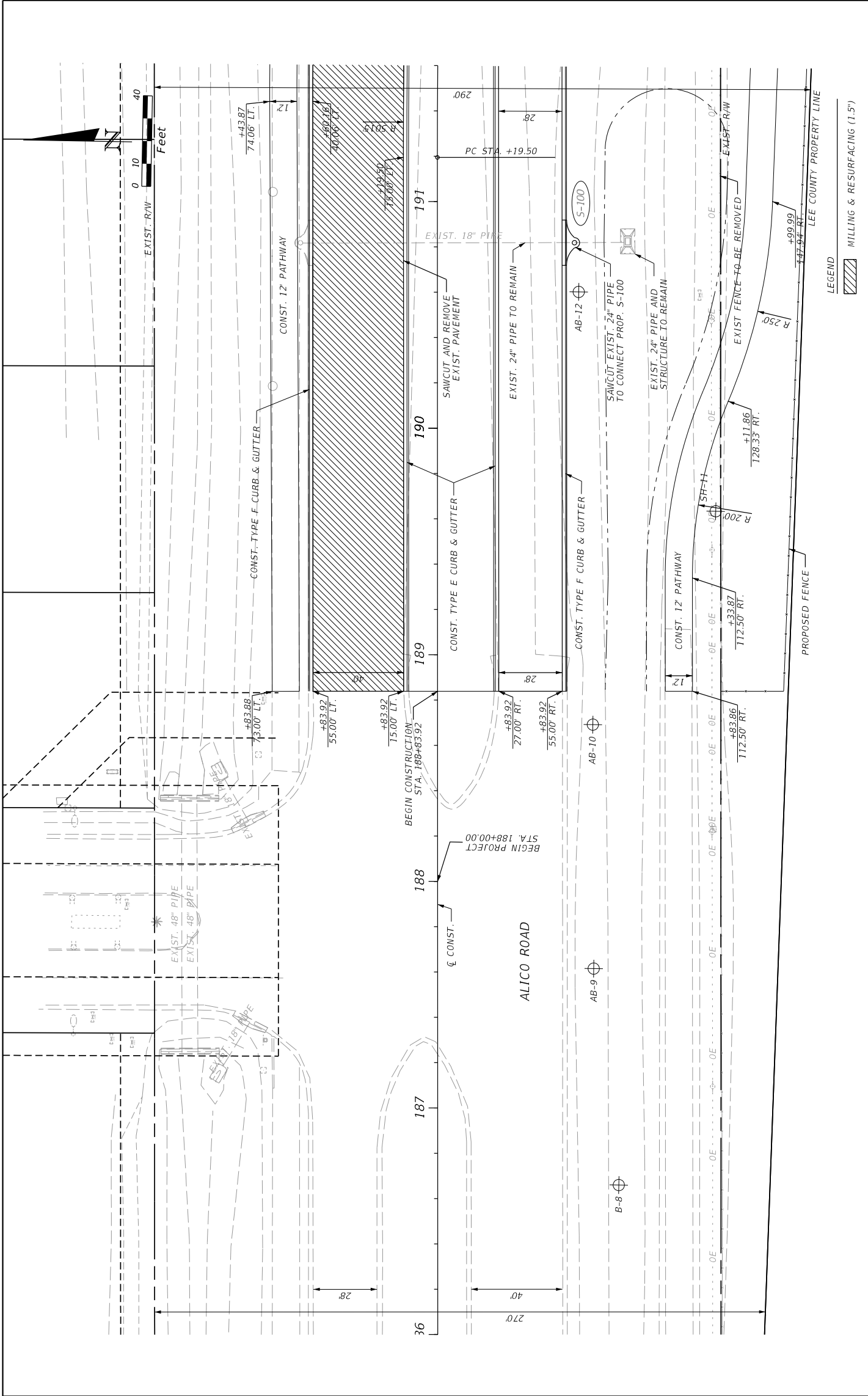
REVISIONS		ENGINEER OF RECORD		DEPARTMENT OF TRANSPORTATION		SHEET NO.
DATE	DESCRIPTION	DATE	DESCRIPTION	ROAD NO.	FINANCIAL PROJECT ID	
		RYAN K. BELL, P.E. 60010		LEE COUNTY		7
		JOHNSON ENGINEERING INC. 2122 JOHNSON STREET FORT WALTERS, FL 32001		COUNTY		
				LEE		

TYPICAL SECTIONS

THE OFFICIAL RECORD OF THIS SHEET IS THE ELECTRONIC FILE DIGITALLY SIGNED AND SEALED UNDER RULE 61G15-23.004, F.A.C.

QUANTITY	STR. NO.	STATION	SIDE	DESCRIPTION	BARRELS	STORM DRAIN OPTIONAL MATERIAL										CURB INLETS				DITCH BOTTOM INLETS						MANHOLES				MITERED END SECTIONS			ENDWAL L		CLASS 1 CONC.		NOTES		
						ROUND					ELLIP.					<10'		>10'		<10'						>10				EA		CY							
						18"	24"	30"	36"	42"	48"	54"	60"	14"X23"	P-1	P-2	J-2	P-1	P-1	C	D	E	H	P-7	J-7	>10	J-7	EA	CY										
P	S-128A	254+01.84	RT	MANHOLE, PIPE	1					342												1																	
F	S-129	257+46.84	LT	INLET, PIPE	1																																		
P	S-130	257+46.84	RT	INLET, PIPE	1					342																													
F	S-130A	260+81.84	RT	MANHOLE, PIPE	1					332																													
P	S-131	264+16.84	LT	INLET, PIPE	1					109																													
F	S-132	264+16.84	RT	INLET, PIPE	1					332																													
P	S-133	265+85.00	LT	INLET, PIPE	1					109																													
F	S-134	265+85.00	RT	INLET, PIPE	1					165																													
P	S-135	267+52.00	LT	INLET, PIPE	1					109																													
F	S-136	267+52.00	RT	INLET, PIPE	1					163																													
P	S-137	270+71.00	RT	INLET, PIPE	1					109																													
F	S-138	270+71.00	LT	INLET, PIPE	1					148																													
P	S-139	272+22.00	RT	INLET, PIPE	1					109																													
F	S-140	272+22.00	LT	INLET, PIPE	1					147																													
P	S-141	273+72.50	RT	INLET, PIPE	1					109																													
F	S-142	273+72.50	LT	INLET, PIPE	1					641																													
P	S-143	280+22.50	RT	INLET, PIPE	1					109																													
F	S-144	280+22.50	LT	INLET, PIPE	1					14																													
P	S-145	280+22.50	LT	MES	1																																		
F	S-146	286+72.50	RT	INLET, PIPE	1					128																													
P	S-147	286+72.50	LT	INLET, PIPE	1					17																													
F	S-148	286+70.71	LT	MES	1																																		
P	S-149	293+22.50	RT	INLET, PIPE	1					193																													
F	S-150	293+22.50	LT	INLET, PIPE	1					18																													
P	S-151	293+20.76	LT	MES	1																																		
F	S-152	300+02.50	RT	INLET, PIPE	1					156																													
P	S-153	300+02.50	LT	INLET, PIPE	1					18																													
F	S-154	300+05.20	LT	MES	1																																		
P	S-155	307+22.50	RT	INLET, PIPE	1					120																													
F	PLAN TOTAL					1359	785	655	664	0	684	0	0	0	6	11	4	2	0	0	0	0	0	0	0	0	0	0	0	0	0	0	0	0	0	0	0	0	
SHEET TOTALS -																																							

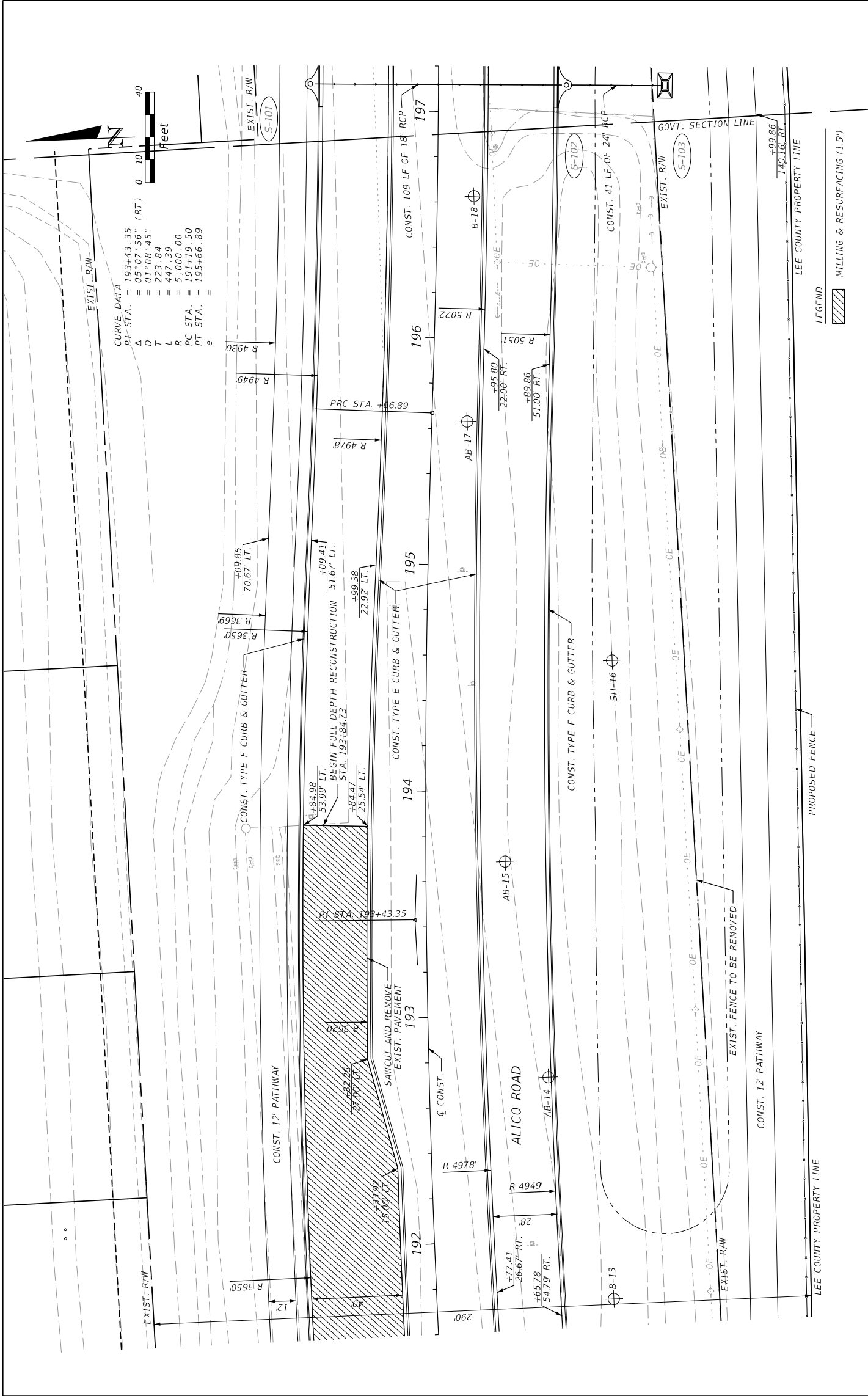
DATE		DESCRIPTION		REVISIONS		ENGINEER OF RECORD		DEPARTMENT OF TRANSPORTATION		SHEET NO.	
						RYAN K. BELL, P.E. 60010 LICENSE NUMBER JOHNSON ENGINEERING INC. 2122 JOHNSON STREET FORT MYERS, FL 33901		LEE COUNTY COUNTY		9	
								LEE		SUMMARY OF DRAINAGE STRUCTURES	



REVISIONS		ENGINEER OF RECORD		DEPARTMENT OF TRANSPORTATION		SHEET NO.
DATE	DESCRIPTION	RYAN K. BELL, P.E. 60010 LICENSE NUMBER JOHNSON ENGINEERING 2122 JOHNSON STREET FORT MYERS, FL 33901	LEE COUNTY COUNTY	LEE COUNTY PROJECT ID	LEE	
						12

PLAN SHEETS

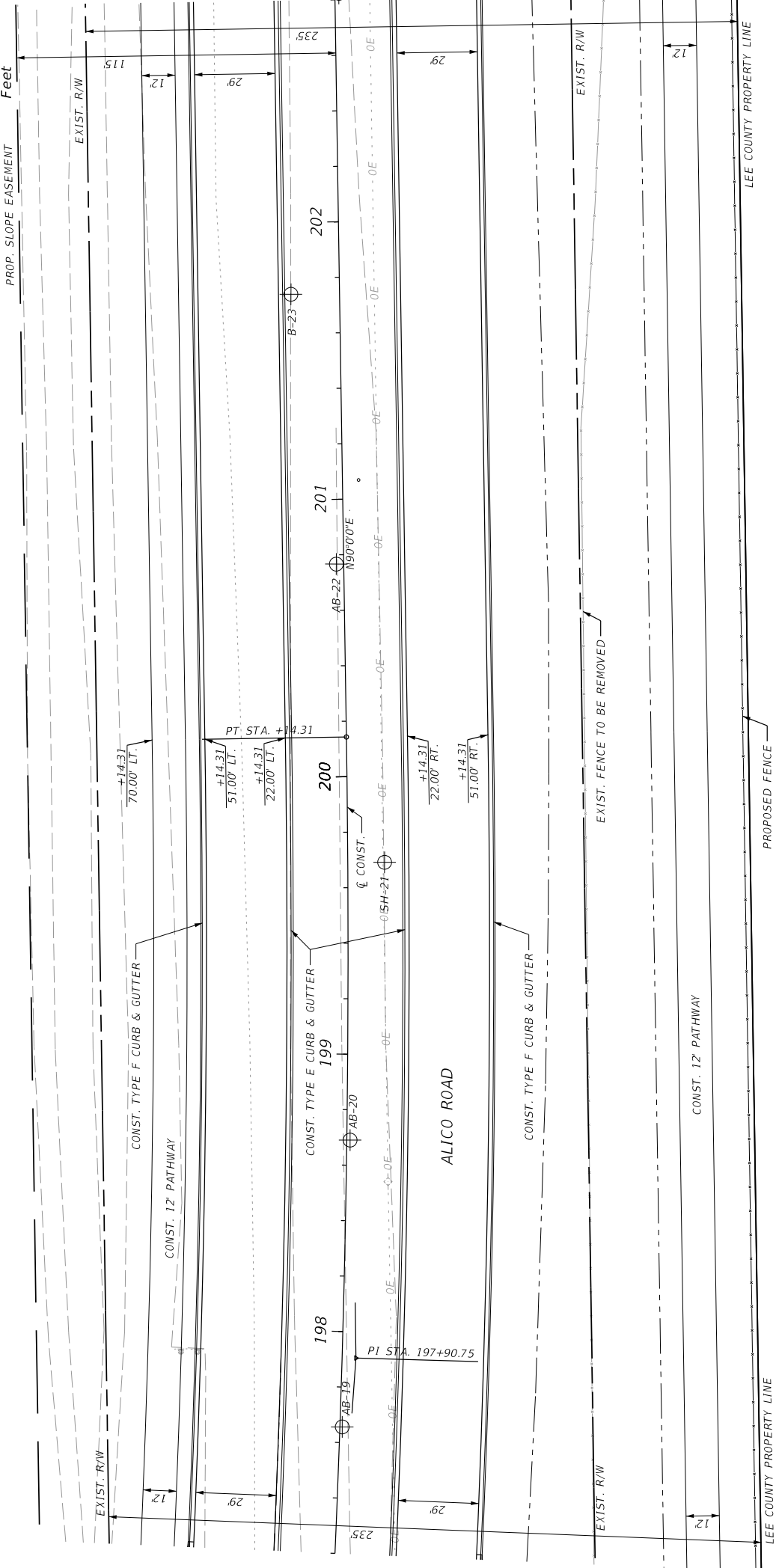
LEGEND
 MILLING & RESURFACING (1.5')



DEPARTMENT OF TRANSPORTATION ROAD NO. COUNTY FINANCIAL PROJECT ID LEE COUNTY LEE		ENGINEER OF RECORD RYAN K. BELL, P.E. #0010 LICENSE NUMBER 60010 JOHNSON ENGINEERING INC. 2122 JOHNSON STREET FORT WALTERS, FL 32061	
LEE COUNTY DEPARTMENT OF TRANSPORTATION ROAD NO. COUNTY FINANCIAL PROJECT ID LEE COUNTY LEE		ENGINEER OF RECORD RYAN K. BELL, P.E. #0010 LICENSE NUMBER 60010 JOHNSON ENGINEERING INC. 2122 JOHNSON STREET FORT WALTERS, FL 32061	
LEE COUNTY DEPARTMENT OF TRANSPORTATION ROAD NO. COUNTY FINANCIAL PROJECT ID LEE COUNTY LEE		ENGINEER OF RECORD RYAN K. BELL, P.E. #0010 LICENSE NUMBER 60010 JOHNSON ENGINEERING INC. 2122 JOHNSON STREET FORT WALTERS, FL 32061	
LEE COUNTY DEPARTMENT OF TRANSPORTATION ROAD NO. COUNTY FINANCIAL PROJECT ID LEE COUNTY LEE		ENGINEER OF RECORD RYAN K. BELL, P.E. #0010 LICENSE NUMBER 60010 JOHNSON ENGINEERING INC. 2122 JOHNSON STREET FORT WALTERS, FL 32061	

PLAN SHEETS

CURVE DATA
 PI STA. = 197+90.75
 Δ = 05°07'37" (LT)
 D = 01°08'45"
 T = 223.86
 L = 447.42
 R = 5,000.00
 PC STA. = 195+66.89
 PT STA. = 200+14.31
 e

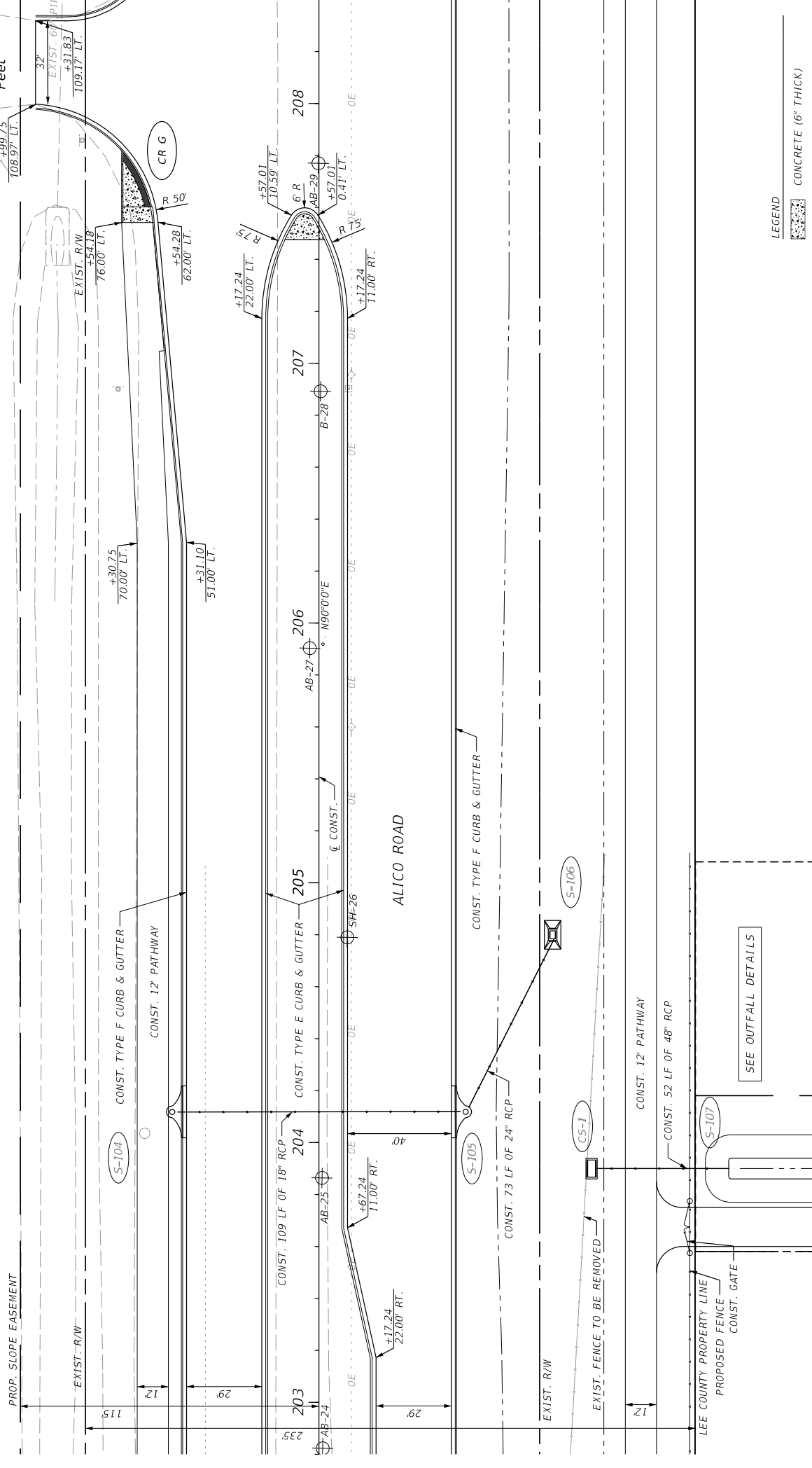
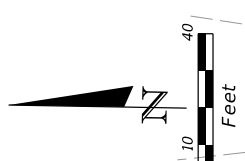


THE OFFICIAL RECORD OF THIS SHEET IS THE ELECTRONIC FILE DIGITALLY SIGNED AND SEALED UNDER RULE 61G15-23.004, F.A.C.

REVISIONS		DESCRIPTION		DATE	

ENGINEER OF RECORD		RYAN K. BELL, P.E. 60010 LOUISIANA BOULEVARD JOHNSON ENGINEERING INC. 2122 JOHNSON STREET FORT WALTERS, FL 33801	
DEPARTMENT OF TRANSPORTATION		LEE COUNTY	
ROAD NO.	COUNTY	FINANCIAL PROJECT ID	LEE

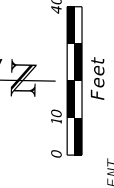
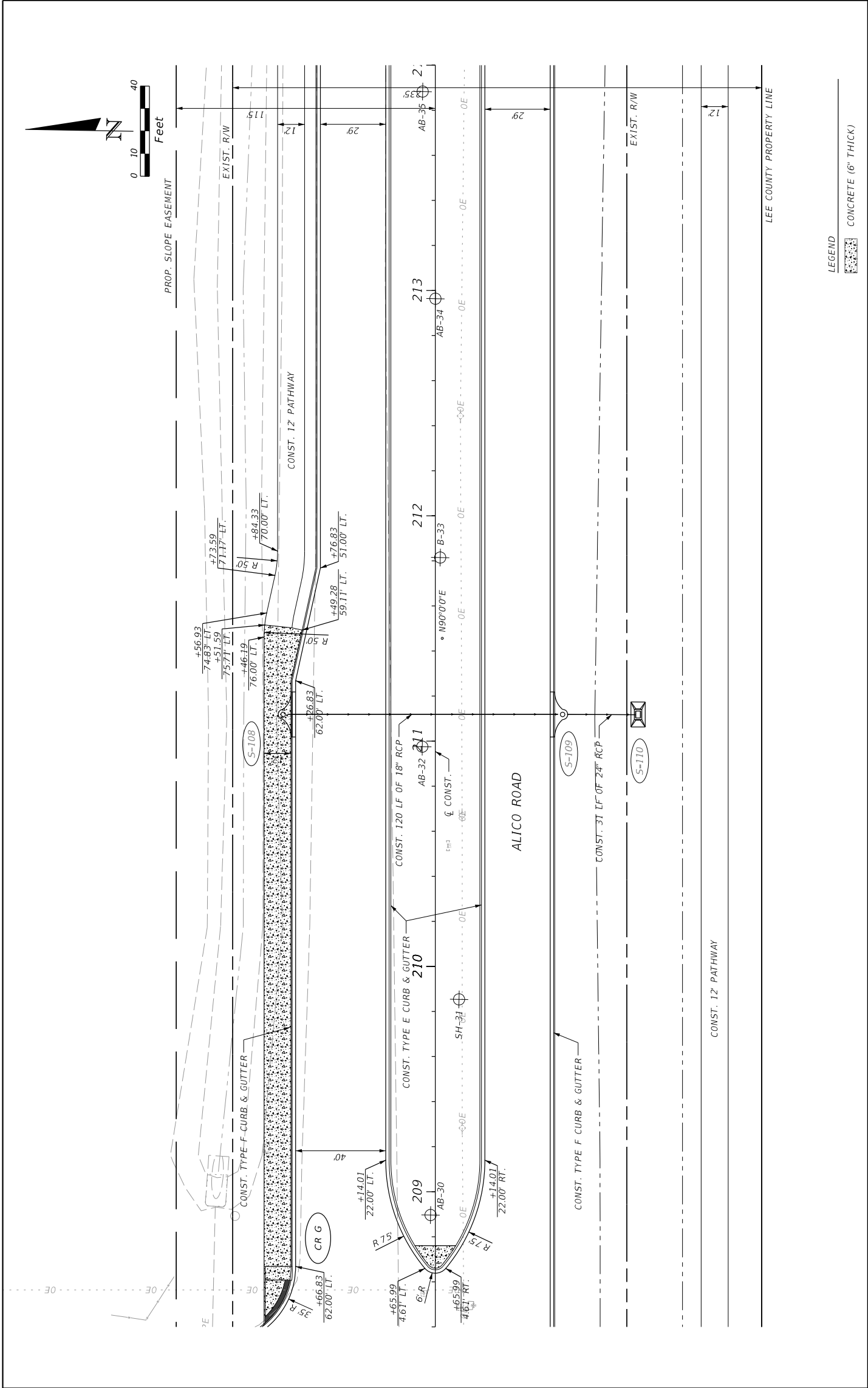
PLAN SHEETS		SHEET NO.	14
-------------	--	-----------	----



LEGEND
 CONCRETE (6" THICK)

REVISIONS		DESCRIPTION	DATE	ENGINEER OF RECORD	DEPARTMENT OF TRANSPORTATION		SHEET NO.
DATE	DESCRIPTION				ROAD NO.	COUNTY	
				RYAN K. BELL, P.E. 60010 LICENSE NUMBER JOHNSON ENGINEERING INC. 2122 JOHNSON STREET FORT MYERS, FL 33901	LEE		15
					LEE COUNTY		
					ALIC0 ROAD		

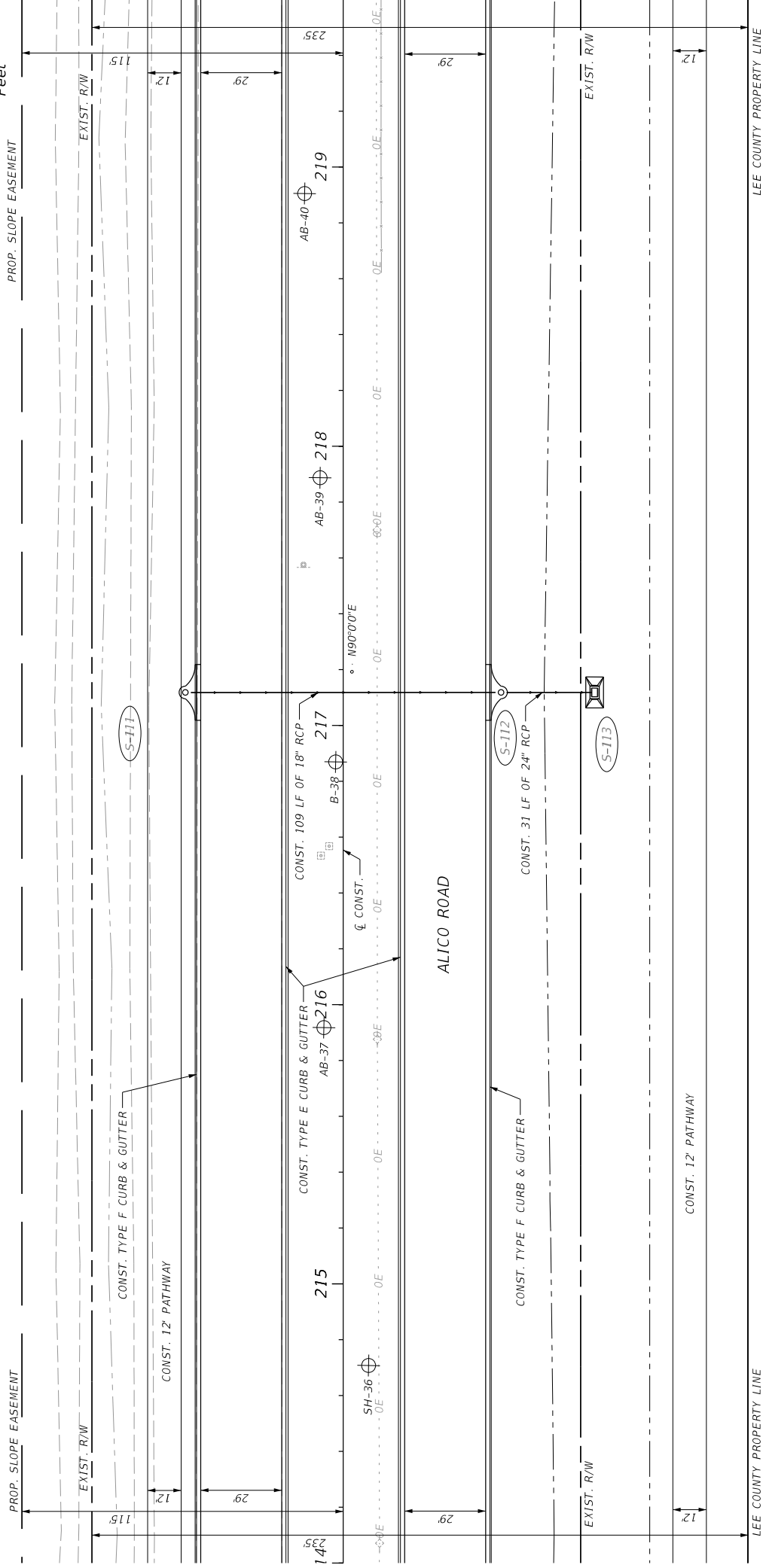
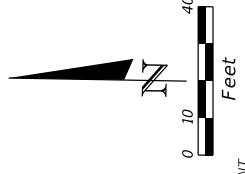
PLAN SHEETS



LEGEND
 CONCRETE (6" THICK)

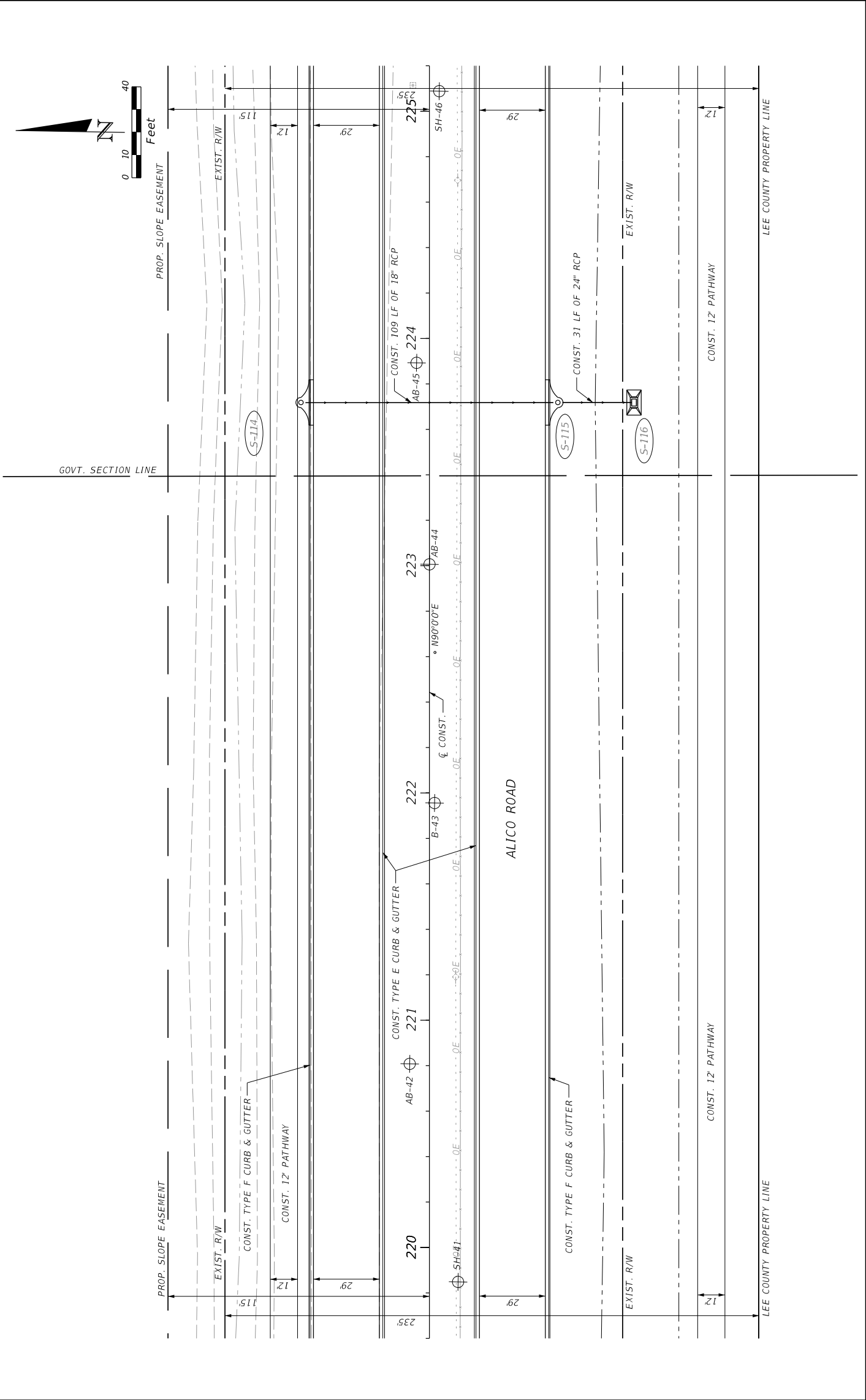
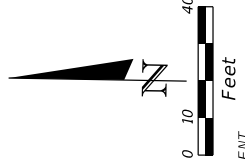
REVISIONS		ENGINEER OF RECORD		DEPARTMENT OF TRANSPORTATION		SHEET NO.
DATE	DESCRIPTION	DATE	DESCRIPTION	ROAD NO.	FINANCIAL PROJECT ID	
			RYAN K. BELL, P.E. 60010 LICENSE NUMBER JOHNSON ENGINEERING INC. 2122 JOHNSON STREET FORT MYERS, FL 33901	LEE COUNTY		16
				COUNTY	LEE	

PLAN SHEETS



REVISIONS		ENGINEER OF RECORD		DEPARTMENT OF TRANSPORTATION		SHEET NO.
DATE	DESCRIPTION	DATE	DESCRIPTION	ROAD NO.	FINANCIAL PROJECT ID	
			RYAN K. BELL, P.E. LICENSE NUMBER 60010 JOHNSON ENGINEERING INC. 2122 JOHNSON STREET FORT WALTERS, FL 33801	LEE COUNTY		17
				COUNTY	LEE	
				COUNTY	LEE	

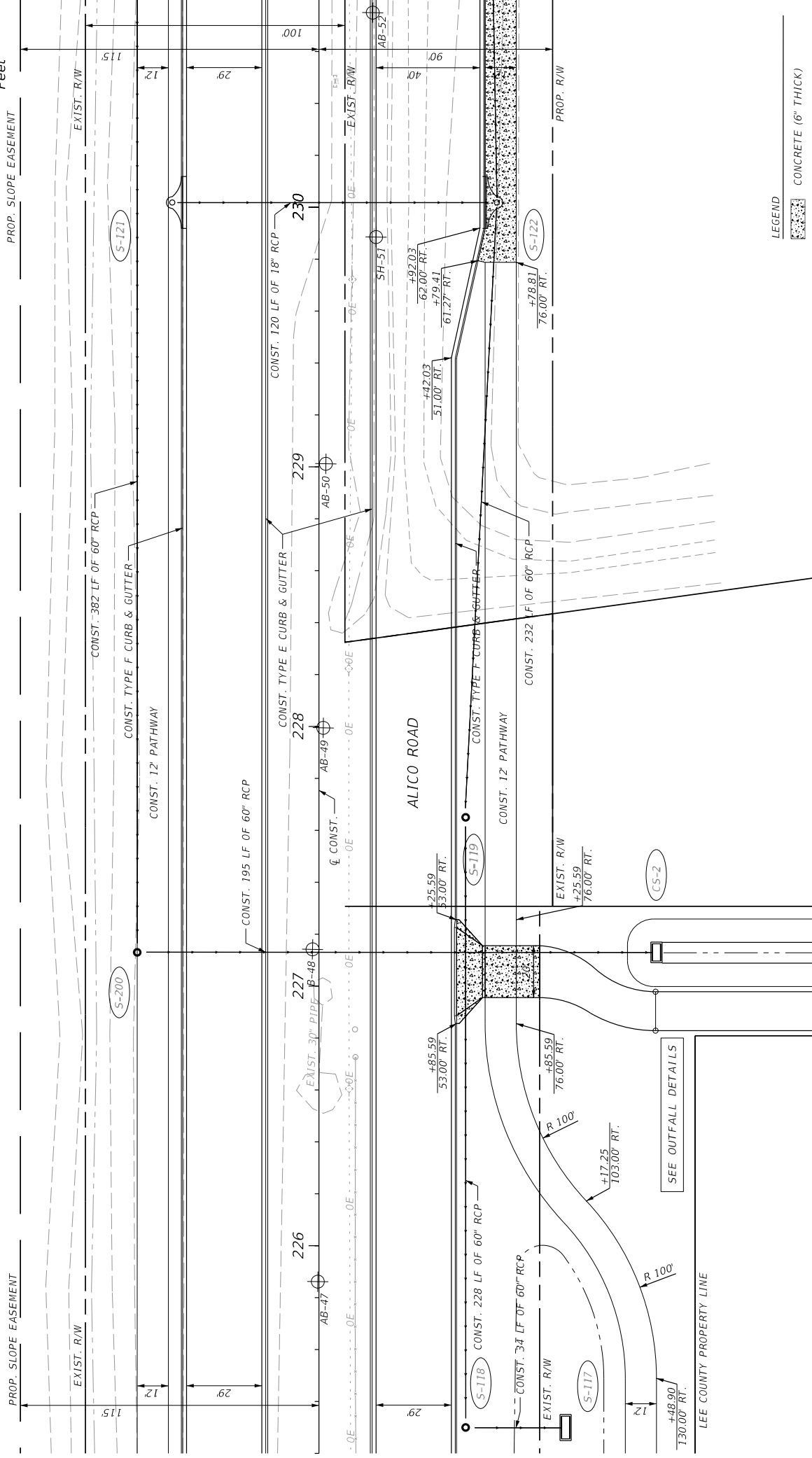
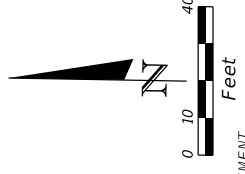
PLAN SHEETS



REVISIONS		DESCRIPTION	
DATE	DESCRIPTION	DATE	DESCRIPTION

ENGINEER OF RECORD		LEE COUNTY	
RYAN K. BELL, P.E. 60010		DEPARTMENT OF TRANSPORTATION	
LORNESE RUMBLE, P.E. 60010		ROAD NO.	
JOHNSON ENGINEERING INC.		COUNTY	
2122 JOHNSON STREET		LEE	
FORT WALTERS, FL 33901		FINANCIAL PROJECT ID	

PLAN SHEETS		SHEET NO.
		18



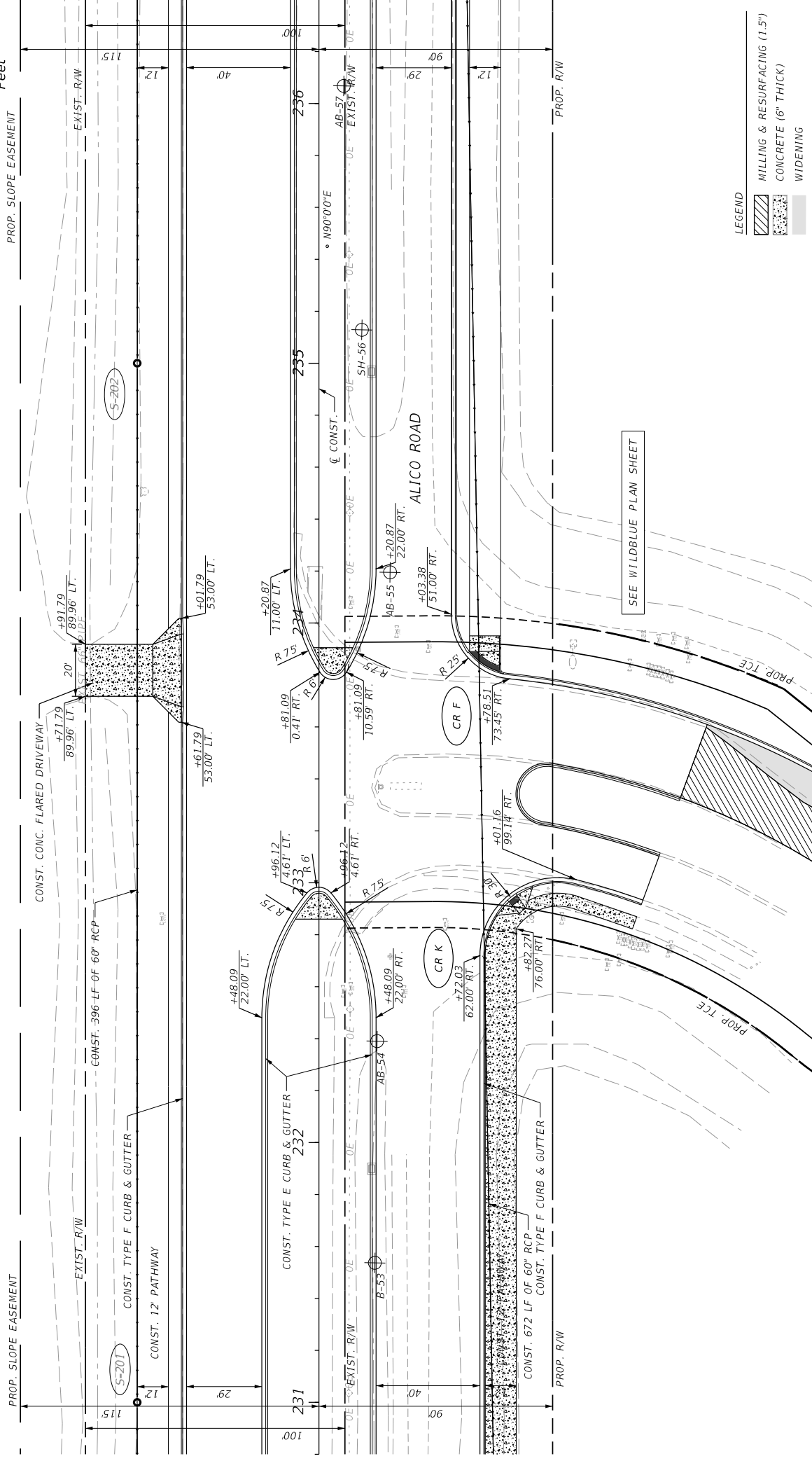
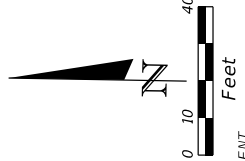
LEGEND
 CONCRETE (6" THICK)

REVISIONS		DESCRIPTION		DATE	

ENGINEER OF RECORD		LEE COUNTY	
RYAN K. BELL, P.E. 60010 LICENSE NUMBER 60010 JOHNSON ENGINEERING INC. 2122 JOHNSON STREET FORT MYERS, FL 33901		DEPARTMENT OF TRANSPORTATION	
		FINANCIAL PROJECT ID	
		COUNTY	
		LEE	

SHEET NO.	
19	

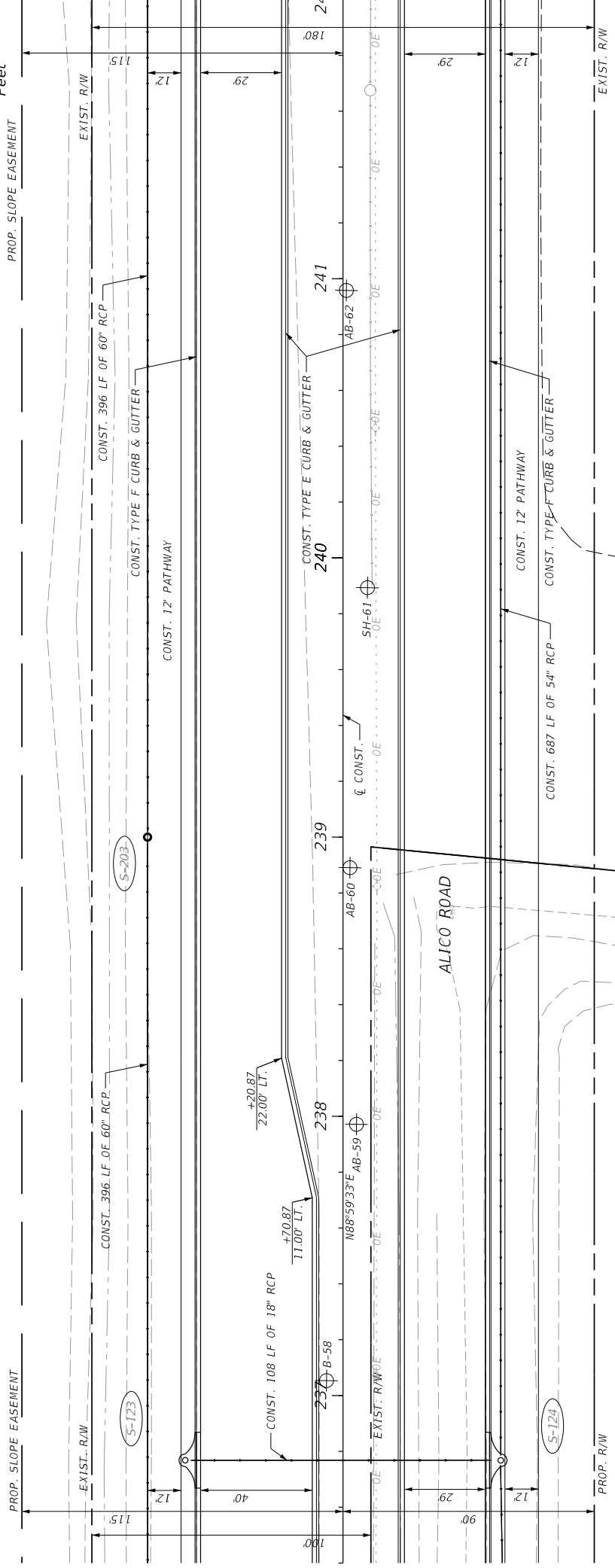
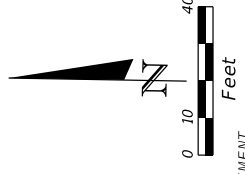
PLAN SHEETS



LEGEND

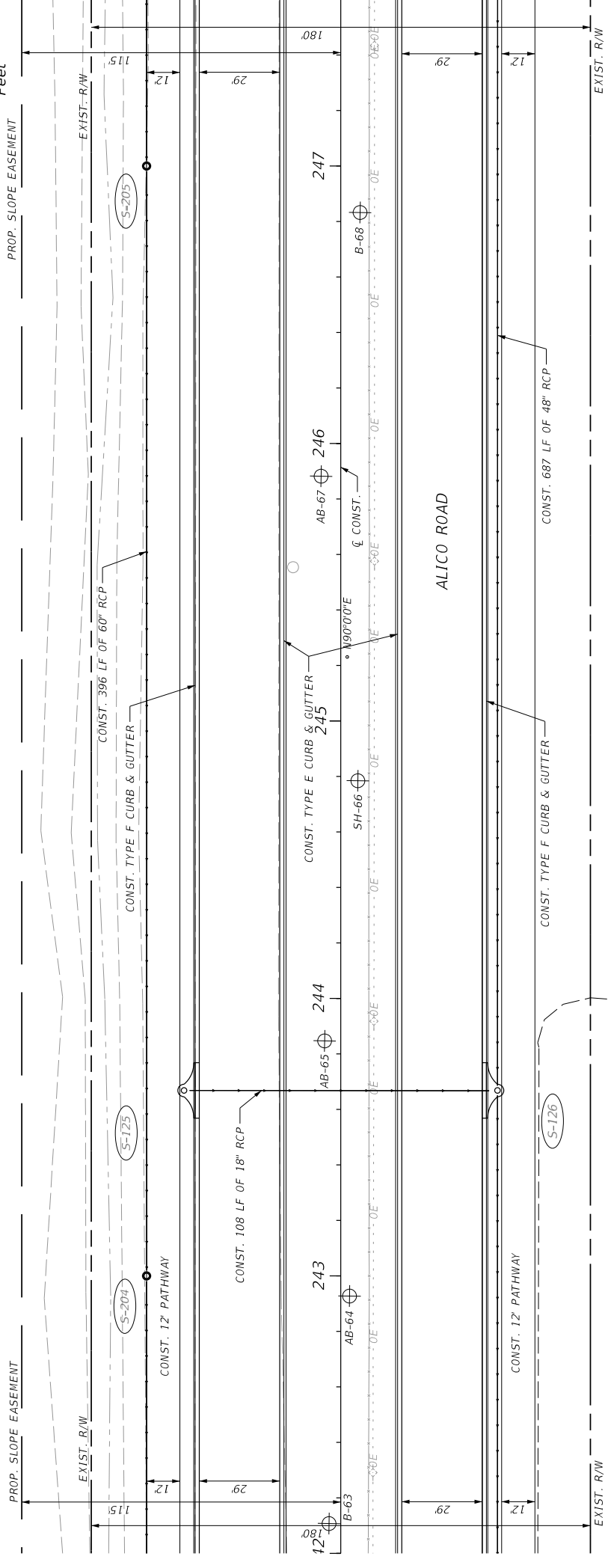
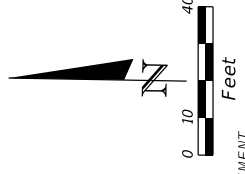
	MILLING & RESURFACING (1.5")
	CONCRETE (6" THICK)
	WIDENING

REVISIONS		DESCRIPTION	DATE	ENGINEER OF RECORD	DEPARTMENT OF TRANSPORTATION	SHEET NO.
DATE	DESCRIPTION					
				RYAN K. BELL, P.E. 60010 LICENSE NUMBER JOHNSON ENGINEERING INC. 2122 JOHNSON STREET FORT MYERS, FL 33901	LEE COUNTY COUNTY LEE	20
PLAN SHEETS						



REVISIONS		ENGINEER OF RECORD		DEPARTMENT OF TRANSPORTATION		SHEET NO.	
DATE	DESCRIPTION	DATE	DESCRIPTION	ROAD NO.	COUNTY	FINANCIAL PROJECT ID	
			RYAN K. BELL, P.E. 60010 LICENSE NUMBER JOHNSON ENGINEERING INC. 2122 JOHNSON STREET FORT MYERS, FL 33901		LEE		21
					LEE		

PLAN SHEETS



REVISIONS		ENGINEER OF RECORD		DEPARTMENT OF TRANSPORTATION		SHEET NO.
DATE	DESCRIPTION	DATE	DESCRIPTION	ROAD NO.	FINANCIAL PROJECT ID	
						22

PLAN SHEETS

LEE COUNTY

COUNTY

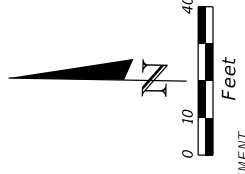
LEE

RYAN K. BELL, P.E.

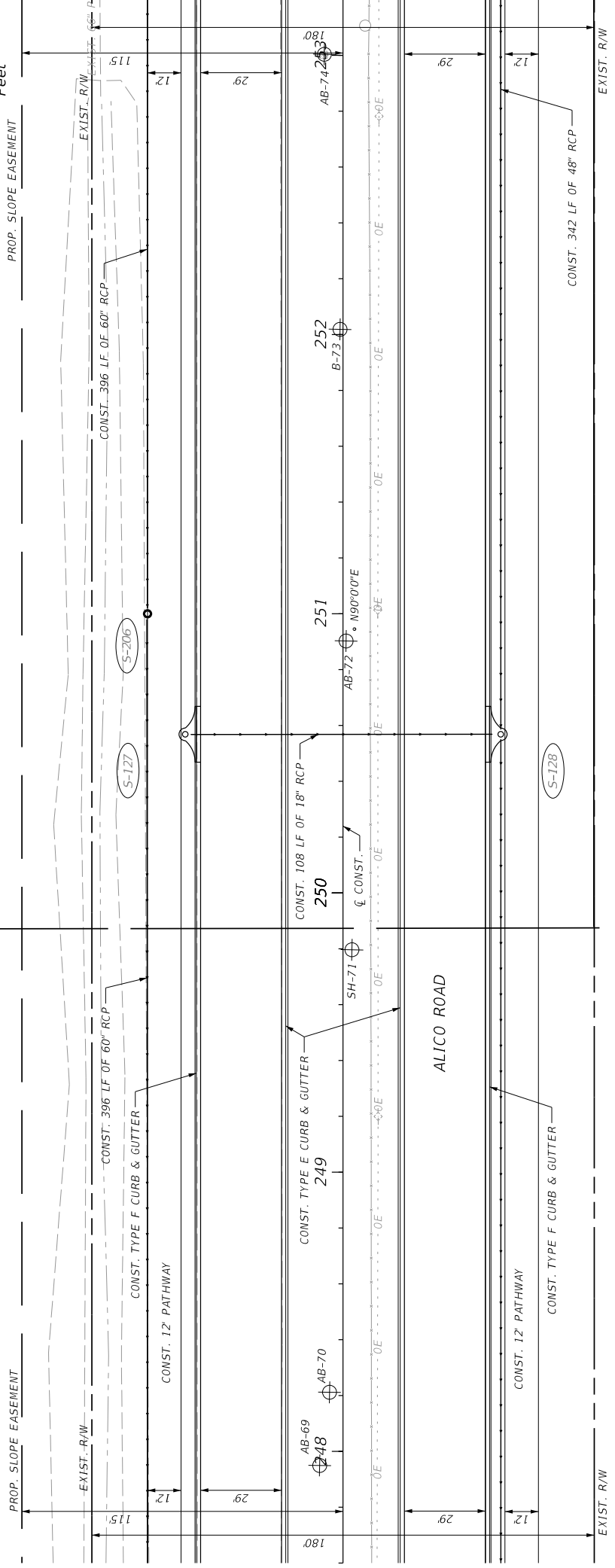
LICENSE NUMBER: 60010

JOHNSON ENGINEERING INC.

2122 JOHNSON STREET
FORT WALTERS, FL 32061



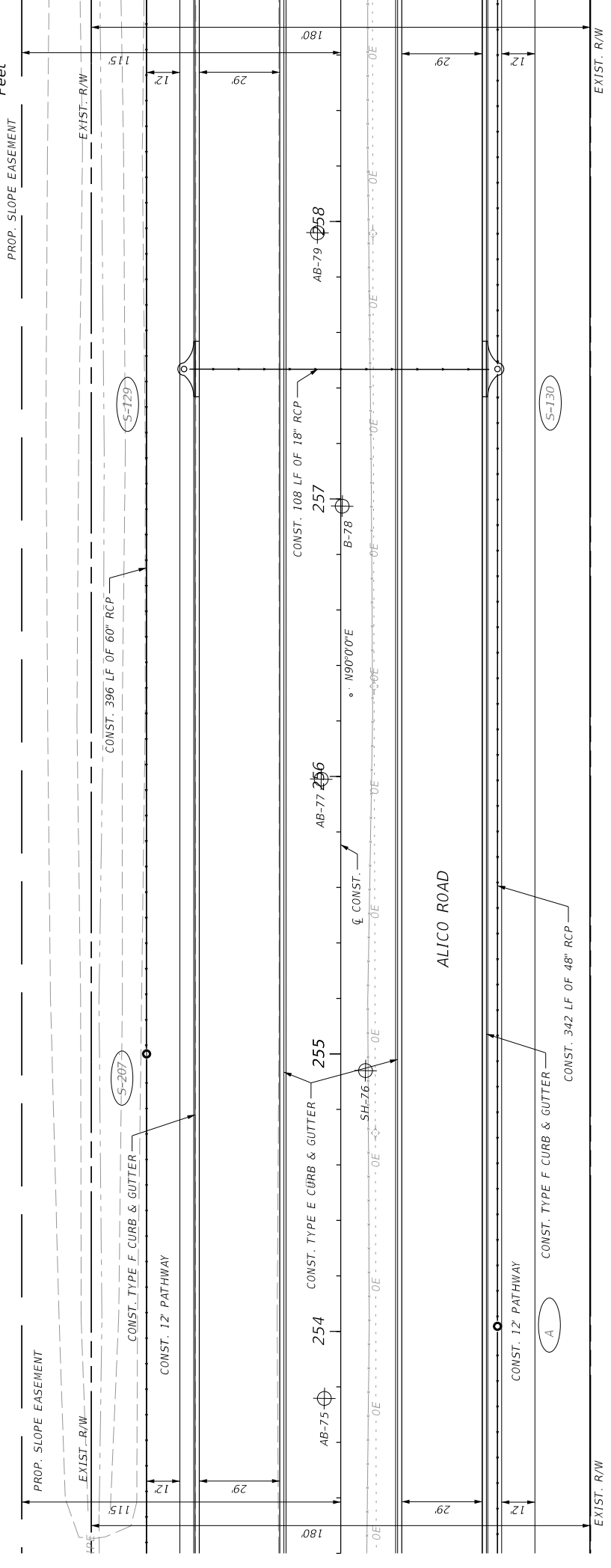
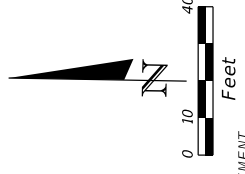
GOVT. SECTION LINE



REVISIONS		DESCRIPTION	
DATE	DESCRIPTION	DATE	DESCRIPTION

ENGINEER OF RECORD		LEE COUNTY	
RYAN K. BELL, P.E. 60010 LORENSE, KUMBERG & ASSOCIATES, INC. 2122 JOHNSON STREET FORT WALTERS, FL 33901		DEPARTMENT OF TRANSPORTATION	
		ROAD NO.	COUNTY
			LEE
		FINANCIAL PROJECT ID	

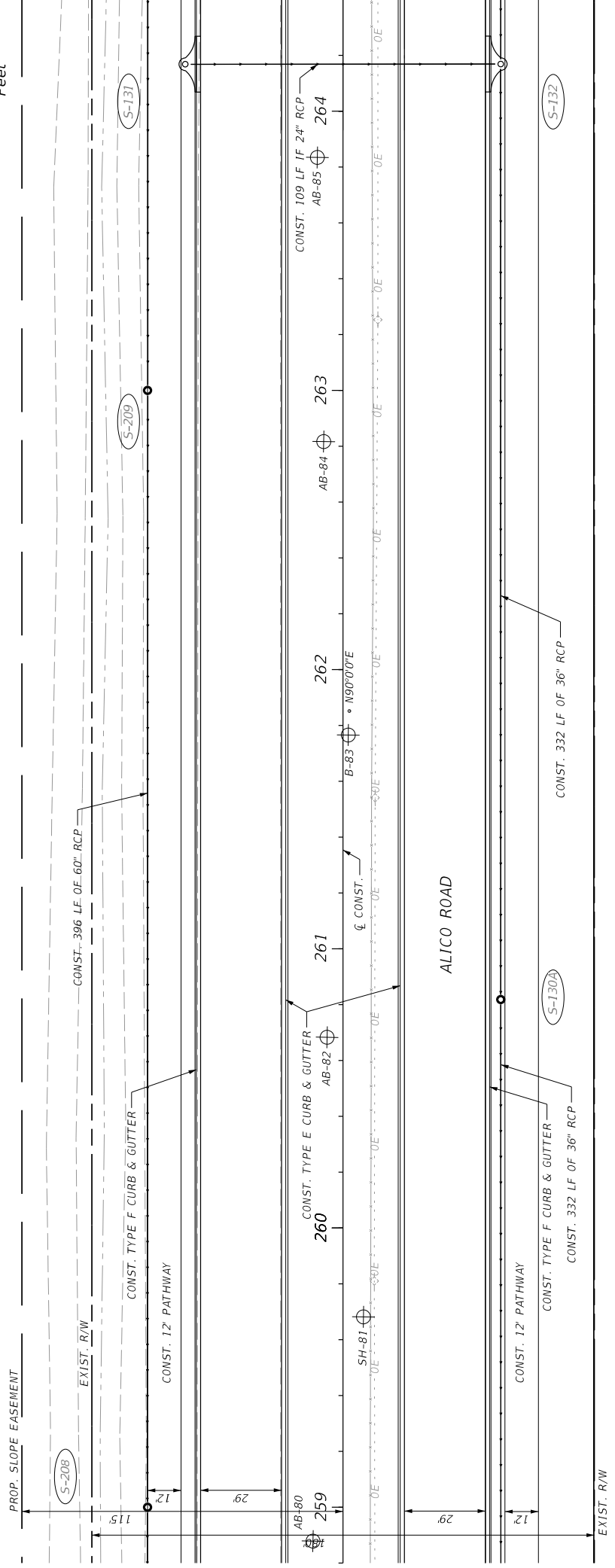
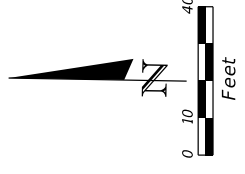
PLAN SHEETS		SHEET NO.
		23



REVISIONS		ENGINEER OF RECORD		DEPARTMENT OF TRANSPORTATION		SHEET NO.
DATE	DESCRIPTION	DATE	DESCRIPTION	ROAD NO.	FINANCIAL PROJECT ID	
			RYAN K. BELL, P.E. 60010 LICENSE NUMBER JOHNSON ENGINEERING INC. 2122 JOHNSON STREET FORT MYERS, FL 33901	LEE COUNTY		24
				COUNTY	LEE	

PLAN SHEETS

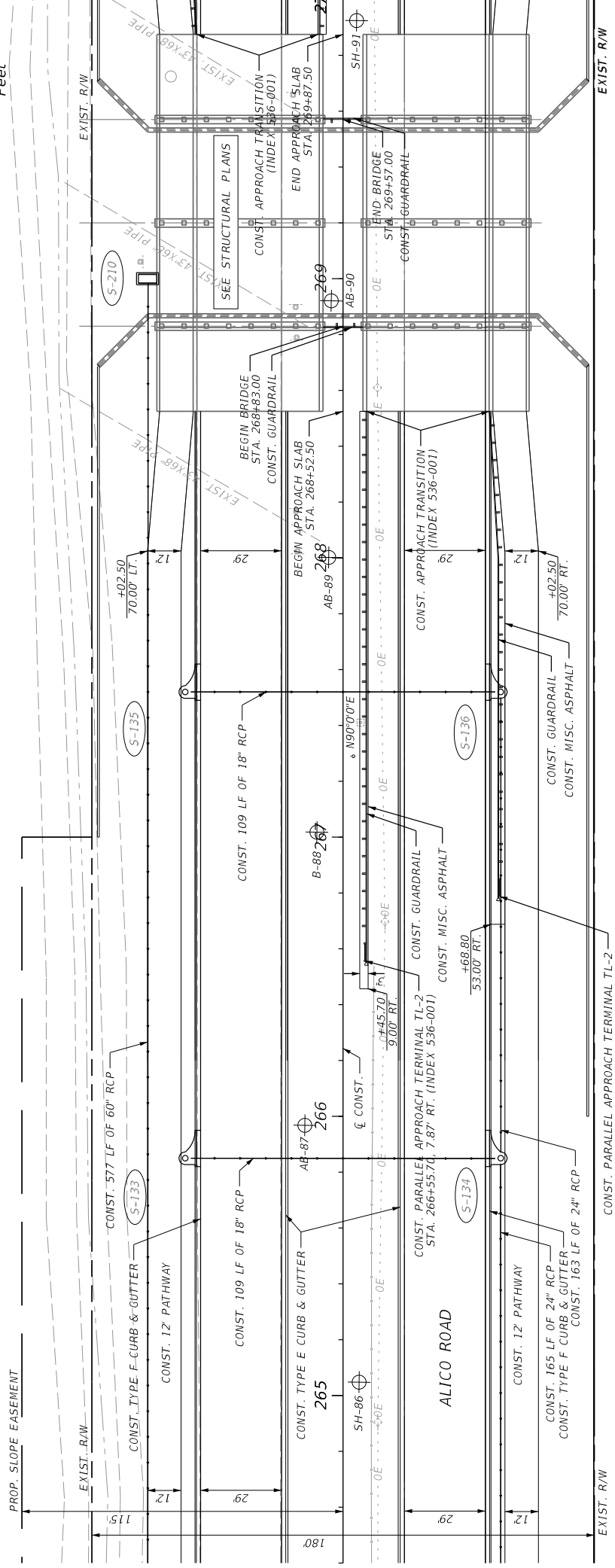
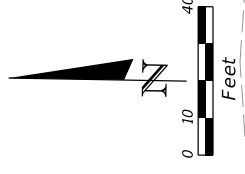
ALICO ROAD



REVISIONS		DESCRIPTION		DATE	

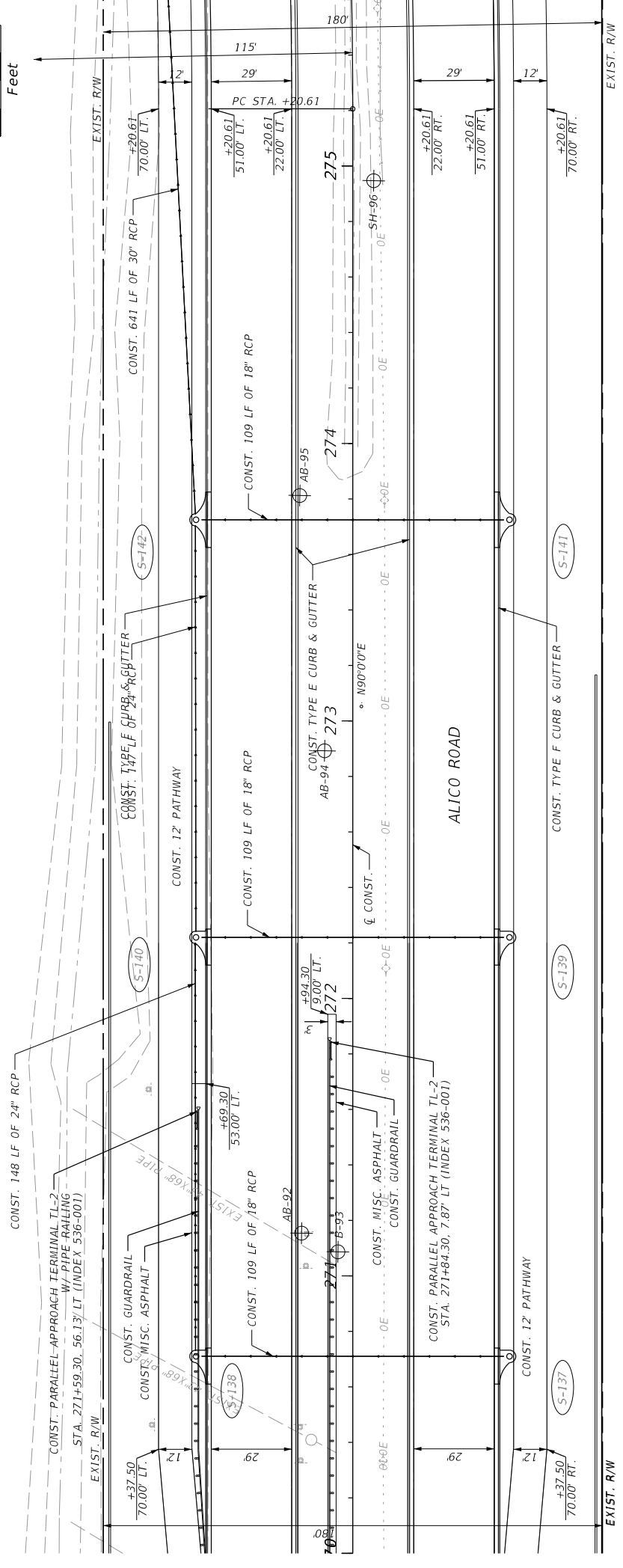
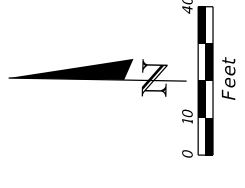
ENGINEER OF RECORD		RYAN K. BELL, P.E. 60010 LICENSE NUMBER JOHNSON ENGINEERING INC. 2122 JOHNSON STREET FORT MYERS, FL 33901	
DEPARTMENT OF TRANSPORTATION		LEE COUNTY	
ROAD NO.	COUNTY	FINANCIAL PROJECT ID	
	LEE		

PLAN SHEETS		SHEET NO.
		25



REVISIONS		DESCRIPTION	DATE	ENGINEER OF RECORD	DEPARTMENT OF TRANSPORTATION		SHEET NO.
DATE	DESCRIPTION				ROAD NO.	FINANCIAL PROJECT ID	
				RYAN K. BELL, P.E. 60010 LICENSE NUMBER JOHNSON ENGINEERING INC. 2122 JOHNSON STREET FORT MYERS, FL 33901	LEE COUNTY		26
					COUNTY	LEE	

PLAN SHEETS

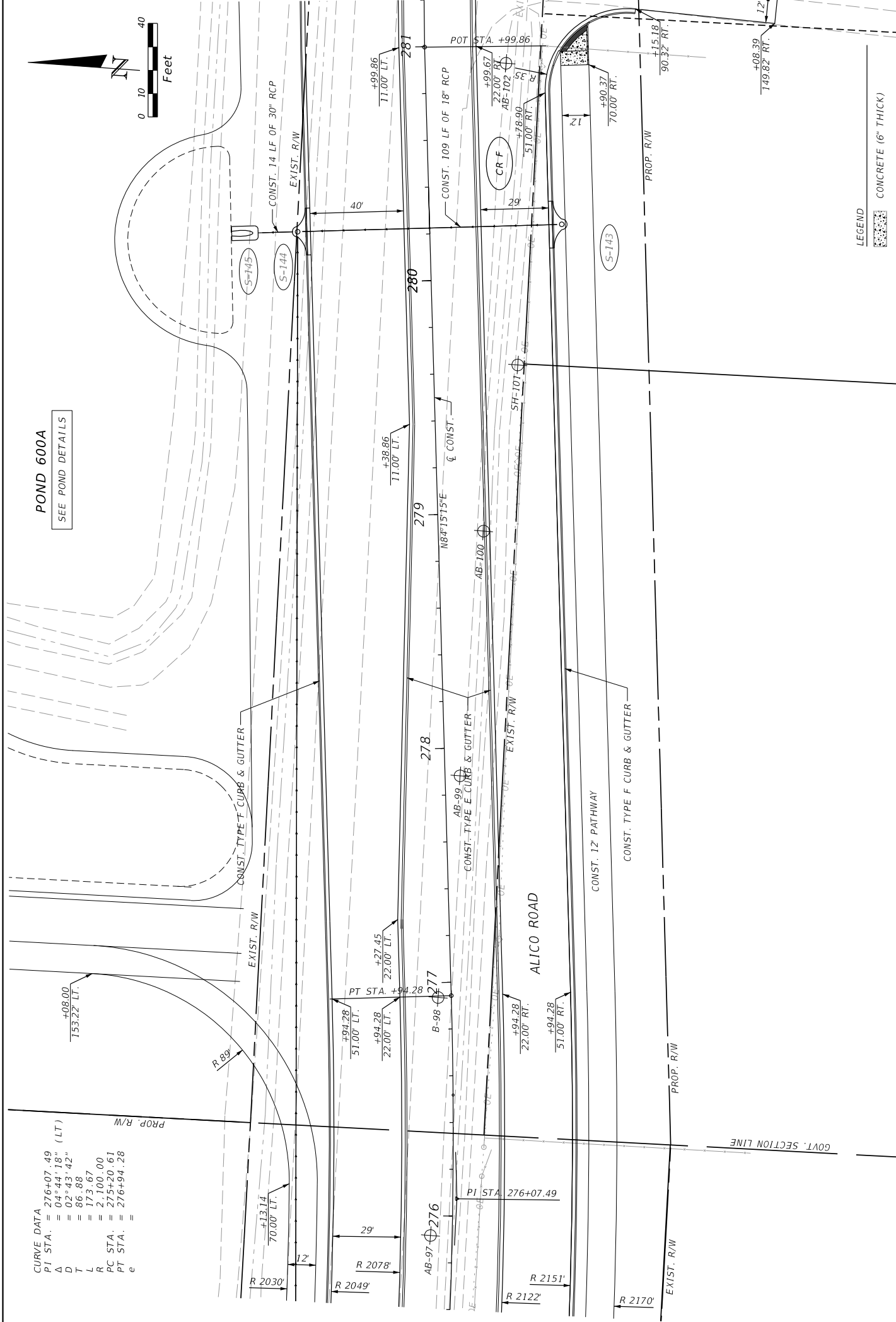
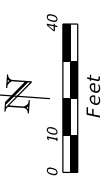


REVISIONS		ENGINEER OF RECORD		DEPARTMENT OF TRANSPORTATION		SHEET NO.
DATE	DESCRIPTION	DATE	DESCRIPTION	ROAD NO.	FINANCIAL PROJECT ID	
			RYAN K. BELL, P.E. 60010 LICENSE NUMBER JOHNSON ENGINEERING INC. 2122 JOHNSON STREET FORT WALTERS, FL 33801	LEE COUNTY		27
				COUNTY	LEE	

PLAN SHEETS

CURVE DATA
 PI STA. = 276+07.49
 Δ = 04° 44' 18" (LT)
 D = 02° 43' 42"
 T = 86.68
 L = 173.67
 R = 2,100.00
 PC STA. = 275+20.61
 PT STA. = 276+94.28
 e

POND 600A
 SEE POND DETAILS



LEGEND
 CONCRETE (6" THICK)

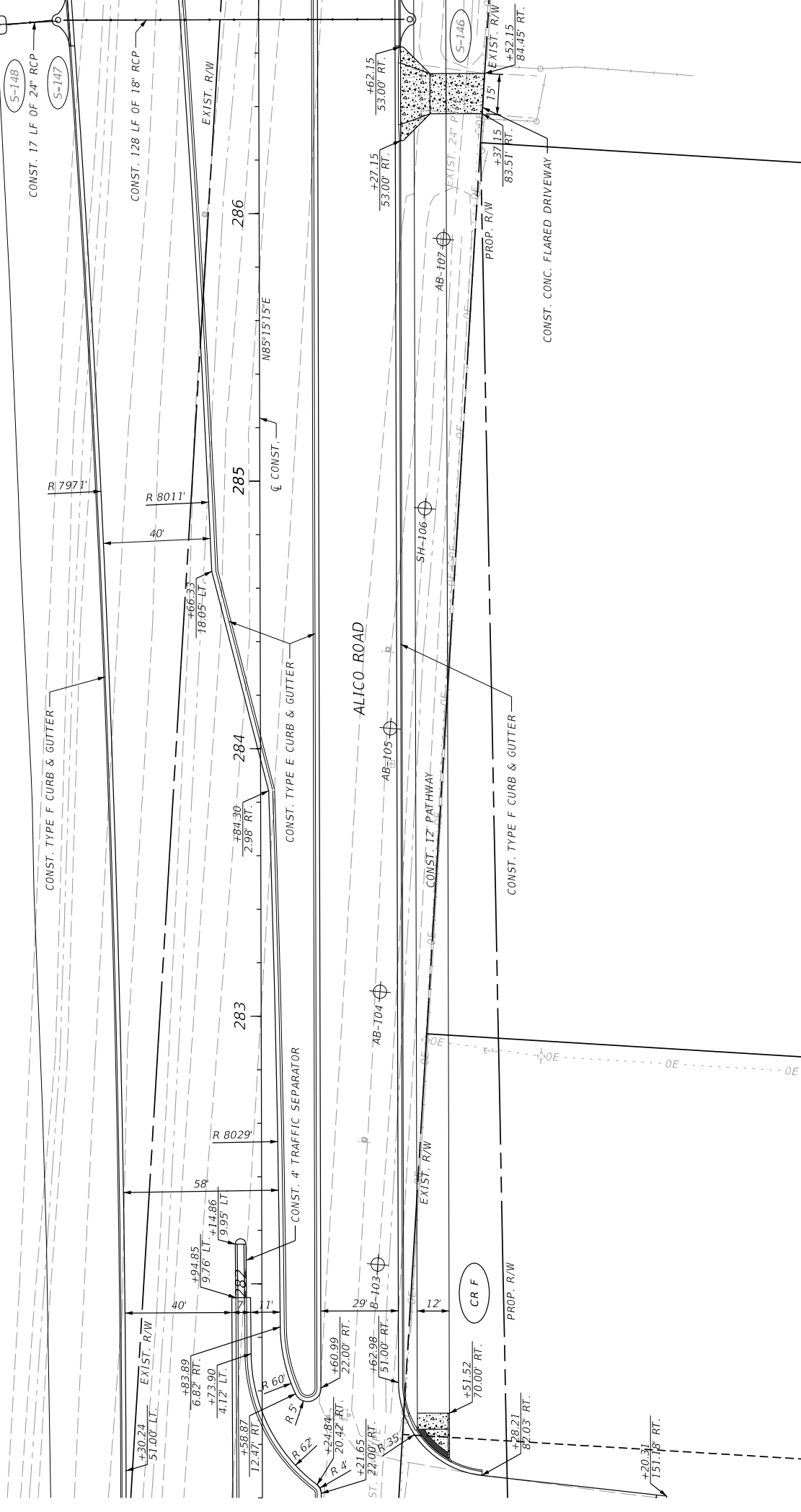
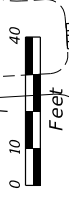
REVISIONS		DESCRIPTION		DATE	

ENGINEER OF RECORD		LEE COUNTY	
RYAN K. BELL, P.E. 60010 LICENSE NUMBER JOHNSON ENGINEERING INC. 2122 JOHNSON STREET FORT WALTERS, FL 33901		DEPARTMENT OF TRANSPORTATION	
ROAD NO.	COUNTY	FINANCIAL PROJECT ID	
	LEE		

SHEET NO.	28
-----------	----

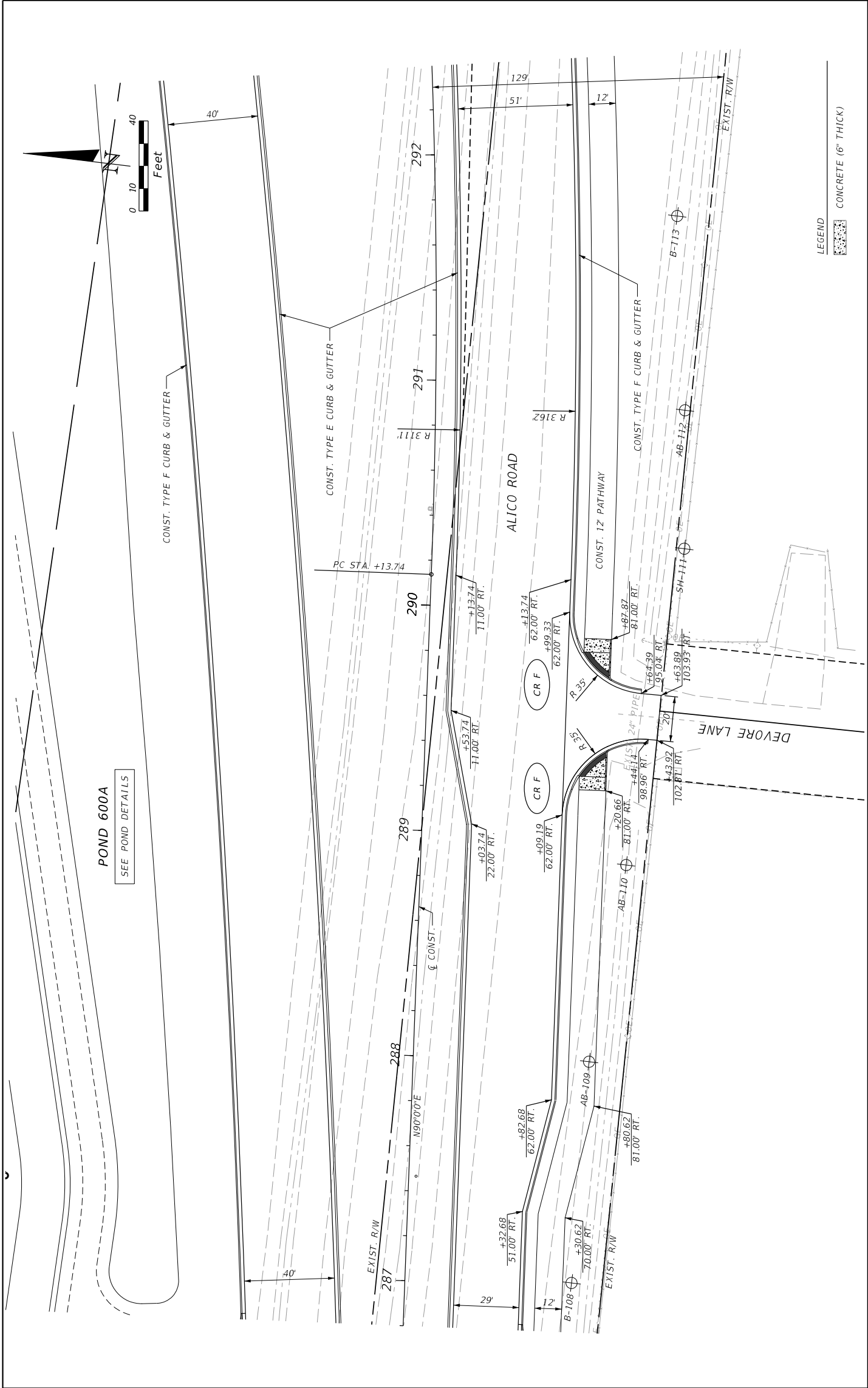
PLAN SHEETS

POND 600A
SEE POND DETAILS

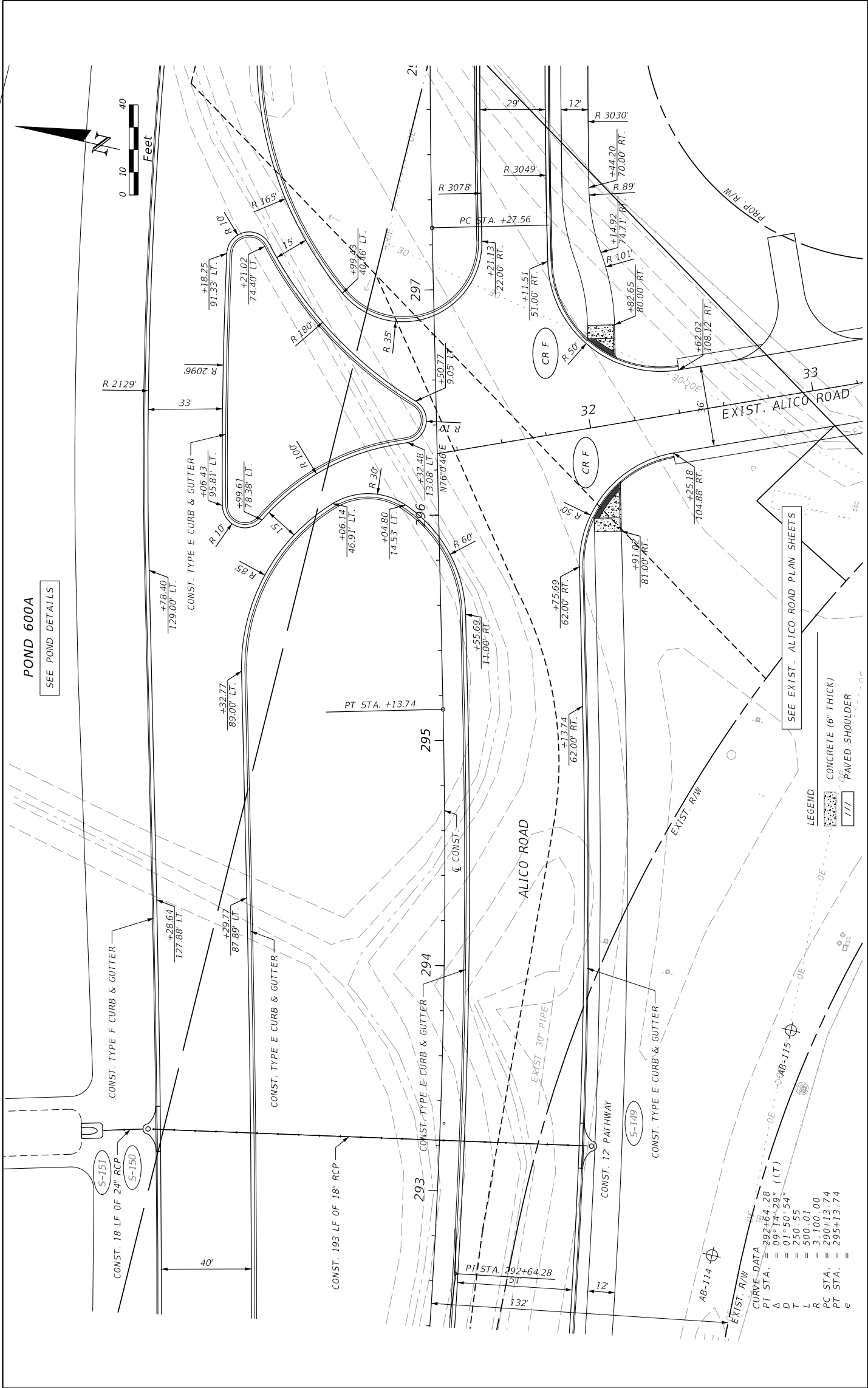


THE OFFICIAL RECORD OF THIS SHEET IS THE ELECTRONIC FILE DIGITALLY SIGNED AND SEALED UNDER RULE 61G15-23.004, F.A.C.

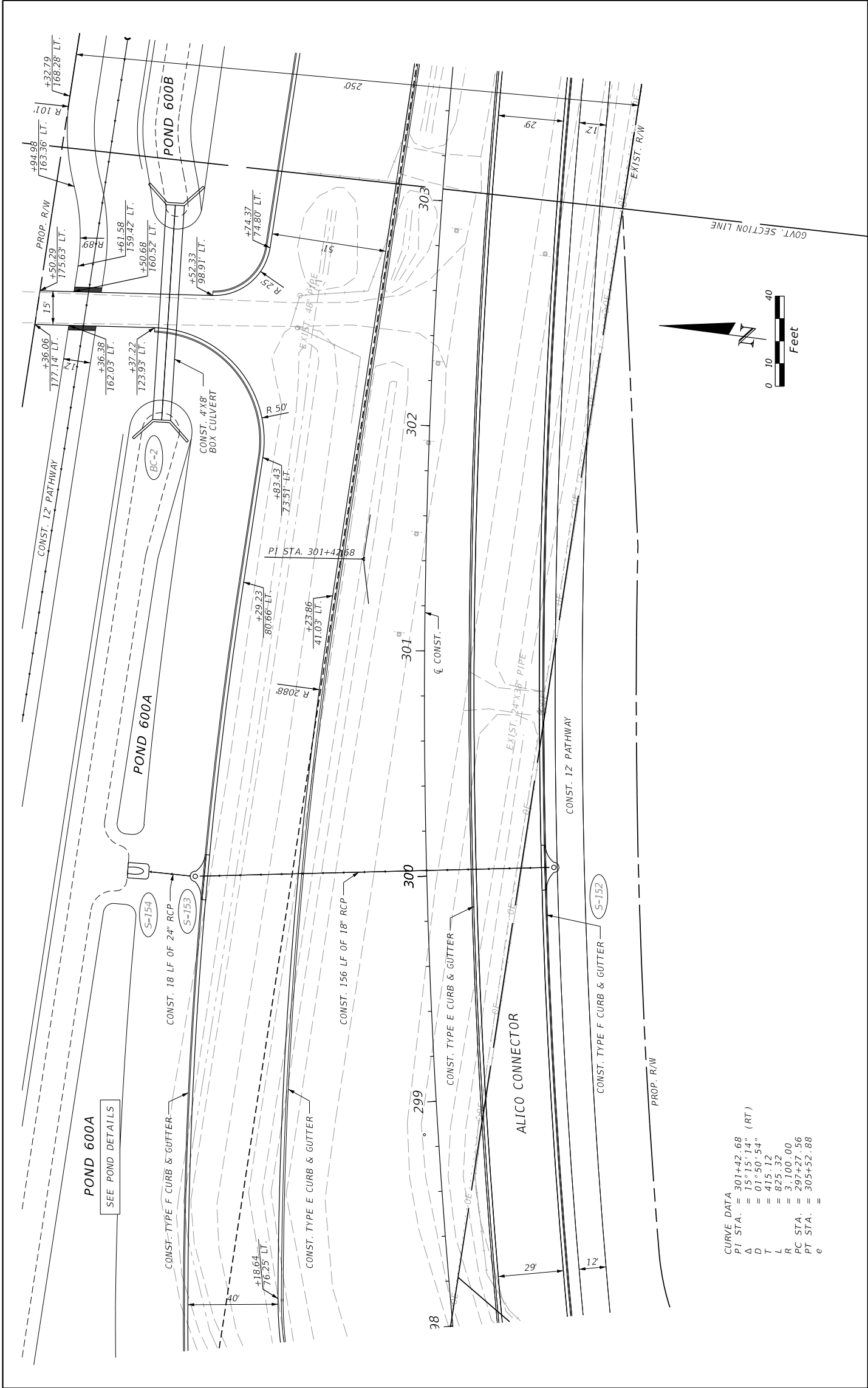
REVISIONS		DESCRIPTION	DATE	DESCRIPTION	ENGINEER OF RECORD	DEPARTMENT OF TRANSPORTATION		SHEET NO.
DATE	DESCRIPTION					ROAD NO.	FINANCIAL PROJECT ID	
					RYAN K. BELL, P.E. 60010 JOHNSE, KUMBELE & ASSOCIATES, INC. 2122 JOHNSON STREET FORT MYERS, FL 33901	LEE COUNTY		29
						COUNTY	LEE	
								PLAN SHEETS



REVISIONS		ENGINEER OF RECORD		DEPARTMENT OF TRANSPORTATION		SHEET NO.	
DATE	DESCRIPTION	DATE	DESCRIPTION	ROAD NO.	COUNTY	FINANCIAL PROJECT ID	NO.
					LEE		30
		RYAN K. BELL, P.E. 60010 LICENSE NUMBER 60010 JOHNSON ENGINEERING INC. 2122 JOHNSON STREET FORT MYERS, FL 33901		LEE COUNTY COUNTY		PLAN SHEETS	

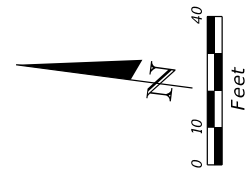


THE OFFICIAL RECORD OF THIS SHEET IS THE ELECTRONIC FILE DIGITALLY SIGNED AND SEALED UNDER RULE 61G15-23.004, F.A.C.

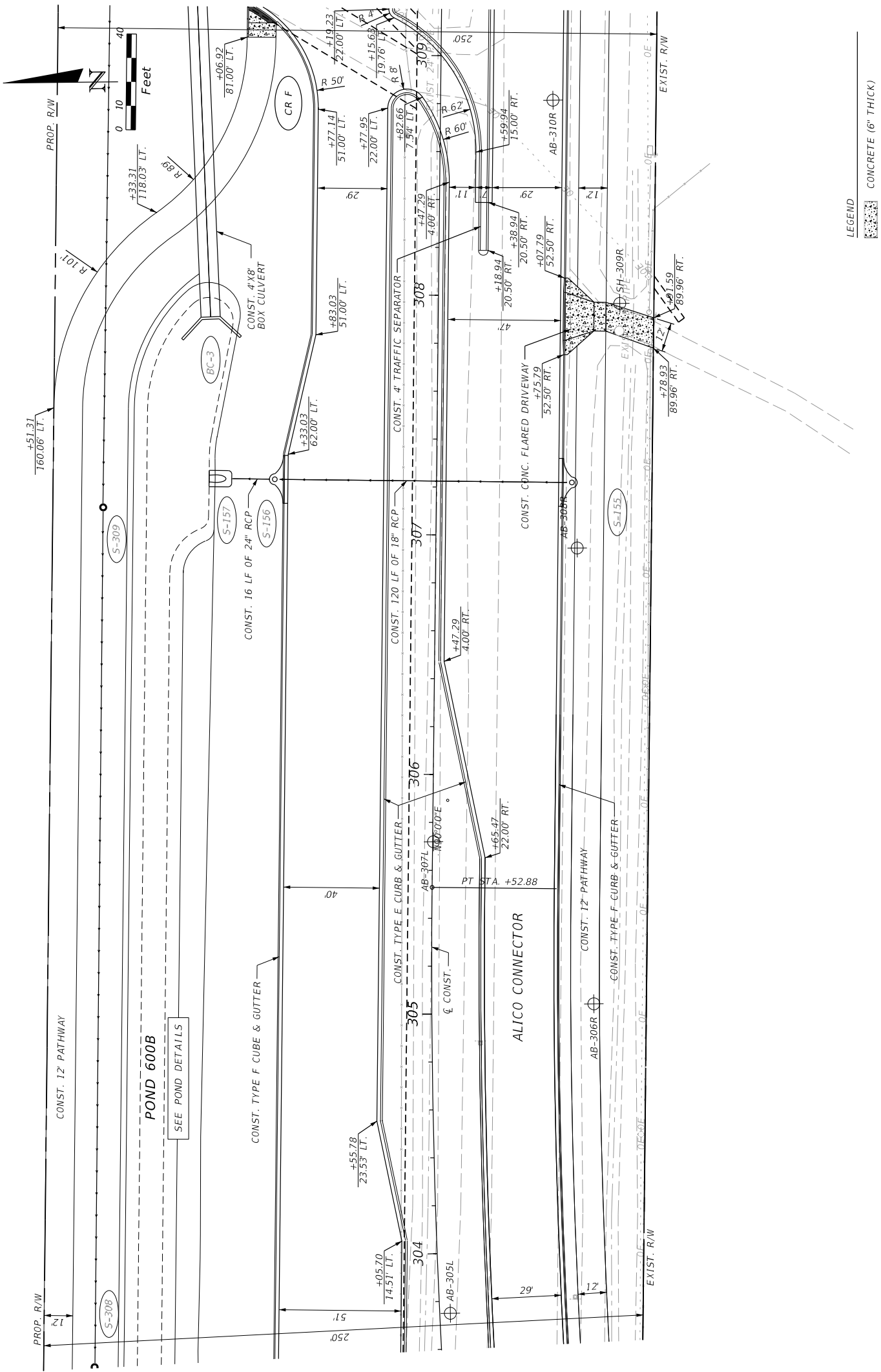


CURVE DATA

PI STA.	=	301+42.68
Δ	=	15° 15' 14" (RT)
D	=	01° 50' 54"
T	=	415.12
L	=	825.32
R	=	3,100.00
PC STA.	=	297+27.56
PT STA.	=	305+52.88
e	=	



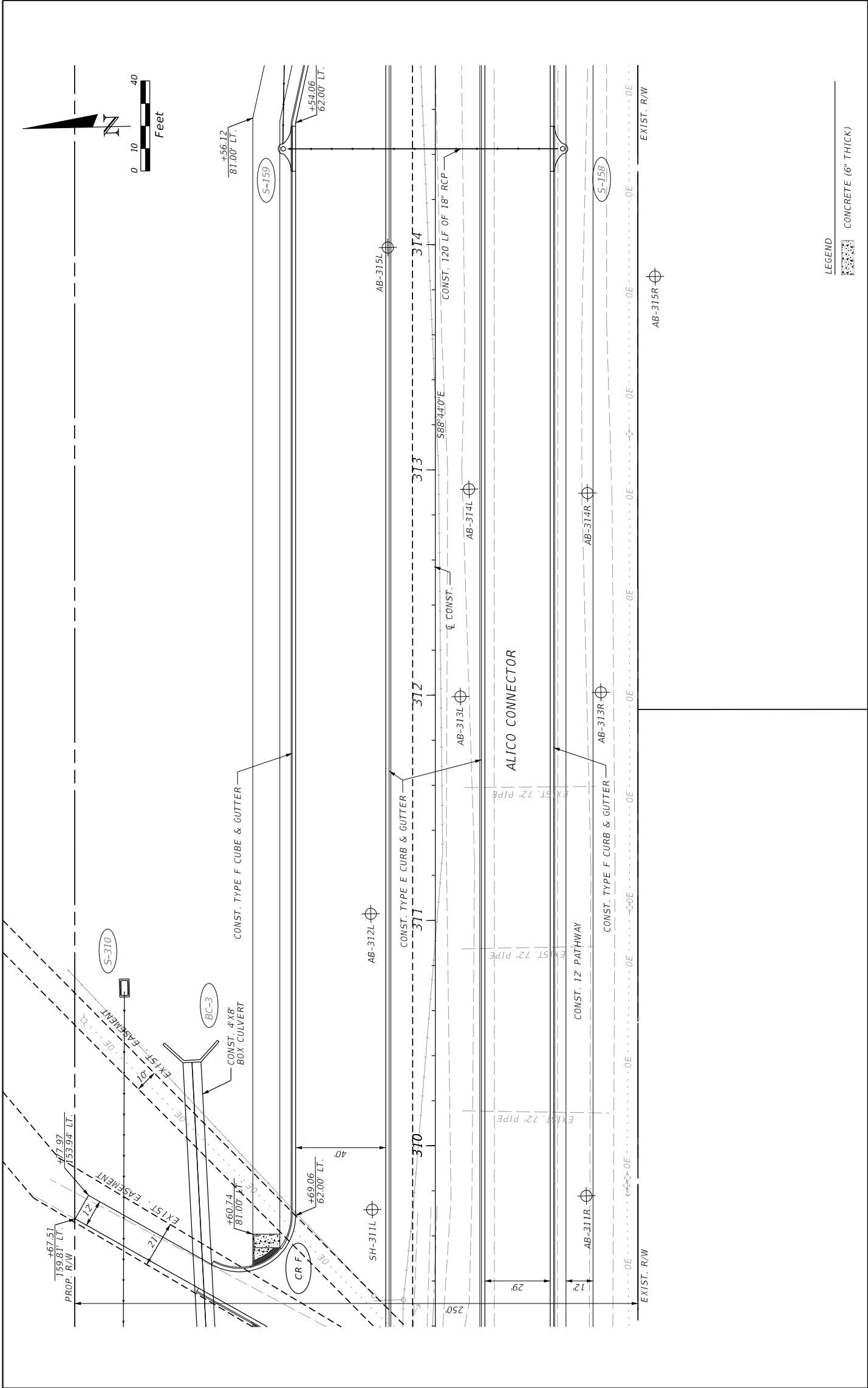
REVISIONS		ENGINEER OF RECORD		DEPARTMENT OF TRANSPORTATION		SHEET NO.
DATE	DESCRIPTION	DATE	DESCRIPTION	ROAD NO.	FINANCIAL PROJECT ID	
						32
		RYAN K. BELL, P.E. 60010 LICENSE NUMBER 100010 JOHNSON ENGINEERING INC. 2122 JOHNSON STREET FORT MYERS, FL 33901		LEE COUNTY COUNTY LEE		PLAN SHEETS



LEGEND
 CONCRETE (6" THICK)

REVISIONS		ENGINEER OF RECORD		DEPARTMENT OF TRANSPORTATION		SHEET NO.
DATE	DESCRIPTION	DATE	DESCRIPTION	ROAD NO.	FINANCIAL PROJECT ID	
		RYAN K. BELL, P.E.	LEE COUNTY			33
		LORNESE KUMBELOO	LEE			
		JOHNSON ENGINEERING INC.				
		2122 JOHNSON STREET				
		FORT MYERS, FL 33901				

PLAN SHEETS

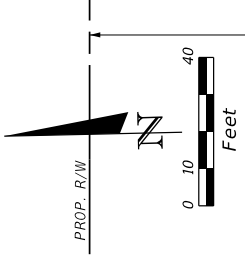
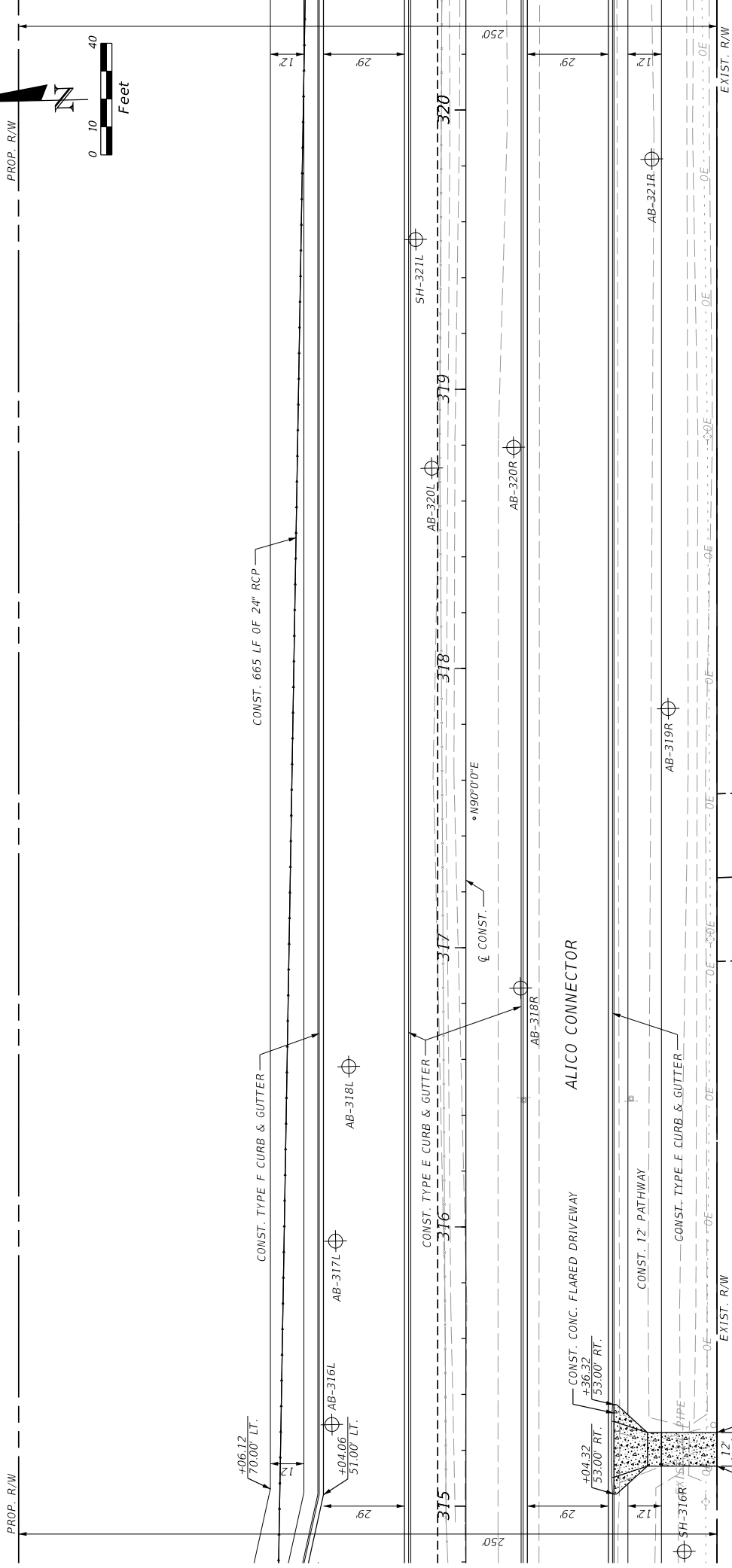


THE OFFICIAL RECORD OF THIS SHEET IS THE ELECTRONIC FILE DIGITALLY SIGNED AND SEALED UNDER RULE 61G15-23.004, F.A.C.

REVISIONS		ENGINEER OF RECORD		DEPARTMENT OF TRANSPORTATION		SHEET NO.
DATE	DESCRIPTION	DATE	DESCRIPTION	ROAD NO.	FINANCIAL PROJECT ID	
			RYAN K. BELL, P.E. 60010 LICENSE NUMBER JOHNSON ENGINEERING INC. 2122 JOHNSON STREET FORT MYERS, FL 33901			34
				COUNTY LEE		

PLAN SHEETS

LEGEND
 CONCRETE (6" THICK)

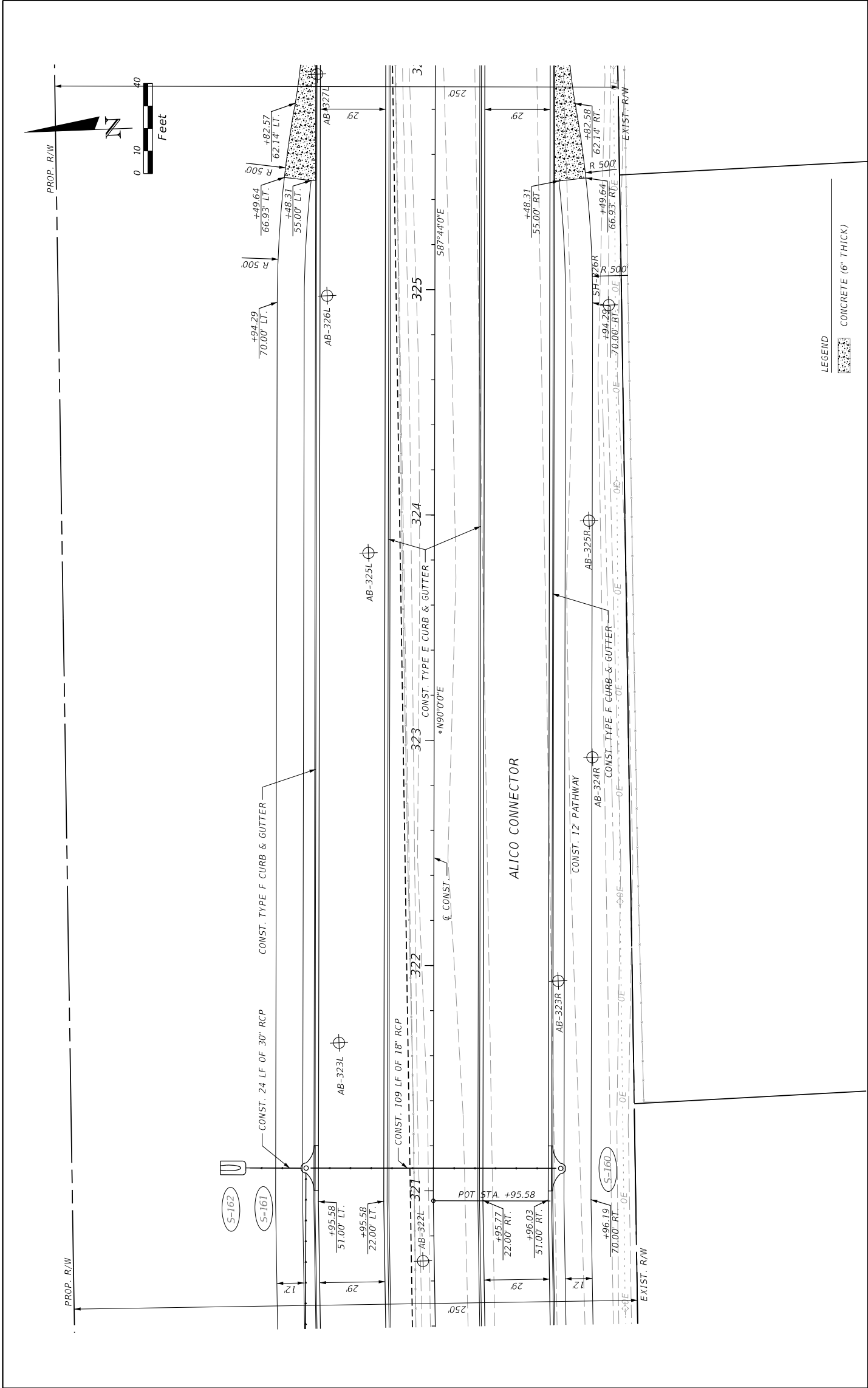


LEGEND
 CONCRETE (6" THICK)

REVISIONS		DESCRIPTION		DATE	

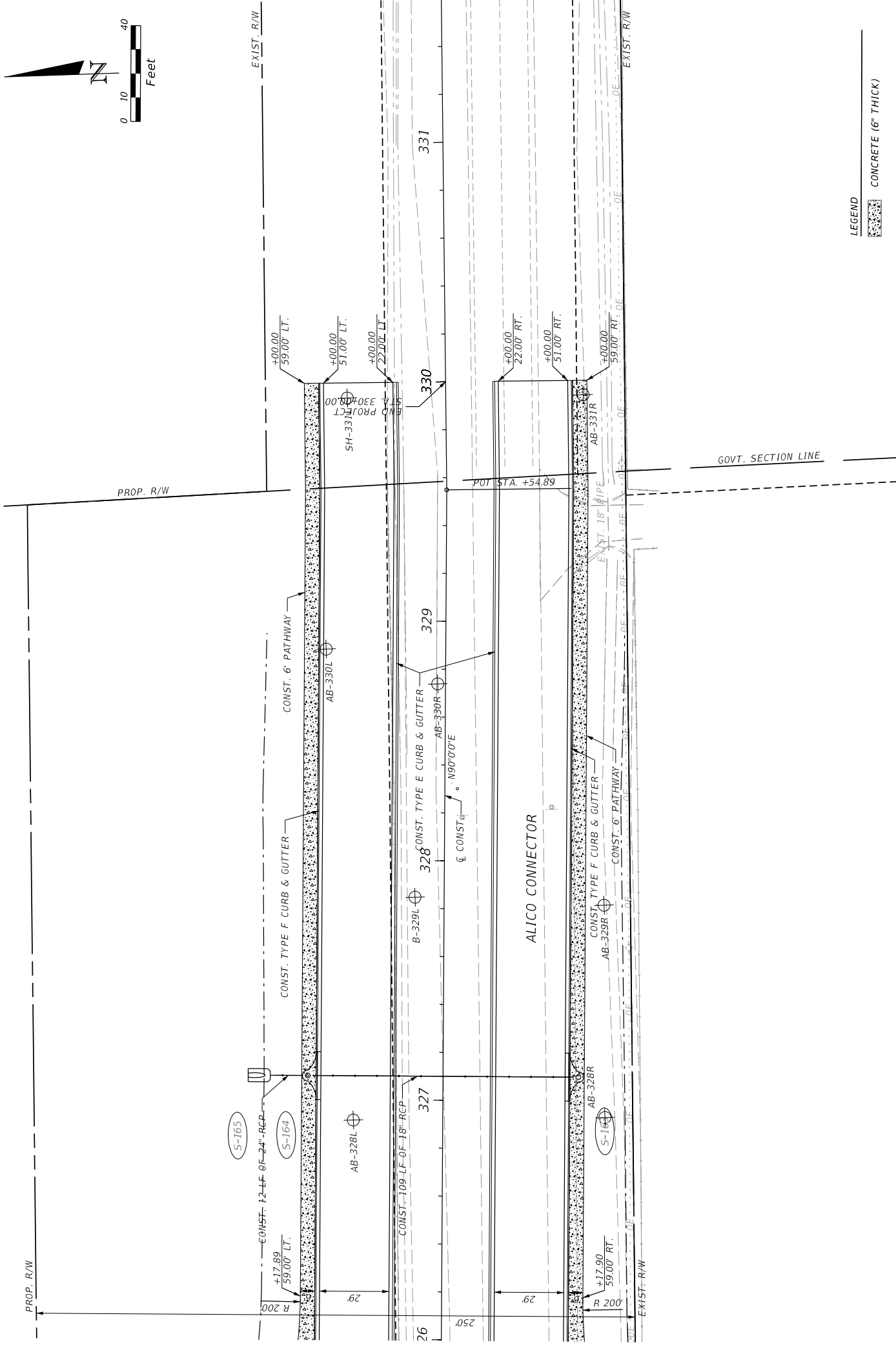
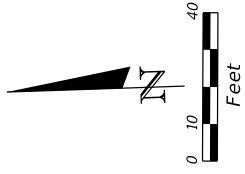
ENGINEER OF RECORD		LEE COUNTY	
RYAN K. BELL, P.E. 60010		DEPARTMENT OF TRANSPORTATION	
LICENSE NUMBER 00010		ROAD NO.	
JOHNSON ENGINEERING INC.		COUNTY	
2122 JOHNSON STREET		LEE	
FORT WALTERS, FL 33801		FINANCIAL PROJECT ID	

PLAN SHEETS		SHEET NO.
		35



REVISIONS		ENGINEER OF RECORD		DEPARTMENT OF TRANSPORTATION		SHEET NO.
DATE	DESCRIPTION	DATE	DESCRIPTION	ROAD NO.	FINANCIAL PROJECT ID	
			RYAN K. BELL, P.E. 60010 LICENSE NUMBER JOHNSON ENGINEERING INC. 2122 JOHNSON STREET FORT MYERS, FL 33901			36
				LEE		

PLAN SHEETS



LEGEND
 CONCRETE (6" THICK)

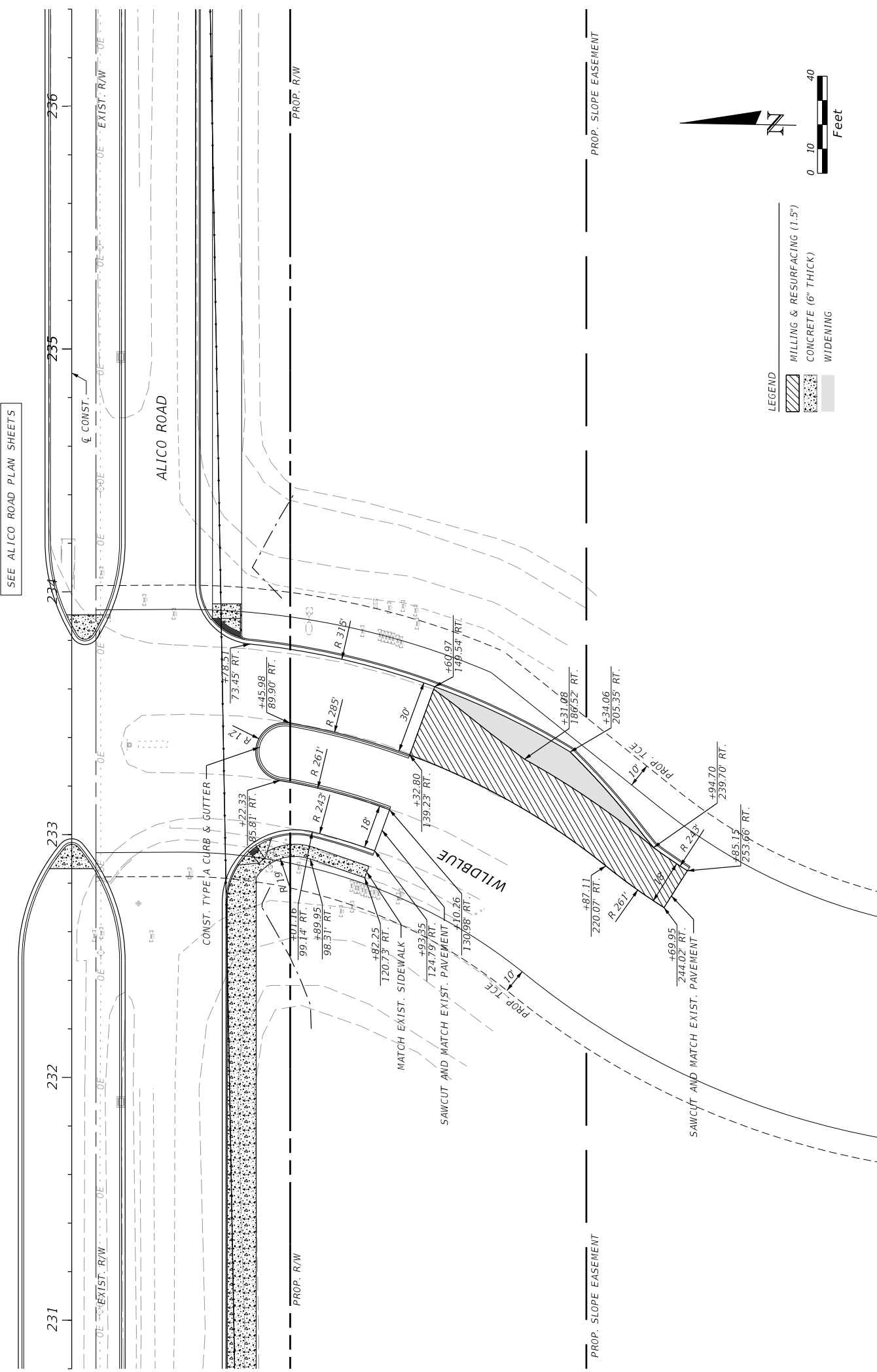
SHEET NO.
37

PLAN SHEETS

LEE COUNTY	
DEPARTMENT OF TRANSPORTATION	FINANCIAL PROJECT ID
ROAD NO.	COUNTY
	LEE

ENGINEER OF RECORD
 RYAN K. BELL, P.E. 60010
 LICENSE NUMBER 60010
 JOHNSON ENGINEERING INC.
 2122 JOHNSON STREET
 FORT MYERS, FL 33901

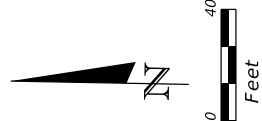
DATE	DESCRIPTION	REVISIONS	DATE	DESCRIPTION



SEE ALICO ROAD PLAN SHEETS

LEGEND

- MILLING & RESURFACING (1.5")
- CONCRETE (6" THICK)
- WIDENING



REVISIONS		ENGINEER OF RECORD		DEPARTMENT OF TRANSPORTATION		SHEET NO.	
DATE	DESCRIPTION	DATE	DESCRIPTION	ROAD NO.	COUNTY	FINANCIAL PROJECT ID	
			RYAN K. BELL, P.E. 60010 LICENSE NUMBER JOHNSON ENGINEERING INC. 2122 JOHNSON STREET FORT MYERS, FL 33901		LEE		38
					LEE		

**WILDBLUE
PLAN SHEET**

LEE COUNTY

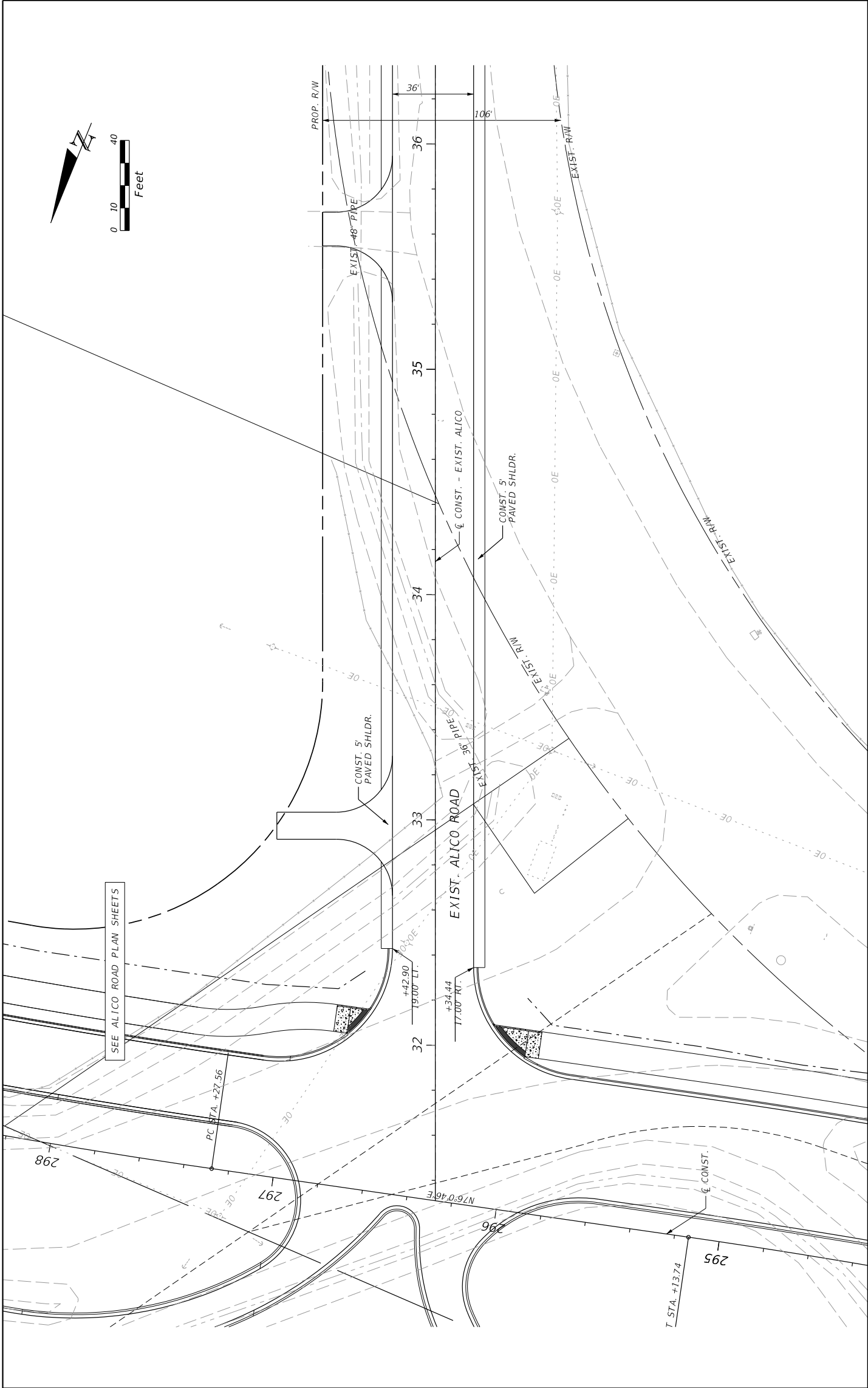
ENGINEER OF RECORD

DESCRIPTION

DATE

DESCRIPTION

SHEET NO.



SEE ALICO ROAD PLAN SHEETS

REVISIONS		ENGINEER OF RECORD		DEPARTMENT OF TRANSPORTATION		SHEET NO.
DATE	DESCRIPTION	DATE	DESCRIPTION	ROAD NO.	FINANCIAL PROJECT ID	
			RYAN K. BELL, P.E. 60010 LICENSE NUMBER JOHNSON ENGINEERING INC. 2122 JOHNSON STREET FORT MYERS, FL 33901			39
				LEE COUNTY		
				COUNTY		
				LEE		

**EXISTING ALICO
PLAN SHEETS**

LEE COUNTY

DEPARTMENT OF TRANSPORTATION

ROAD NO. COUNTY FINANCIAL PROJECT ID

LEE

ENGINEER OF RECORD

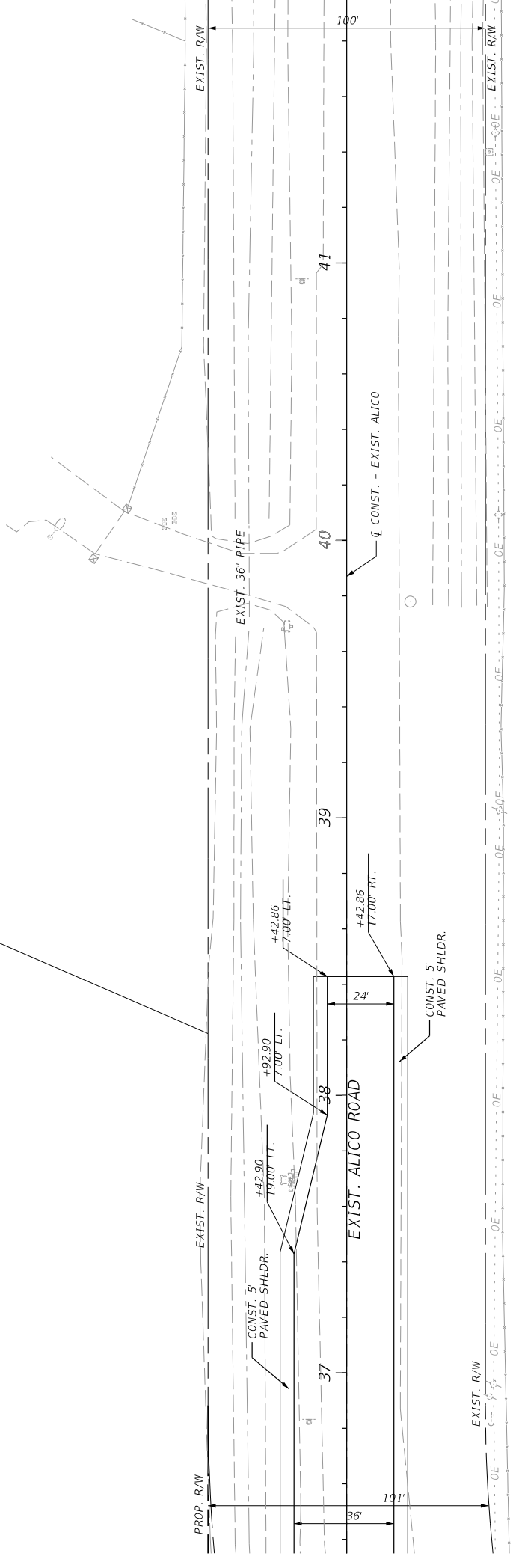
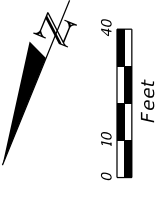
RYAN K. BELL, P.E. 60010
LICENSE NUMBER
JOHNSON ENGINEERING INC.
2122 JOHNSON STREET
FORT MYERS, FL 33901

DATE

DESCRIPTION

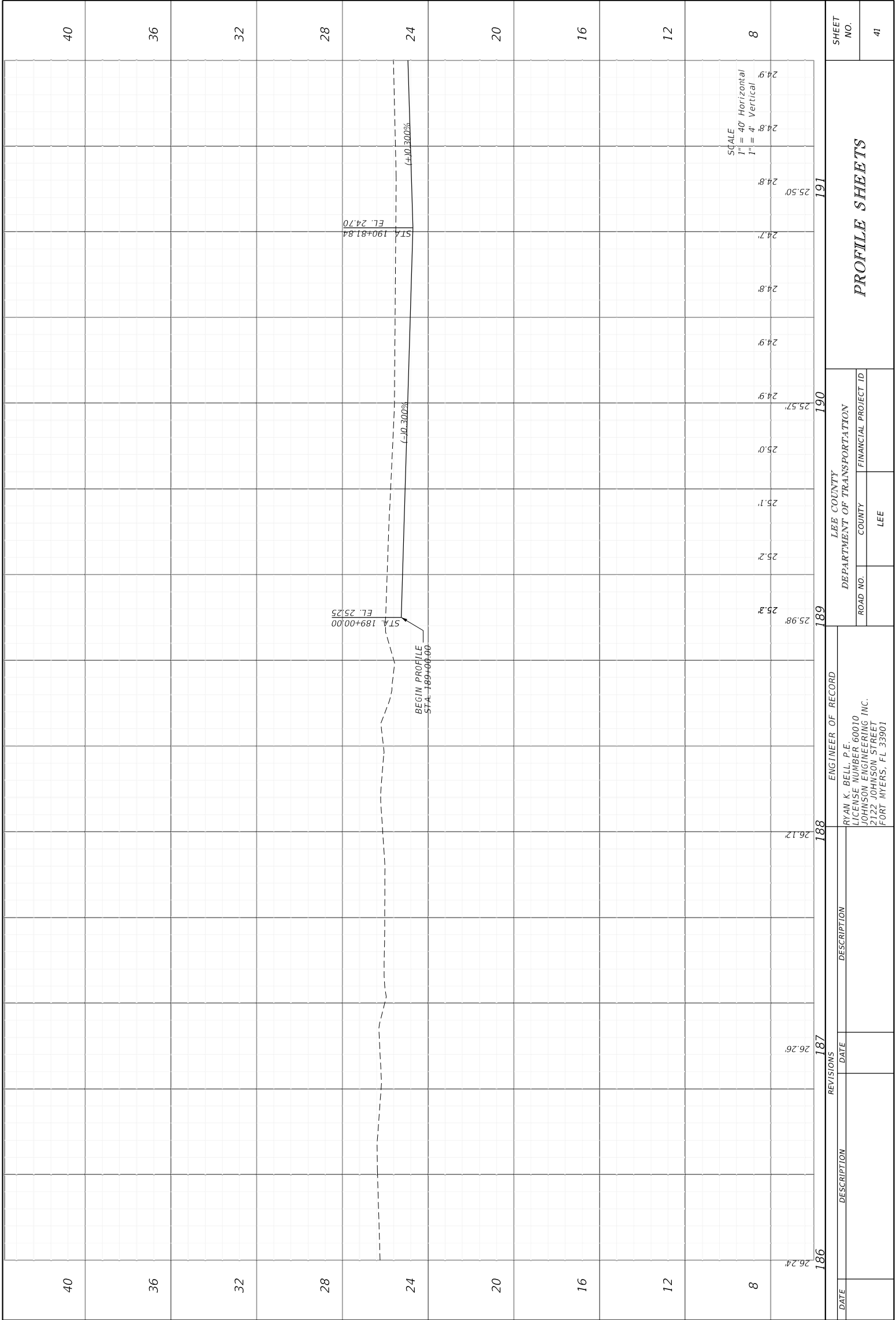
DATE

DESCRIPTION



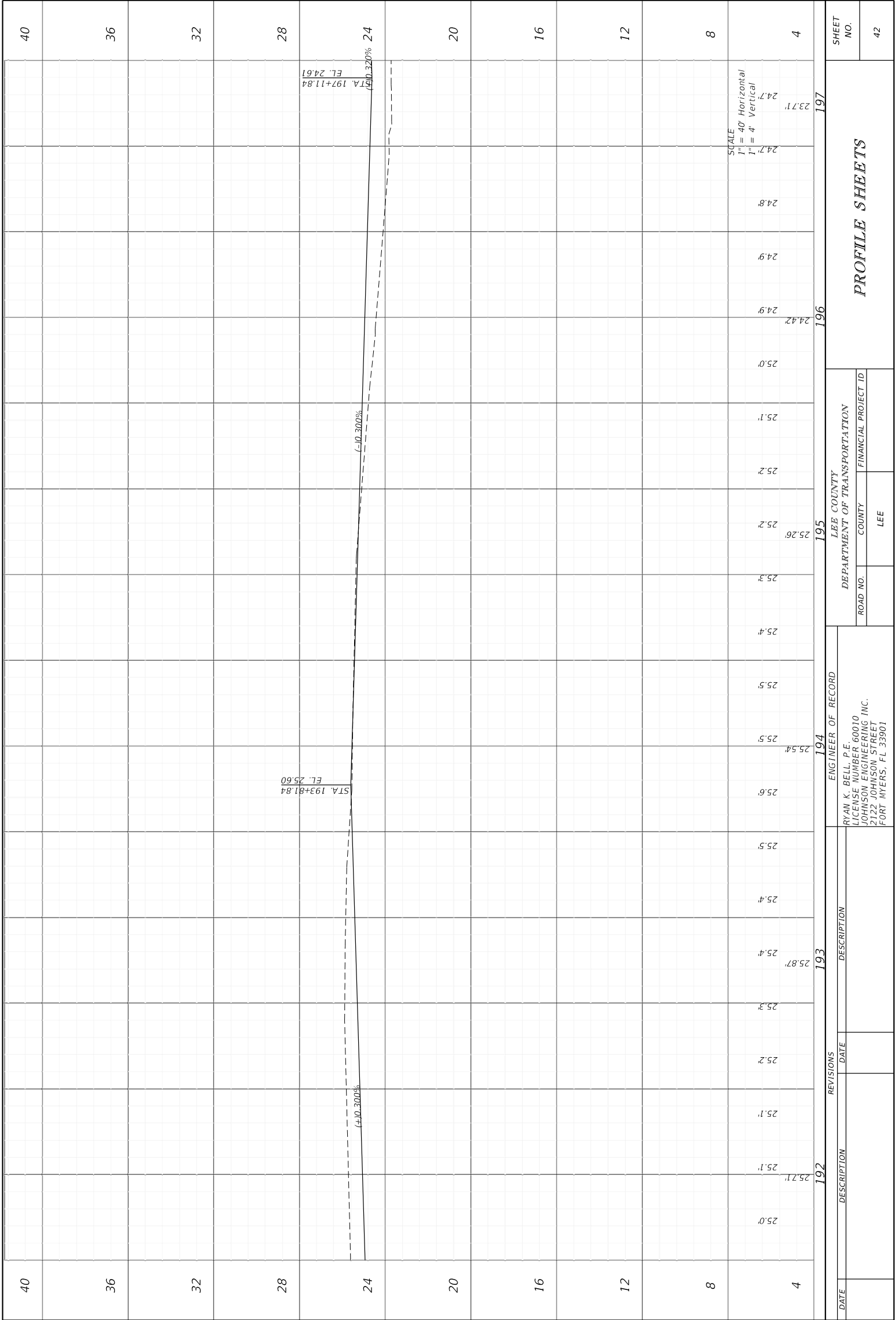
REVISIONS		ENGINEER OF RECORD		DEPARTMENT OF TRANSPORTATION		SHEET NO.
DATE	DESCRIPTION	DATE	DESCRIPTION	ROAD NO.	FINANCIAL PROJECT ID	
						40
		RYAN K. BELL, P.E. 60010 LICENSE NUMBER JOHNSON ENGINEERING INC. 2122 JOHNSON STREET FORT WALTERS, FL 32061		LEE COUNTY COUNTY LEE		EXISTING ALICO PLAN SHEET

THE OFFICIAL RECORD OF THIS SHEET IS THE ELECTRONIC FILE DIGITALLY SIGNED AND SEALED UNDER RULE 61G15-23.004, F.A.C.



DATE		DESCRIPTION		REVISIONS		ENGINEER OF RECORD		DEPARTMENT OF TRANSPORTATION		SHEET NO.	
						RYAN K. BELL, P.E. 60010 LICENSE NUMBER JOHNSON ENGINEERING 2122 JOHNSON STREET FORT MYERS, FL 33901		LEE COUNTY		41	
								COUNTY		LEE	
								ROAD NO.		FINANCIAL PROJECT ID	

PROFILE SHEETS



PROFILE SHEETS

LEE COUNTY
DEPARTMENT OF TRANSPORTATION

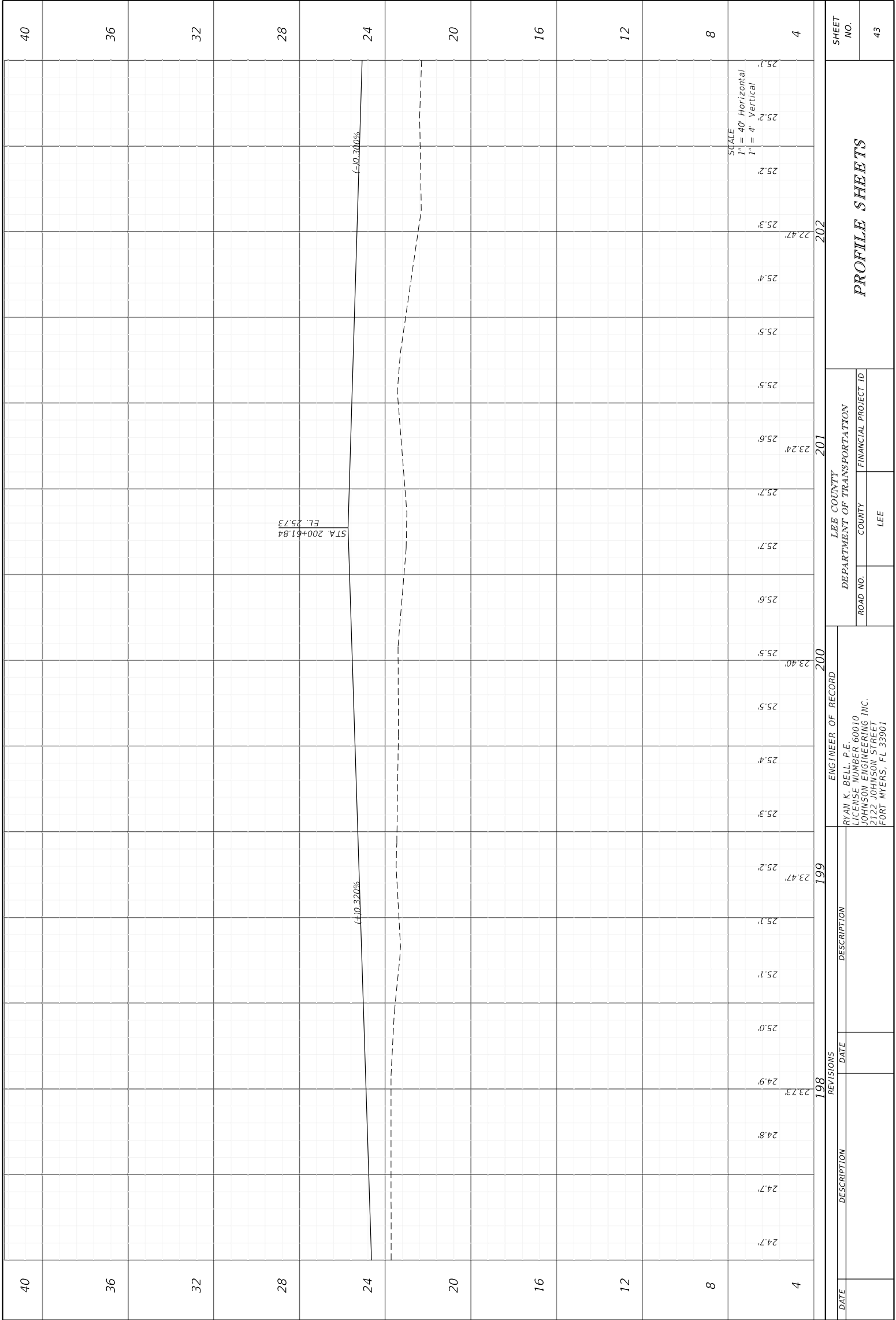
ENGINEER OF RECORD
RYAN K. BELL, P.E. 60010
LORISE NURBEKIAN
JOHNSON ENGINEERING INC.
2122 JOHNSON STREET
FORT WALTERS, FL 32001

ROAD NO. COUNTY FINANCIAL PROJECT ID

REVISIONS
DATE DESCRIPTION

DATE DESCRIPTION

SHEET NO. 42

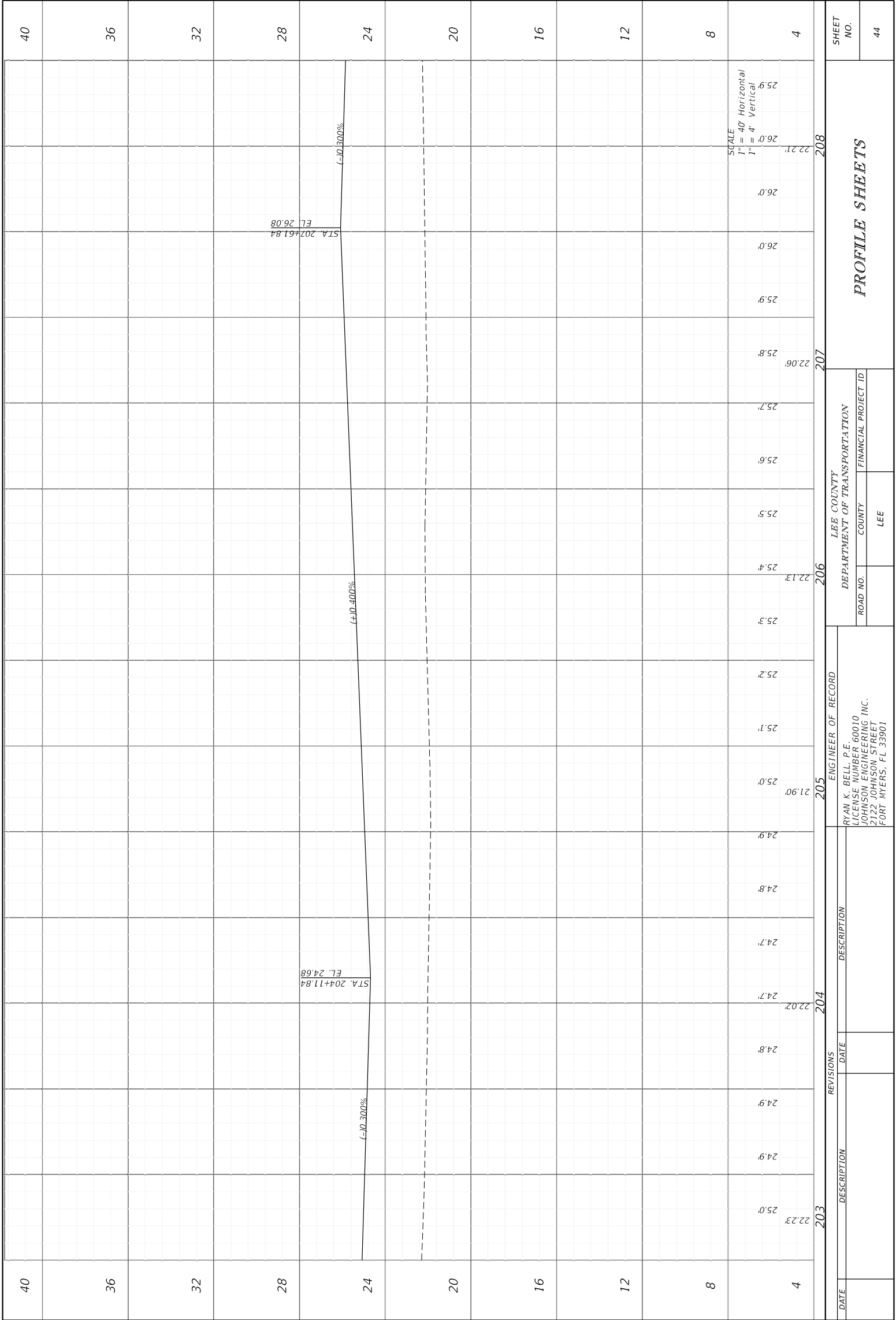


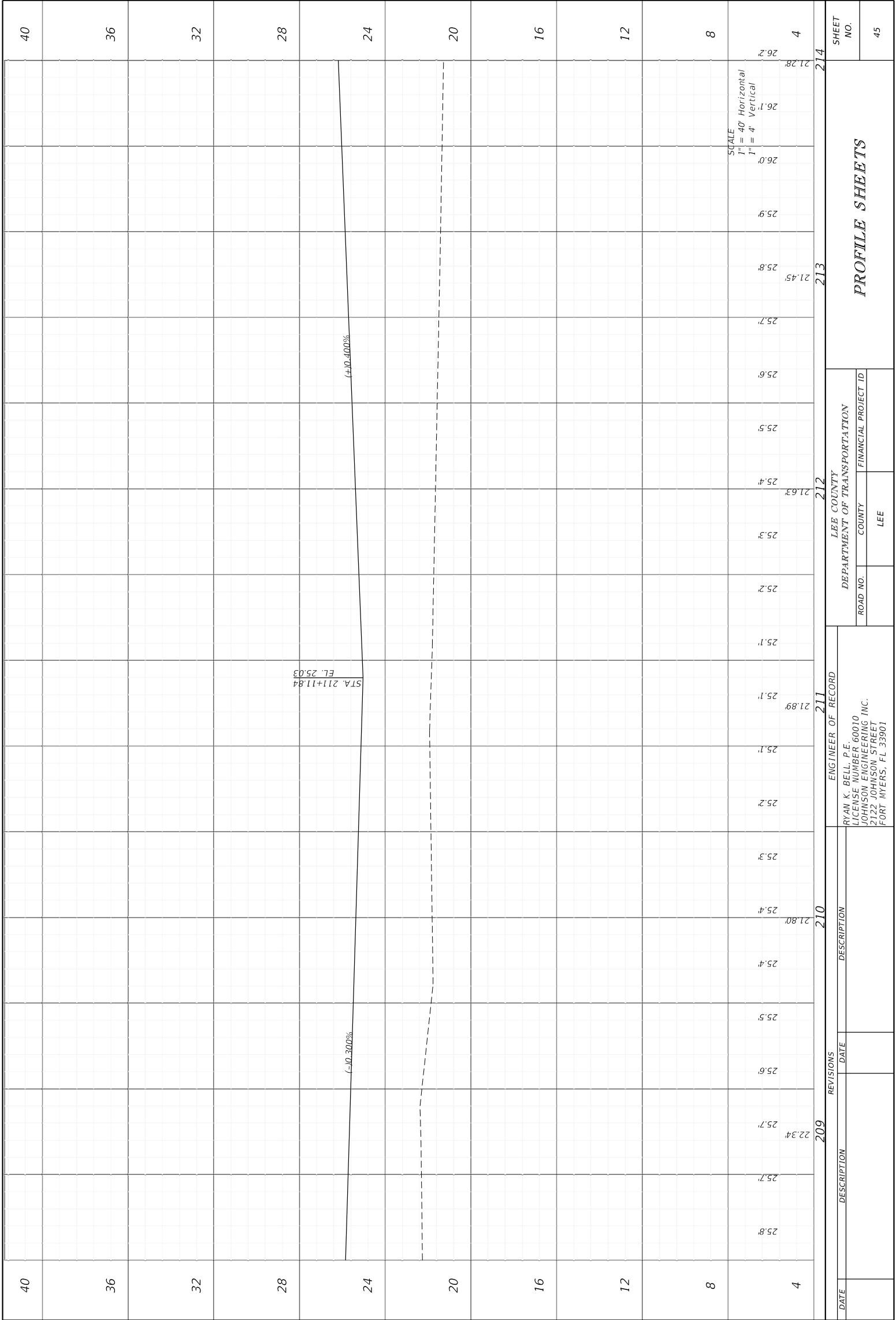
PROFILE SHEETS

SHEET NO.	43
	202
LEE COUNTY DEPARTMENT OF TRANSPORTATION	
ROAD NO.	201
COUNTY	LEE
FINANCIAL PROJECT ID	200

ENGINEER OF RECORD
 RYAN K. BELL, P.E. 60010
 LICENSE NUMBER 60010
 JOHNSON ENGINEERING INC.
 2122 JOHNSON STREET
 FORT MYERS, FL 33901

DATE	DESCRIPTION
198	24.7
198	24.7
198	24.7
198	24.8
198	24.9
198	25.0
198	25.1
198	25.1
198	25.2
199	23.47
199	25.3
199	25.4
199	25.5
199	25.5
199	25.6
199	25.7
199	25.7
199	25.7
199	25.8
199	25.9
199	25.9
199	26.0
200	23.40
200	23.24
200	25.3
200	25.4
200	25.5
200	25.5
200	25.6
200	25.7
200	25.7
200	25.8
200	25.9
200	25.9
200	26.0
201	22.47
201	25.1
201	25.2
201	25.2
201	25.3
201	25.4
201	25.5
201	25.5
201	25.6
201	25.7
201	25.7
201	25.8
201	25.9
201	25.9
201	26.0
202	25.1
202	25.2
202	25.2





PROFILE SHEETS

LEE COUNTY
 DEPARTMENT OF TRANSPORTATION

ROAD NO.
 COUNTY
 LEE

ENGINEER OF RECORD
 RYAN K. BELL, P.E. 60010
 LICENSE NUMBER
 JOHNSON ENGINEERING INC.
 2122 JOHNSON STREET
 FORT WALTERS, FL 32061

DESCRIPTION

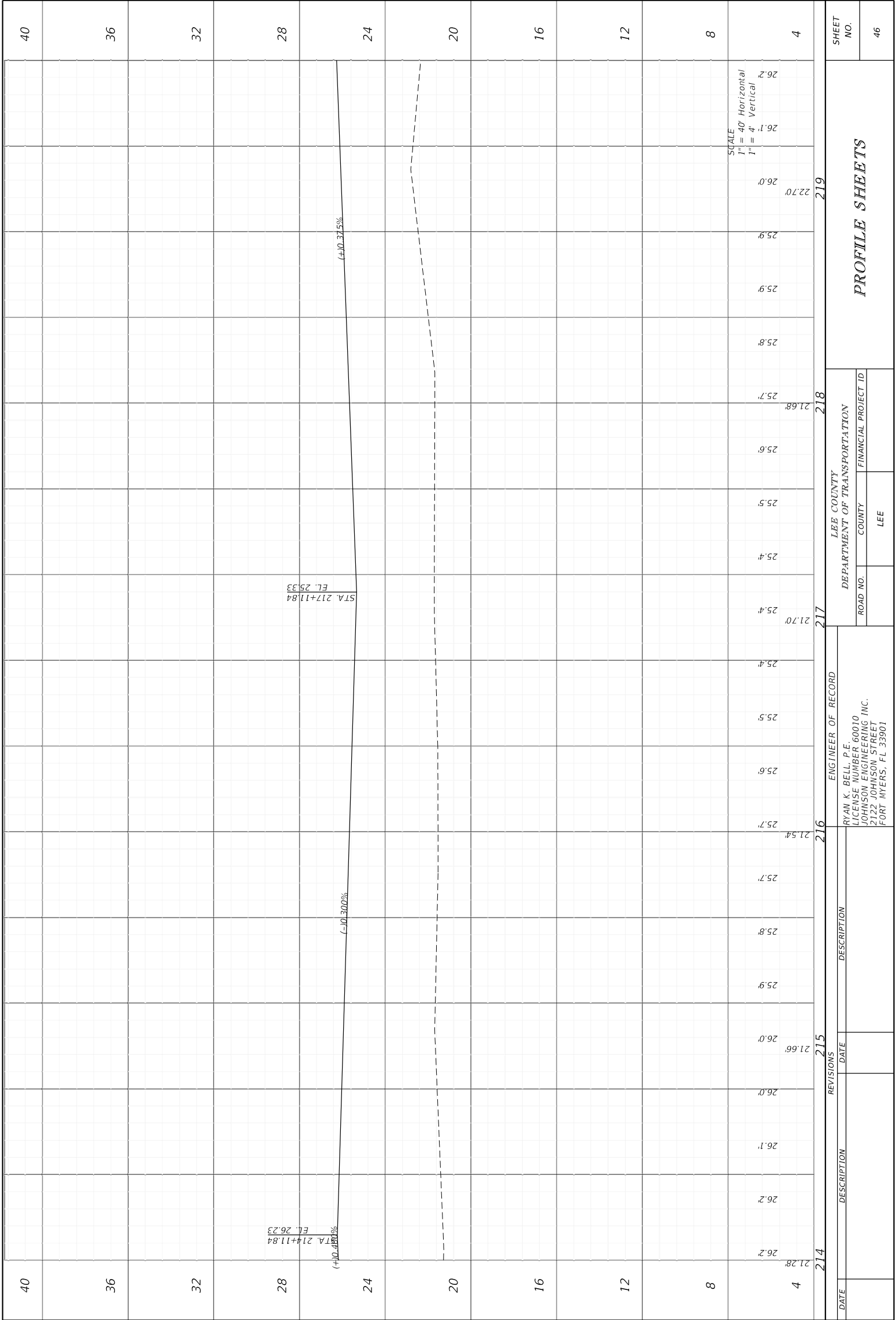
REVISIONS
 DATE

DESCRIPTION

DATE

SHEET NO.
 45

THE OFFICIAL RECORD OF THIS SHEET IS THE ELECTRONIC FILE DIGITALLY SIGNED AND SEALED UNDER RULE 61G15-23.004, F.A.C.



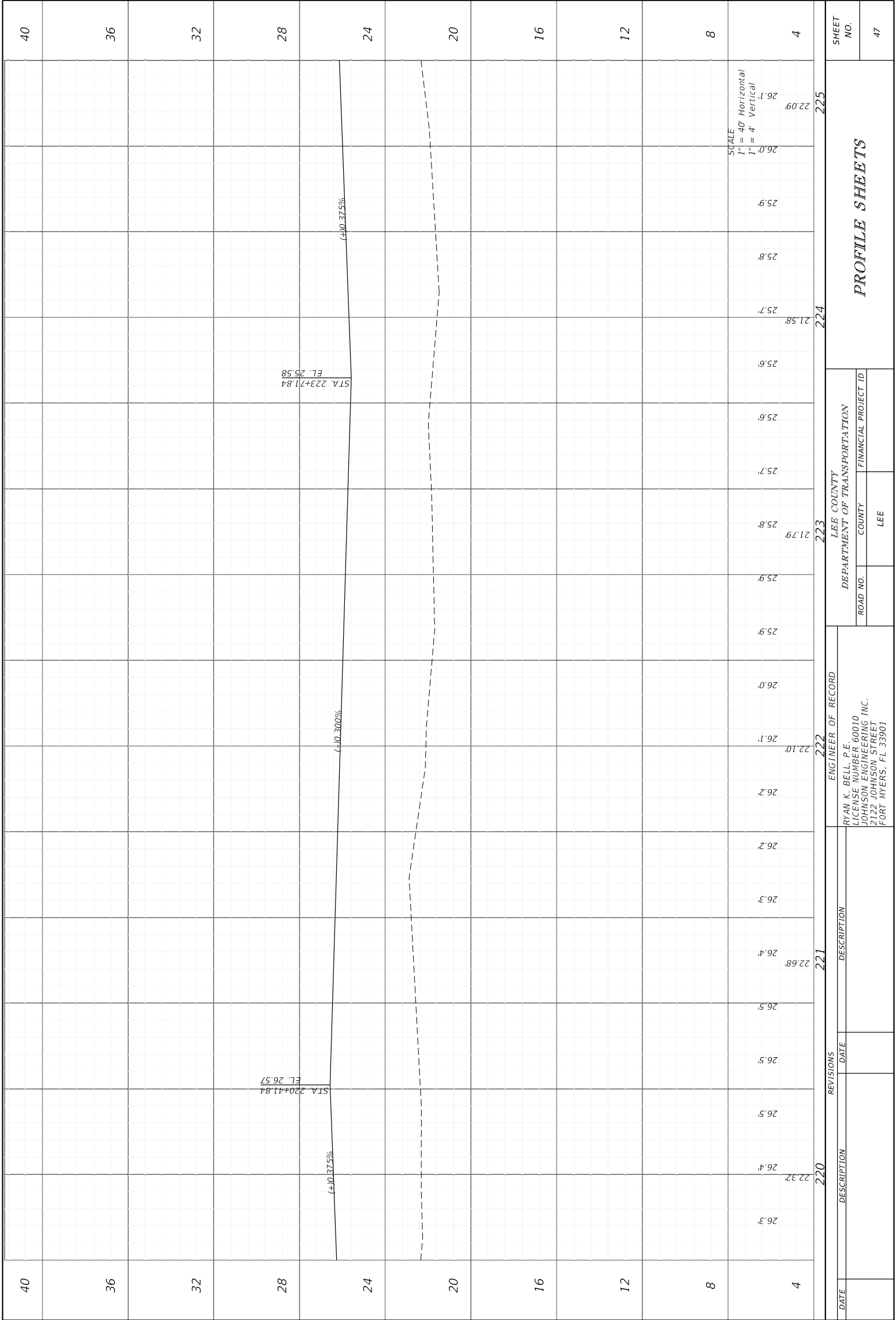
PROFILE SHEETS

DEPARTMENT OF TRANSPORTATION
 LEE COUNTY
 COUNTY LEE
 ROAD NO. FINANCIAL PROJECT ID

ENGINEER OF RECORD
 RYAN K. BELL, P.E. 60010
 LICENSE NUMBER 60010
 JOHNSON ENGINEERING INC.
 2122 JOHNSON STREET
 FORT WALTERS, FL 32061

REVISIONS	
DATE	DESCRIPTION

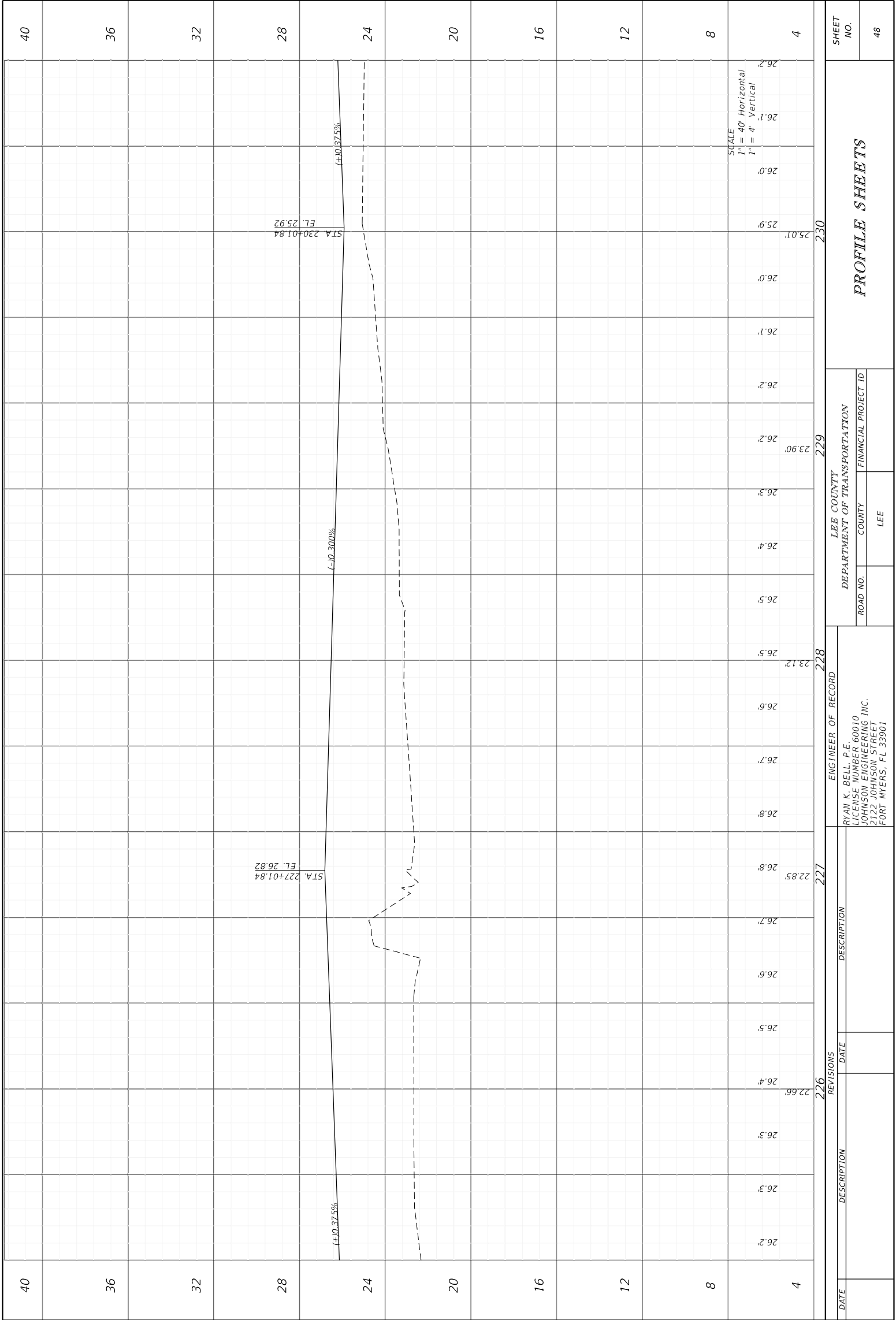
SHEET NO.
 46



DATE	DESCRIPTION	DATE	DESCRIPTION

ENGINEER OF RECORD		LEE COUNTY	
RYAN K. BELL, P.E. 60010		DEPARTMENT OF TRANSPORTATION	
LICENSE NUMBER 60010		ROAD NO.	
JOHNSON ENGINEERING INC.		COUNTY	
2122 JOHNSON STREET		LEE	
FORT WALTERS, FL 33901		FINANCIAL PROJECT ID	

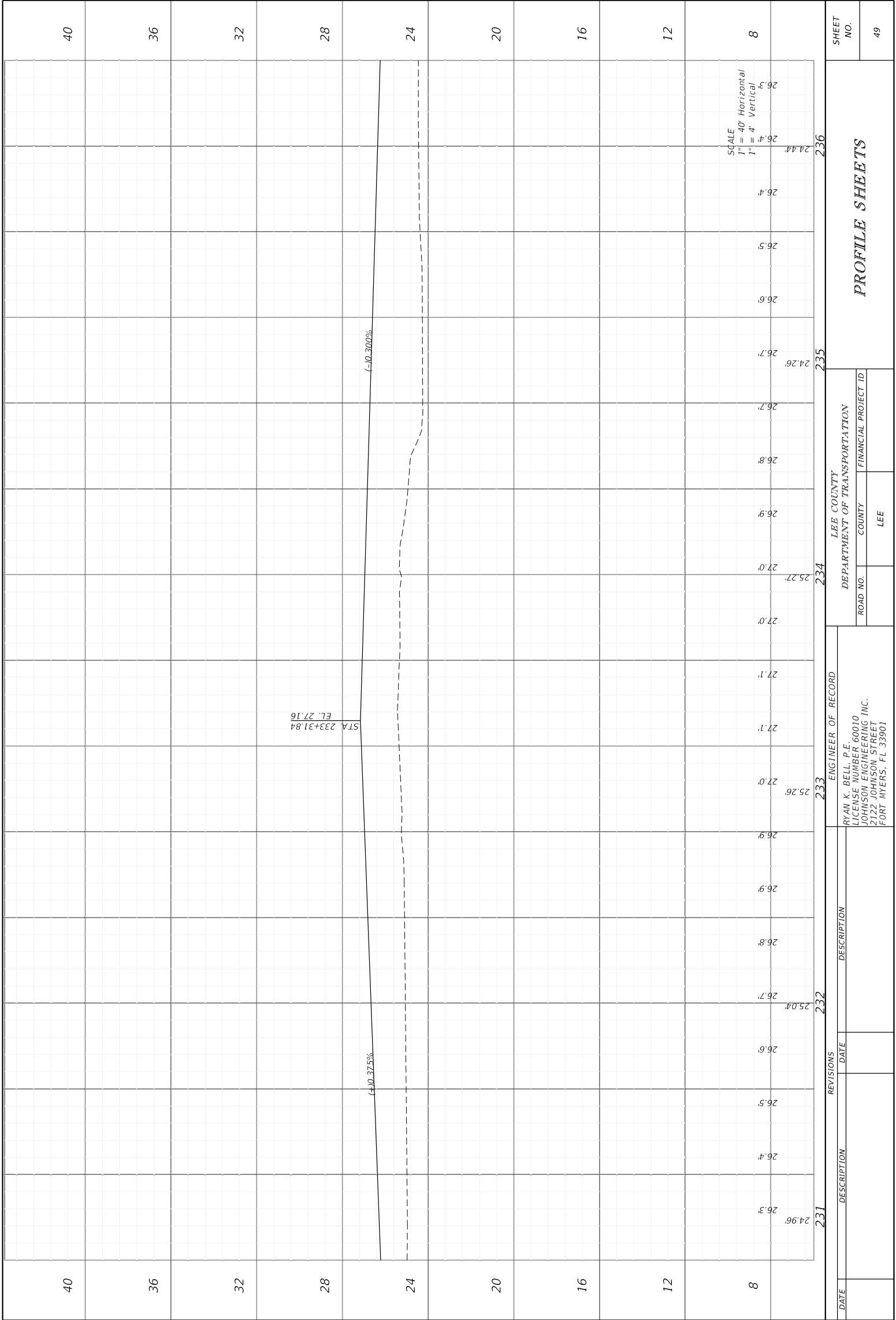
SHEET NO.	47
PROFILE SHEETS	



DATE	DESCRIPTION	DATE	DESCRIPTION	ENGINEER OF RECORD	DEPARTMENT OF TRANSPORTATION		SHEET NO.
					ROAD NO.	FINANCIAL PROJECT ID	
				RYAN K. BELL, P.E. 60010 LOUISIANA ENGINEERING INC. 2122 JOHNSON STREET FORT WALTERS, FL 33801	LEE COUNTY		48
					COUNTY	LEE	

PROFILE SHEETS

THE OFFICIAL RECORD OF THIS SHEET IS THE ELECTRONIC FILE DIGITALLY SIGNED AND SEALED UNDER RULE 61G15-23.004, F.A.C.



DATE	DESCRIPTION	REVISIONS	DATE	DESCRIPTION

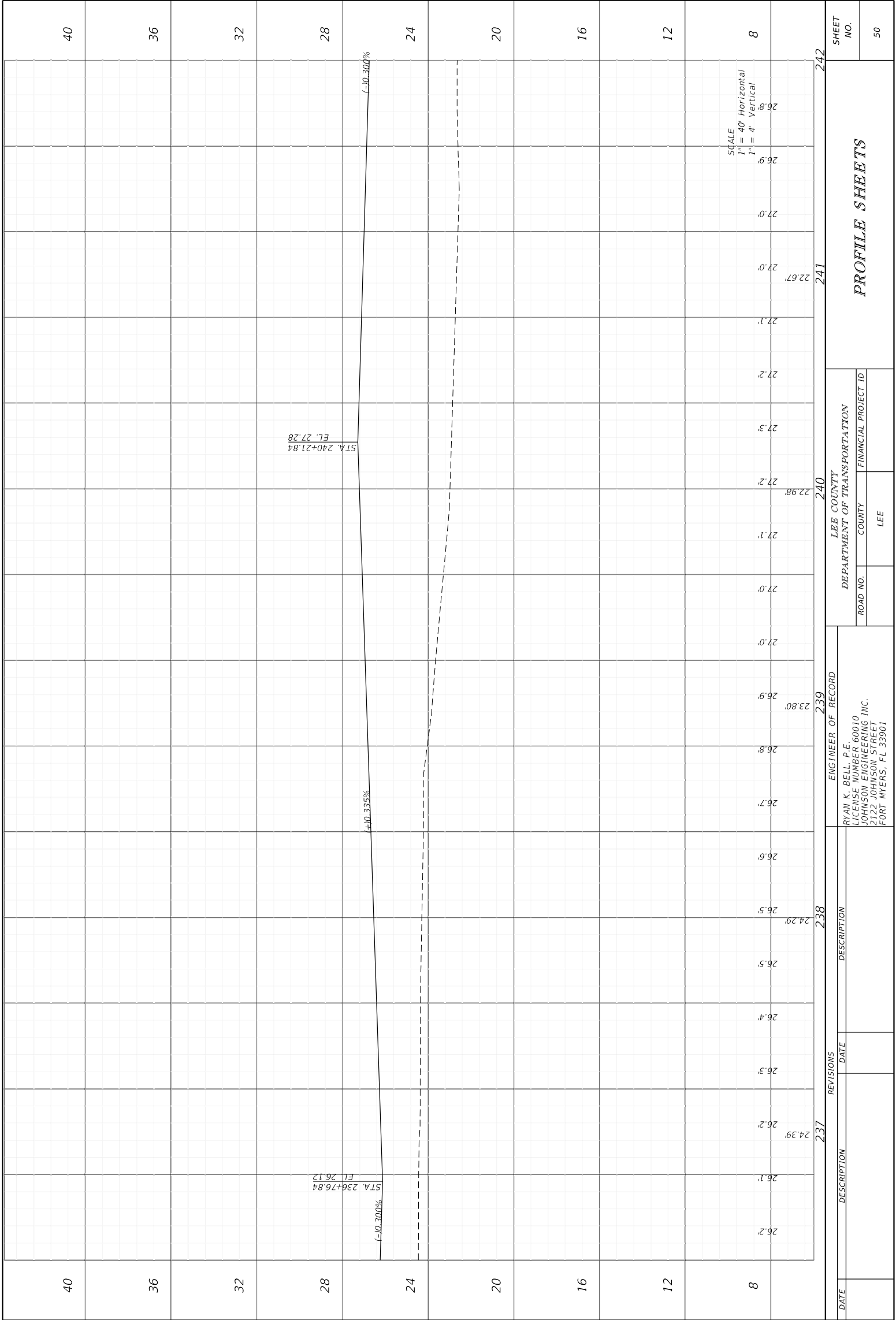
ENGINEER OF RECORD		LEE COUNTY	
RYAN K. BELL, P.E. 60010		DEPARTMENT OF TRANSPORTATION	
LICENSE NUMBER 00010		ROAD NO.	
JOHNSON ENGINEERING INC.		COUNTY	
2122 JOHNSON STREET		LEE	
FORT WALTERS, FL 33901		FINANCIAL PROJECT ID	

SHEET NO.	
49	

PROFILE SHEETS

SCALE
 1" = 40' Horizontal
 1" = 4' Vertical

THE OFFICIAL RECORD OF THIS SHEET IS THE ELECTRONIC FILE DIGITALLY SIGNED AND SEALED UNDER RULE 61G15-23.004, F.A.C.



PROFILE SHEETS

LEE COUNTY
DEPARTMENT OF TRANSPORTATION

ENGINEER OF RECORD
RYAN K. BELL, P.E. 60010
LICENSE NUMBER
JOHNSON ENGINEERING
2122 JOHNSON STREET
FORT WALTERS, FL 33801

REVISIONS

DATE	DESCRIPTION	DATE	DESCRIPTION
26.2		26.3	
26.1		26.4	
24.39		26.5	
24.29		26.6	
23.80		26.7	
22.98		26.8	
22.67		26.9	
27.0		27.0	
27.1		27.1	
27.2		27.2	
27.3		27.3	
27.0		27.4	
27.0		27.5	
27.0		27.6	
27.0		27.7	
27.0		27.8	
27.0		27.9	
27.0		28.0	

ROAD NO. COUNTY FINANCIAL PROJECT ID

LEE

240 241 242

SHEET NO. 50

SCALE
1" = 40' Horizontal
1" = 4' Vertical

40

36

32

28

24

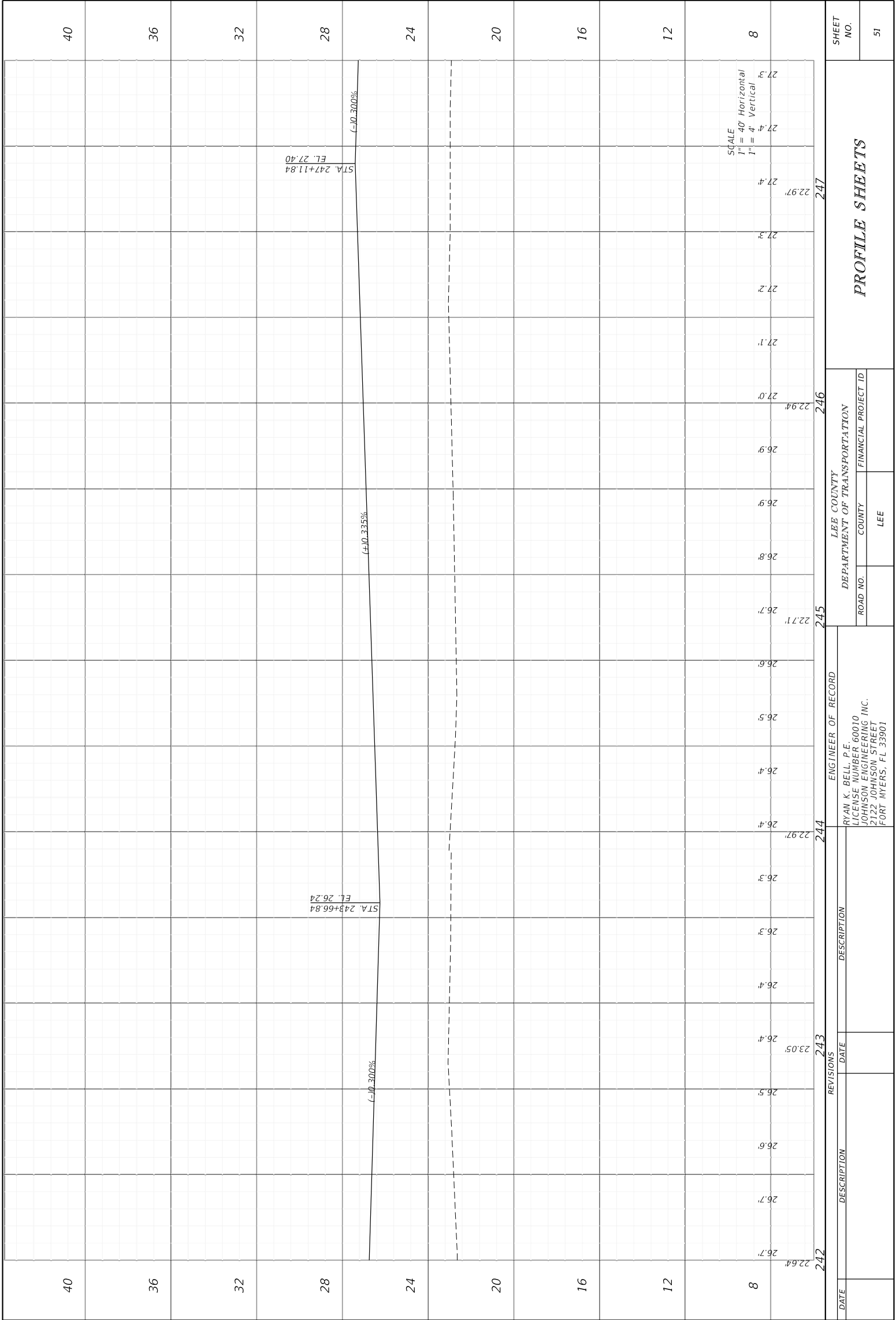
20

16

12

8

THE OFFICIAL RECORD OF THIS SHEET IS THE ELECTRONIC FILE DIGITALLY SIGNED AND SEALED UNDER RULE 61G15-23.004, F.A.C.



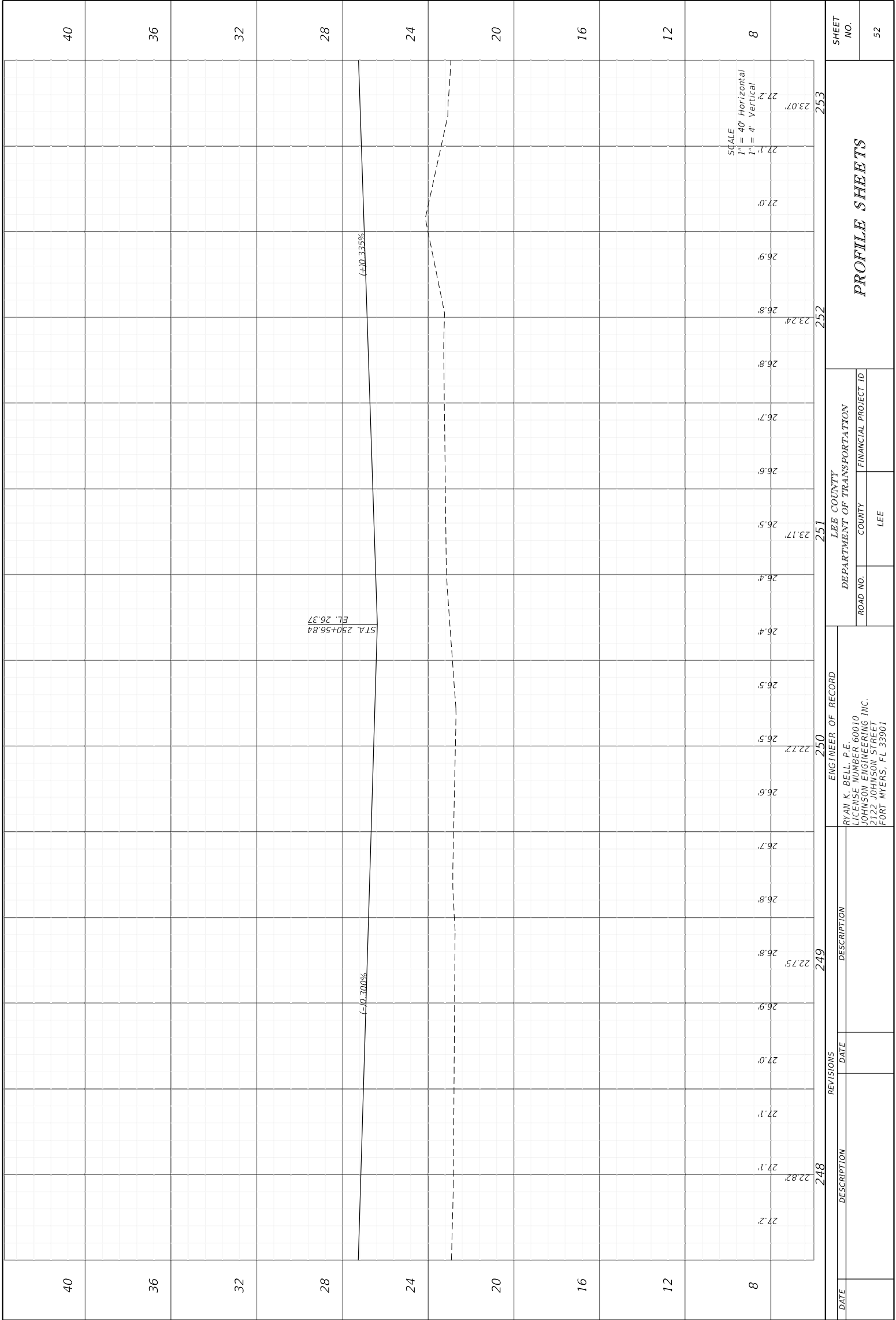
PROFILE SHEETS

DEPARTMENT OF TRANSPORTATION	
ROAD NO.	COUNTY
	LEE
FINANCIAL PROJECT ID	
LEE COUNTY	

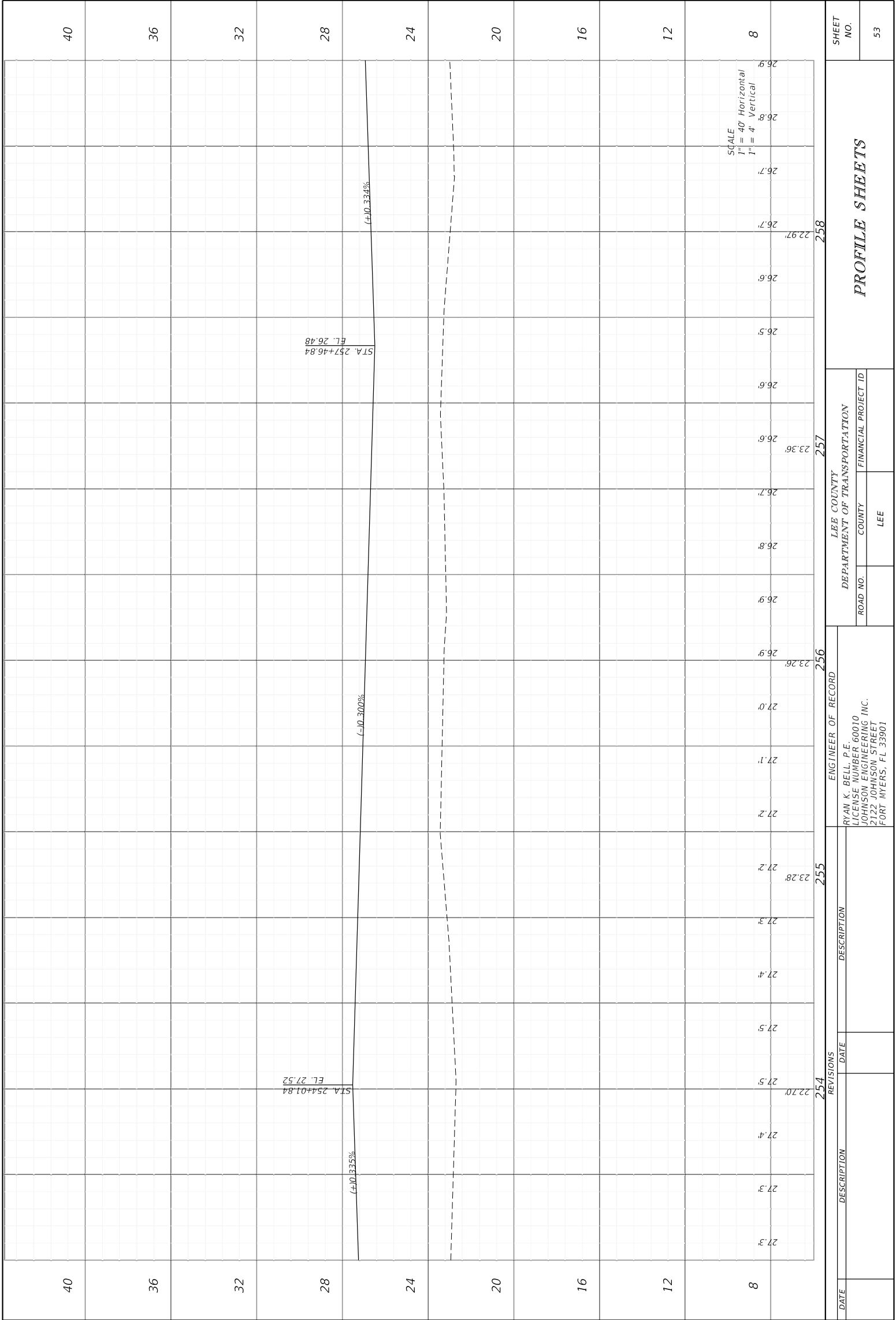
ENGINEER OF RECORD
 RYAN K. BELL, P.E. 60010
 LICENSE NUMBER
 JOHNSON ENGINEERING
 2122 JOHNSON STREET
 FORT WALTERS, FL 33801

DATE	DESCRIPTION
242	22.64
243	23.05
244	22.97
245	22.71
246	22.94
247	22.97

SHEET NO.
51



DATE	DESCRIPTION	DATE	DESCRIPTION
REVISIONS ENGINEER OF RECORD RYAN K. BELL, P.E. 60010 LICENSE NUMBER JOHNSON ENGINEERING INC. 2122 JOHNSON STREET FORT MYERS, FL 33901		DEPARTMENT OF TRANSPORTATION ROAD NO. COUNTY FINANCIAL PROJECT ID LEE LEE	
SHEET NO. 52		PROFILE SHEETS	



PROFILE SHEETS

LEE COUNTY
 DEPARTMENT OF TRANSPORTATION

ROAD NO.	COUNTY	FINANCIAL PROJECT ID
	LEE	

ENGINEER OF RECORD

RYAN K. BELL, P.E. 60010
 LICENSE NUMBER
 JOHNSON ENGINEERING INC.
 2122 JOHNSON STREET
 FORT WALTERS, FL 32061

REVISIONS

DATE	DESCRIPTION
254	22.70
255	22.28
256	22.26
257	22.36
258	22.97

SHEET NO.

53

PROFILE SHEETS

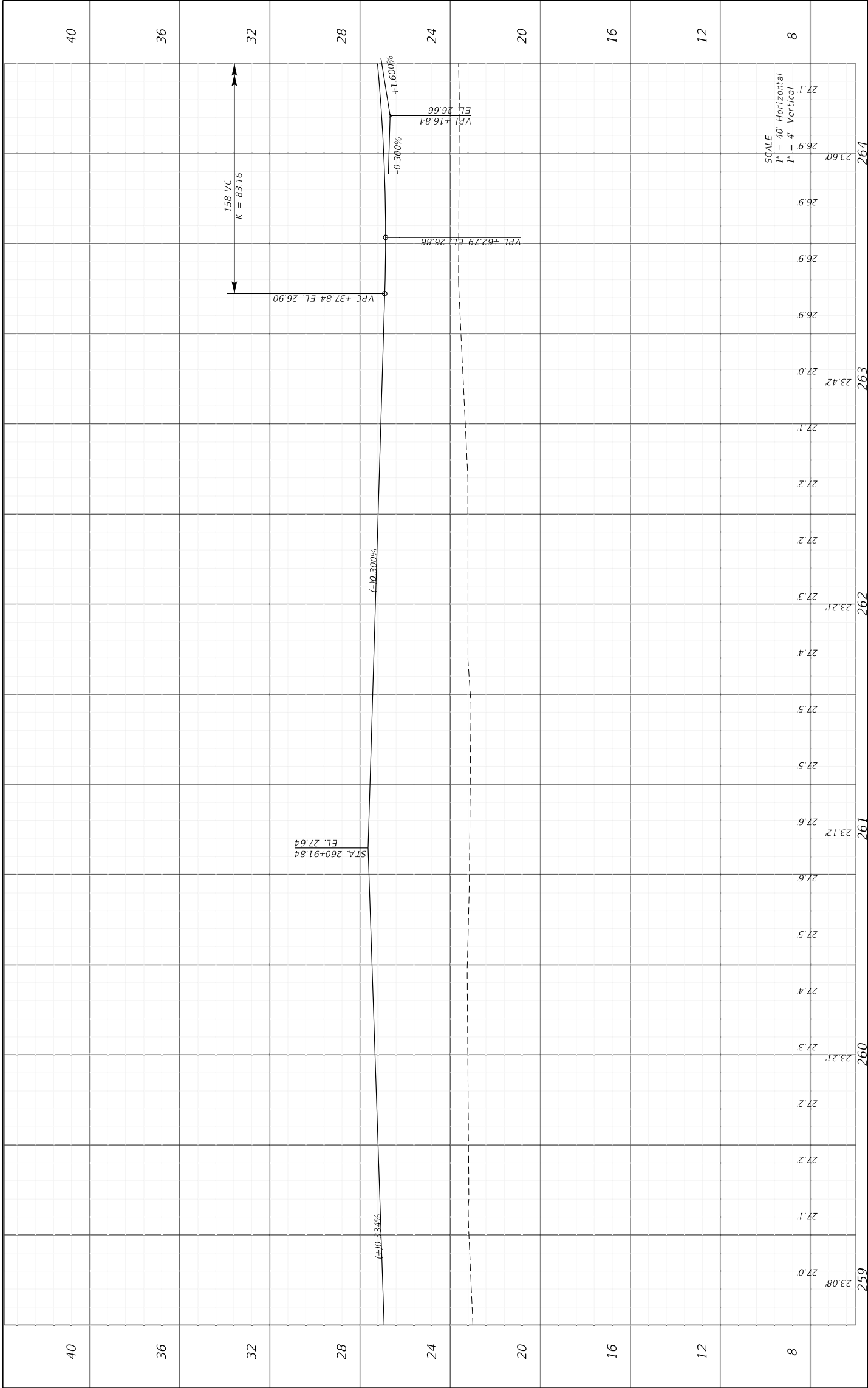
DEPARTMENT OF TRANSPORTATION
LEE COUNTY
COUNTY LEE

ENGINEER OF RECORD
RYAN K. BELL, P.E. 60010
LICENSE NUMBER
JOHNSON ENGINEERING INC.
2122 JOHNSON STREET
FORT WALTERS, FL 33801

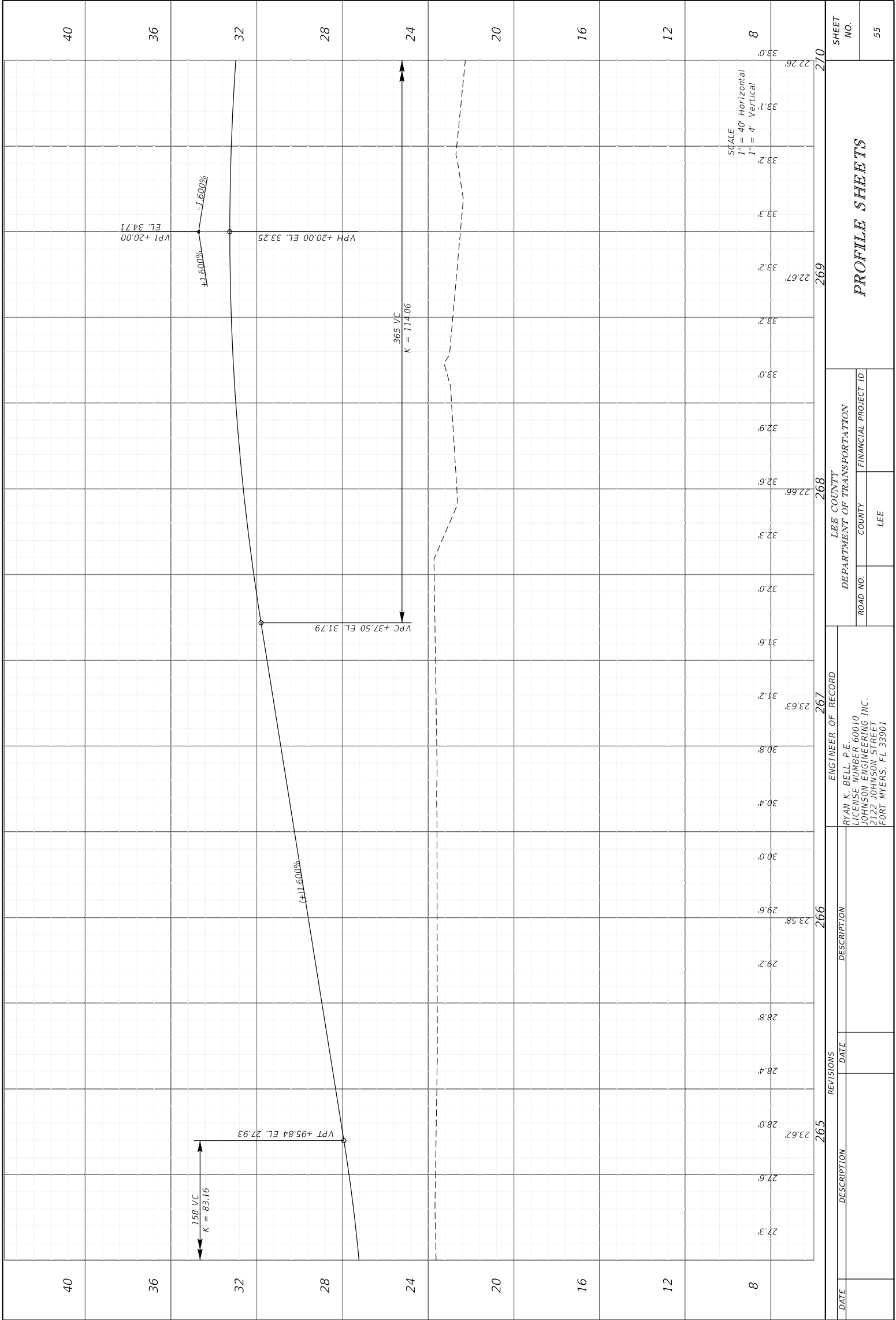
REVISIONS

DATE DESCRIPTION

DATE DESCRIPTION



THE OFFICIAL RECORD OF THIS SHEET IS THE ELECTRONIC FILE DIGITALLY SIGNED AND SEALED UNDER RULE 61G15-23.004, F.A.C.



DATE	DESCRIPTION	REVISIONS	DATE	DESCRIPTION

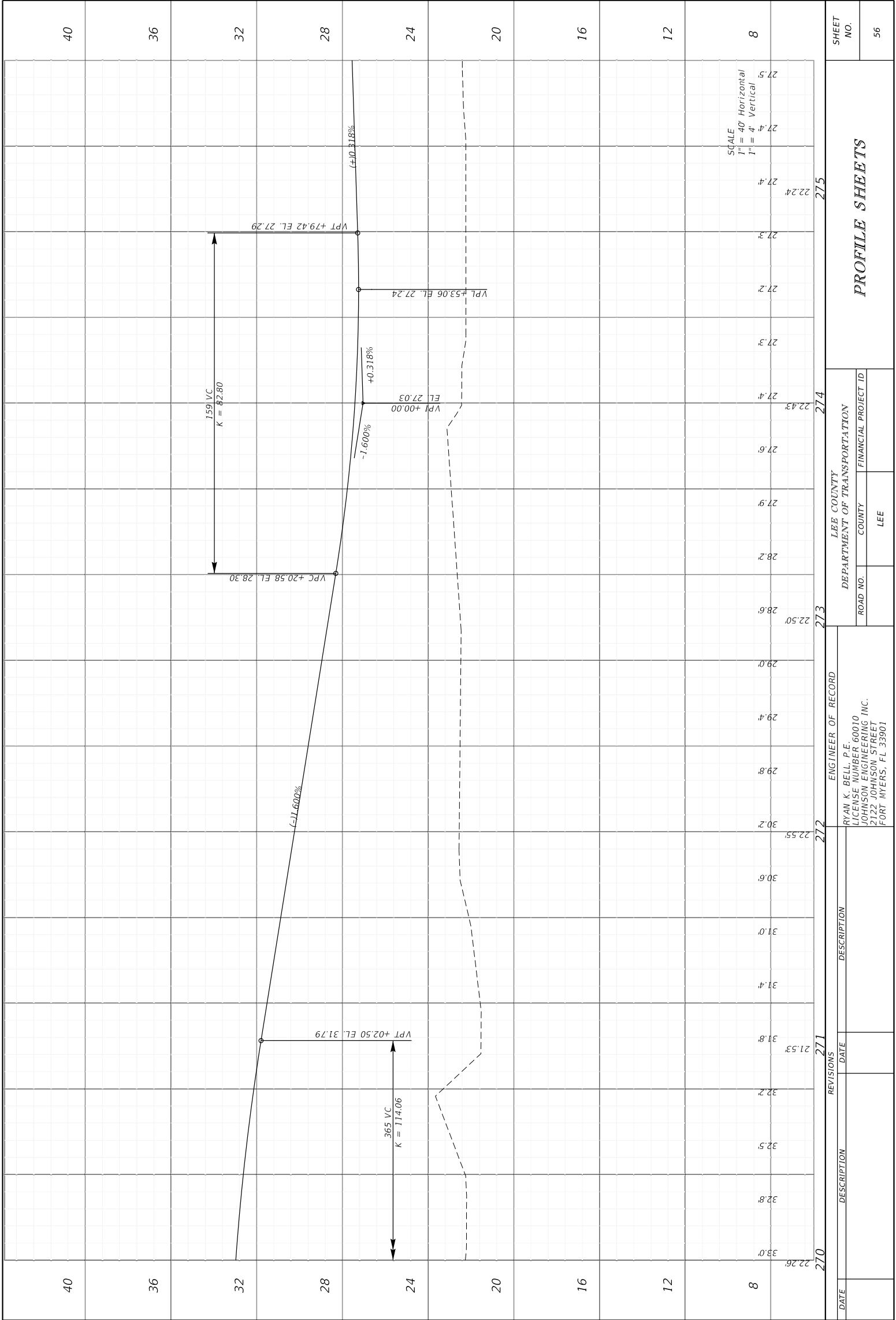
ENGINEER OF RECORD		LEE COUNTY	
RYAN K. BELL, P.E. 60010		DEPARTMENT OF TRANSPORTATION	
LICENSE NUMBER 60010		ROAD NO.	
JOHNSON ENGINEERING INC.		COUNTY	
2122 JOHNSON STREET		LEE	
FORT WALTERS, FL 33801		FINANCIAL PROJECT ID	

SHEET NO.	270
	269
	268
	267
	266
	265

8	33.0	22.26
12	33.1	22.26
16	33.2	22.67
20	33.3	22.67
24	33.2	22.67
28	33.2	22.66
32	32.9	22.66
36	32.6	22.66
40	32.3	22.66

PROFILE SHEETS

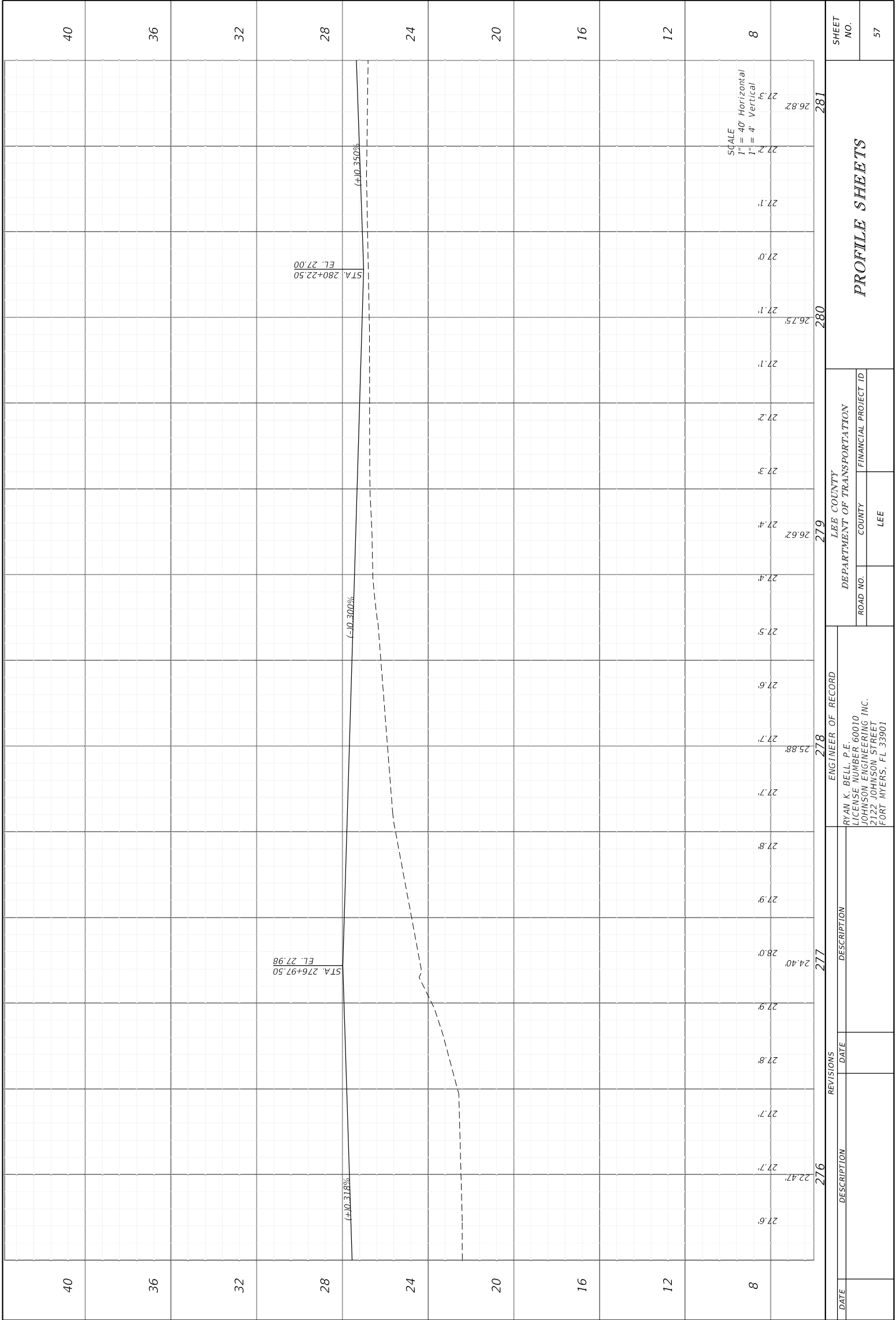
THE OFFICIAL RECORD OF THIS SHEET IS THE ELECTRONIC FILE DIGITALLY SIGNED AND SEALED UNDER RULE 61G15-23.004, F.A.C.



REVISIONS		ENGINEER OF RECORD		DEPARTMENT OF TRANSPORTATION		SHEET NO.	
DATE	DESCRIPTION	DATE	DESCRIPTION	ROAD NO.	COUNTY	FINANCIAL PROJECT ID	
					LEE		56
					LEE		
					LEE		

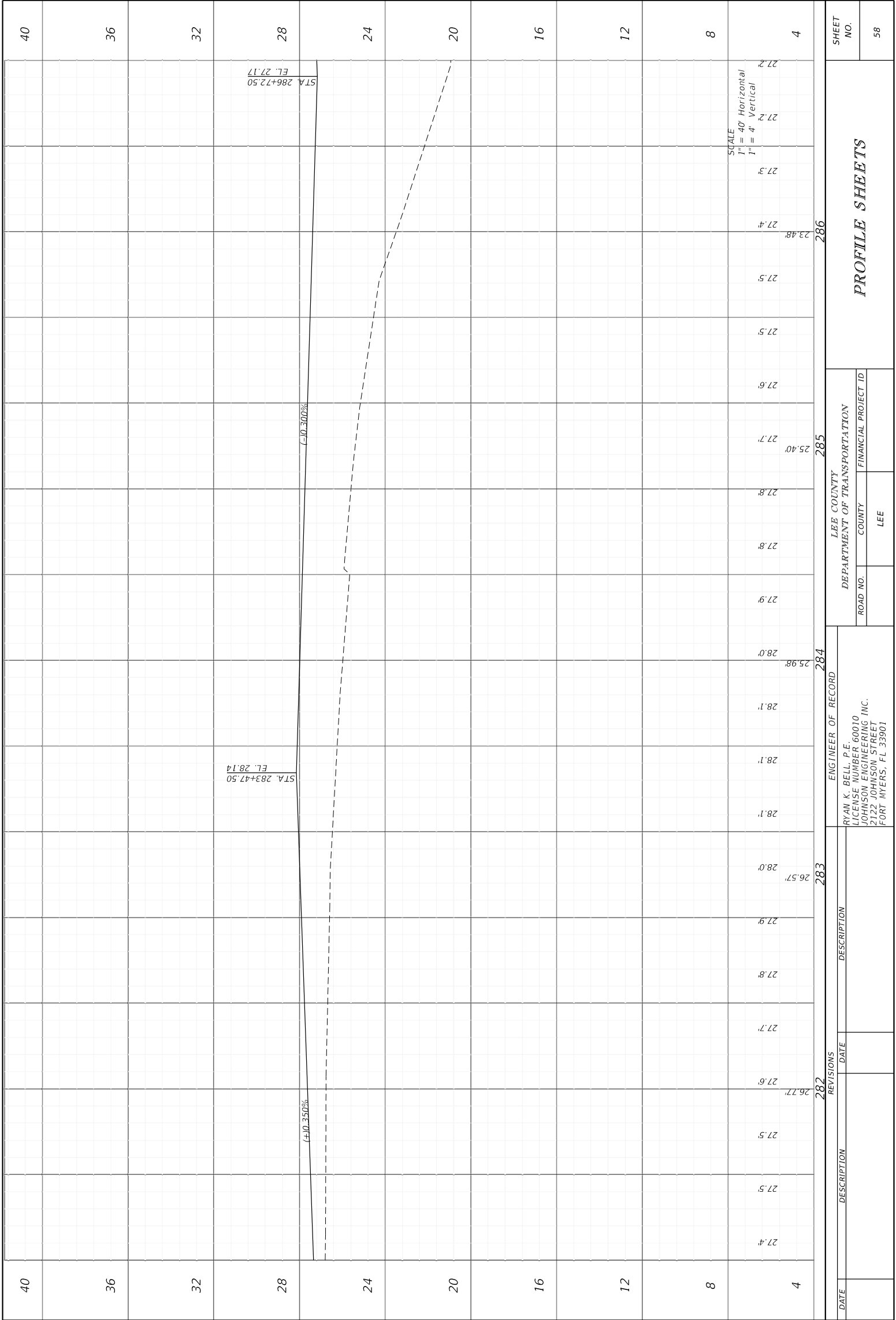
PROFILE SHEETS

THE OFFICIAL RECORD OF THIS SHEET IS THE ELECTRONIC FILE DIGITALLY SIGNED AND SEALED UNDER RULE 61G15-23.004, F.A.C.



DATE	DESCRIPTION	REVISIONS		DATE	DESCRIPTION	ENGINEER OF RECORD	DEPARTMENT OF TRANSPORTATION		SHEET NO.
		DATE	DESCRIPTION				ROAD NO.	COUNTY	
						RYAN K. BELL, P.E. LICENSE NUMBER 60010 JOHNSON ENGINEERING INC. 2122 JOHNSON STREET FORT MYERS, FL 33901	LEE COUNTY	LEE	57

PROFILE SHEETS



PROFILE SHEETS

LEE COUNTY
DEPARTMENT OF TRANSPORTATION

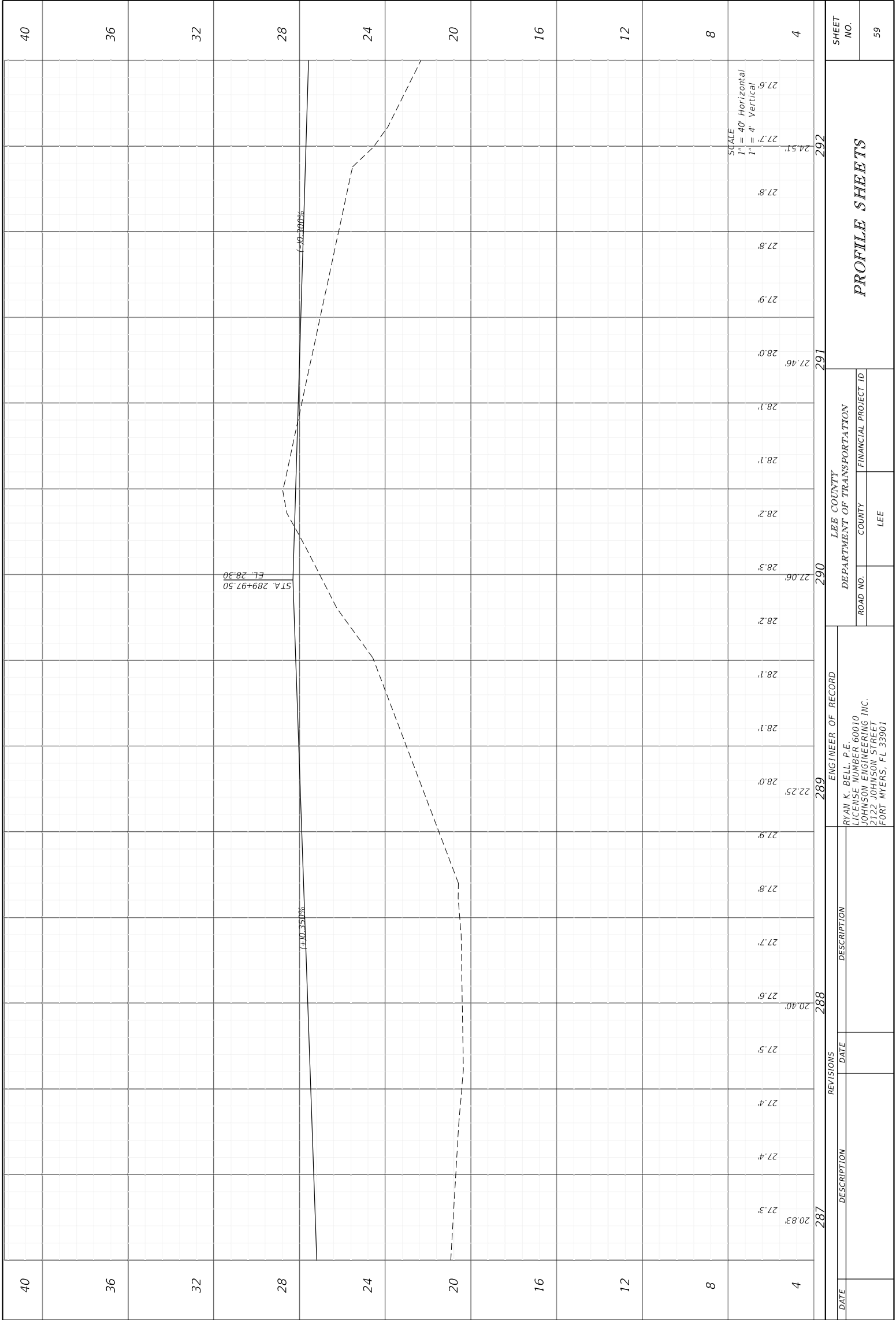
ENGINEER OF RECORD
RYAN K. BELL, P.E. 60010
LICENSE NUMBER
JOHNSON ENGINEERING INC.
2122 JOHNSON STREET
FORT WALTERS, FL 32061

ROAD NO. COUNTY FINANCIAL PROJECT ID

DATE DESCRIPTION

DATE DESCRIPTION

SHEET NO. 58



PROFILE SHEETS

LEE COUNTY
DEPARTMENT OF TRANSPORTATION

ROAD NO.
COUNTY
LEE

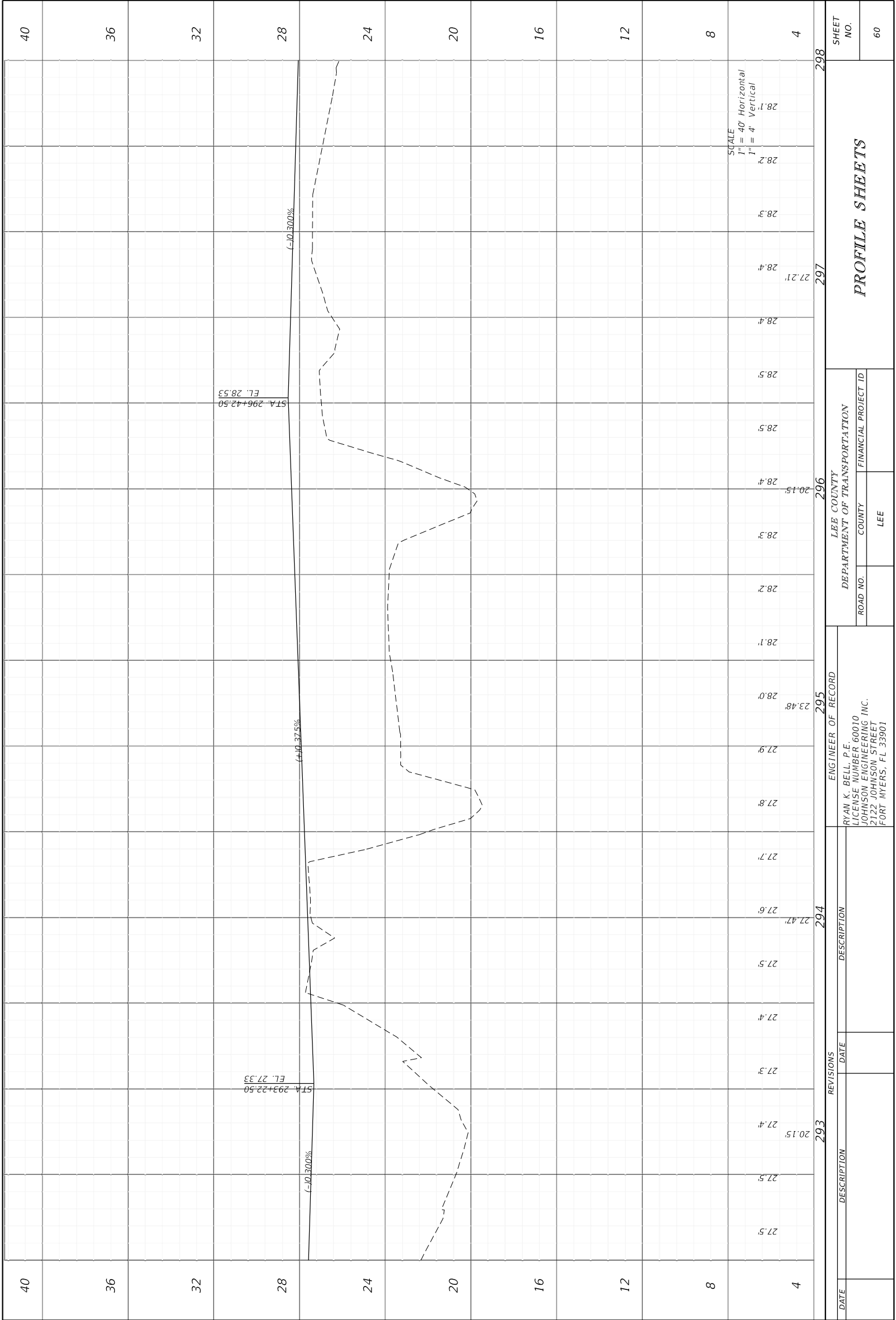
ENGINEER OF RECORD
RYAN K. BELL, P.E. 60010
LORISE, NUMBER 6
JOHNSON ENGINEERING INC.
2122 JOHNSON STREET
FORT WALTERS, FL 33801

REVISIONS

DATE	DESCRIPTION

DATE	DESCRIPTION

SHEET NO.
59



PROFILE SHEETS

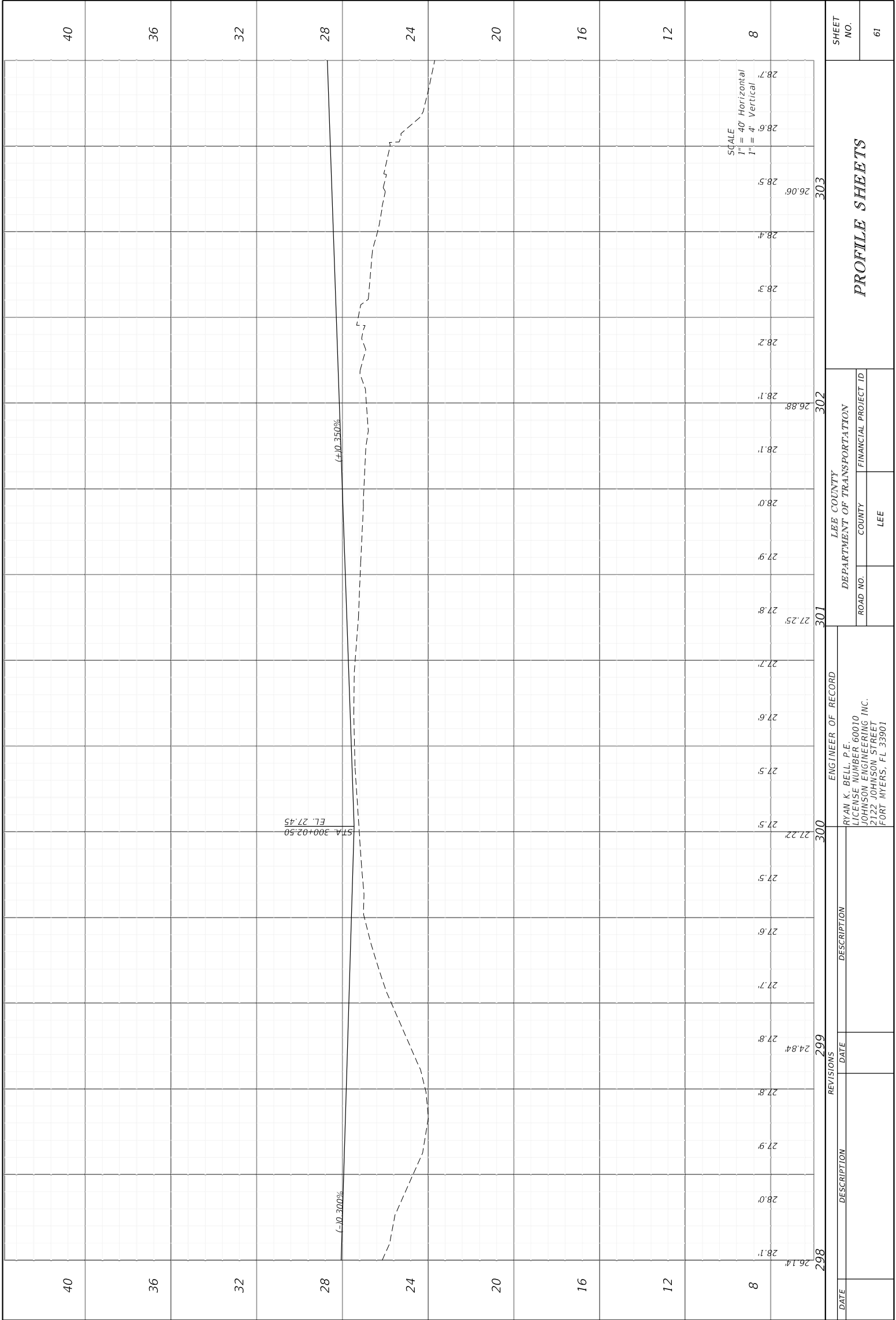
DEPARTMENT OF TRANSPORTATION
 ROAD NO. COUNTY FINANCIAL PROJECT ID
 LEE COUNTY LEE

ENGINEER OF RECORD
 RYAN K. BELL, P.E. 60010
 LICENSE NUMBER 60010
 JOHNSON ENGINEERING INC.
 2122 JOHNSON STREET
 FORT WALTERS, FL 32001

DATE	DESCRIPTION	DATE	DESCRIPTION

SHEET NO. 60

THE OFFICIAL RECORD OF THIS SHEET IS THE ELECTRONIC FILE DIGITALLY SIGNED AND SEALED UNDER RULE 61G15-23.004, F.A.C.



PROFILE SHEETS

LEE COUNTY	
DEPARTMENT OF TRANSPORTATION	
ROAD NO.	COUNTY
	LEE
	FINANCIAL PROJECT ID

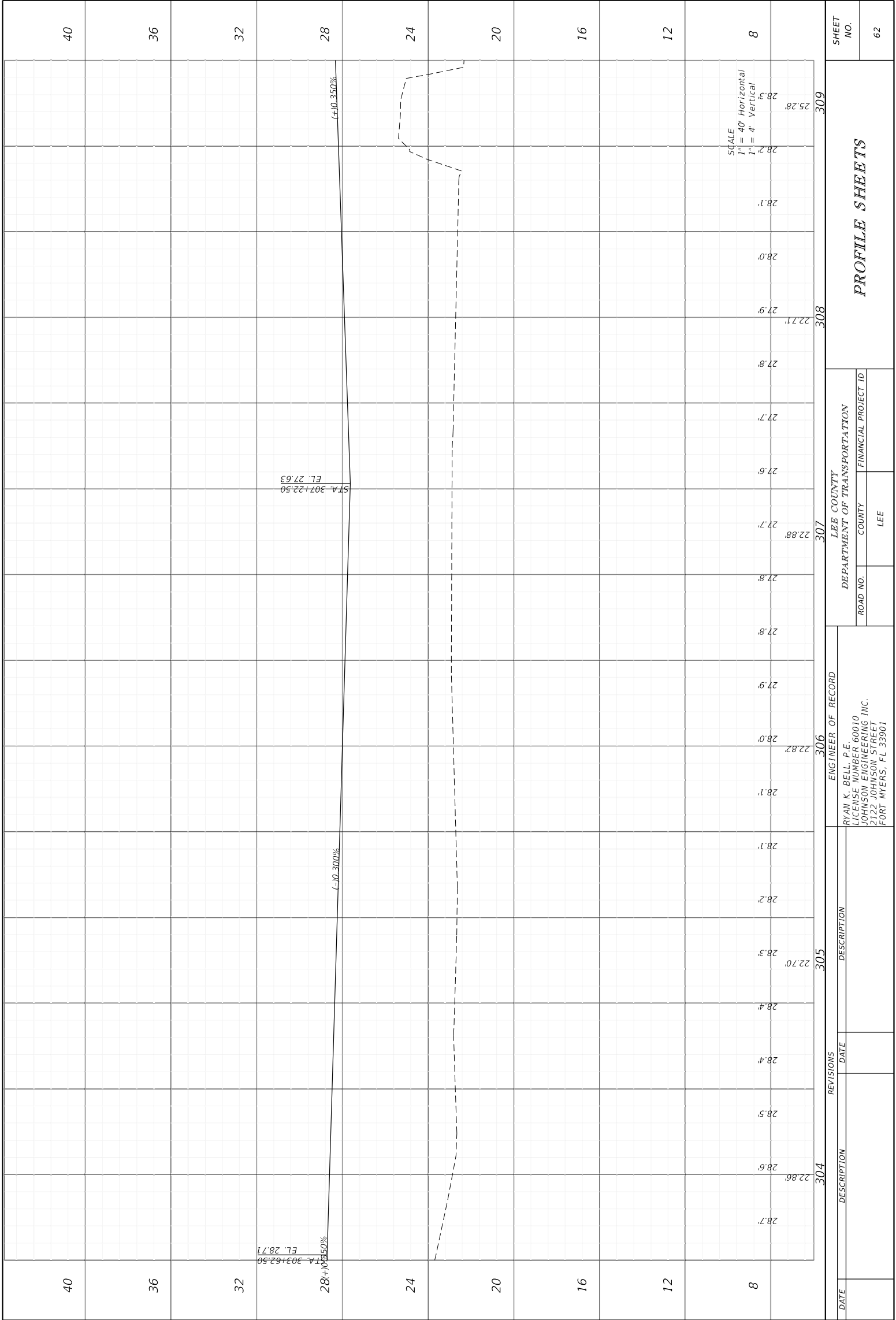
ENGINEER OF RECORD
 RYAN K. BELL, P.E. 60010
 LICENSE NUMBER 60010
 JOHNSON ENGINEERING INC.
 2122 JOHNSON STREET
 FORT MYERS, FL 33901

DATE	DESCRIPTION

DATE	DESCRIPTION
24.84	
27.8	
27.9	
27.84	

SHEET NO.	61
-----------	----

THE OFFICIAL RECORD OF THIS SHEET IS THE ELECTRONIC FILE DIGITALLY SIGNED AND SEALED UNDER RULE 61G15-23.004, F.A.C.



DATE	REVISIONS		DESCRIPTION	DESCRIPTION	ENGINEER OF RECORD	ROAD NO.	DEPARTMENT OF TRANSPORTATION		SHEET NO.
	DATE	DATE					COUNTY	FINANCIAL PROJECT ID	
					RYAN K. BELL, P.E. 60010 LICENSE NUMBER 60010 JOHNSON ENGINEERING INC. 2122 JOHNSON STREET FORT MYERS, FL 33901		LEE	LEE COUNTY	62

PROFILE SHEETS

SCALE
 1" = 40' Horizontal
 1" = 4' Vertical

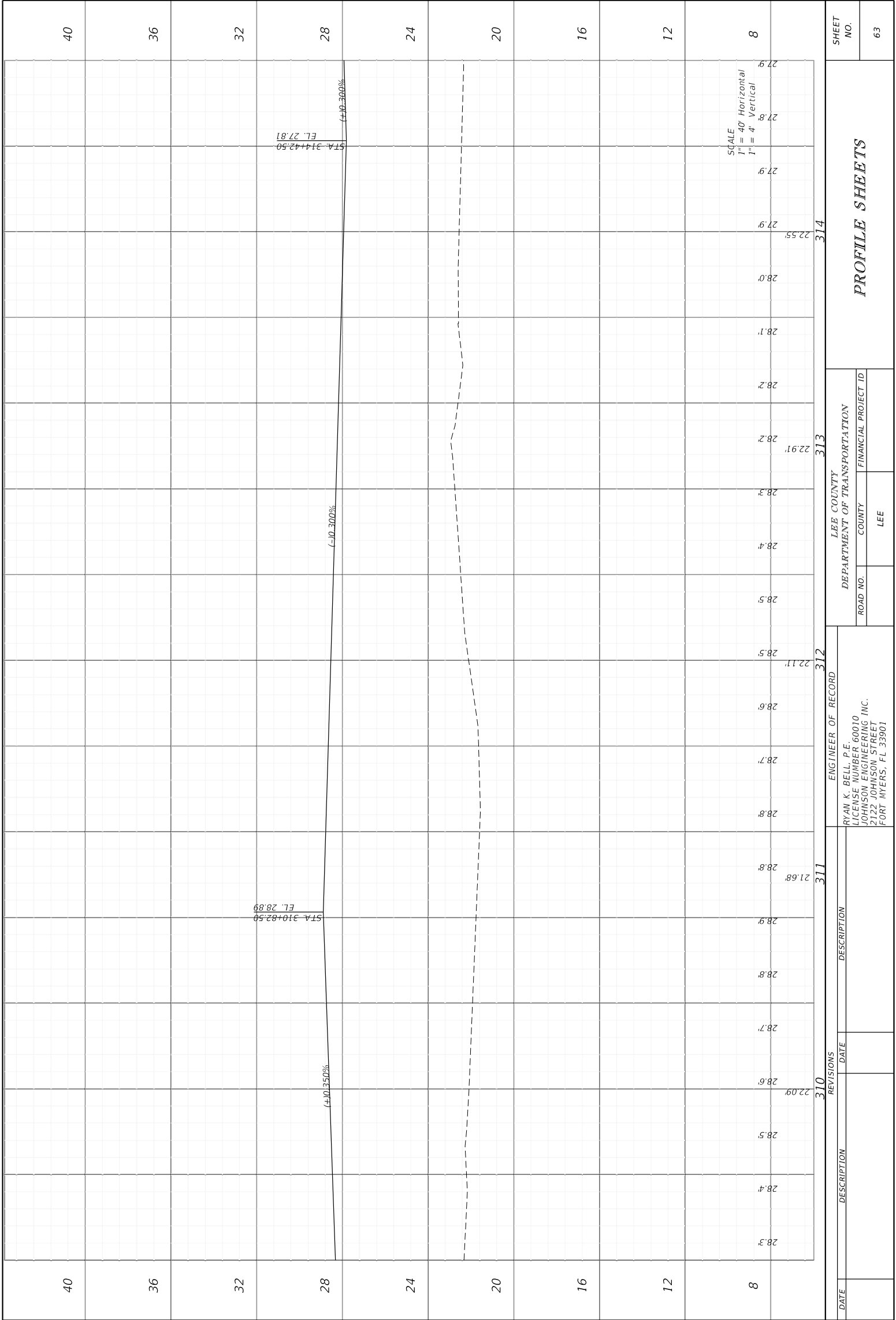
STA. 307+22.50
 EL. 27.63

STA. 303+62.50
 EL. 28.71

(-10.300%)

(+10.350%)

THE OFFICIAL RECORD OF THIS SHEET IS THE ELECTRONIC FILE DIGITALLY SIGNED AND SEALED UNDER RULE 61G15-23.004, F.A.C.



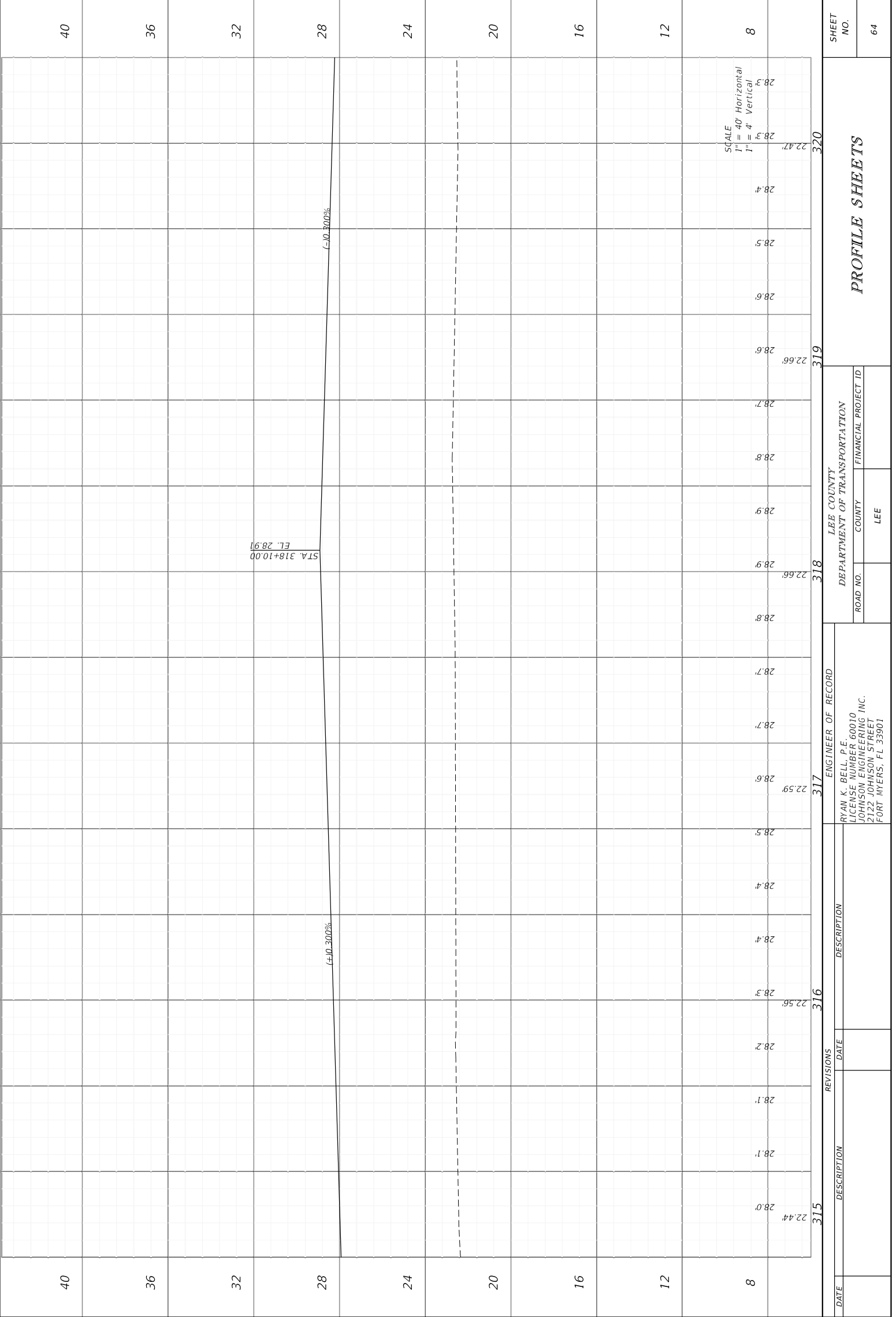
PROFILE SHEETS

LEE COUNTY DEPARTMENT OF TRANSPORTATION	
ROAD NO.	COUNTY
	LEE
	FINANCIAL PROJECT ID

ENGINEER OF RECORD
 RYAN K. BELL, P.E. 60010
 LICENSE NUMBER 60010
 JOHNSON ENGINEERING INC.
 2122 JOHNSON STREET
 FORT WALTERS, FL 32061

DATE	DESCRIPTION	DATE	DESCRIPTION

SHEET NO.
63



PROFILE SHEETS

LEE COUNTY
 DEPARTMENT OF TRANSPORTATION

ENGINEER OF RECORD
 RYAN K. BELL, P.E. 60010
 LICENSE NUMBER 60010
 JOHNSON ENGINEERING INC.
 2122 JOHNSON STREET
 FORT WALTERS, FL 32061

ROAD NO.
 COUNTY
 COUNTY

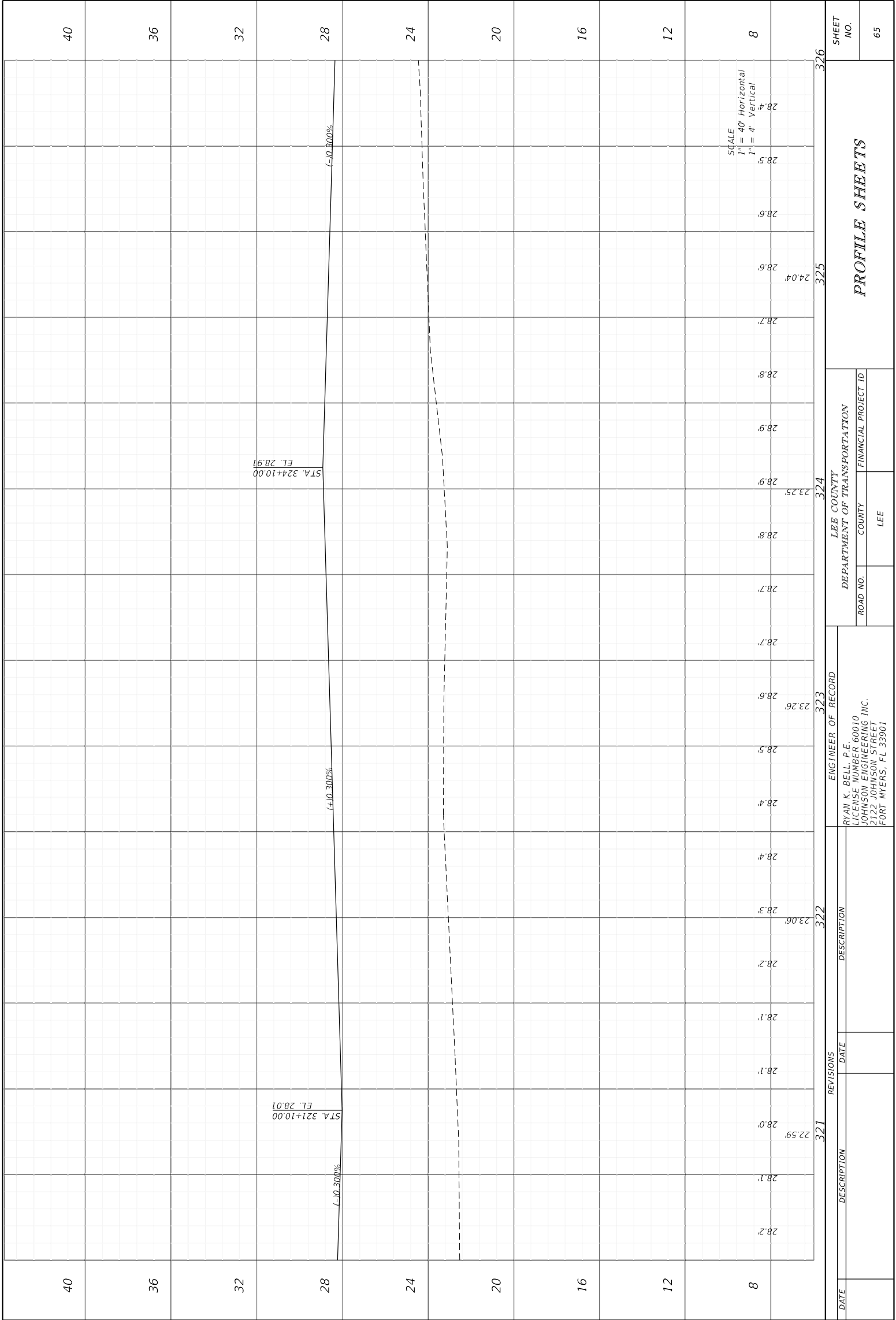
FINANCIAL PROJECT ID
 LEE

REVISIONS
 DESCRIPTION
 DATE

DATE

SHEET NO.
 64

THE OFFICIAL RECORD OF THIS SHEET IS THE ELECTRONIC FILE DIGITALLY SIGNED AND SEALED UNDER RULE 61G15-23.004, F.A.C.



DATE		DESCRIPTION	
DATE		DESCRIPTION	
REVISIONS			
DATE	DESCRIPTION	DATE	DESCRIPTION
ENGINEER OF RECORD			
RYAN K. BELL, P.E. 60010 LICENSE NUMBER 60010 JOHNSON ENGINEERING INC. 2122 JOHNSON STREET FORT WALTERS, FL 32061			
ROAD NO.		FINANCIAL PROJECT ID	
LEE COUNTY		LEE	
DEPARTMENT OF TRANSPORTATION			
LEE COUNTY			
COUNTY			
LEE			
SHEET NO.			
326			
PROFILE SHEETS			
SHEET NO.			
65			

SCALE
 1" = 40' Horizontal
 1" = 4' Vertical

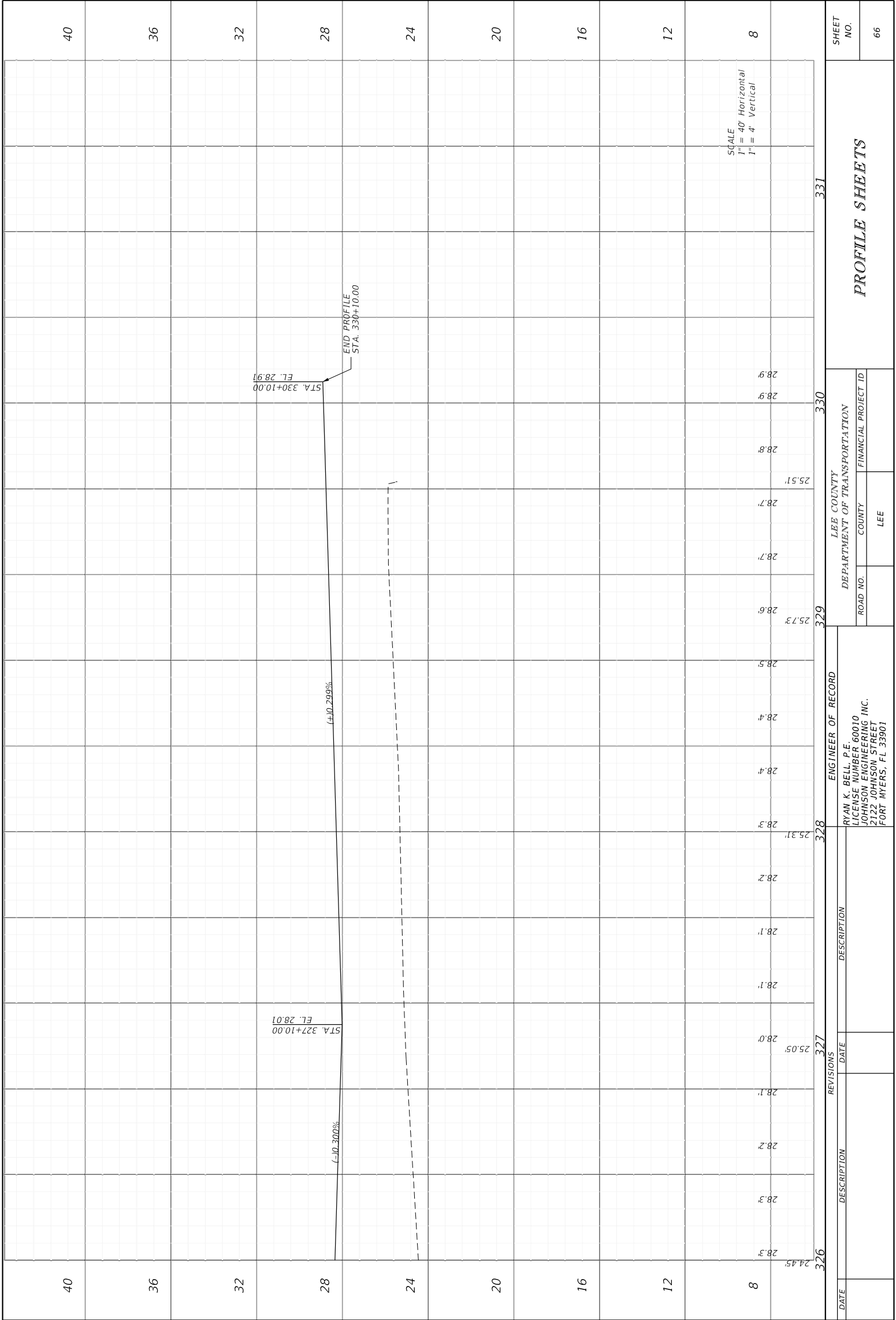
STA. 324+10.00
 EL. 28.91

STA. 321+10.00
 EL. 28.01

(-10.3000%)

(+10.3000%)

(-10.3000%)



DATE		DESCRIPTION		REVISIONS		DATE		DESCRIPTION	
ENGINEER OF RECORD RYAN K. BELL, P.E. 60010 LICENSE NUMBER 60010 JOHNSON ENGINEERING 2122 JOHNSON STREET FORT MYERS, FL 33901					DEPARTMENT OF TRANSPORTATION ROAD NO. COUNTY FINANCIAL PROJECT ID LEE COUNTY LEE				
PROFILE SHEETS									
SHEET NO. 66									



SHEET NO. 67

DRAINAGE MAP

LEE COUNTY	
DEPARTMENT OF TRANSPORTATION	
ROAD NO.	FINANCIAL PROJECT ID
COUNTY	LEE

ENGINEER OF RECORD
 RYAN K. BELL, P.E. 60010
 LAWRENCE KUMBEER
 JOHNSON ENGINEERING INC.
 2122 JOHNSON STREET
 FORT MYERS, FL 33901

REVISIONS	
DATE	DESCRIPTION



REVISIONS		ENGINEER OF RECORD		DEPARTMENT OF TRANSPORTATION		SHEET NO.	
DATE	DESCRIPTION	DATE	DESCRIPTION	ROAD NO.	COUNTY	FINANCIAL PROJECT ID	SHEET NO.
					LEE		68
			RYAN K. BELL, P.E. 60010 LICENSE NUMBER JOHNSON ENGINEERING INC. 2122 JOHNSON STREET FORT MYERS, FL 33901				
					LEE		

DRAINAGE MAP



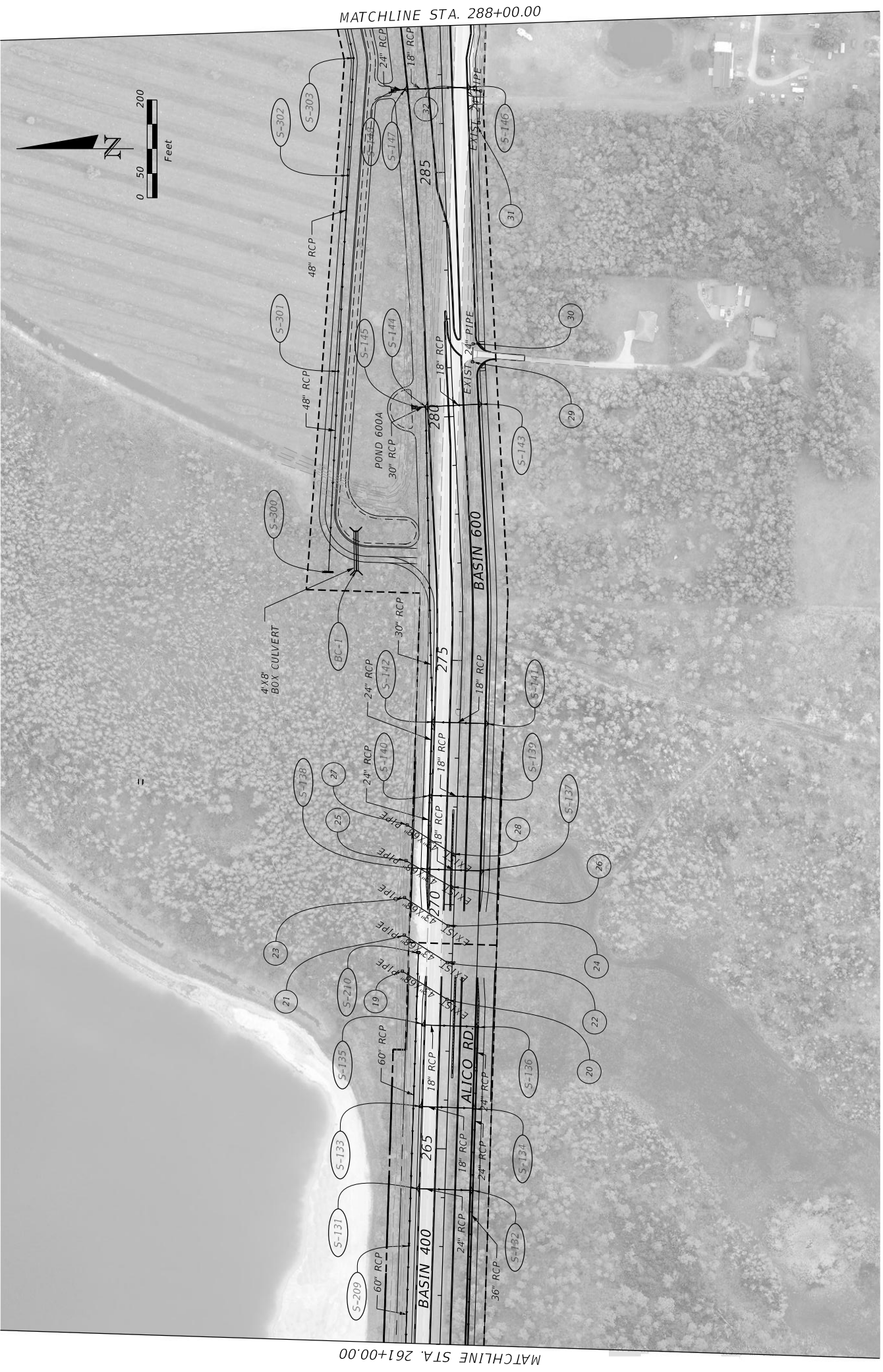
MATCHLINE STA. 261+00.00

MATCHLINE STA. 234+00.00

REVISIONS		DESCRIPTION		DATE	

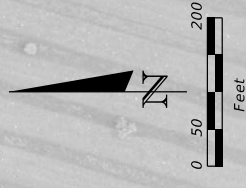
ENGINEER OF RECORD		LEE COUNTY	
RYAN K. BELL, P.E. 60010 LICENSE NUMBER JOHNSON ENGINEERING INC. 2122 JOHNSON STREET FORT MYERS, FL 33901		DEPARTMENT OF TRANSPORTATION	
		ROAD NO.	COUNTY
			LEE
		FINANCIAL PROJECT ID	

DRAINAGE MAP	
SHEET NO.	69



MATCHLINE STA. 288+00.00

MATCHLINE STA. 261+00.00



REVISIONS		ENGINEER OF RECORD		DEPARTMENT OF TRANSPORTATION		SHEET NO.	
DATE	DESCRIPTION	DATE	DESCRIPTION	ROAD NO.	COUNTY	FINANCIAL PROJECT ID	
			RYAN K. BELL, P.E. 60010 LAWSON ENGINEERING INC. 10150 N. WILSON STREET FORT MYERS, FL 33901		LEE		70
					LEE		

DRAINAGE MAP

LEE COUNTY

COUNTY

LEE

FINANCIAL PROJECT ID

DESCRIPTION

DATE

DESCRIPTION

DATE

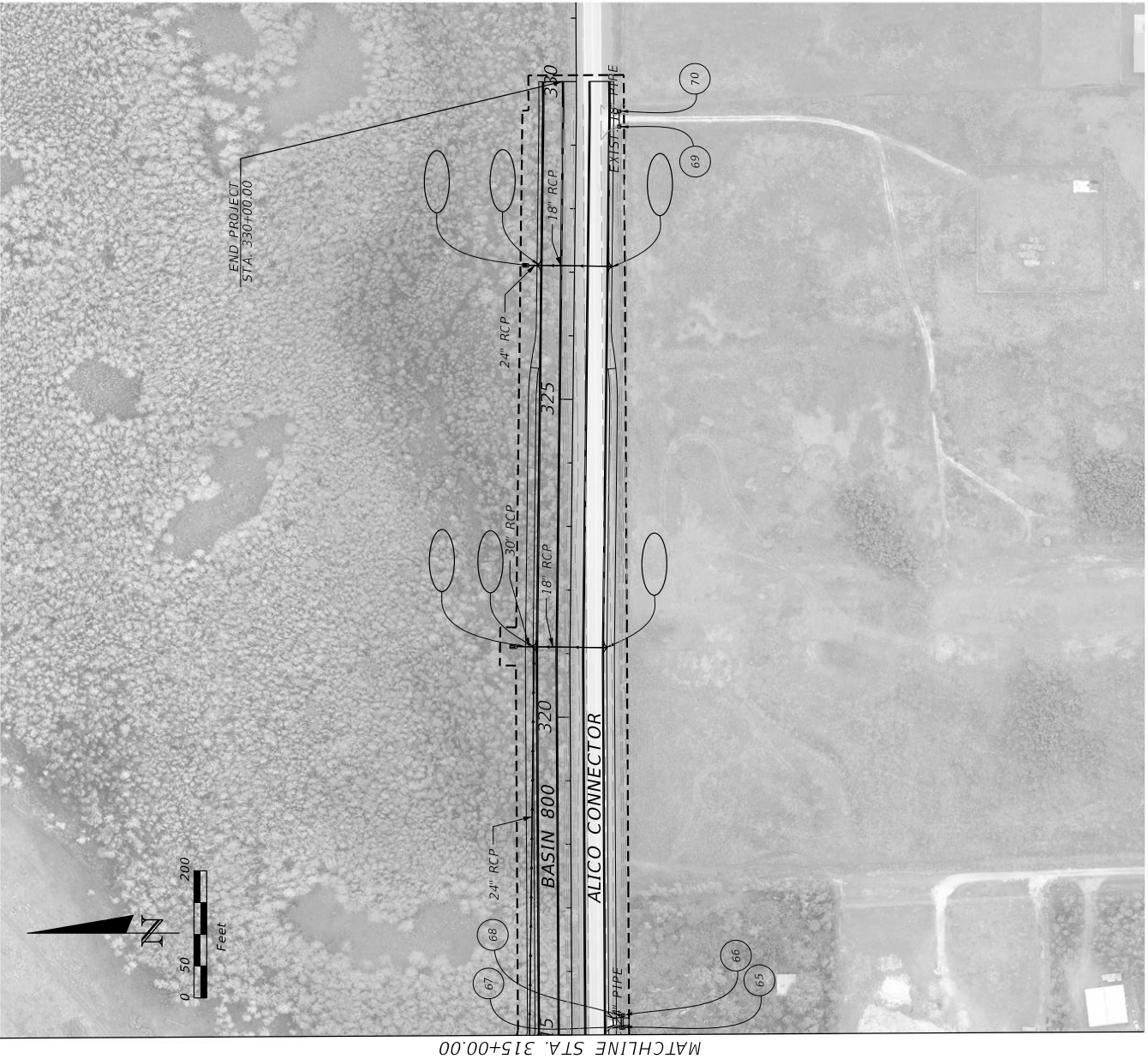


MATCHLINE STA. 288+00.00

MATCHLINE STA. 315+00.00

REVISIONS		ENGINEER OF RECORD		DEPARTMENT OF TRANSPORTATION		SHEET NO.	
DATE	DESCRIPTION	DATE	DESCRIPTION	ROAD NO.	COUNTY	FINANCIAL PROJECT ID	NO.
			RYAN K. BELL, P.E. 60010 LICENSE NUMBER 60010 JOHNSON ENGINEERING INC. 2122 JOHNSON STREET FORT MYERS, FL 33901		LEE		71
					LEE		

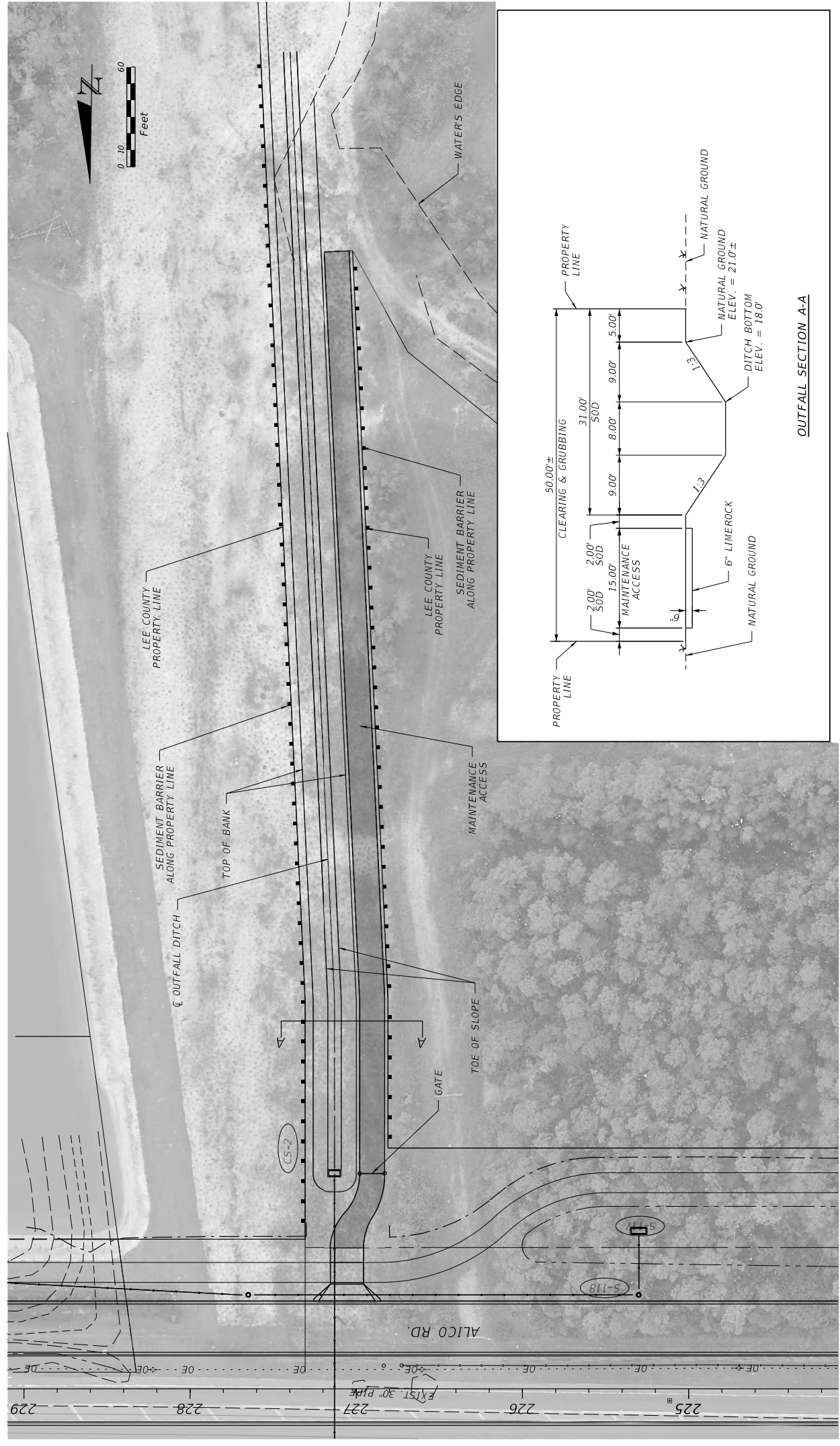
DRAINAGE MAP



EXISTING DRAINAGE STRUCTURES

EX-1 MES 18" FL 18.17	EX-17 & EX-18 66" RCP SIDEDRAIN FL W 18.85 FL E 18.86	EX-43 & EX-44 36" RCP SIDEDRAIN FL N 19.37 FL S 18.53
EX-2 CURB INLET P-6 FL 19.04	EX-19 & EX-20 43"x68" ERCP CROSS DRAIN FL N 21.82 FL S 21.94	EX-45 & EX-46 24" RCP SIDEDRAIN FL N 21.61 FL S 21.80
EX-3 ENDWALL 48" DBL 48" RCP _s FL 16.30 (North Pipe) FL 16.50 (South Pipe)	EX-21 & EX-22 43"x68" ERCP CROSS DRAIN FL N 21.75 FL S 21.62	EX-47 & EX-48 24" RCP SIDEDRAIN FL N 21.76 FL S 21.83
EX-4 ENDWALL 48" DBL 48" RCP _s FL 16.38 (North Pipe) FL 16.82 (South Pipe)	EX-23 & EX-24 43"x68" ERCP CROSS DRAIN FL N 22.12 FL S 21.79	EX-49 & EX-50 36" RCP SIDEDRAIN W/ MES FL N 20.50 FL S 20.35
EX-5 CURB INLET P-6 18" RCP FL 18.91	EX-25 & EX-26 43"x68" ERCP CROSS DRAIN FL N 21.89 FL S 22.23	EX-51 & EX-52 24X35 CMP SIDEDRAIN FL W 22.42 FL E 22.28
EX-6 MES 18" 18" RCP FL 17.88'	EX-27 & EX-28 43"x68" ERCP CROSS DRAIN FL N 21.82 FL S 21.94	EX-53 & EX-54 48" CMP SIDEDRAIN FL W 19.68 FL E 19.87
EX-7 DBI TYPE C W/ SLOT 18" RCP FL 17.74	EX-29 & EX-30 24" RCP SIDEDRAIN FL W 21.37 FL E 21.03	EX-55 & EX-56 24" RCP SIDEDRAIN FL W 21.93 FL E 21.94
EX-8 CURB INLET TYPE 2 18" RCP FL 17.76	EX-31 & EX-32 24" RCP SIDEDRAIN FL W 19.32 FL E 20.23	EX-59 & EX-60 72" RCP CROSSDRAIN FL N 18.17 FL S 18.10
EX-9 & EX-10 60" MES SIDEDRAIN FL W 16.40 FL E 16.28	EX-33 & EX-34 30" POLY/24" RCP SIDEDRAIN FL W 21.23 FL E 20.62	EX-61 & EX-62 72" RCP CROSSDRAIN FL N 18.04 FL S 18.08
EX-11 & EX-12 30" RCP SIDEDRAIN FL W 21.41 FL E 21.28	EX-35 & EX-36 8" PVC SIDEDRAIN FL N 23.02 FL S 22.94	EX-63 & EX-64 72" RCP CROSSDRAIN FL N 18.11 FL S 18.21
EX-13 DBI TYPE C FL 17.00	EX-37 & EX-38 30" RCP SIDEDRAIN FL W 22.50 FL E 23.69	EX-65 & EX-66 24" CMP SIDEDRAIN (DBL PIPE) FL W 22.61 FL E 22.32
EX-14 DBI TYPE C FL 17.00	EX-39 & EX-40 36" CMP SIDEDRAIN FL N 20.29 FL S 20.38	EX-67 & EX-68 24" CMP SIDEDRAIN (DBL PIPE) FL W 22.67 FL E 22.23
EX-15 & EX-16 66" RCP SIDEDRAIN FL W 17.19 FL E 17.03	EX-41 & EX-42 48" RCP SIDEDRAIN FL N 21.29 FL S 20.18	EX-69 & EX-70 18" RCP SIDEDRAIN FL W 23.25 FL E 23.11

DATE		REVISIONS		ENGINEER OF RECORD		DEPARTMENT OF TRANSPORTATION		SHEET NO.	
				RYAN K. BELL, P.E. 60010 JOHNSON ENGINEERING INC. 2122 JOHNSON STREET FORT MYERS, FL 33901		LEE COUNTY		72	
						ROAD NO.	COUNTY	DRAINAGE MAP	
							LEE		



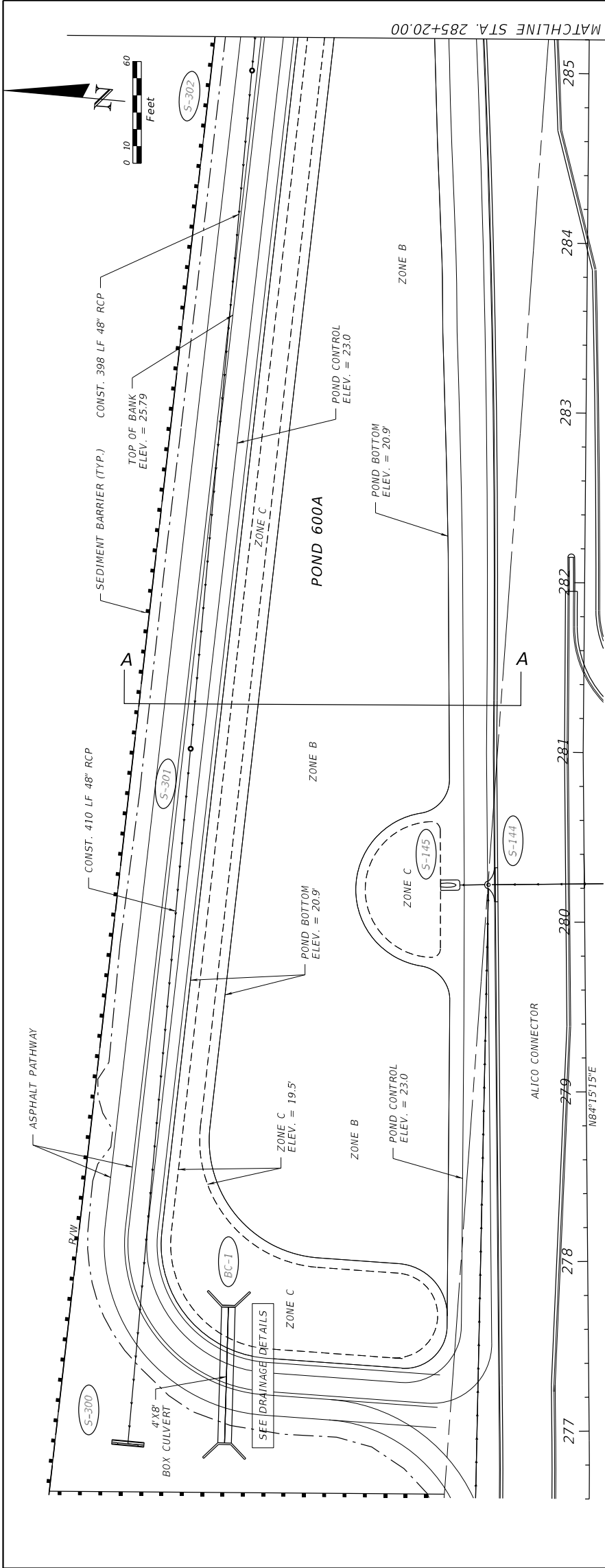
REVISIONS		DESCRIPTION		DATE	

DATE	DESCRIPTION	ENGINEER OF RECORD	LEE COUNTY	DEPARTMENT OF TRANSPORTATION	OUTFALL DETAILS	SHEET NO.
		RYAN K. BELL, P.E. 60010 LORISE KUMBEKOG JOHNSON ENGINEERING INC. 2122 JOHNSON STREET FORT WALTERS, FL 32061	LEE			

ROAD NO.	COUNTY	FINANCIAL PROJECT ID	SHEET NO.
	LEE		74

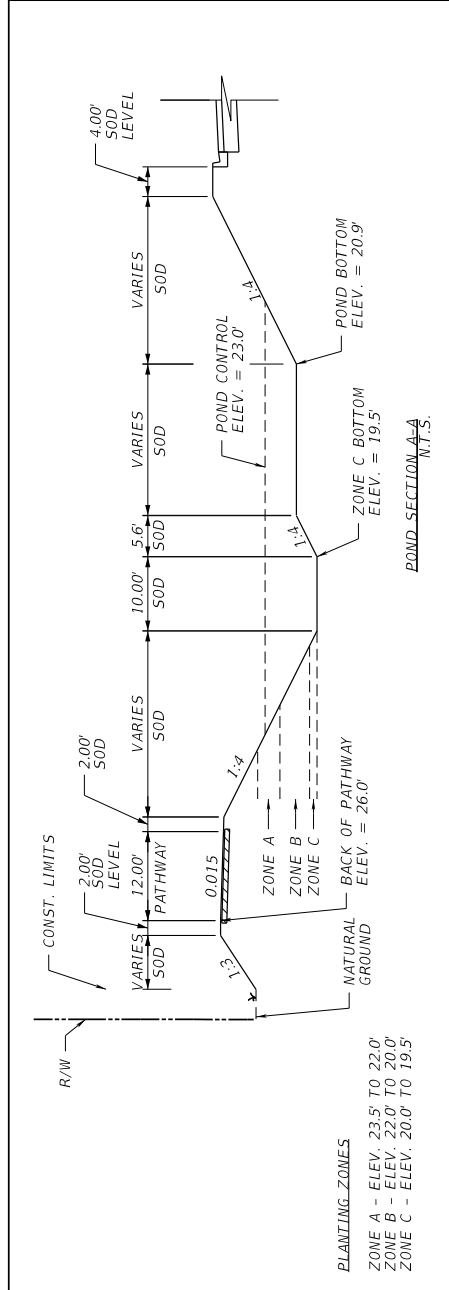


REVISIONS		ENGINEER OF RECORD		DEPARTMENT OF TRANSPORTATION		SHEET NO.	
DATE	DESCRIPTION	DATE	DESCRIPTION	ROAD NO.	COUNTY	FINANCIAL PROJECT ID	NO.
			RYAN K. BELL, P.E. 60010 LOUISA KUMBEY, P.E. 60010 JOHNSON ENGINEERING INC. 2122 JOHNSON STREET FORT MYERS, FL 33901		LEE		75
				POND DETAILS			



Filter Marsh Planting Plan

Common Name	Scientific Name	Minimum Size	Spacing	Est. Quantity
PLANTING ZONE A, XX ac.				
Sand coggrass?	<i>Spartina bakeri</i>	1 gal.	3' O.C.	
Sea purslane	<i>Tripsacum dasytyloides</i>	bare root	3' O.C.	
Yellow canna	<i>Canna flaccida</i>	1 gal.	3' O.C.	
Knotweed	<i>Eleocharis interstincta</i>	bare root	3' O.C.	
				Total: 0
PLANTING ZONE B, XX ac.				
Alligator flag	<i>Thalia geniculata</i>	bare root	3' O.C.	
Pickersweed	<i>Pontederia cordata</i>	bare root	3' O.C.	
Soft rush	<i>Juncus effusus</i>	bare root	3' O.C.	
Yellow canna	<i>Canna flaccida</i>	bare root	3' O.C.	
Blue rush	<i>Scirpus sp.</i>	bare root	3' O.C.	
Arrowhead	<i>Sagittaria lancifolia</i>	bare root	3' O.C.	
				Total: 0
PLANTING ZONE C, XX ac.				
Spatterdock	<i>Nuphar uricum</i>	1 gal. or 18 inches	5' O.C.	
Pig Scaevola	<i>Nymphaea aquatica</i>	1 gal. or 18 inches	5' O.C.	
Flag waterlily	<i>Nymphaea colorata</i>	1 gal. or 18 inches	5' O.C.	
				Total: 0



POND SECTION A-A
N.T.S.

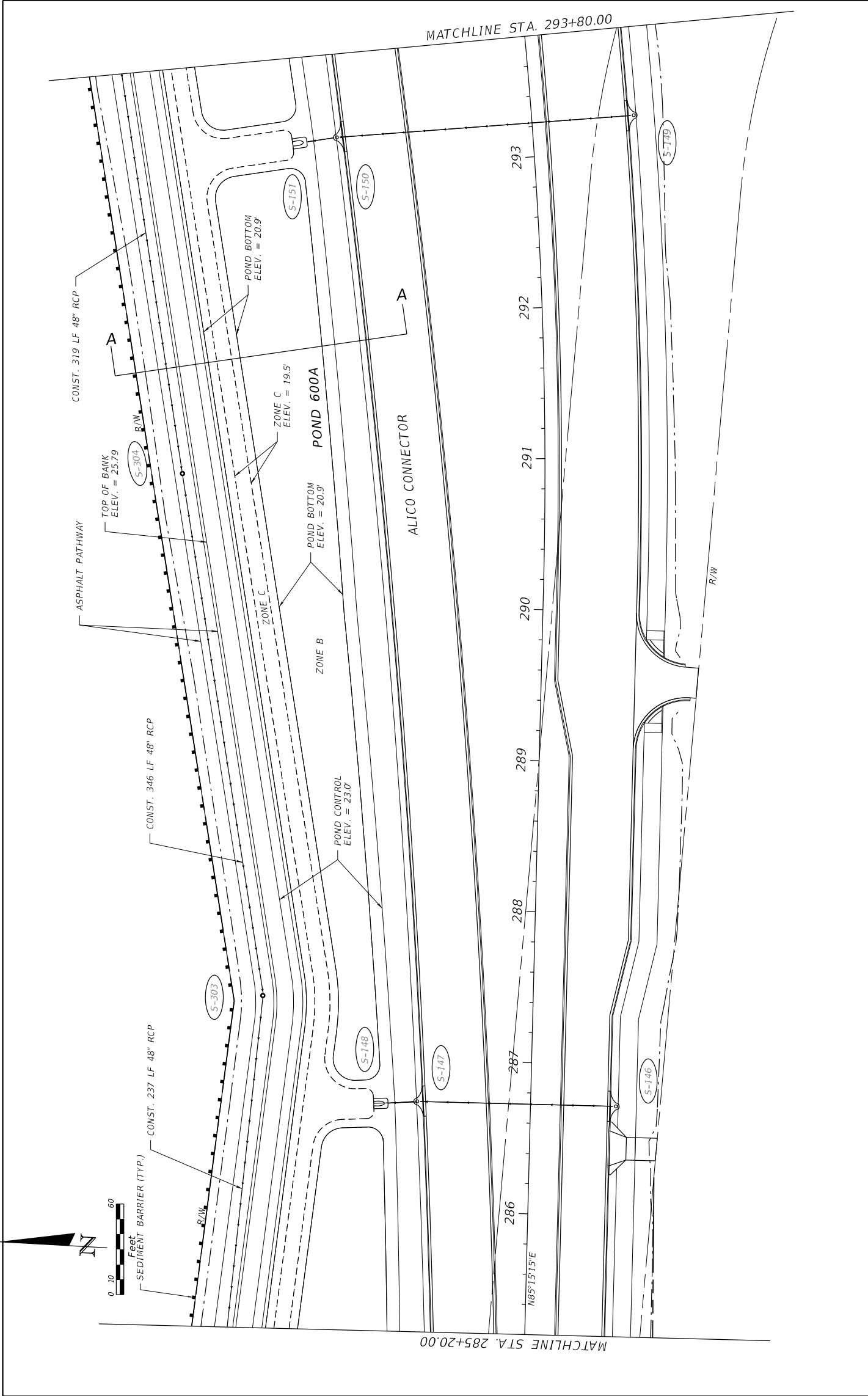
REVISIONS		DESCRIPTION	DATE

DATE	DESCRIPTION	REVISIONS	DATE	DESCRIPTION

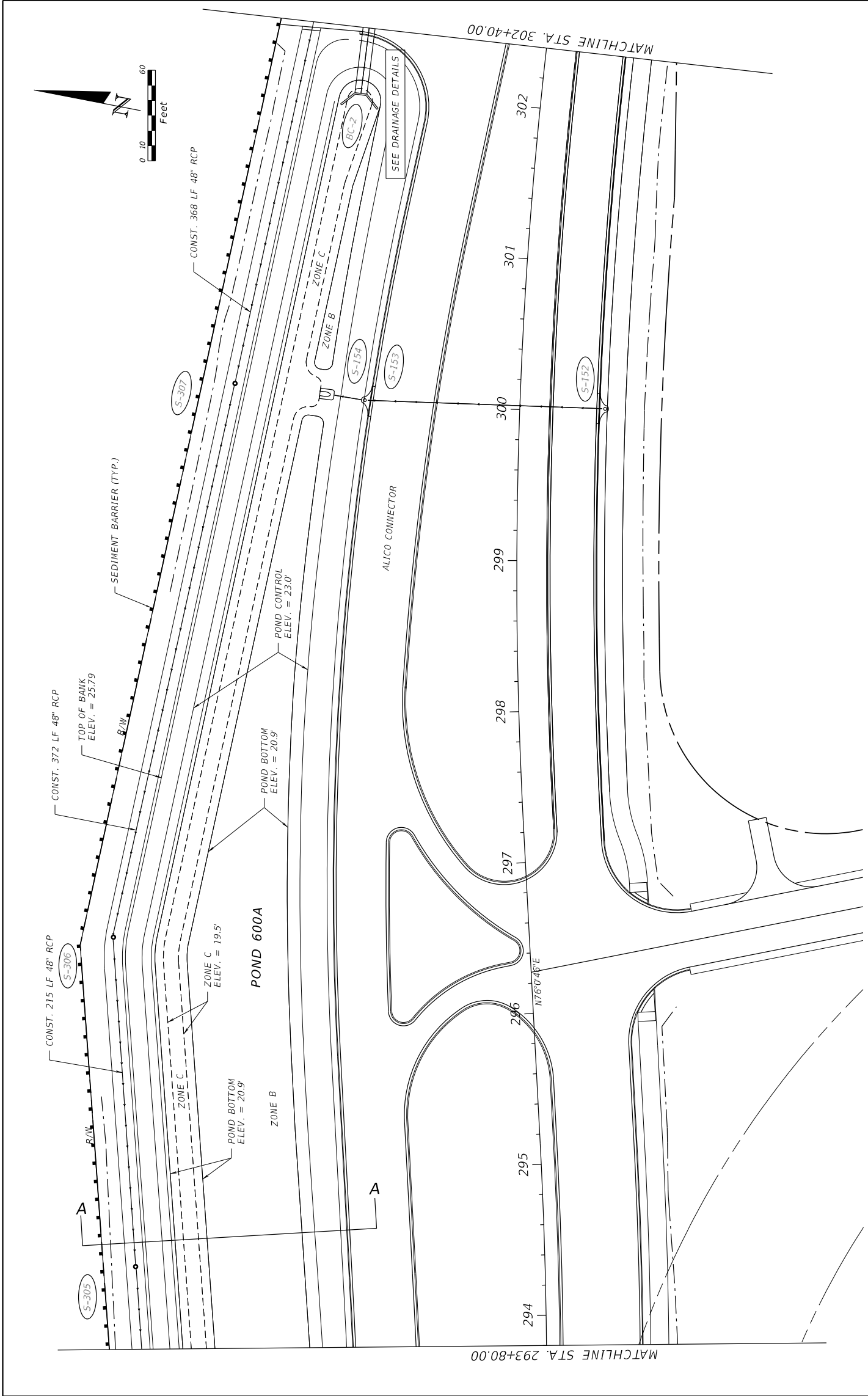
ENGINEER OF RECORD		DEPARTMENT OF TRANSPORTATION	
RYAN K. BELL, P.E. 60010 LICENSE NUMBER		ROAD NO.	COUNTY
JOHNSON ENGINEERING INC. 2122 JOHNSON STREET FORT MYERS, FL 33901			LEE

LEE COUNTY		FINANCIAL PROJECT ID	

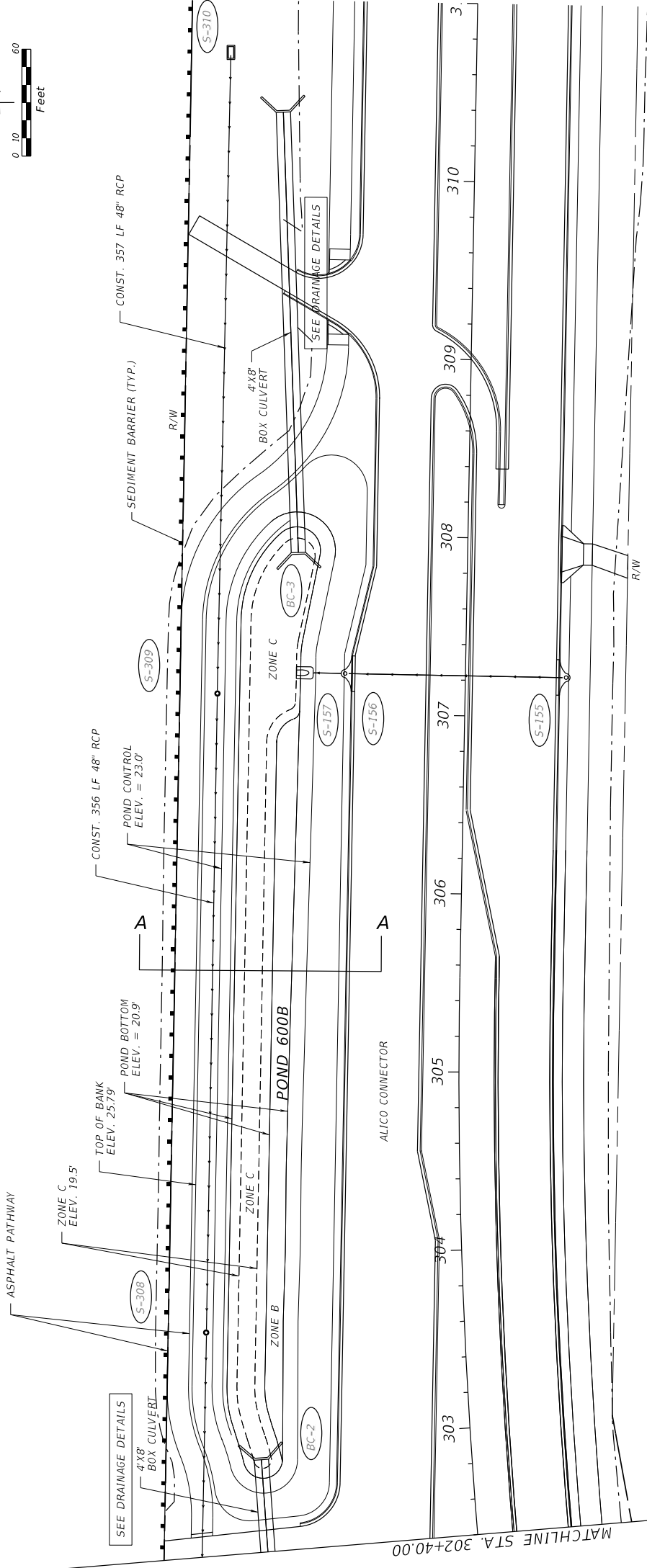
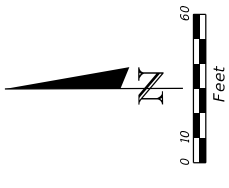
SHEET NO.		POND DETAILS	
76			



REVISIONS		ENGINEER OF RECORD		DEPARTMENT OF TRANSPORTATION		SHEET NO.	
DATE	DESCRIPTION	DATE	DESCRIPTION	ROAD NO.	COUNTY	FINANCIAL PROJECT ID	
			RYAN K. BELL, P.E. 60010 LICENSE NUMBER JOHNSON ENGINEERING INC. 2122 JOHNSON STREET FORT MYERS, FL 33901		LEE		77
				LEE COUNTY		POND DETAILS	

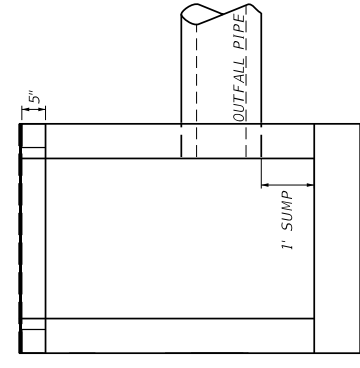


REVISIONS		DESCRIPTION	DATE	DESCRIPTION	ENGINEER OF RECORD	DEPARTMENT OF TRANSPORTATION		SHEET NO.
DATE	DESCRIPTION					ROAD NO.	COUNTY	
					RYAN K. BELL, P.E. 60010 LICENSE NUMBER JOHNSON ENGINEERING INC. 2122 JOHNSON STREET FORT MYERS, FL 33901	LEE	LEE	78
POND DETAILS								

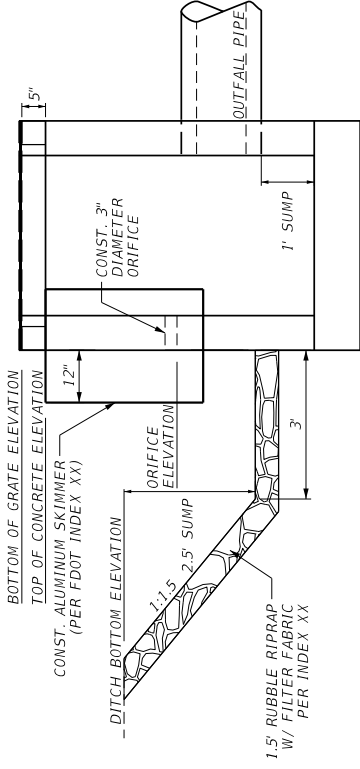


REVISIONS		ENGINEER OF RECORD		DEPARTMENT OF TRANSPORTATION		SHEET NO.
DATE	DESCRIPTION	DATE	DESCRIPTION	ROAD NO.	FINANCIAL PROJECT ID	
			RYAN K. BELL, P.E. 60010 LICENSE NUMBER JOHNSON ENGINEERING INC. 2122 JOHNSON STREET FORT MYERS, FL 33901			79
				LEE COUNTY		
				COUNTY		
				LEE		

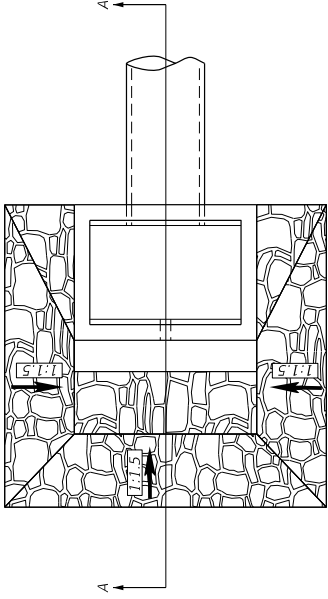
POND DETAILS



SECTION "AA" WITHOUT ORIFICE



SECTION "AA" WITH ORIFICE

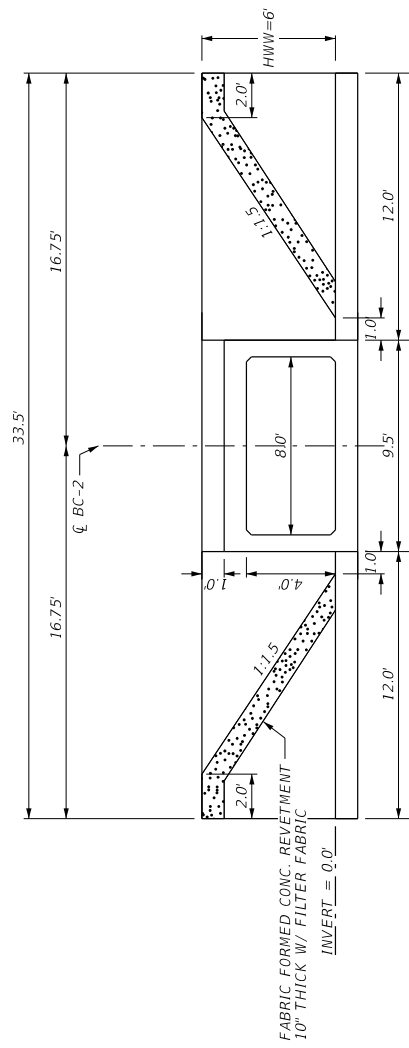


PLAN VIEW

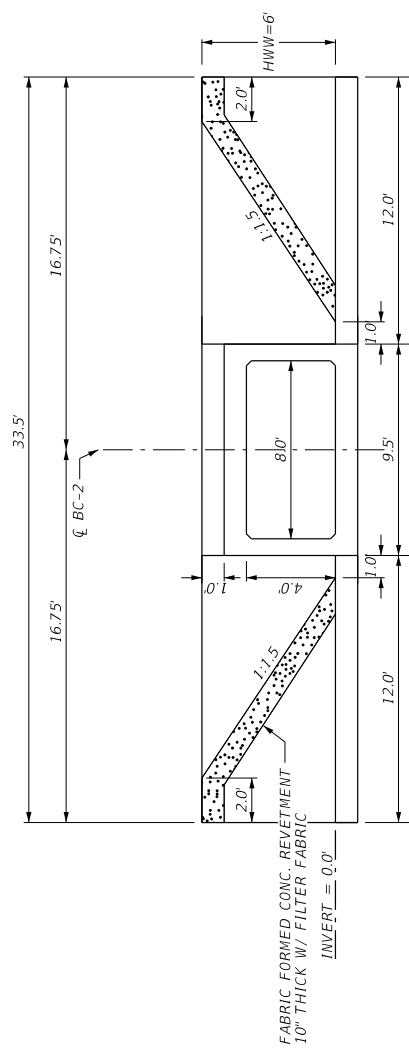
SUMMARY OF CONTROL STRUCTURES

CONTROL STRUCTURE	ORIFICE ELEV.	DETENTION BOTTOM ELEV.	TOP OF CONCRETE ELEV.	BOTTOM OF RAISED GRATE ELEV.	BOX TYPE	OUTFALL PIPE SIZE (INCHES)	OUTFALL INVERT	COMMENT

REVISIONS <table border="1" style="width: 100%; border-collapse: collapse;"> <thead> <tr> <th style="width: 20%;">DATE</th> <th style="width: 80%;">DESCRIPTION</th> </tr> </thead> <tbody> <tr> <td> </td> <td> </td> </tr> </tbody> </table>		DATE	DESCRIPTION			ENGINEER OF RECORD RYAN K. BELL, P.E. 60010 LICENSE NUMBER JOHNSON ENGINEERING INC. 2122 JOHNSON STREET FORT MYERS, FL 33901	
DATE	DESCRIPTION						
DEPARTMENT OF TRANSPORTATION ROAD NO. COUNTY FINANCIAL PROJECT ID		LEE COUNTY COUNTY LEE FINANCIAL PROJECT ID					
		DRAINAGE DETAILS					
		SHEET NO. 80					

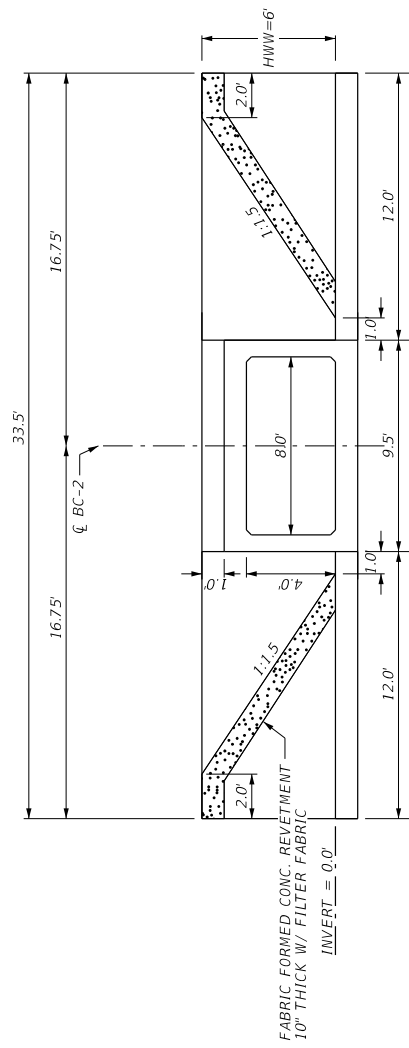


BC-5 EAST WINGWALL DETAIL

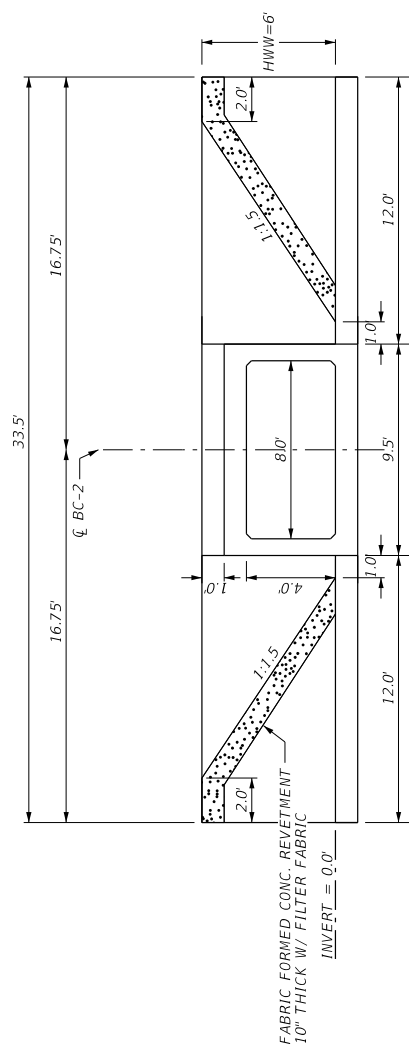


BC-5 WEST WINGWALL DETAIL

DATE		DESCRIPTION		REVISIONS		ENGINEER OF RECORD		DEPARTMENT OF TRANSPORTATION		SHEET NO.	
						RYAN K. BELL, P.E. LICENSE NUMBER 60010 JOHNSON ENGINEERING INC. 2122 JOHNSON STREET FORT MYERS, FL 33901		LEE COUNTY		81	
								COUNTY		DRAINAGE DETAILS	
								LEE			
								FINANCIAL PROJECT ID			

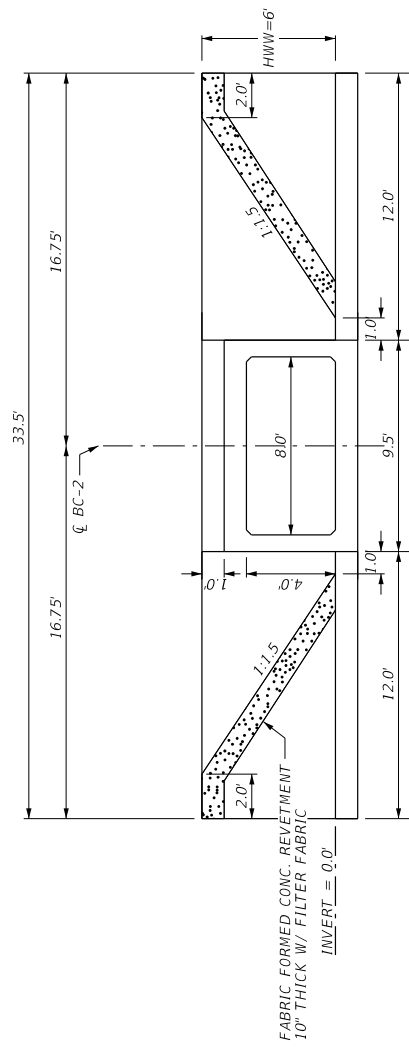


BC-5 EAST WINGWALL DETAIL

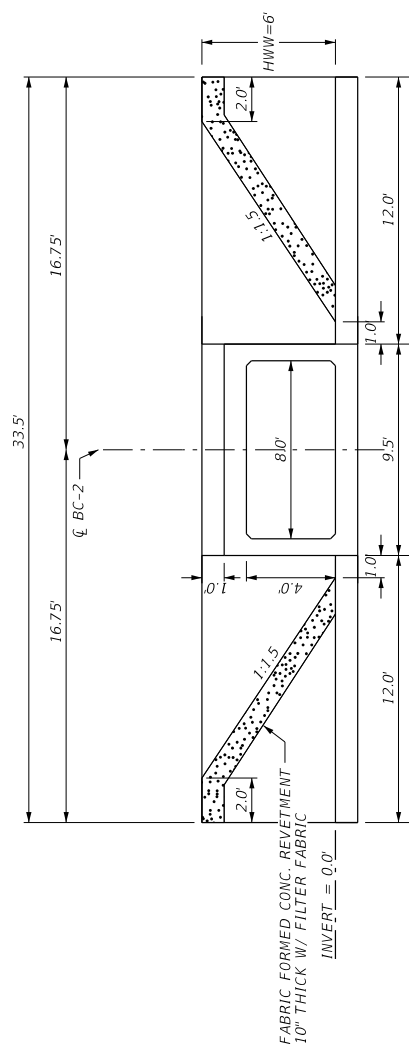


BC-5 WEST WINGWALL DETAIL

DATE		DESCRIPTION		REVISIONS		ENGINEER OF RECORD		DEPARTMENT OF TRANSPORTATION		SHEET NO.	
						RYAN K. BELL, P.E. 60010 LICENSE NUMBER JOHNSON ENGINEERING INC. 2122 JOHNSON STREET FORT WALTERS, FL 32061		LEE COUNTY		82	
								COUNTY		DRAINAGE DETAILS	
								LEE			
								FINANCIAL PROJECT ID			

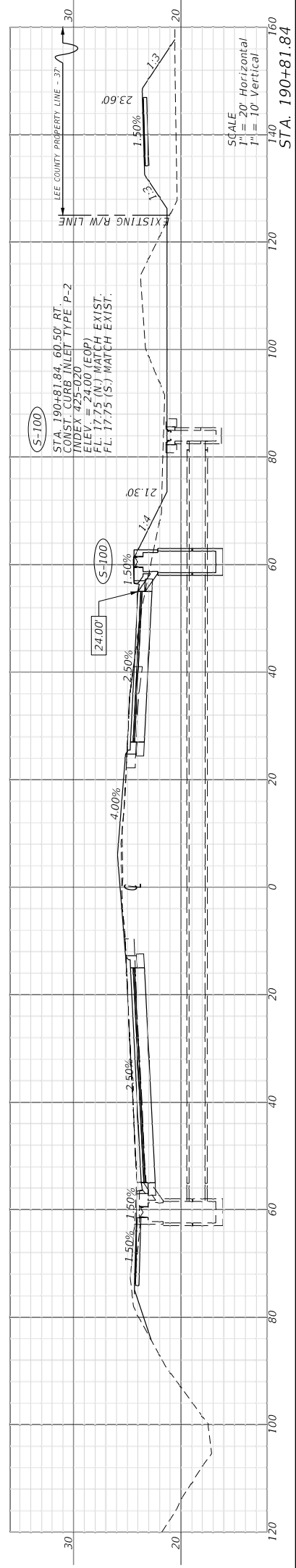
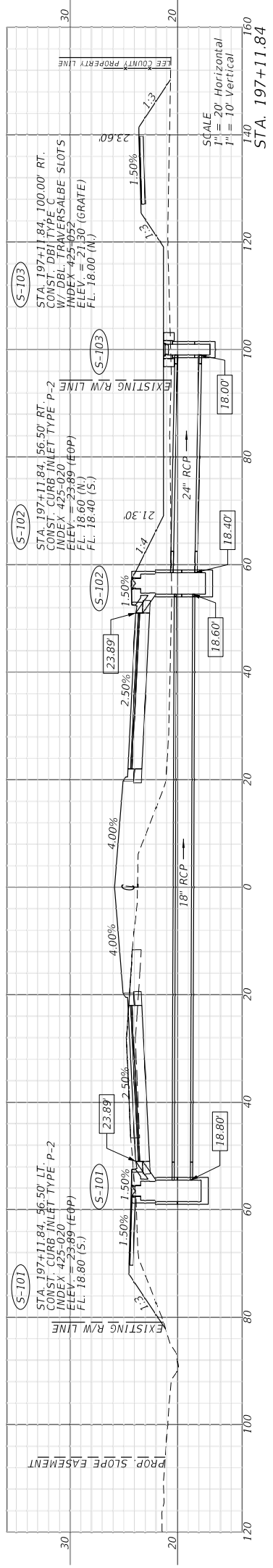
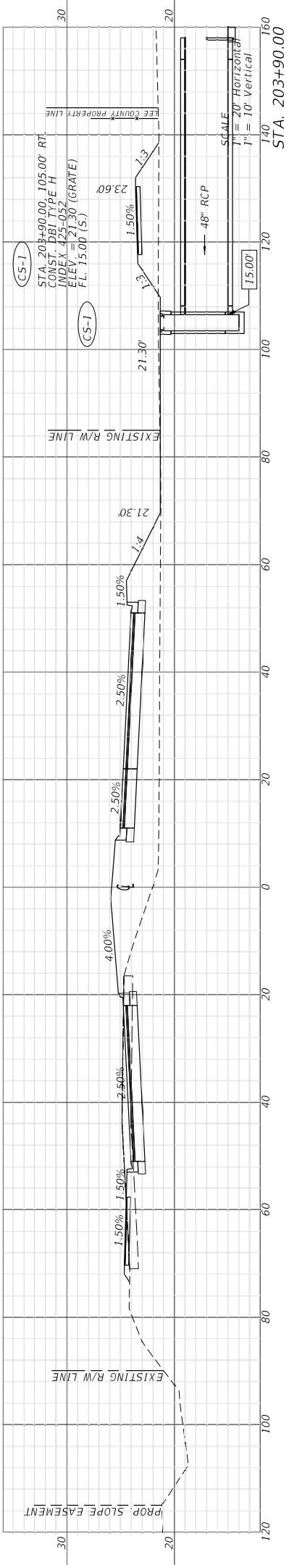


BC-5 EAST WINGWALL DETAIL



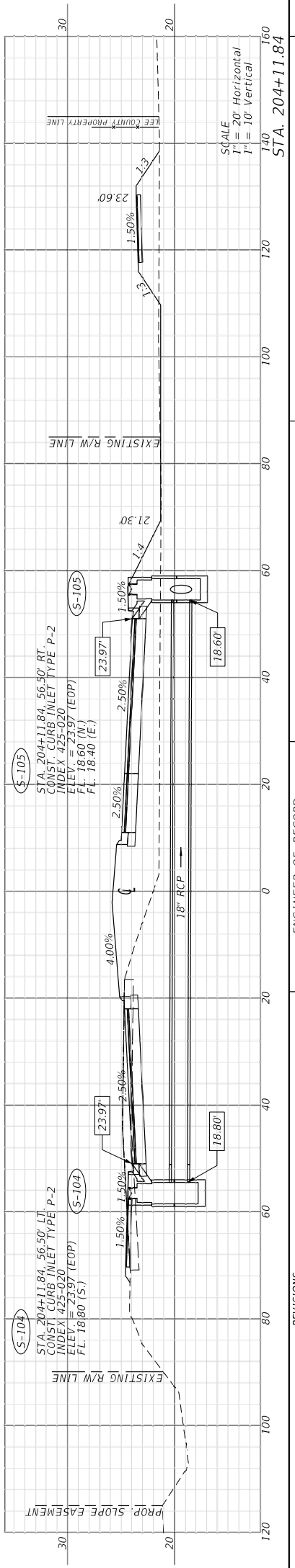
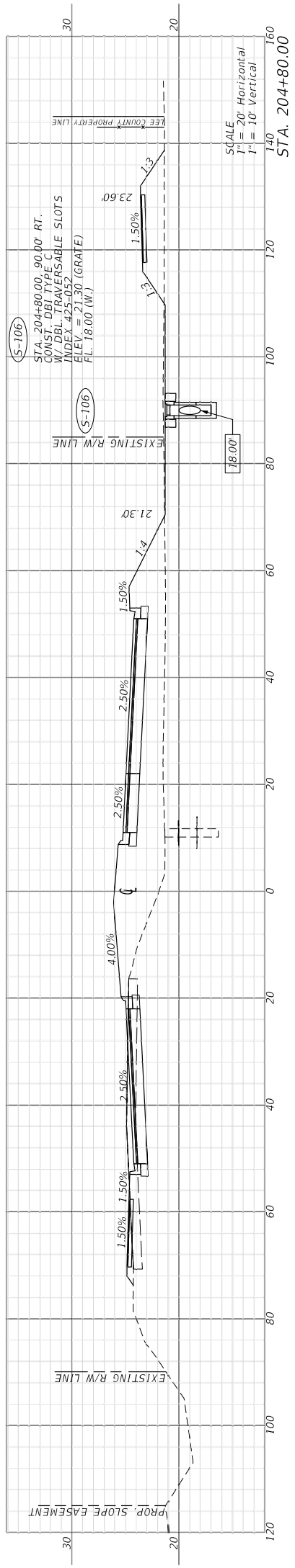
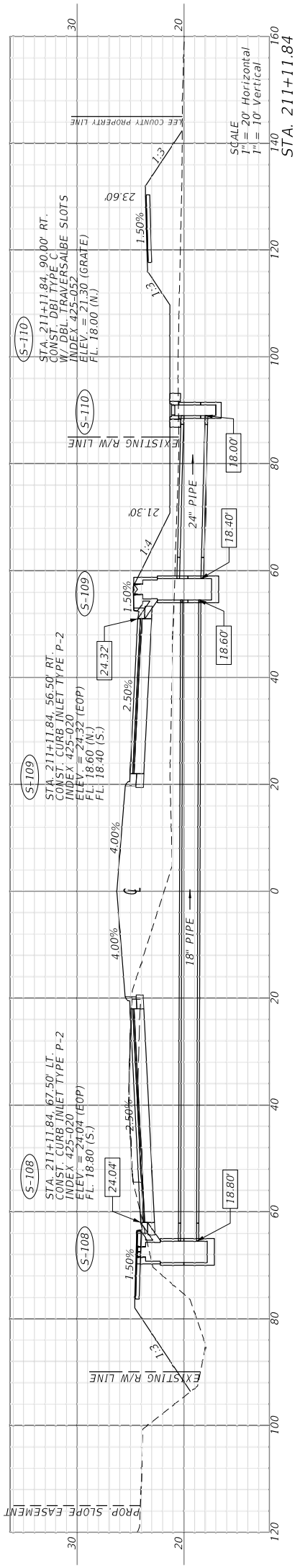
BC-5 WEST WINGWALL DETAIL

DATE		REVISIONS		ENGINEER OF RECORD		DEPARTMENT OF TRANSPORTATION		SHEET NO.	
DESCRIPTION		DATE		DESCRIPTION		ROAD NO.		83	
				RYAN K. BELL, P.E. 60010 LICENSE NUMBER JOHNSON ENGINEERING INC. 2122 JOHNSON STREET FORT WALTERS, FL 33901		LEE COUNTY		DRAINAGE DETAILS	
						COUNTY			
						LEE			
						FINANCIAL PROJECT ID			

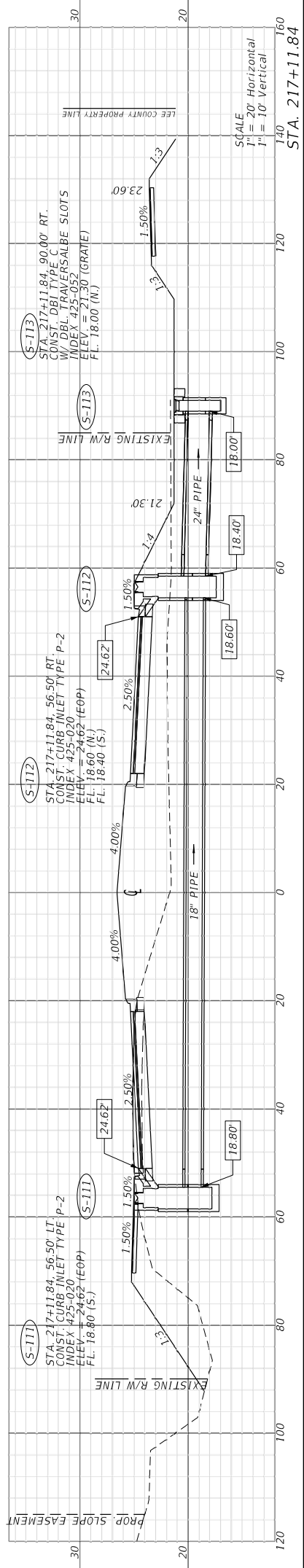
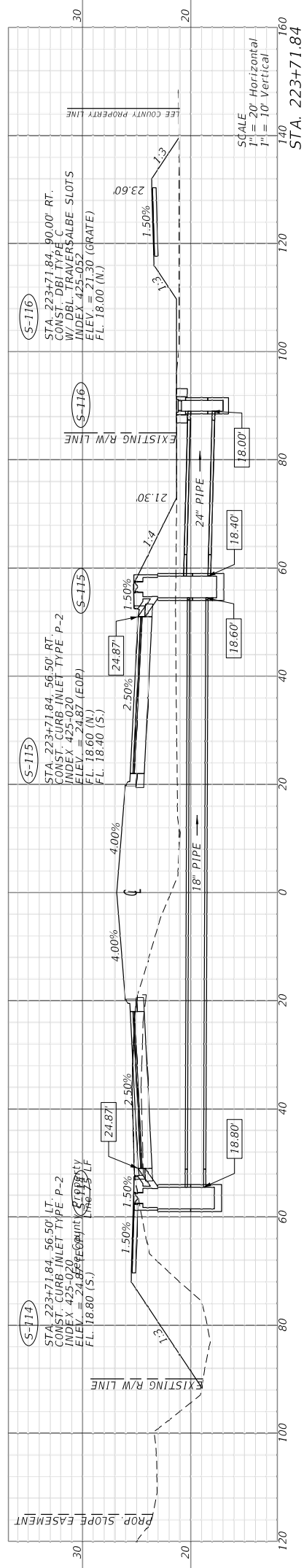
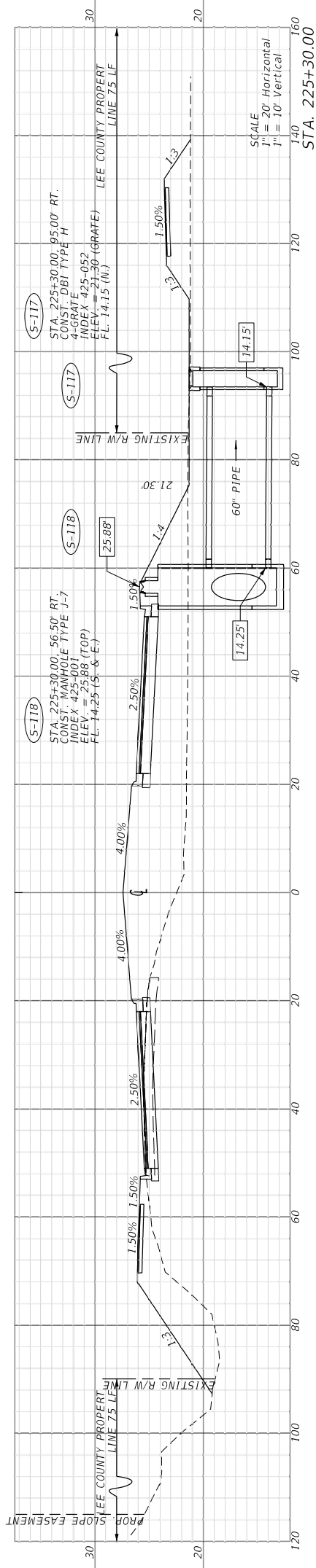


REVISIONS		ENGINEER OF RECORD		DEPARTMENT OF TRANSPORTATION		SHEET NO.	
DATE	DESCRIPTION	RYAN K. BELL, P.E.	LEE COUNTY	ROAD NO.	FINANCIAL PROJECT ID	84	
		LICENSE NUMBER: 60010	COUNTY				
		JOHNSON ENGINEERING INC.	LEE				
		2122 JOHNSON STREET					
		FORT WALTERS, FL 32001					

DRAINAGE CROSS SECTIONS

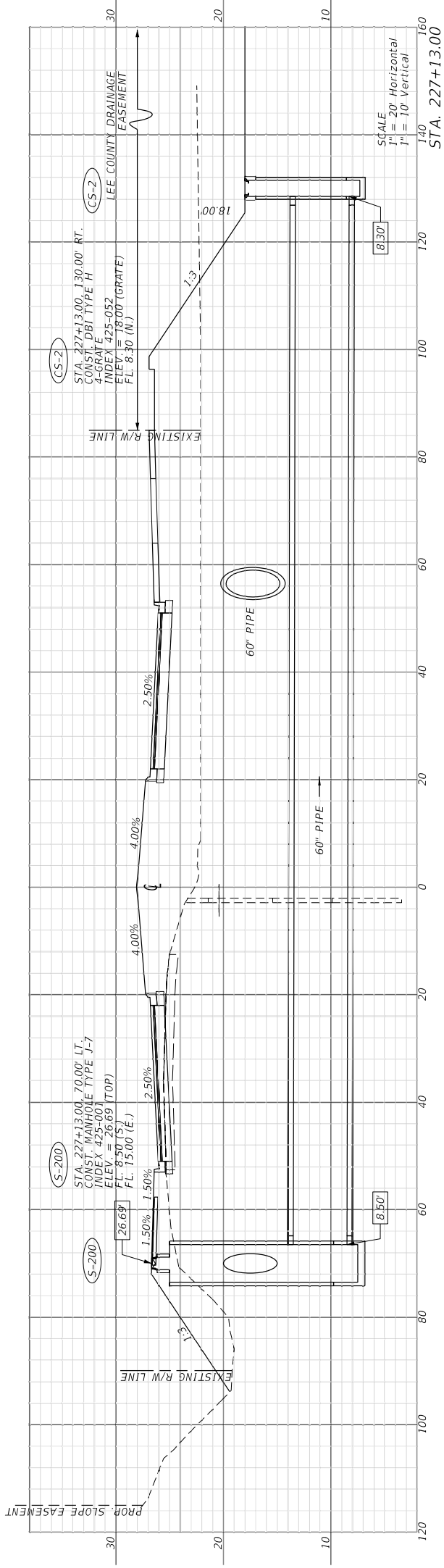
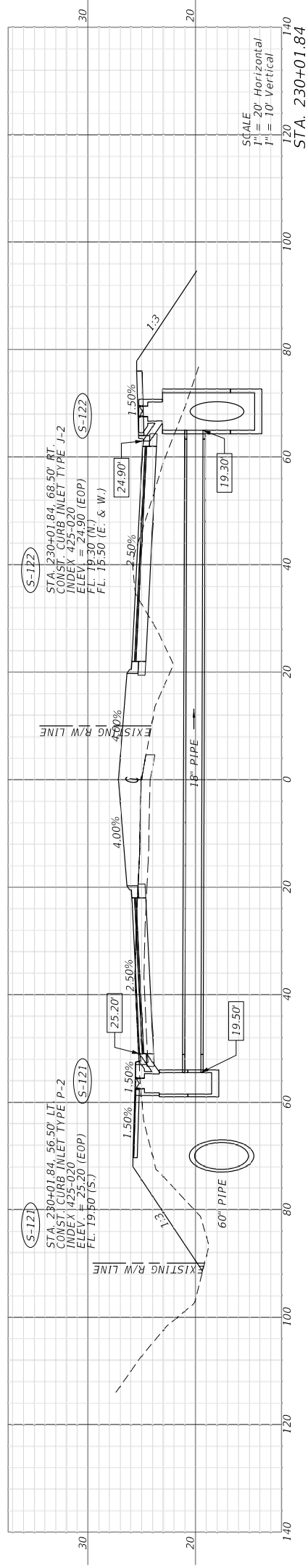


REVISIONS		ENGINEER OF RECORD		DEPARTMENT OF TRANSPORTATION		SHEET NO.
DATE	DESCRIPTION	RYAN K. BELL, P.E.	LEE COUNTY	ROAD NO.	FINANCIAL PROJECT ID	
		60010	LEE			85
		JOHNSON ENGINEERING INC. 2122 JOHNSON STREET FORT WALTERS, FL 32061				
DRAINAGE CROSS SECTIONS						

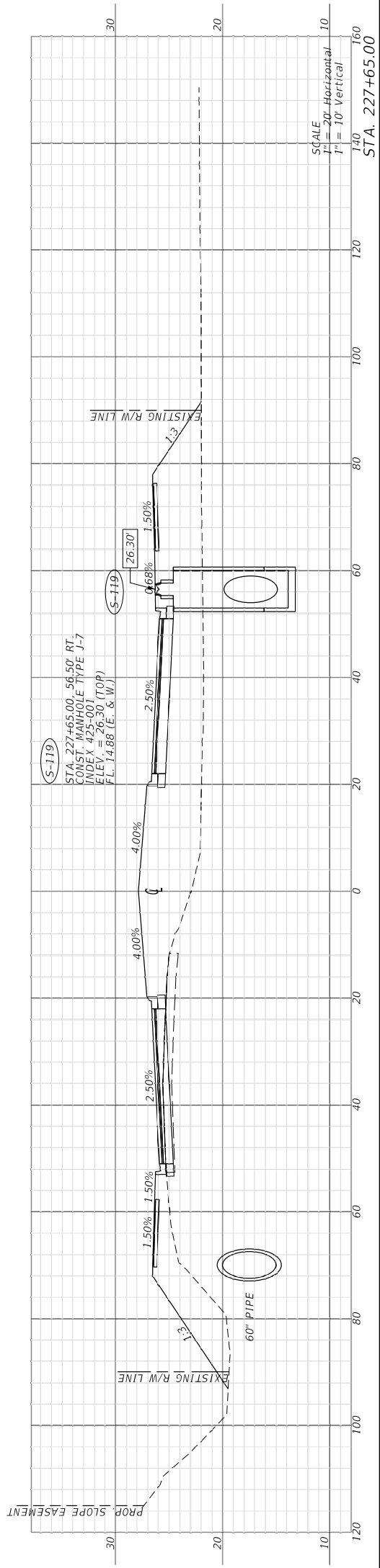


DATE		REVISIONS		ENGINEER OF RECORD		DEPARTMENT OF TRANSPORTATION		SHEET NO.	
DATE	DESCRIPTION	DATE	DESCRIPTION	RYAN K. BELL, P.E. 60010 LICENSE NUMBER JOHNSON ENGINEERING INC. 2122 JOHNSON STREET FORT MYERS, FL 33901	ROAD NO.	COUNTY	FINANCIAL PROJECT ID	LEE COUNTY	86
						LEE			

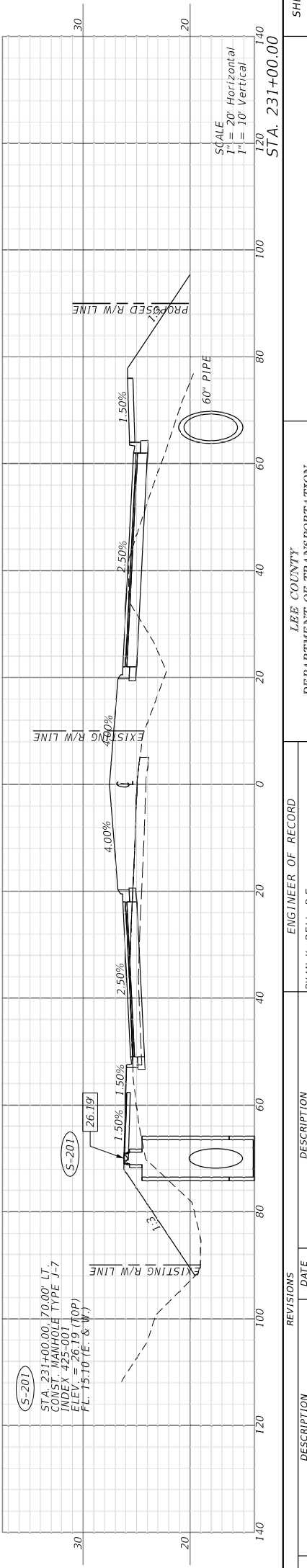
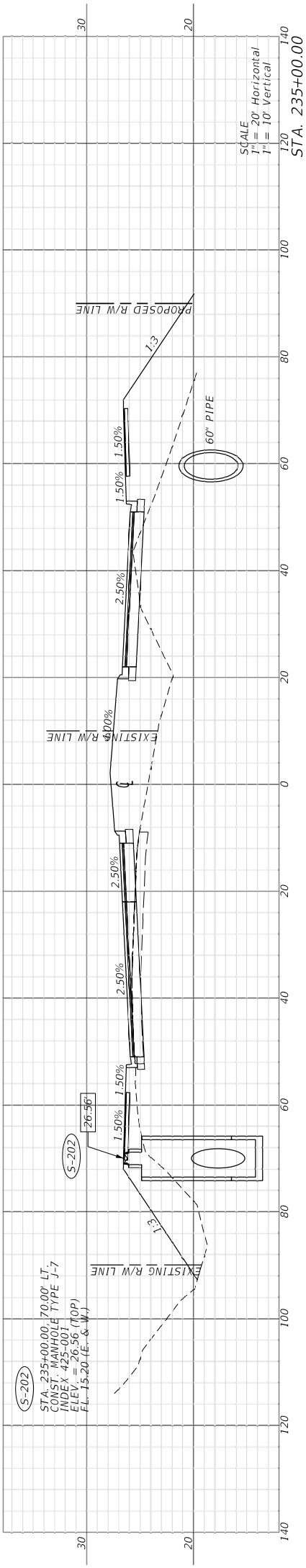
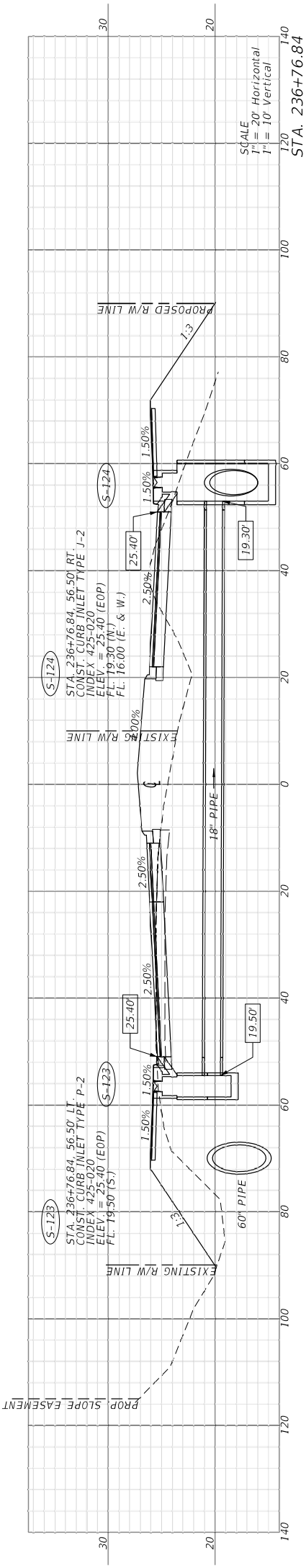
DRAINAGE CROSS SECTIONS



REVISIONS		ENGINEER OF RECORD		DEPARTMENT OF TRANSPORTATION		SHEET NO.	
DATE	DESCRIPTION	RYAN K. BELL, P.E.	LEE COUNTY	ROAD NO.	FINANCIAL PROJECT ID	87	
		LICENSE NUMBER 60010 JOHNSON ENGINEERING INC. 2122 JOHNSON STREET FORT MYERS, FL 33901	LEE			DRAINAGE CROSS SECTIONS	

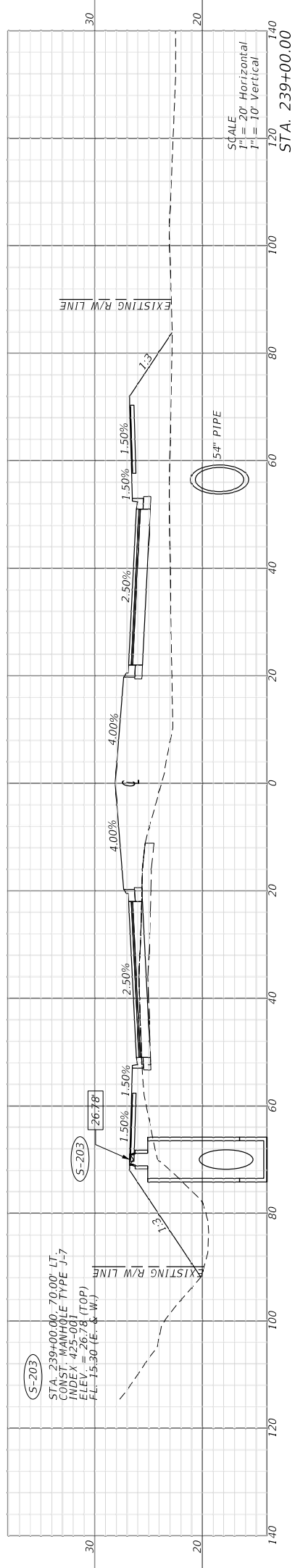
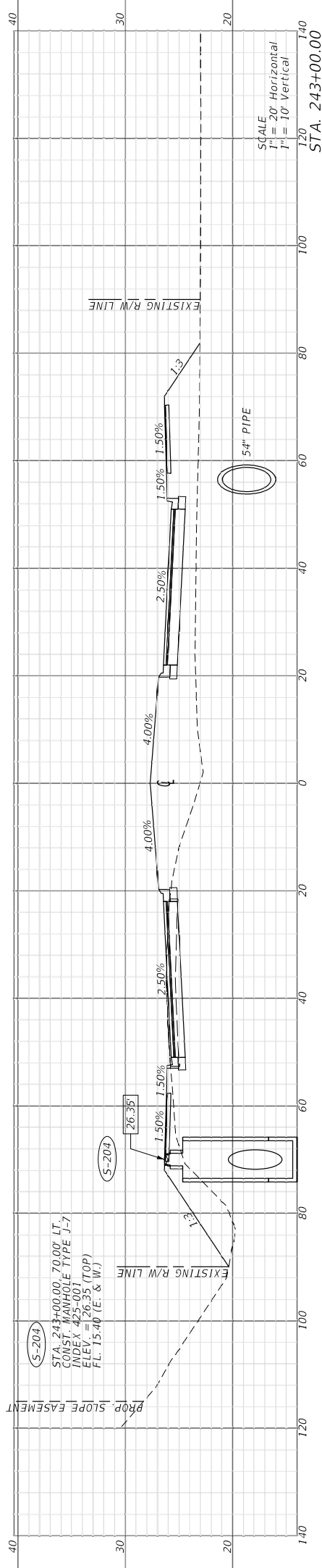
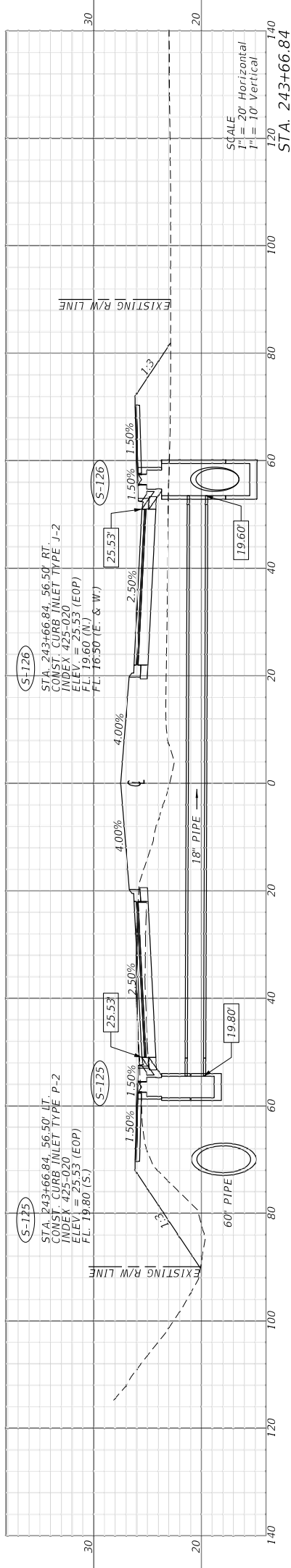


REVISIONS		ENGINEER OF RECORD		DEPARTMENT OF TRANSPORTATION		SHEET NO.	
DATE	DESCRIPTION	DATE	DESCRIPTION	ROAD NO.	COUNTY	FINANCIAL PROJECT ID	NO.
		RYAN K. BELL, P.E.	60010		LEE		88
		LICENSE NUMBER: 60010 JOHNSON ENGINEERING INC. 2122 JOHNSON STREET FORT WALTERS, FL 32061					
				LEE COUNTY			
				COUNTY			
				LEE			
DRAINAGE CROSS SECTIONS							



DATE	DESCRIPTION	REVISIONS	DATE	DESCRIPTION						
<table border="1" style="width: 100%;"> <tr> <th colspan="2">DEPARTMENT OF TRANSPORTATION</th> </tr> <tr> <td>ROAD NO.</td> <td>FINANCIAL PROJECT ID</td> </tr> <tr> <td>COUNTY</td> <td>LEE</td> </tr> </table>					DEPARTMENT OF TRANSPORTATION		ROAD NO.	FINANCIAL PROJECT ID	COUNTY	LEE
DEPARTMENT OF TRANSPORTATION										
ROAD NO.	FINANCIAL PROJECT ID									
COUNTY	LEE									
ENGINEER OF RECORD			LEE COUNTY							
RYAN K. BELL, P.E. 00010 LICENSE NUMBER FOR JOHNSON ENGINEERING INC. 2122 JOHNSON STREET FORT MYERS, FL 33901										
SHEET NO. 89										
DRAINAGE CROSS SECTIONS										

THE OFFICIAL RECORD OF THIS SHEET IS THE ELECTRONIC FILE DIGITALLY SIGNED AND SEALED UNDER RULE 61G15-23.004, F.A.C.



REVISIONS		ENGINEER OF RECORD		DEPARTMENT OF TRANSPORTATION		SHEET NO.	
DATE	DESCRIPTION	DATE	DESCRIPTION	ROAD NO.	COUNTY	FINANCIAL PROJECT ID	NO.
		RYAN K. BELL, P.E. 60010 LICENSE NUMBER JOHNSON ENGINEERING INC. 2122 JOHNSON STREET FORT MYERS, FL 33901			LEE		90

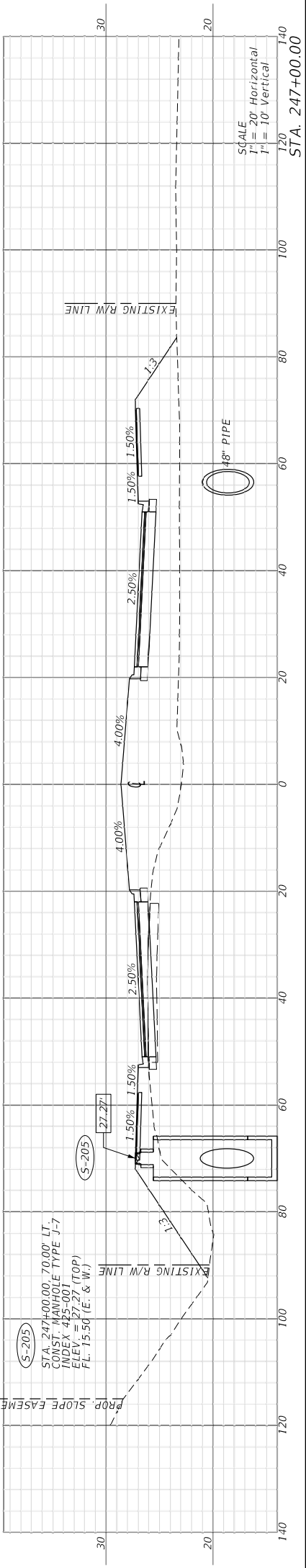
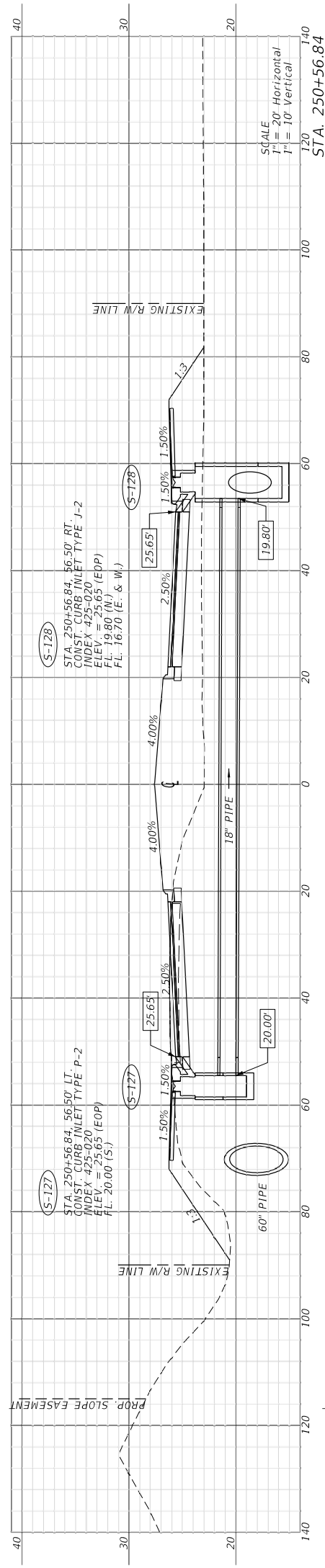
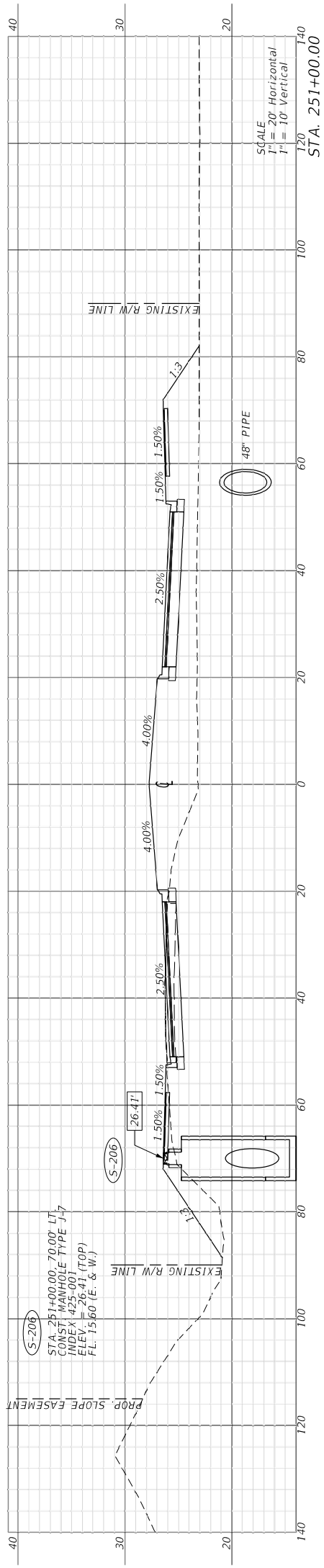
DRAINAGE CROSS SECTIONS

LEE COUNTY
COUNTY
LEE

ENGINEER OF RECORD
RYAN K. BELL, P.E. 60010
LICENSE NUMBER
JOHNSON ENGINEERING INC.
2122 JOHNSON STREET
FORT MYERS, FL 33901

REVISIONS

DATE DESCRIPTION



REVISIONS		ENGINEER OF RECORD		DEPARTMENT OF TRANSPORTATION		SHEET NO.	
DATE	DESCRIPTION	RYAN K. BELL, P.E. 60010 LICENSE NUMBER JOHNSON ENGINEERING INC. 2122 JOHNSON STREET FORT WALTERS, FL 33901	ROAD NO.	COUNTY	FINANCIAL PROJECT ID	91	91
				LEE			

DRAINAGE CROSS SECTIONS

LEE COUNTY

COUNTY

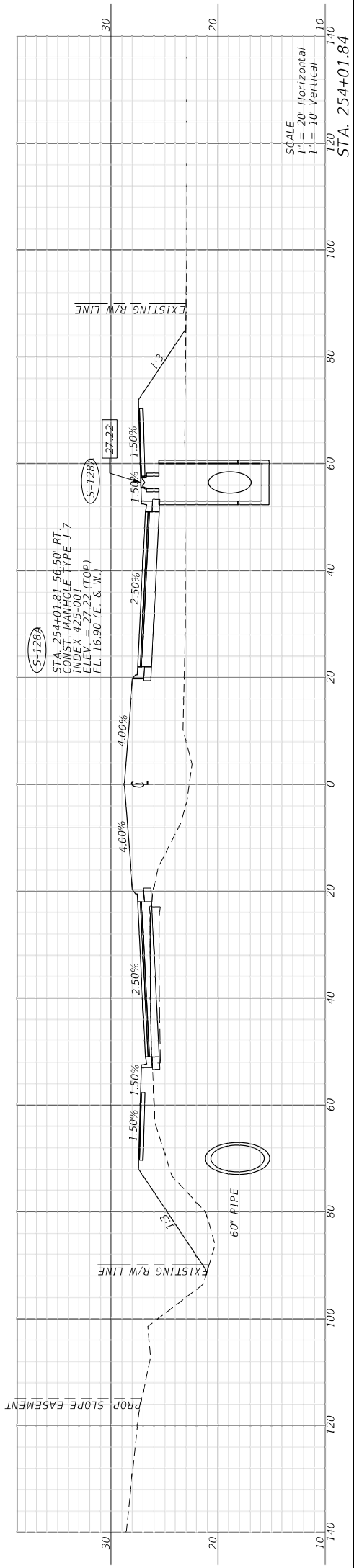
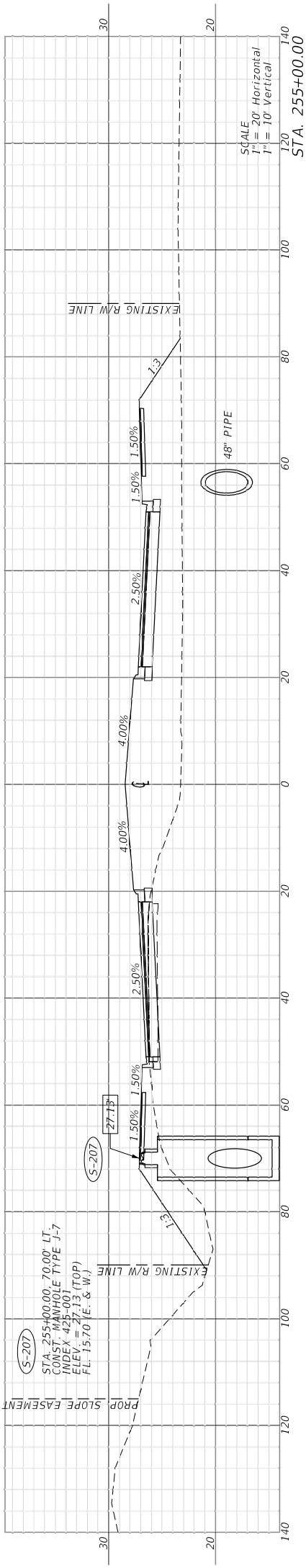
LEE

DATE

DESCRIPTION

DATE

DESCRIPTION



REVISIONS		ENGINEER OF RECORD		DEPARTMENT OF TRANSPORTATION		SHEET NO.
DATE	DESCRIPTION	DATE	DESCRIPTION	ROAD NO.	FINANCIAL PROJECT ID	
		RYAN K. BELL, P.E. 60010		LEE COUNTY		92
		JOHNSON ENGINEERING INC. 2122 JOHNSON STREET FORT WALTERS, FL 32801		LEE		

DRAINAGE CROSS SECTIONS

LEE COUNTY

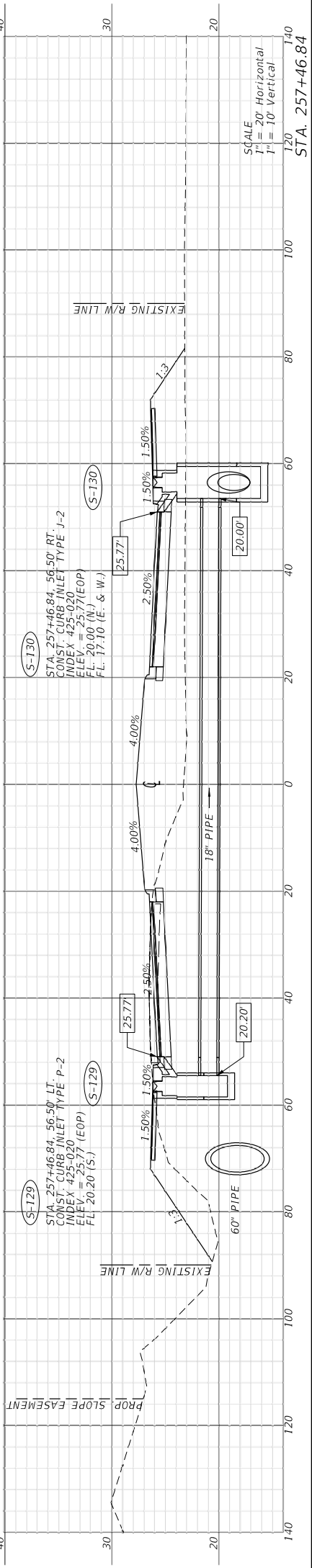
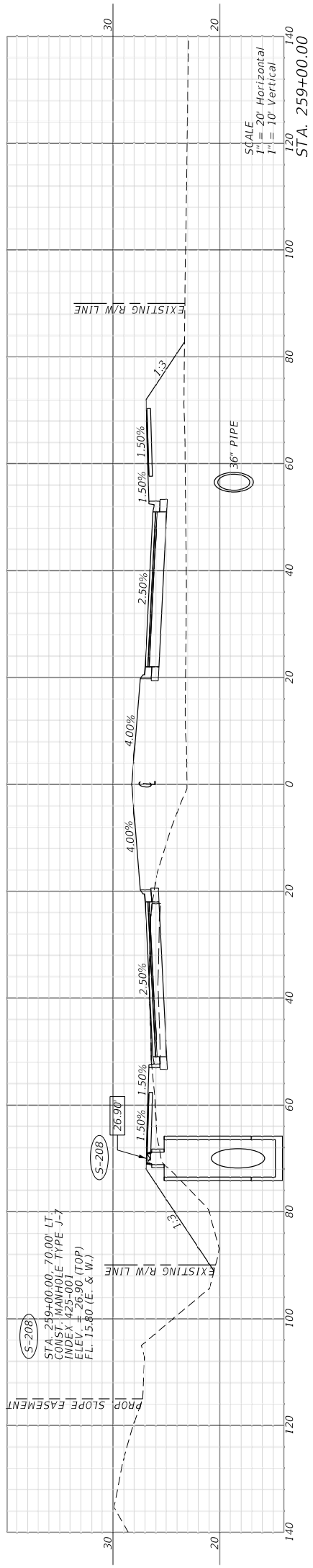
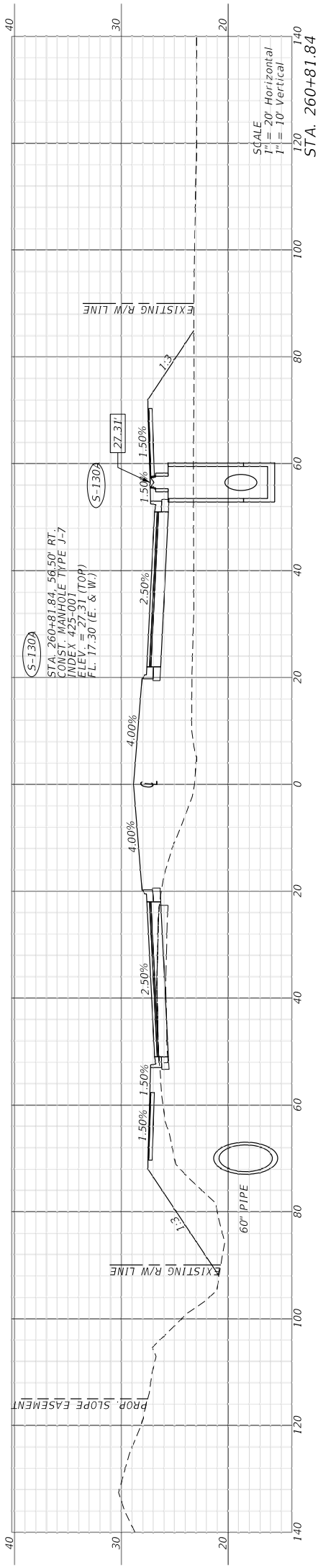
DEPARTMENT OF TRANSPORTATION

COUNTY
LEE

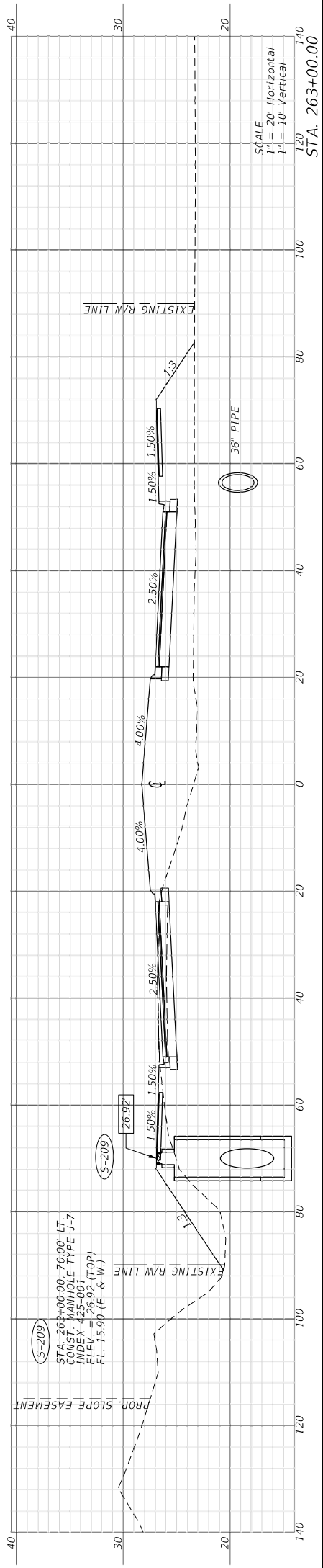
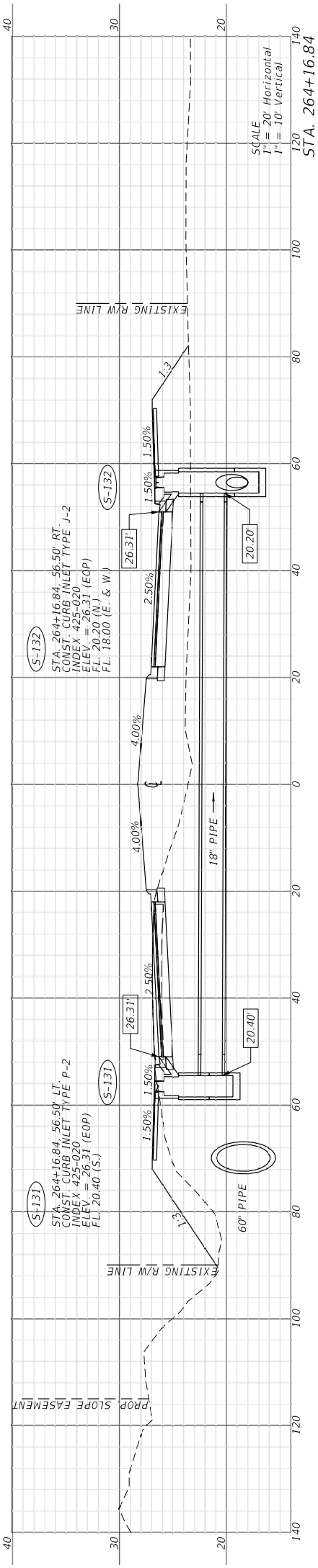
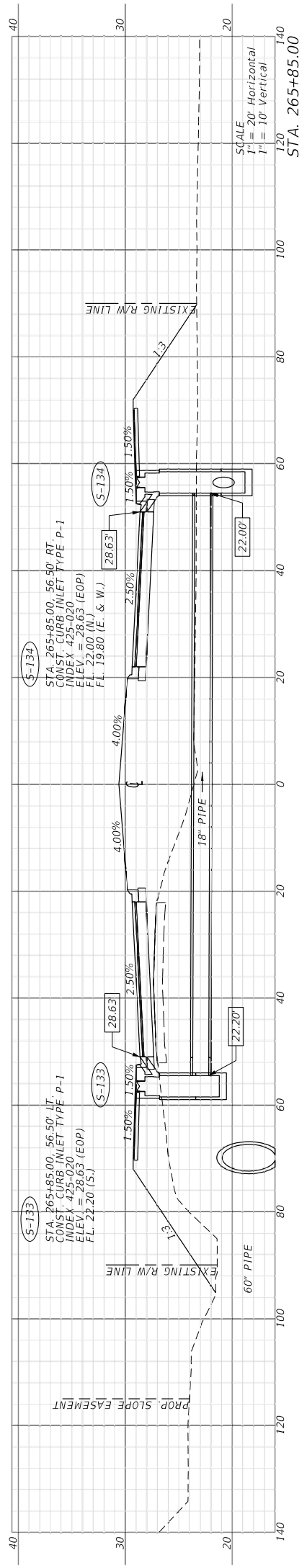
ROAD NO.

FINANCIAL PROJECT ID

SHEET NO.
92

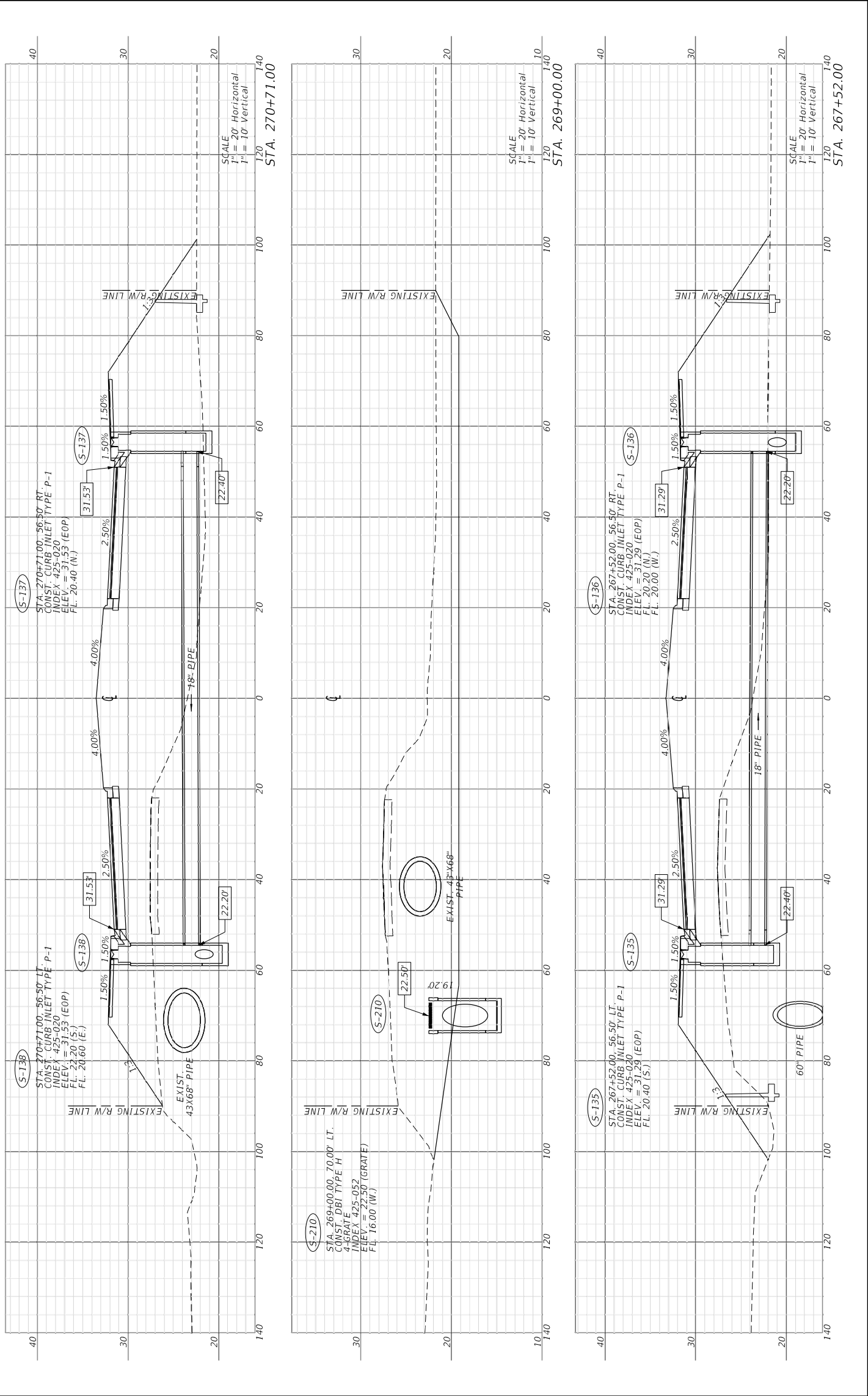


REVISIONS		ENGINEER OF RECORD		DEPARTMENT OF TRANSPORTATION		SHEET NO.
DATE	DESCRIPTION	RYAN K. BELL, P.E.	LEE COUNTY	ROAD NO.	FINANCIAL PROJECT ID	
		60010	LEE			93
		JOHNSON ENGINEERING INC. 2122 JOHNSON STREET FORT WALTERS, FL 32061				
				DRAINAGE CROSS SECTIONS		



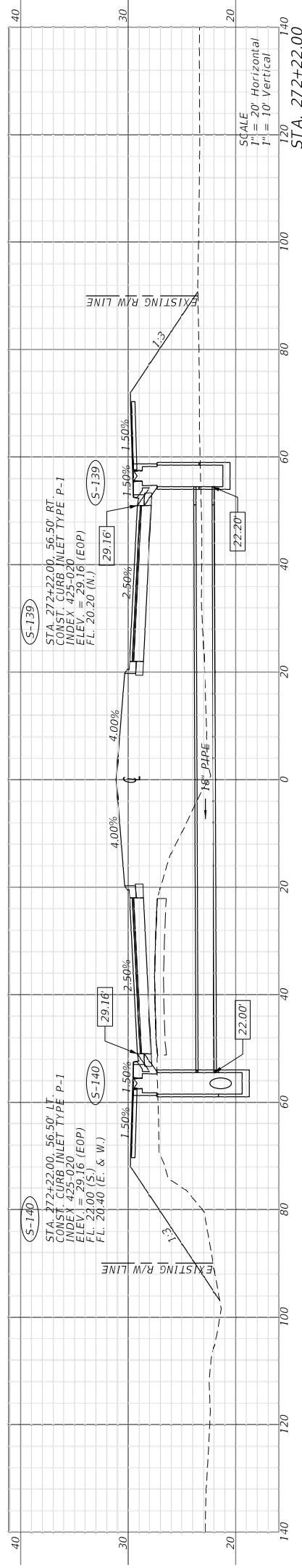
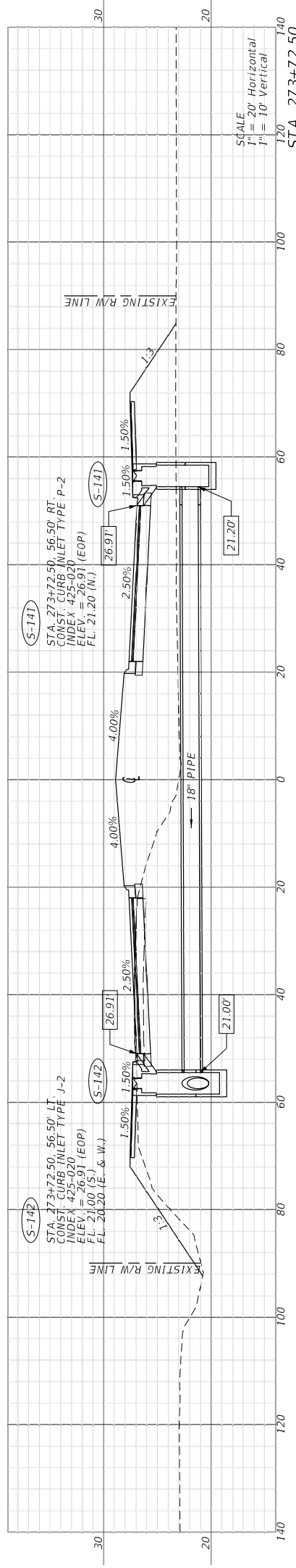
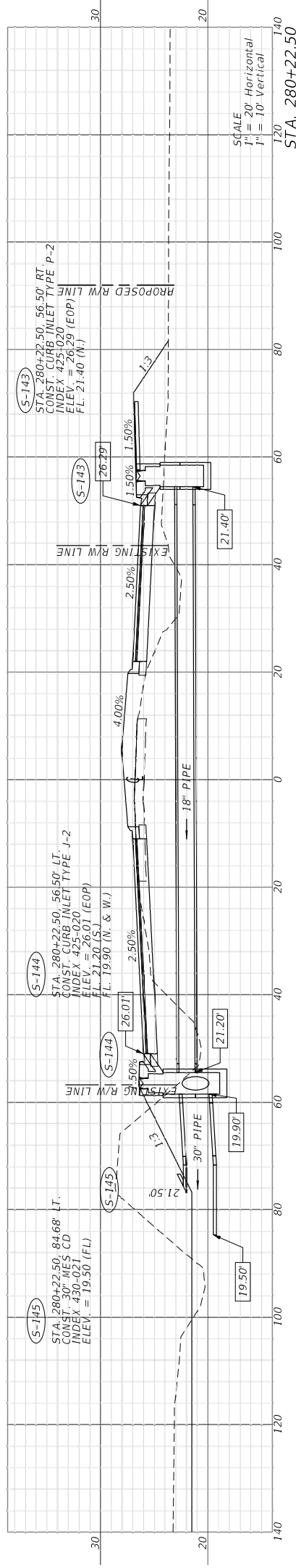
REVISIONS		ENGINEER OF RECORD		DEPARTMENT OF TRANSPORTATION		SHEET NO.	
DATE	DESCRIPTION	RYAN K. BELL, P.E. 60010 LICENSE NUMBER JOHNSON ENGINEERING INC. 2122 JOHNSON STREET FORT MYERS, FL 33901	LEE COUNTY	ROAD NO.	FINANCIAL PROJECT ID	94	94
			LEE				

DRAINAGE CROSS SECTIONS



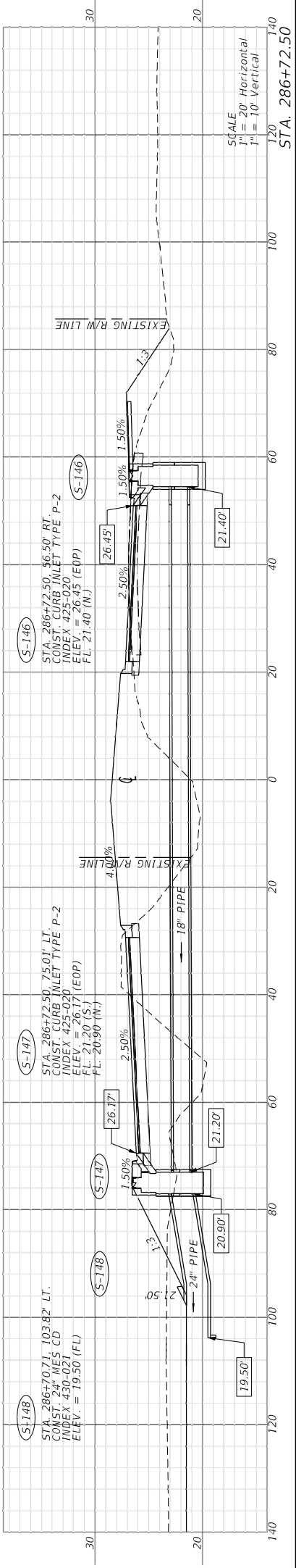
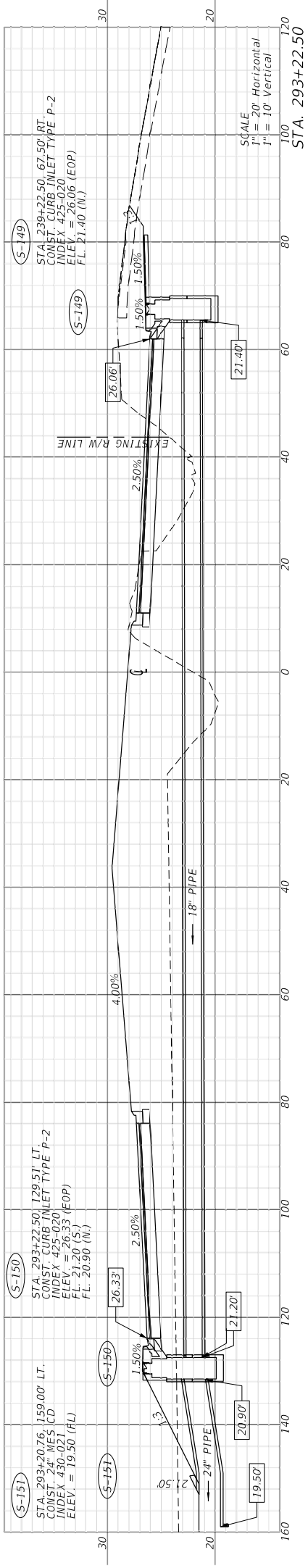
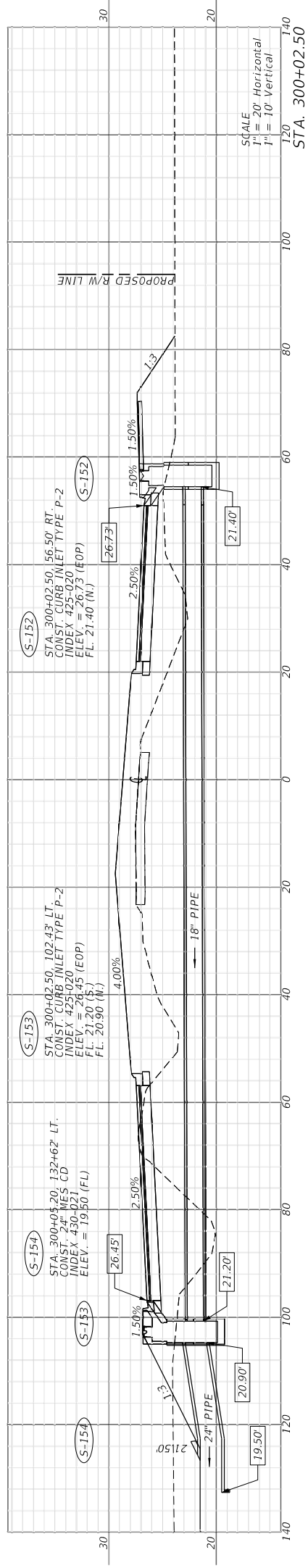
REVISIONS		ENGINEER OF RECORD		DEPARTMENT OF TRANSPORTATION		SHEET NO.	
DATE	DESCRIPTION	RYAN K. BELL, P.E. 60010 LICENSE NUMBER 60010 JOHNSON ENGINEERING INC. 2122 JOHNSON STREET FORT MYERS, FL 33901	ROAD NO.	COUNTY	FINANCIAL PROJECT ID	95	95
				LEE			

DRAINAGE CROSS SECTIONS



REVISIONS		ENGINEER OF RECORD		DEPARTMENT OF TRANSPORTATION		SHEET NO.	
DATE	DESCRIPTION	RYAN K. BELL, P.E. 60010 LICENSE NUMBER	JOHNSON ENGINEERING INC. 2122 JOHNSON STREET FORT MYERS, FL 33901	ROAD NO.	COUNTY	FINANCIAL PROJECT ID	SHEET NO.
					LEE		96

DRAINAGE CROSS SECTIONS



REVISIONS		ENGINEER OF RECORD		DEPARTMENT OF TRANSPORTATION		SHEET NO.
DATE	DESCRIPTION	RYAN K. BELL, P.E. 60010 LICENSE NUMBER JOHNSON ENGINEERING INC. 2122 JOHNSON STREET FORT WALTERS, FL 33001	ROAD NO.	COUNTY	FINANCIAL PROJECT ID	
				LEE		97

DRAINAGE CROSS SECTIONS

LEE COUNTY

COUNTY

LEE

ENGINEER OF RECORD

DESCRIPTION

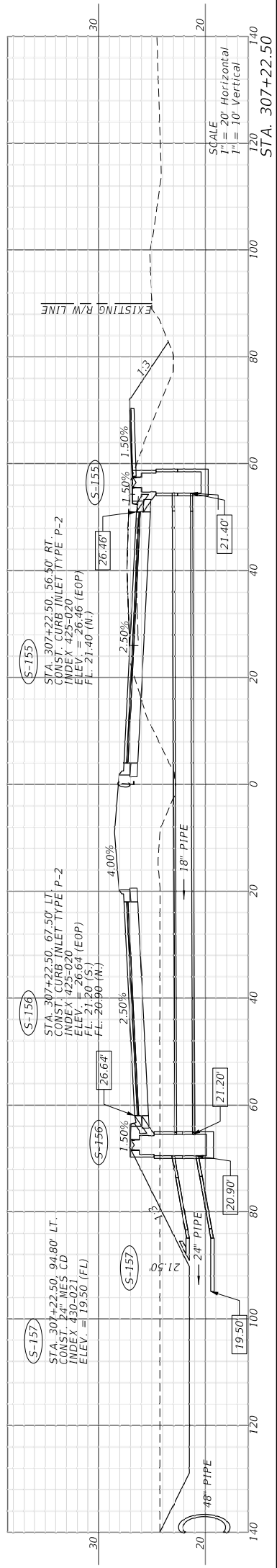
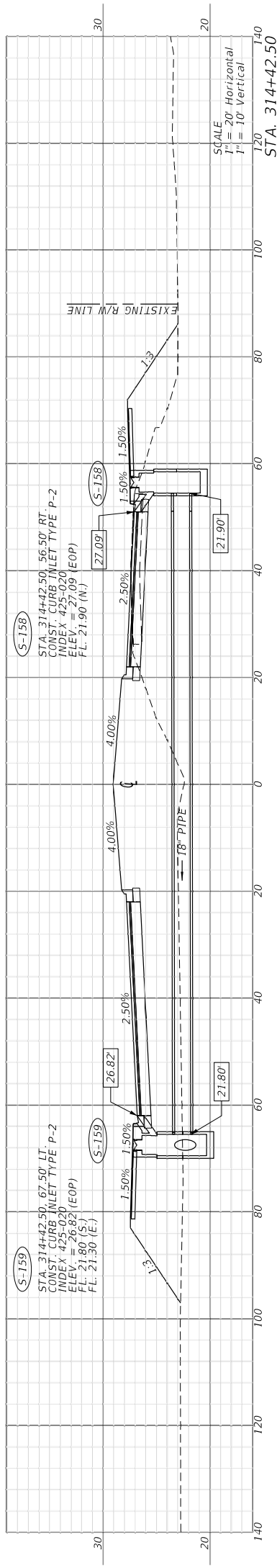
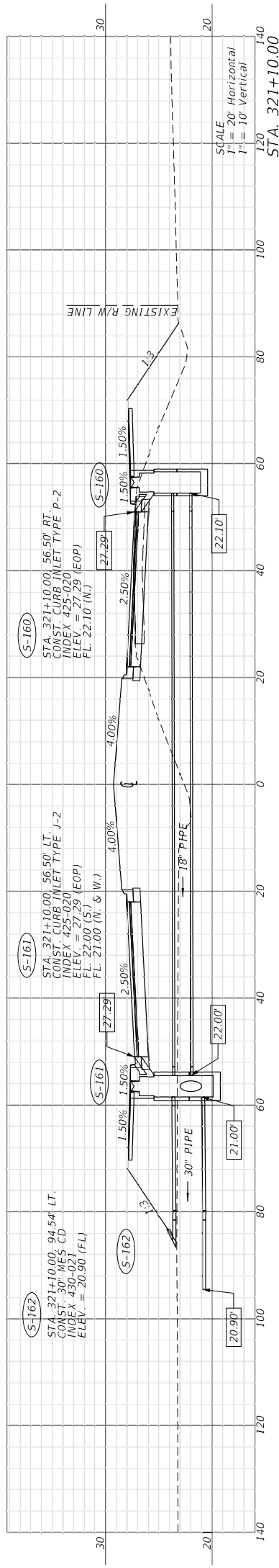
DATE

REVISIONS

DEPARTMENT OF TRANSPORTATION

FINANCIAL PROJECT ID

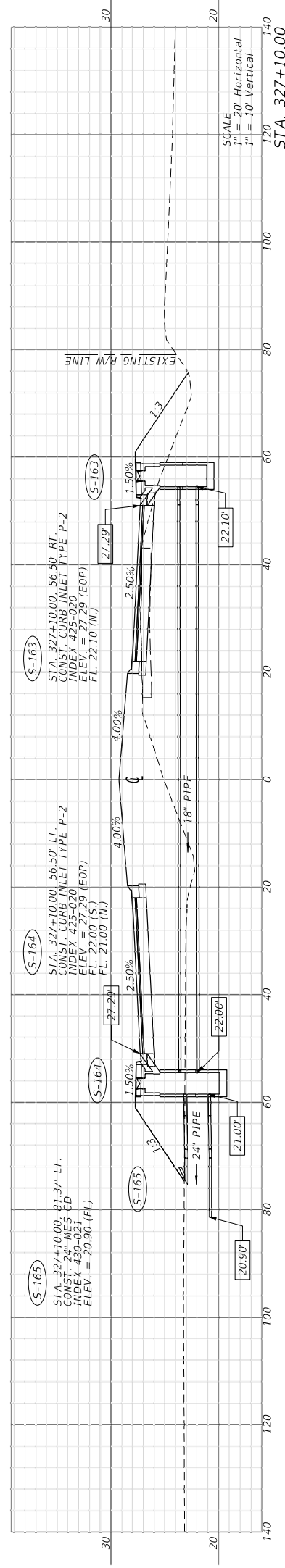
SHEET NO.



REVISIONS		DESCRIPTION		DATE	

ENGINEER OF RECORD		LEE COUNTY	
RYAN K. BELL, P.E. 60010		DEPARTMENT OF TRANSPORTATION	
LICENSE NUMBER: 60010		ROAD NO.	
JOHNSON ENGINEERING INC.		COUNTY	
2122 JOHNSON STREET		LEE	
FORT WALTERS, FL 33801		FINANCIAL PROJECT ID	

DRAINAGE CROSS SECTIONS		SHEET NO.
		98



REVISIONS		ENGINEER OF RECORD		DEPARTMENT OF TRANSPORTATION		SHEET NO.
DATE	DESCRIPTION	DATE	DESCRIPTION	ROAD NO.	FINANCIAL PROJECT ID	
		RYAN K. BELL, P.E. 60010				99
		JOHNSON ENGINEERING INC.		COUNTY	LEE	
		2122 JOHNSON STREET		COUNTY	LEE	
		FORT WALTERS, FL 33901				

DRAINAGE CROSS SECTIONS

LEE COUNTY

DEPARTMENT OF TRANSPORTATION

ENGINEER OF RECORD

REVISIONS

DATE DESCRIPTION

DATE DESCRIPTION

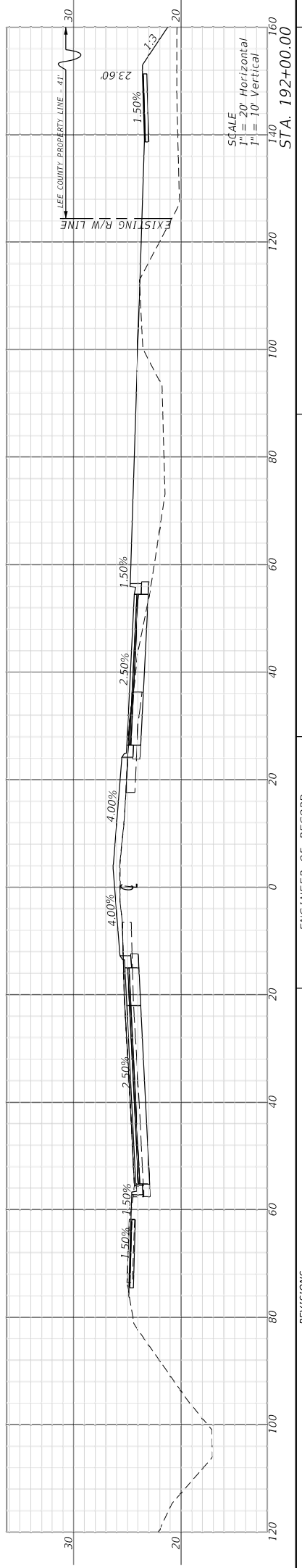
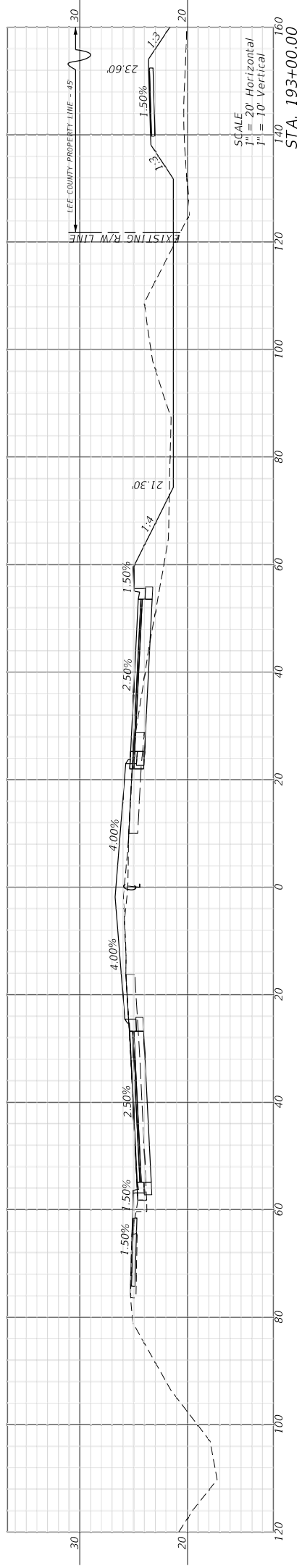
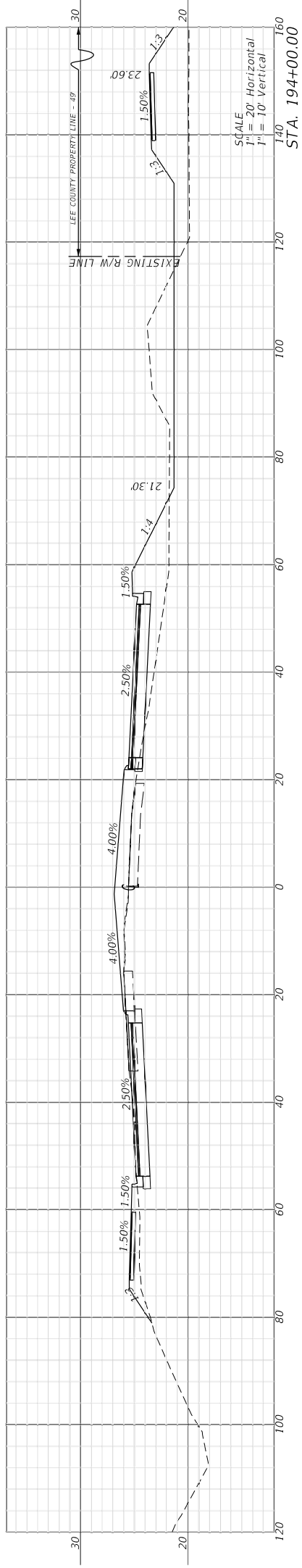
ROAD NO. FINANCIAL PROJECT ID

COUNTY COUNTY

LEE LEE

SHEET NO.

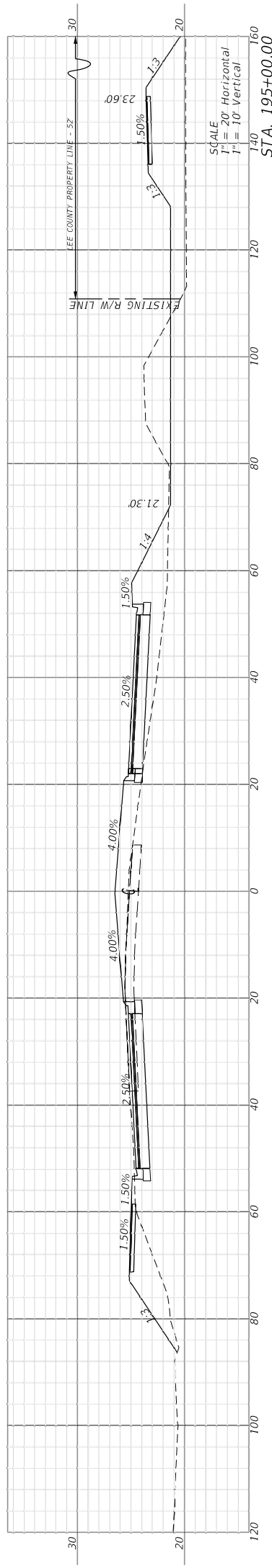
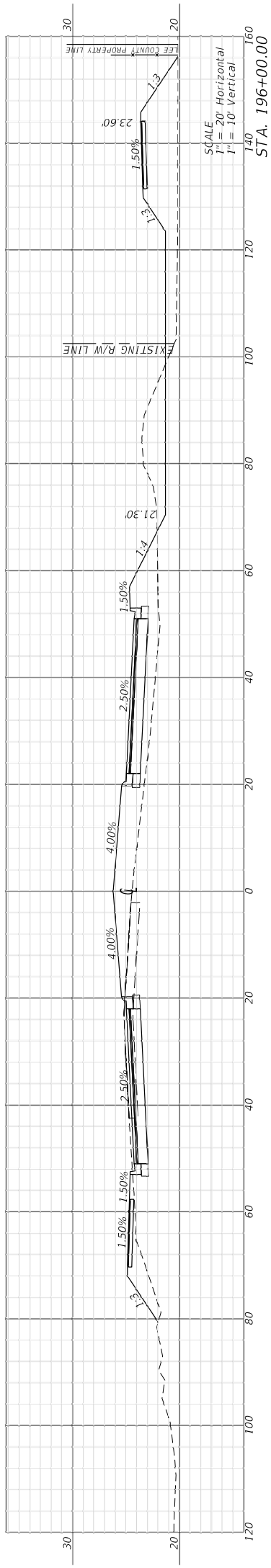
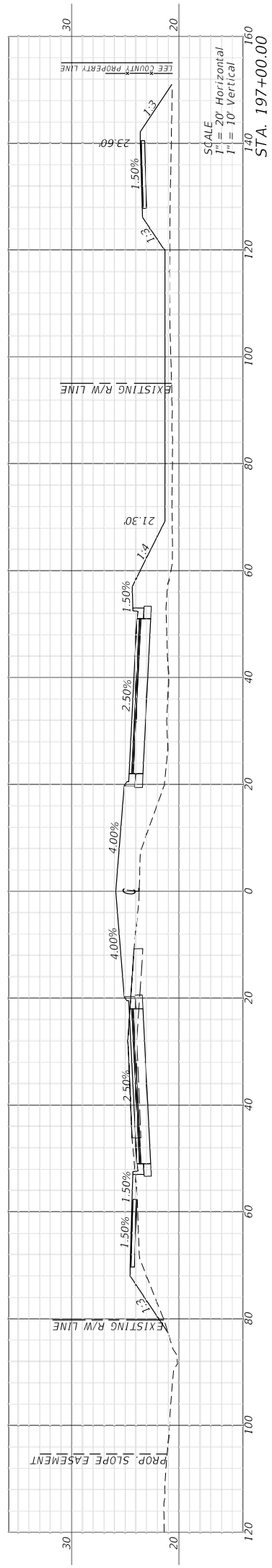
99



REVISIONS		DESCRIPTION		DATE	

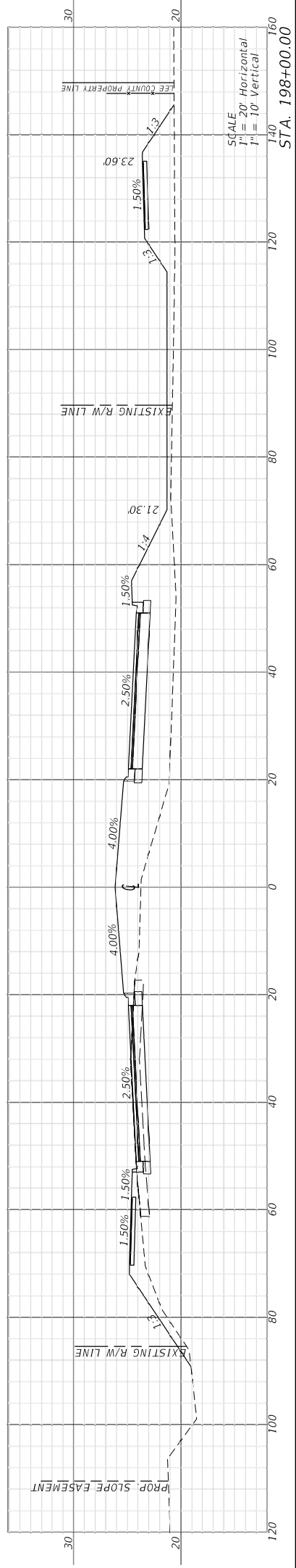
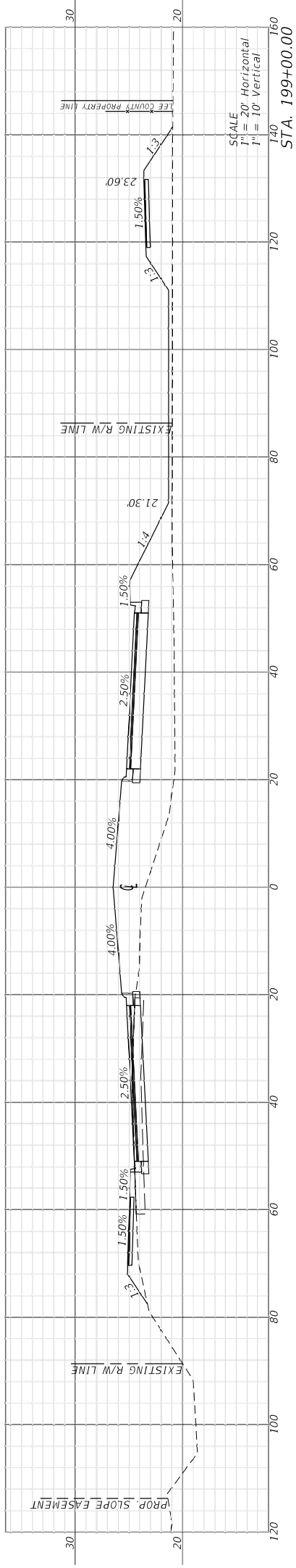
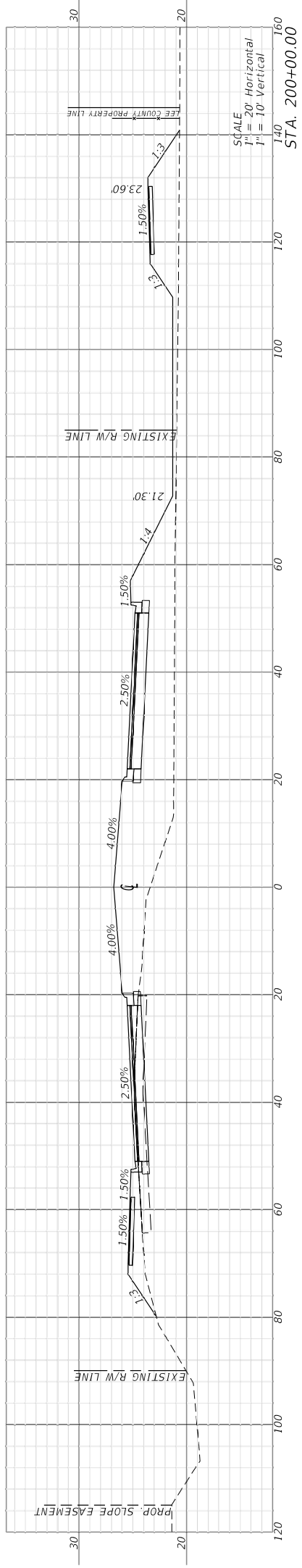
ENGINEER OF RECORD		LEE COUNTY	
RYAN K. BELL, P.E. 60010		DEPARTMENT OF TRANSPORTATION	
LORISE KUMBEK 60010		COUNTY	
JOHNSON ENGINEERING INC.		LEE	
2122 JOHNSON STREET			
FORT WALTERS, FL 33901			

CROSS SECTIONS		SHEET NO.
		101



REVISIONS		ENGINEER OF RECORD		DEPARTMENT OF TRANSPORTATION		SHEET NO.	
DATE	DESCRIPTION	DATE	DESCRIPTION	ROAD NO.	COUNTY	FINANCIAL PROJECT ID	NO.
		RYAN K. BELL, P.E. 60010 LICENSE NUMBER JOHNSON ENGINEERING INC. 2122 JOHNSON STREET FORT MYERS, FL 33901			LEE		102

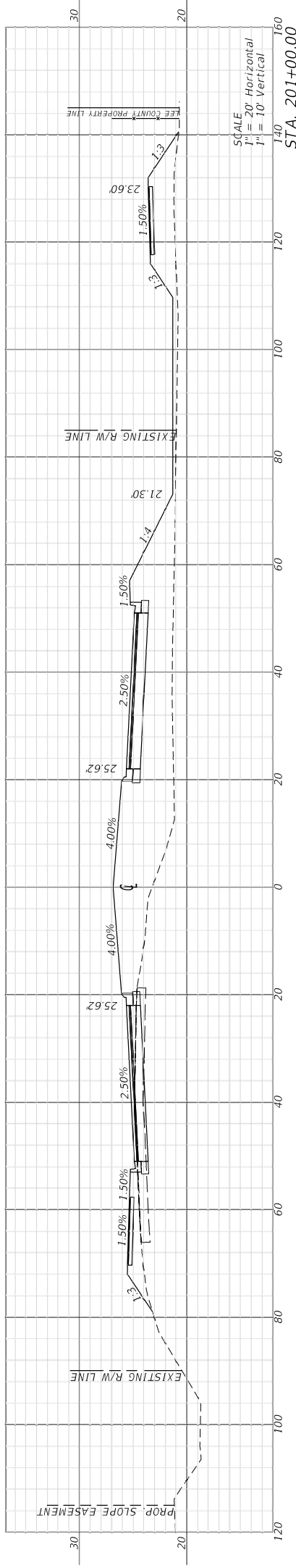
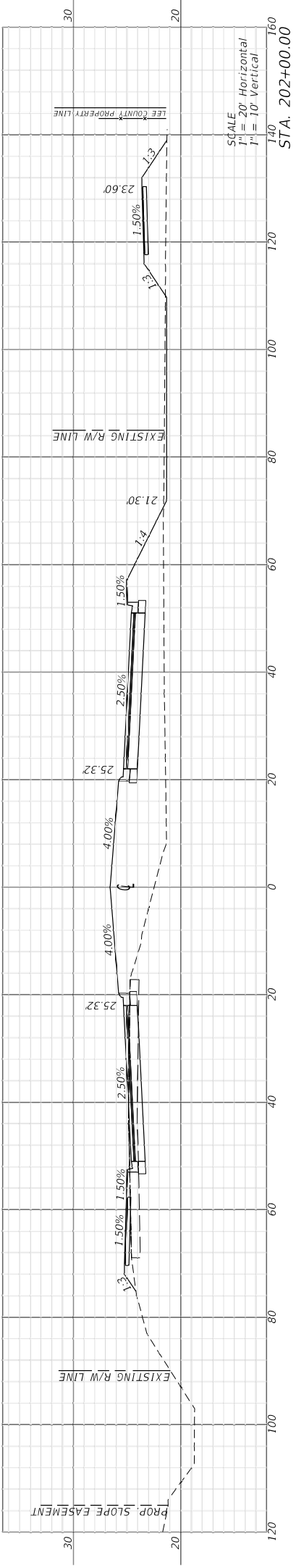
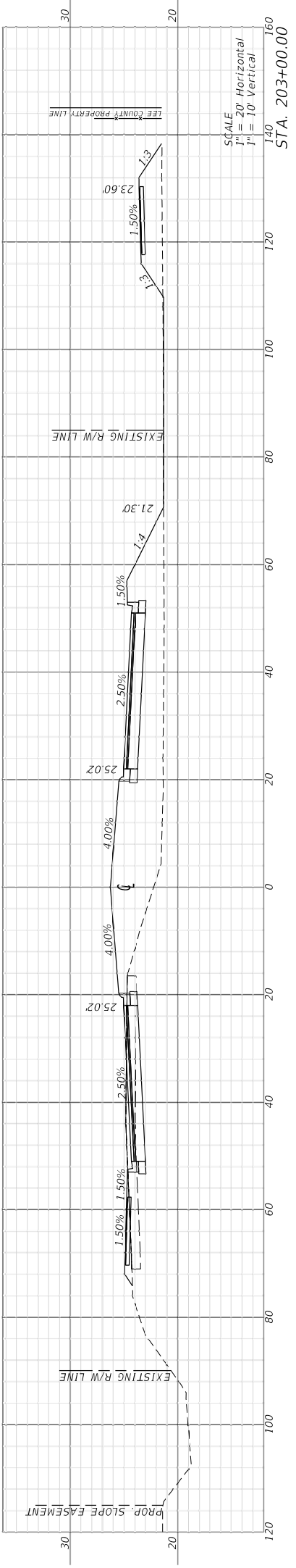
CROSS SECTIONS



REVISIONS		DESCRIPTION		DATE	

ENGINEER OF RECORD		RYAN K. BELL, P.E. 60010 LICENSE NUMBER JOHNSON ENGINEERING INC. 2122 JOHNSON STREET FORT MYERS, FL 33901	
DEPARTMENT OF TRANSPORTATION		LEE COUNTY	
ROAD NO.	COUNTY	FINANCIAL PROJECT ID	
	LEE		

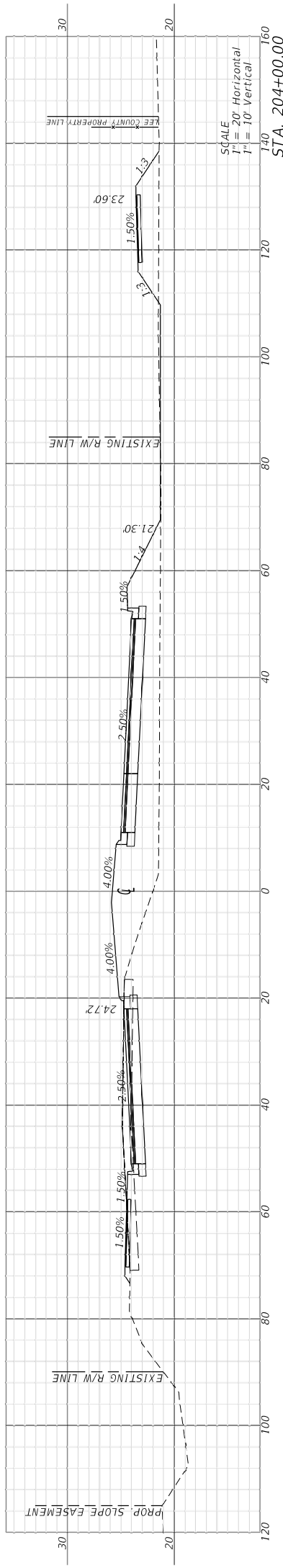
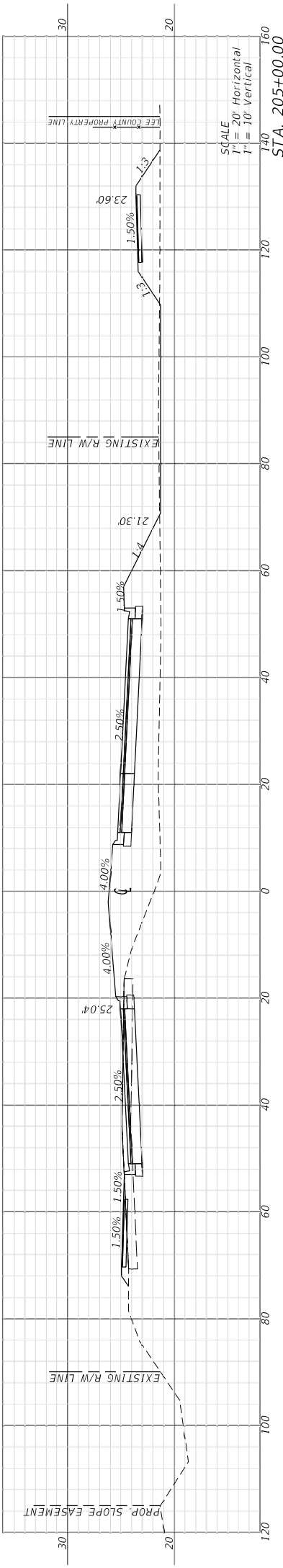
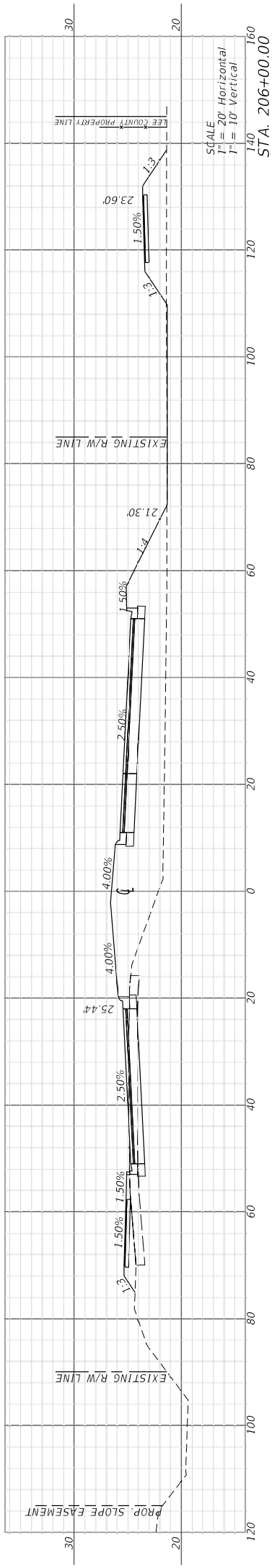
CROSS SECTIONS		SHEET NO.
		103



REVISIONS		DESCRIPTION		DATE	

ENGINEER OF RECORD		LEE COUNTY	
RYAN K. BELL, P.E. 60010		DEPARTMENT OF TRANSPORTATION	
JOHNSON ENGINEERING INC.		COUNTY	LEE
2122 JOHNSON STREET		ROAD NO.	
FORT WALTERS, FL 33901		FINANCIAL PROJECT ID	

CROSS SECTIONS		SHEET NO.
		104



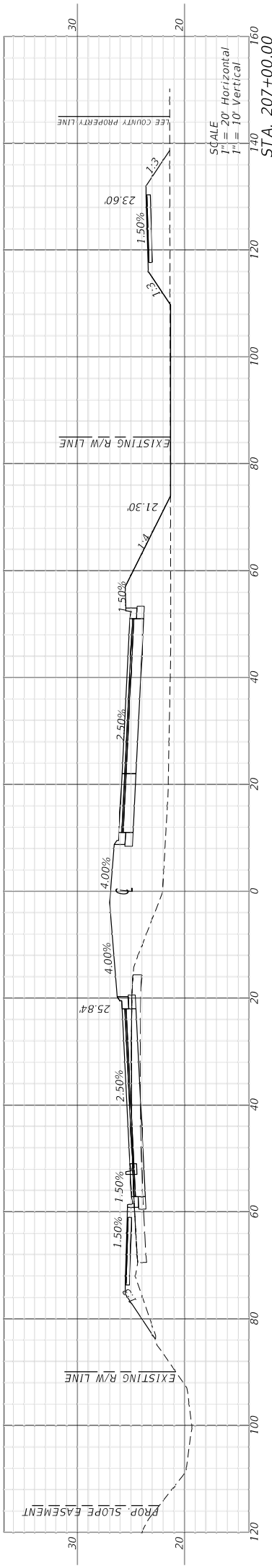
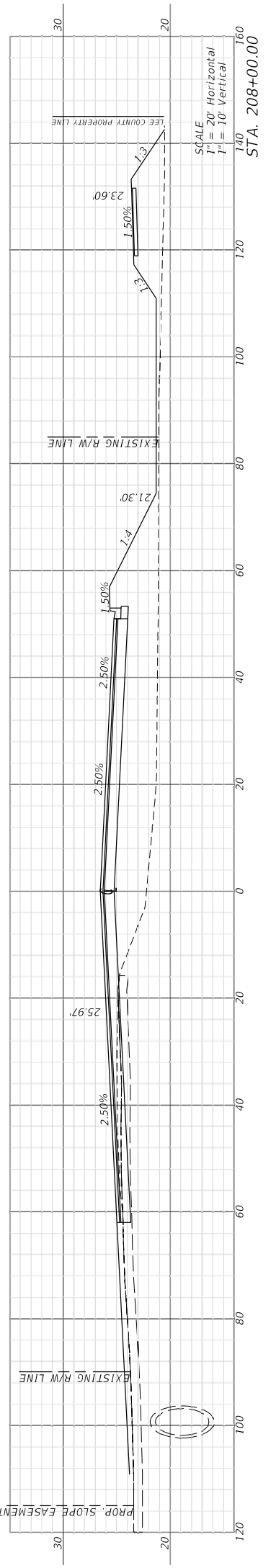
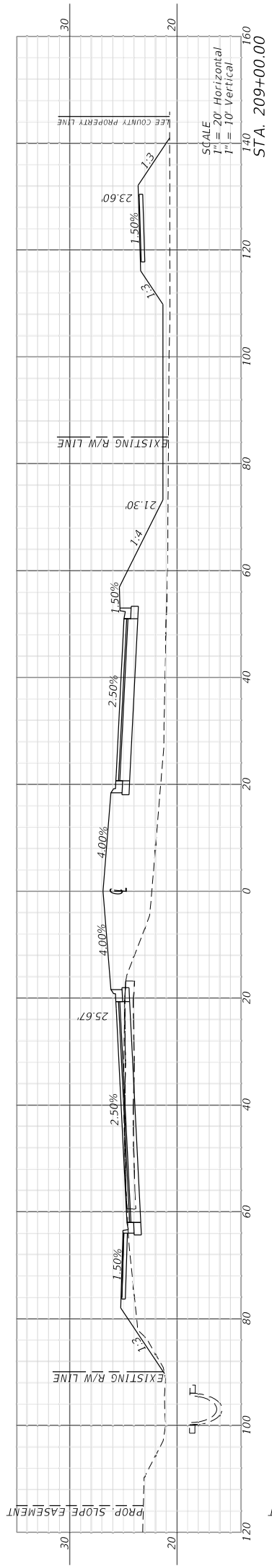
REVISIONS		ENGINEER OF RECORD		DEPARTMENT OF TRANSPORTATION		SHEET NO.
DATE	DESCRIPTION	DATE	DESCRIPTION	ROAD NO.	COUNTY	
					LEE	105

CROSS SECTIONS

RYAN K. BELL, P.E. 60010
 LICENSE NUMBER
 JOHNSON ENGINEERING INC.
 2122 JOHNSON STREET
 FORT WALTERS, FL 32061

LEE COUNTY
 COUNTY
 LEE

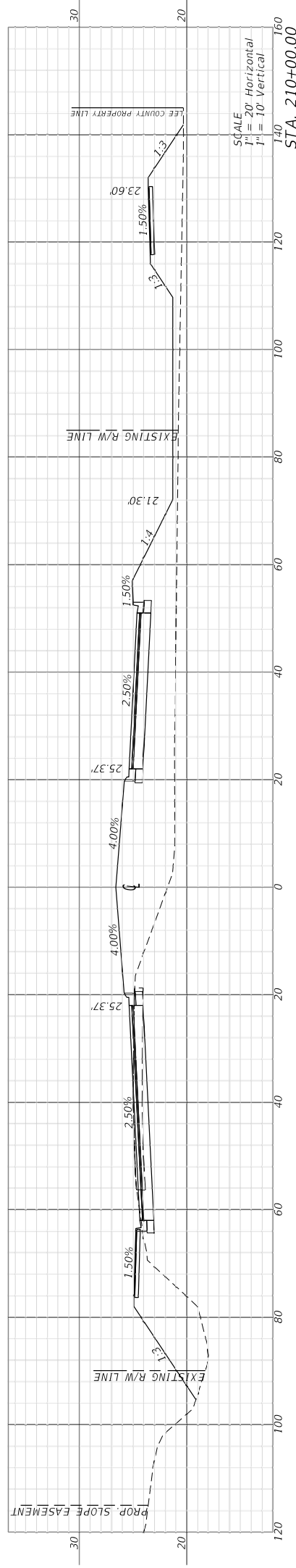
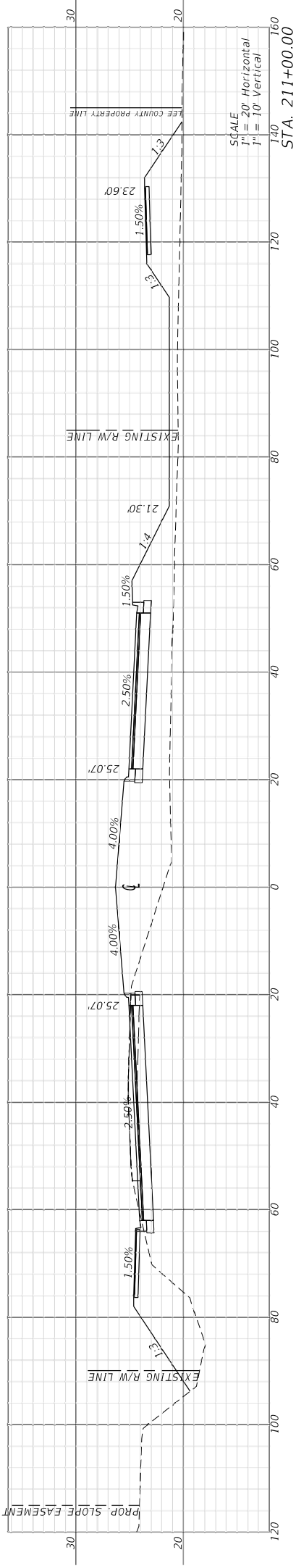
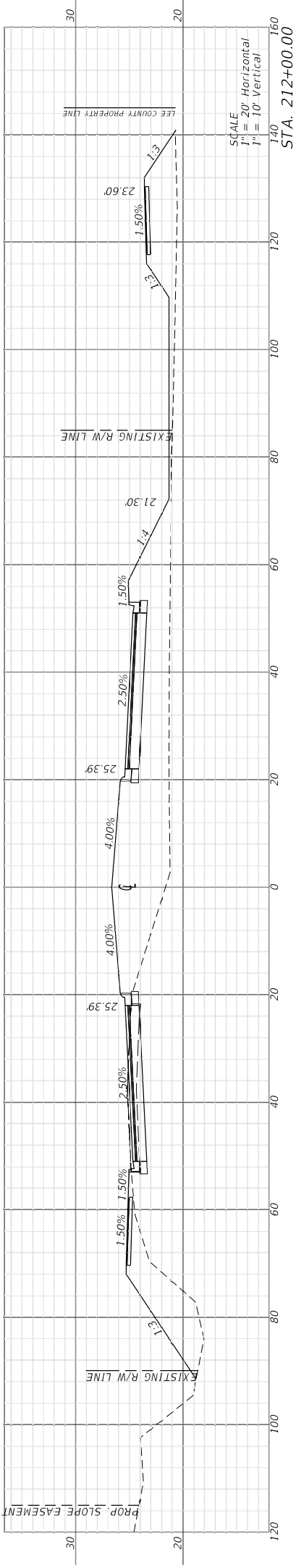
105



REVISIONS		DESCRIPTION		DATE	

ENGINEER OF RECORD		LEE COUNTY	
RYAN K. BELL, P.E. 60010		DEPARTMENT OF TRANSPORTATION	
LICENSE NUMBER 60010		COUNTY	
JOHNSON ENGINEERING INC.		LEE	
2122 JOHNSON STREET		FINANCIAL PROJECT ID	
FORT WALTERS, FL 33901			

CROSS SECTIONS		SHEET NO.
		106



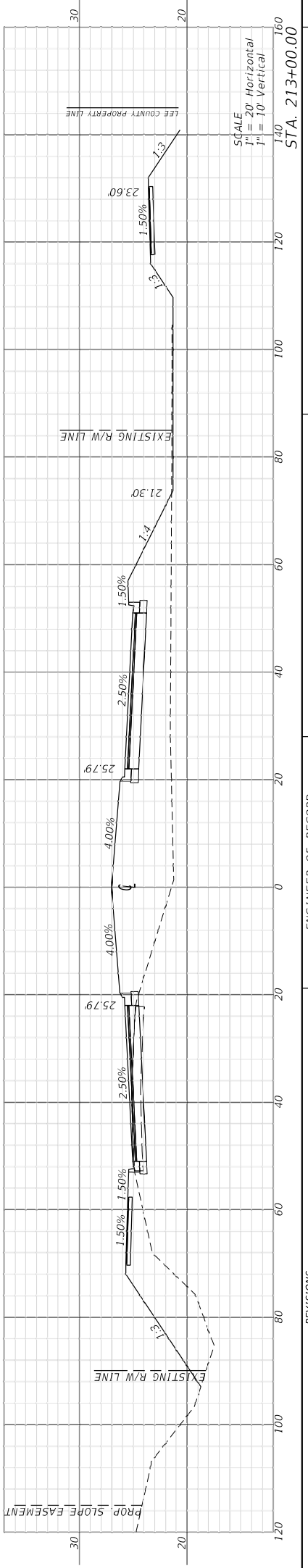
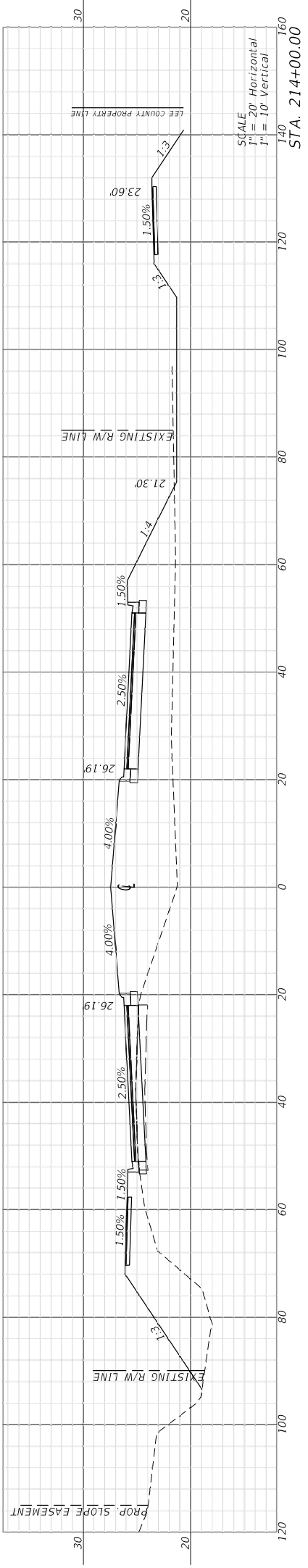
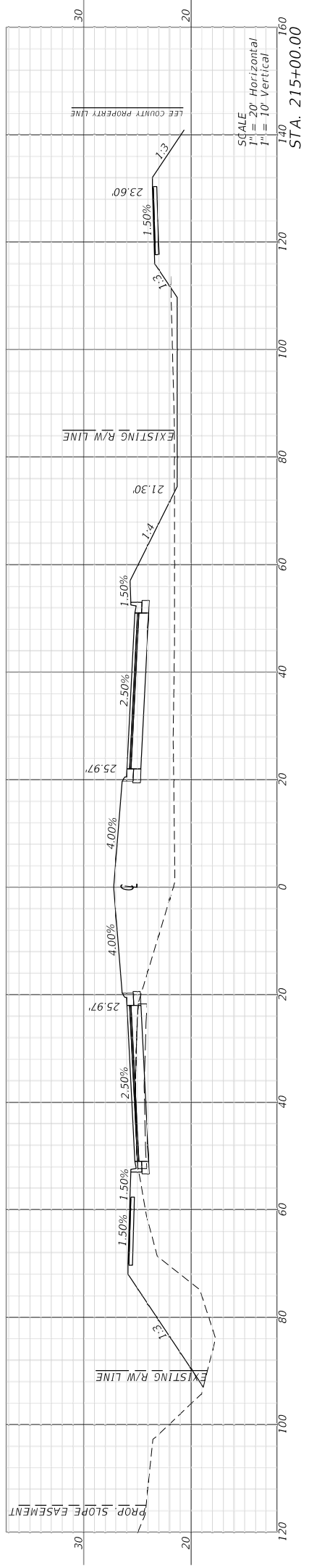
SHEET NO.
107

CROSS SECTIONS

DEPARTMENT OF TRANSPORTATION	
ROAD NO.	COUNTY
	LEE
FINANCIAL PROJECT ID	

ENGINEER OF RECORD
 RYAN K. BELL, P.E. 60010
 LICENSE NUMBER
 JOHNSON ENGINEERING INC.
 2122 JOHNSON STREET
 FORT WALTERS, FL 33001

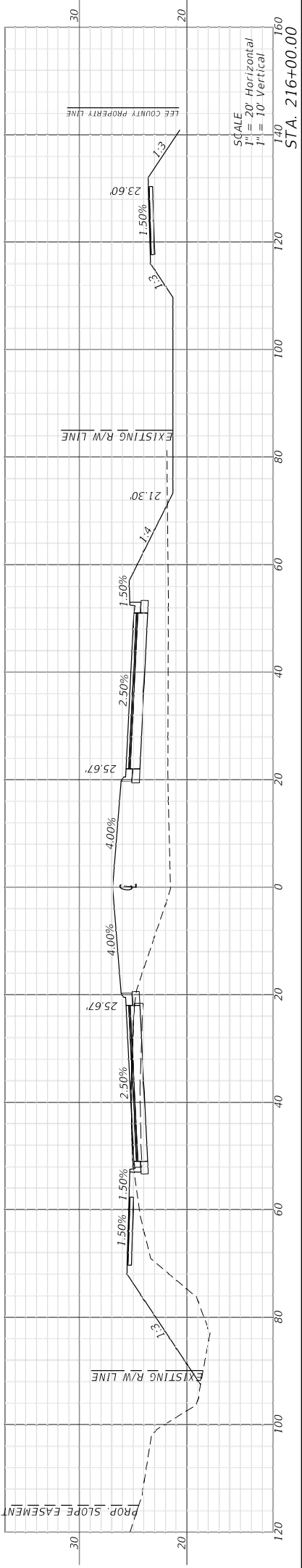
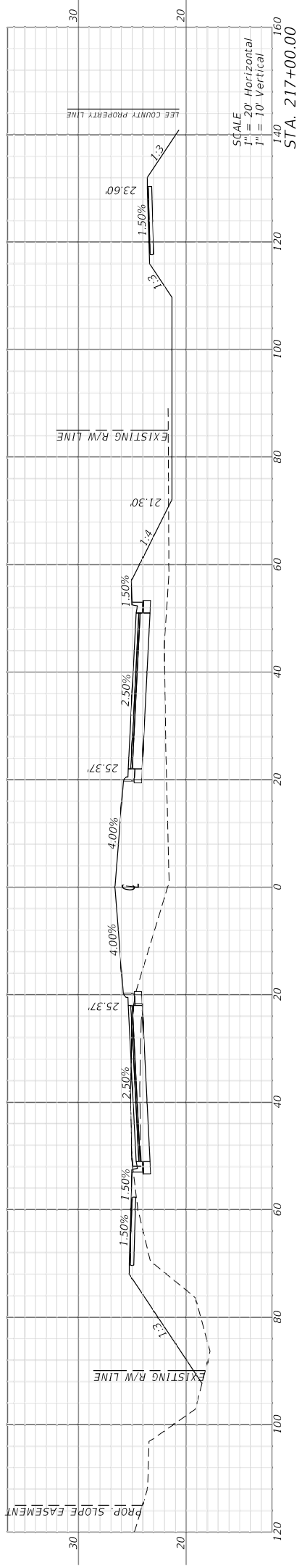
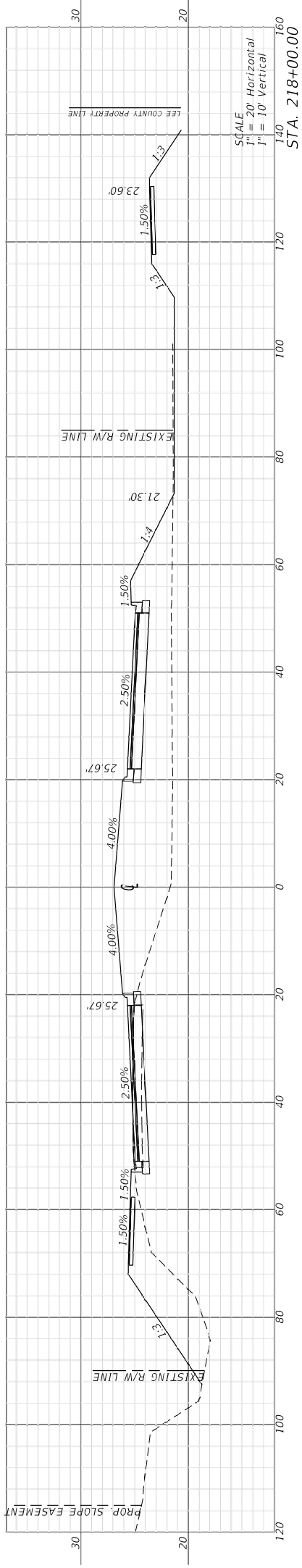
REVISIONS	
DATE	DESCRIPTION



REVISIONS		DESCRIPTION	
DATE		DATE	

ENGINEER OF RECORD		LEE COUNTY	
RYAN K. BELL, P.E. 00010		DEPARTMENT OF TRANSPORTATION	
LICENSE NUMBER 00010		COUNTY	
JOHNSON ENGINEERING INC.		LEE	
2122 JOHNSON STREET		FINANCIAL PROJECT ID	
FORT WALTERS, FL 33801			

CROSS SECTIONS		SHEET NO.
		108



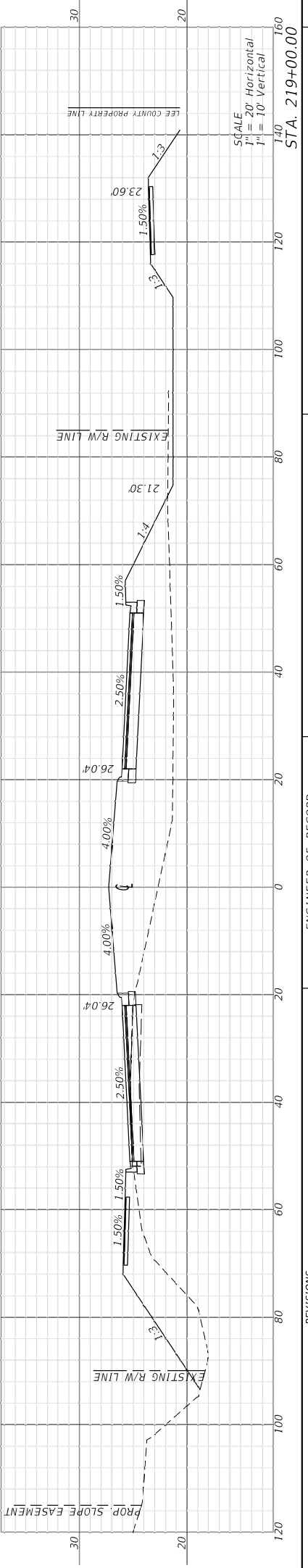
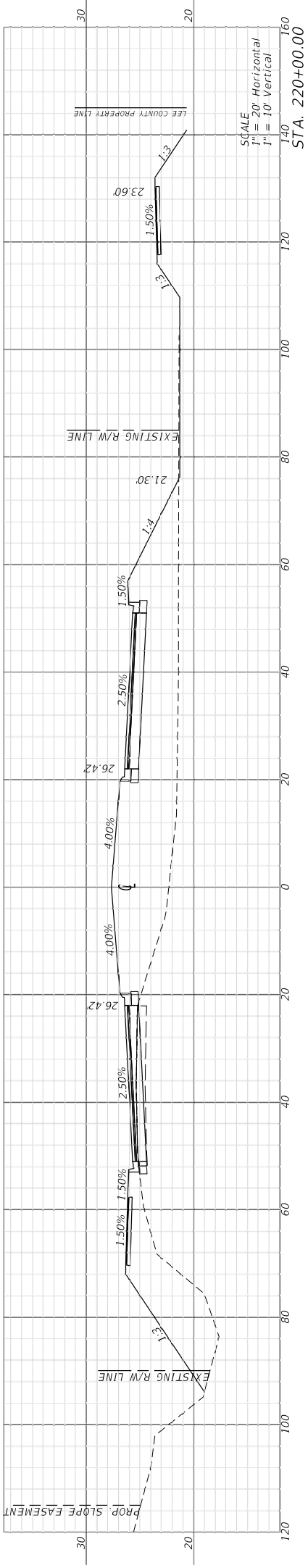
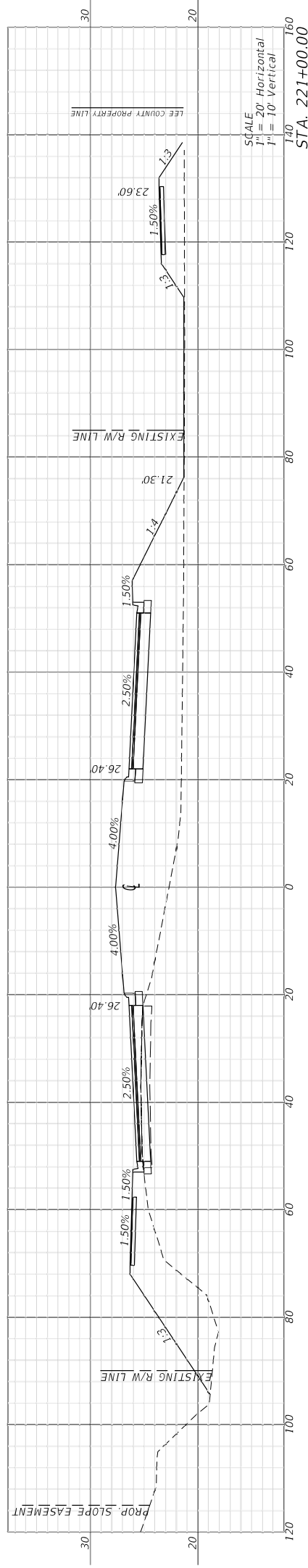
SHEET NO.
109

CROSS SECTIONS

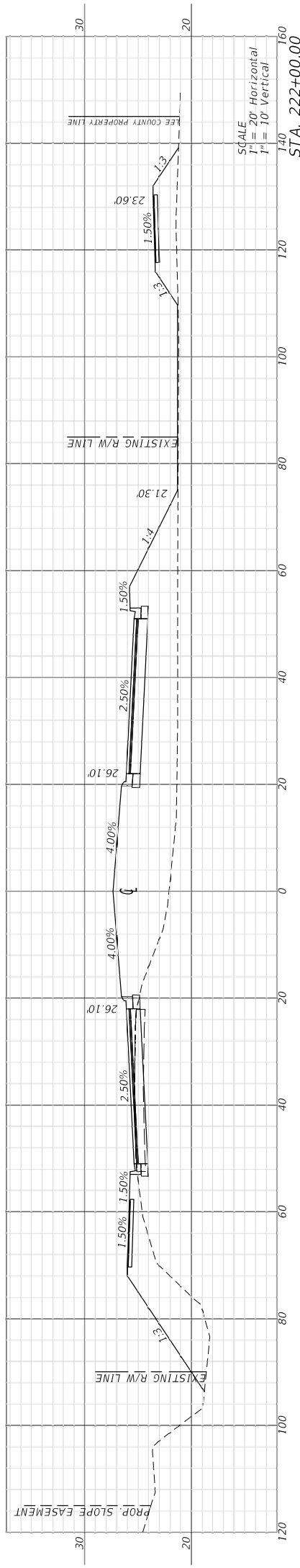
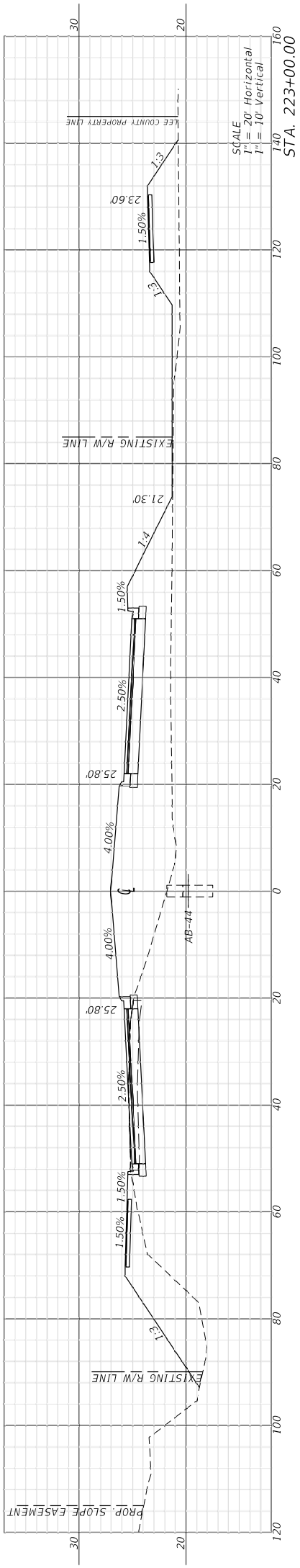
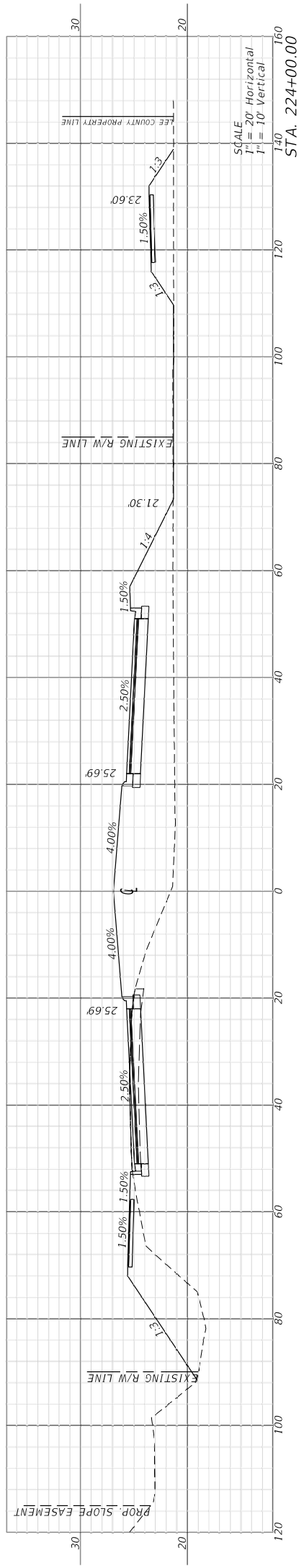
LEE COUNTY	
DEPARTMENT OF TRANSPORTATION	
ROAD NO.	COUNTY
	LEE
FINANCIAL PROJECT ID	

ENGINEER OF RECORD
 RYAN K. BELL, P.E. 60010
 LICENSE NUMBER
 JOHNSON ENGINEERING INC.
 2122 JOHNSON STREET
 FORT MYERS, FL 33901

REVISIONS	
DATE	DESCRIPTION



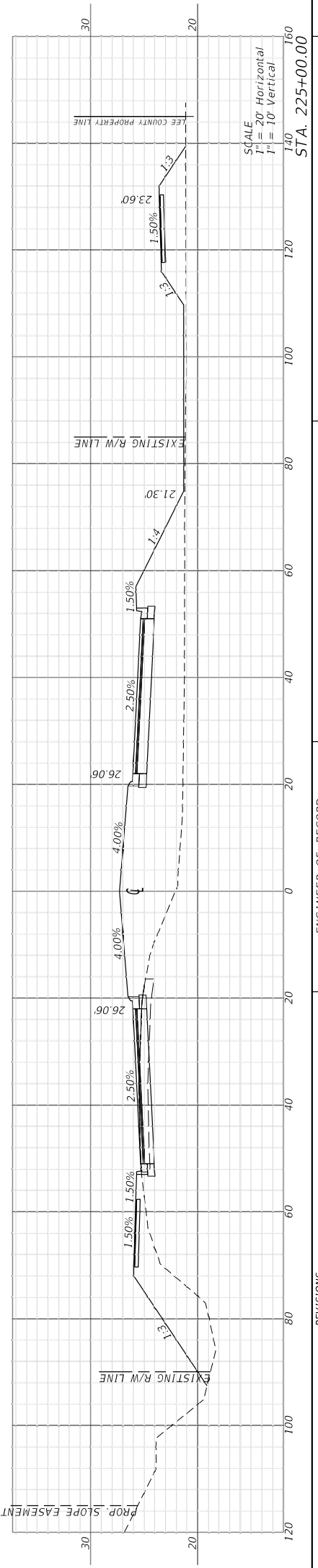
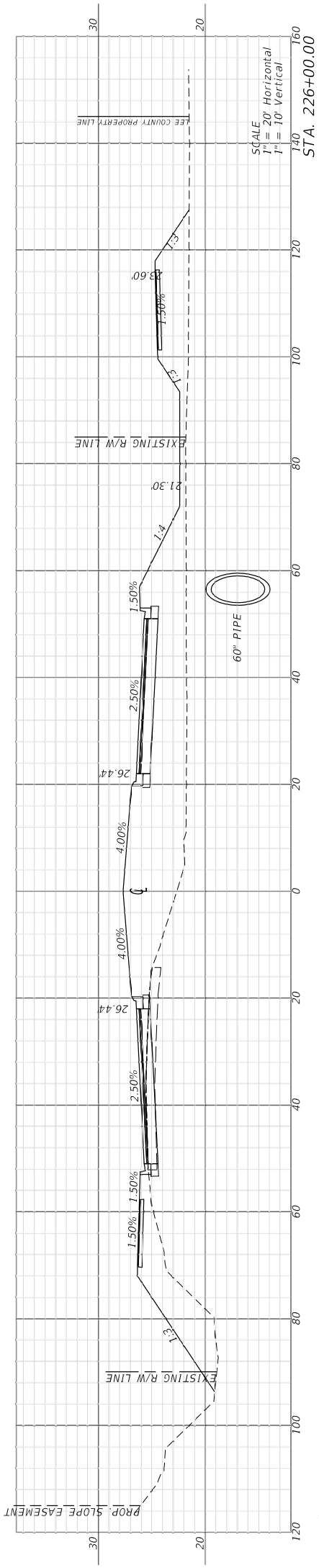
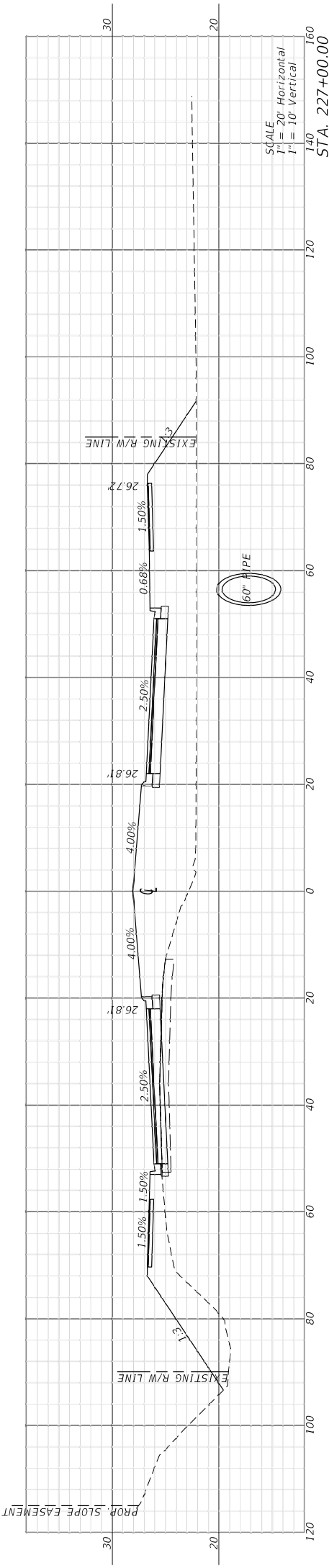
DATE		REVISIONS		DESCRIPTION		ENGINEER OF RECORD		DEPARTMENT OF TRANSPORTATION		CROSS SECTIONS		SHEET NO.	
						RYAN K. BELL, P.E. 60010 LICENSE NUMBER JOHNSON ENGINEERING INC. 2122 JOHNSON STREET FORT MYERS, FL 33901		LEE COUNTY COUNTY		FINANCIAL PROJECT ID LEE		110	



REVISIONS		DESCRIPTION	
DATE	DESCRIPTION	DATE	DESCRIPTION

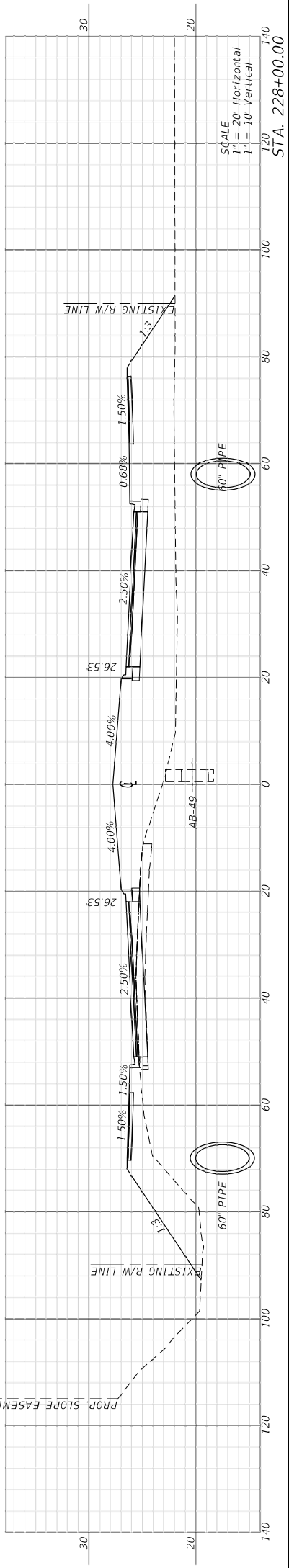
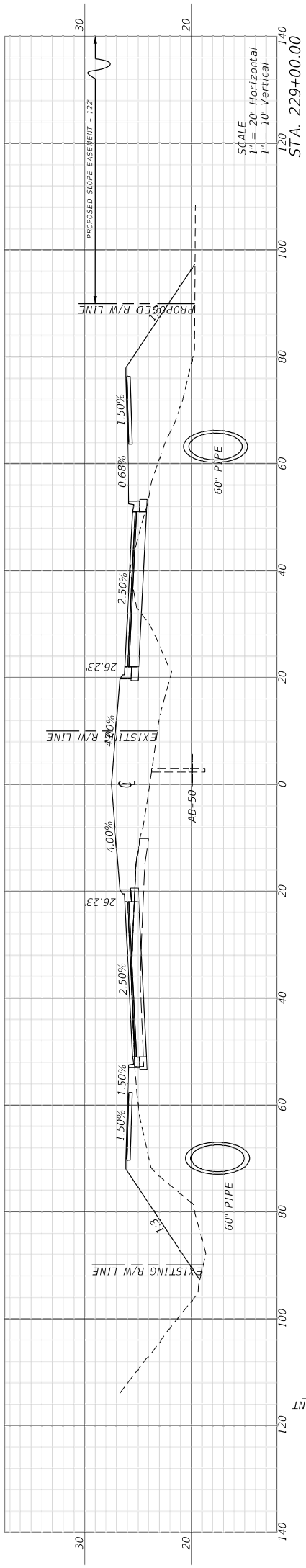
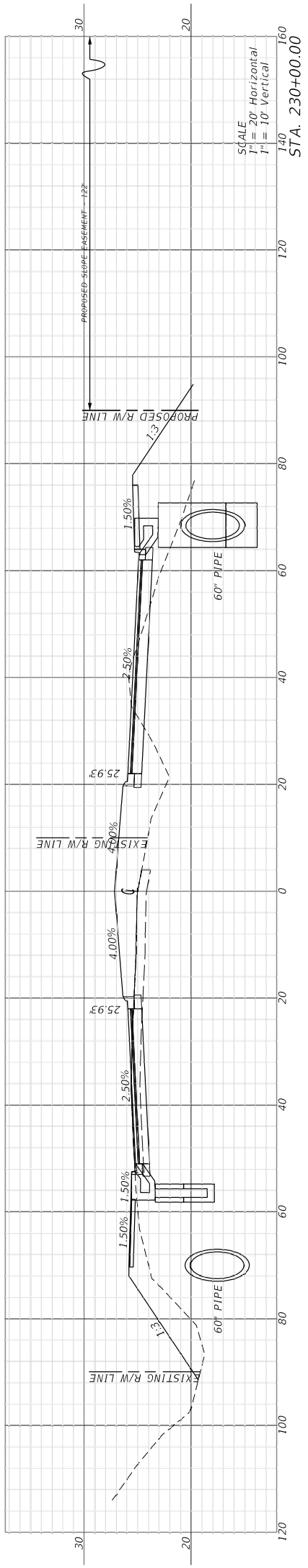
ENGINEER OF RECORD		RYAN K. BELL, P.E. 60010 LICENSE NUMBER JOHNSON ENGINEERING INC. 2122 JOHNSON STREET FORT MYERS, FL 33901	
DEPARTMENT OF TRANSPORTATION		LEE COUNTY	
ROAD NO.	COUNTY	FINANCIAL PROJECT ID	
	LEE		

CROSS SECTIONS		SHEET NO.
		III



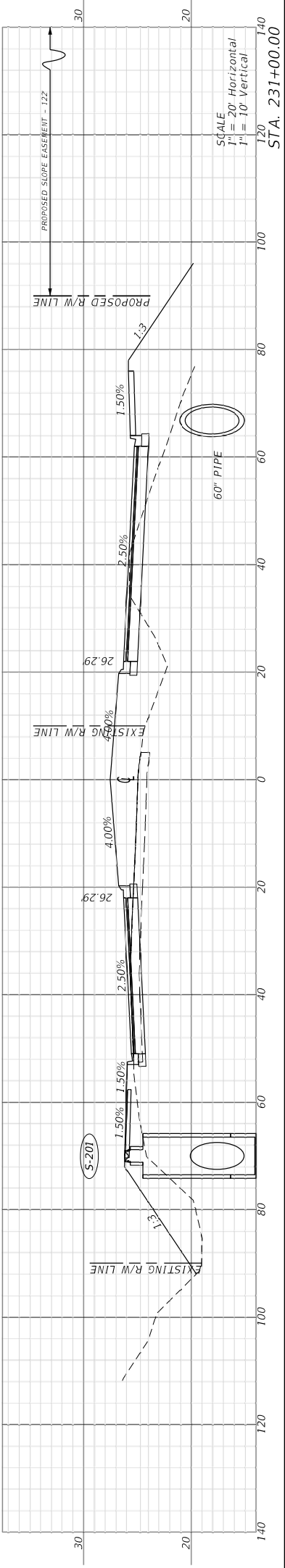
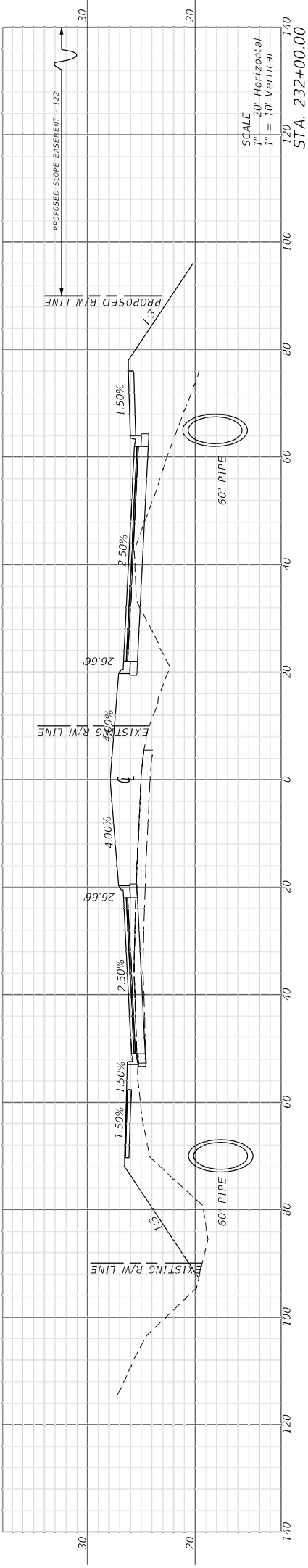
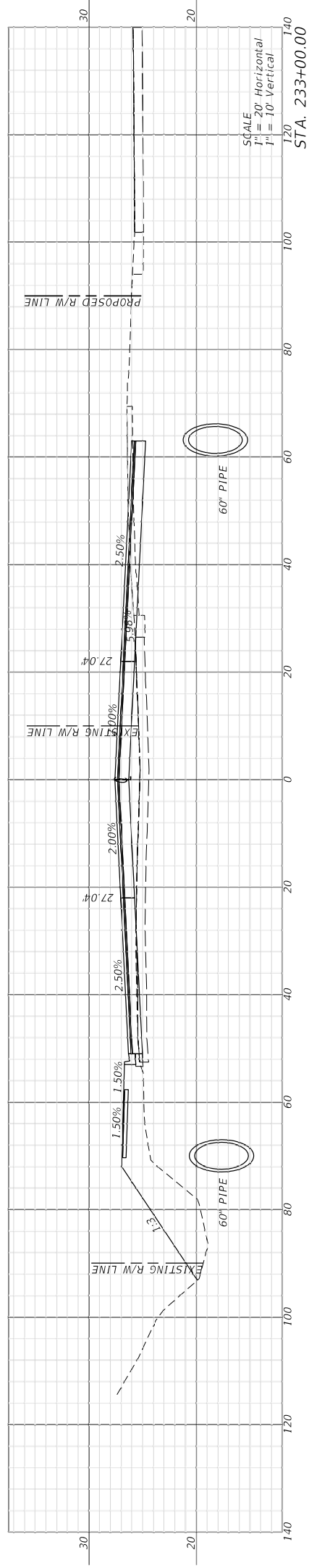
REVISIONS		ENGINEER OF RECORD		DEPARTMENT OF TRANSPORTATION		SHEET NO.	
DATE	DESCRIPTION	DATE	DESCRIPTION	ROAD NO.	COUNTY	FINANCIAL PROJECT ID	NO.
		RYAN K. BELL, P.E. 60010			LEE		112
		LICENS. NUMBER					
		JOHNSON ENGINEERING INC.					
		2122 JOHNSON STREET					
		FORT WALTERS, FL 32061					

CROSS SECTIONS



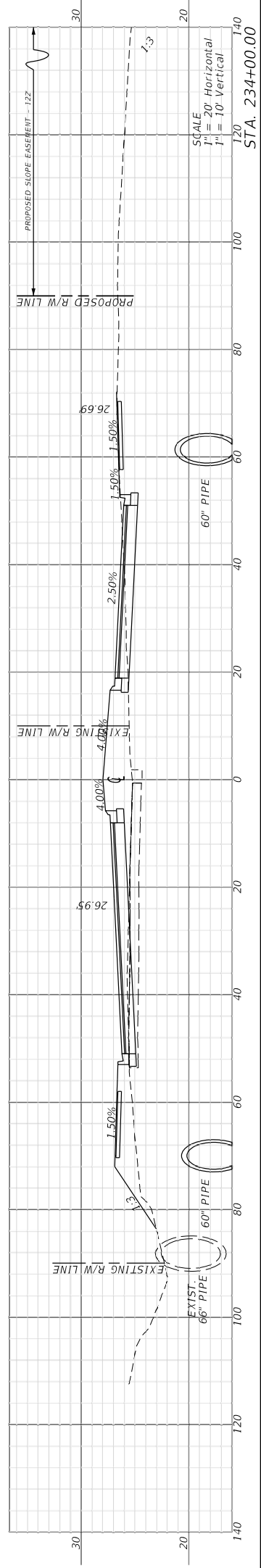
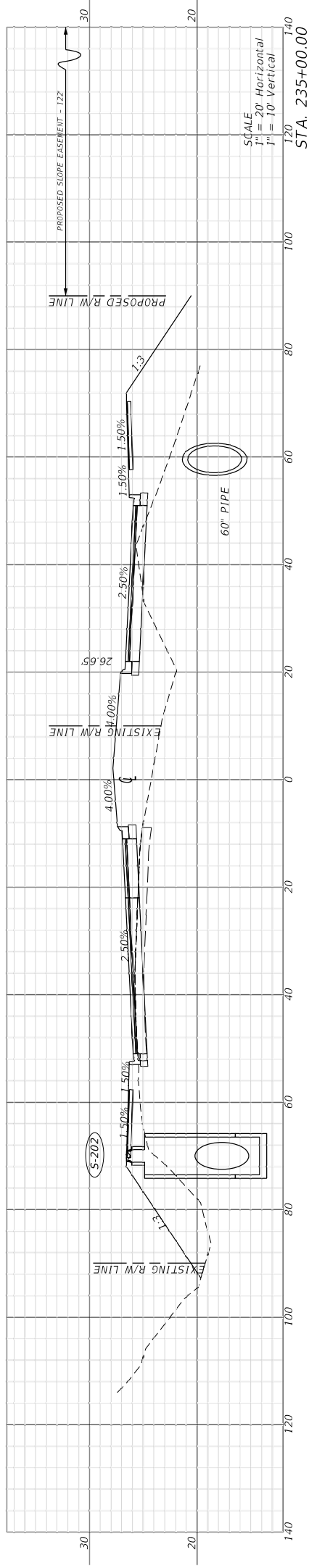
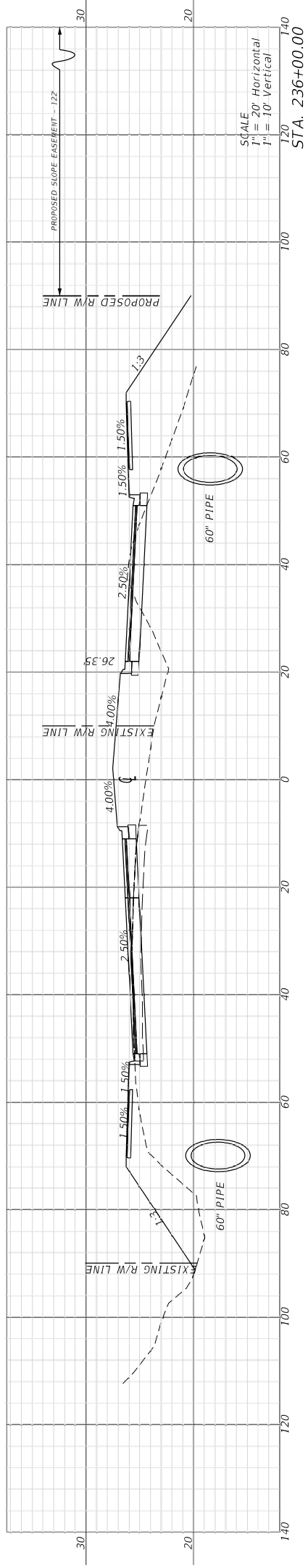
REVISIONS		ENGINEER OF RECORD		DEPARTMENT OF TRANSPORTATION		SHEET NO.	
DATE	DESCRIPTION	RYAN K. BELL, P.E.	LEE COUNTY	ROAD NO.	COUNTY	FINANCIAL PROJECT ID	NO.
		LICENSE NUMBER: 60010 JOHNSON ENGINEERING INC. 2122 JOHNSON STREET FORT WALTERS, FL 32061	LEE		LEE		113

CROSS SECTIONS



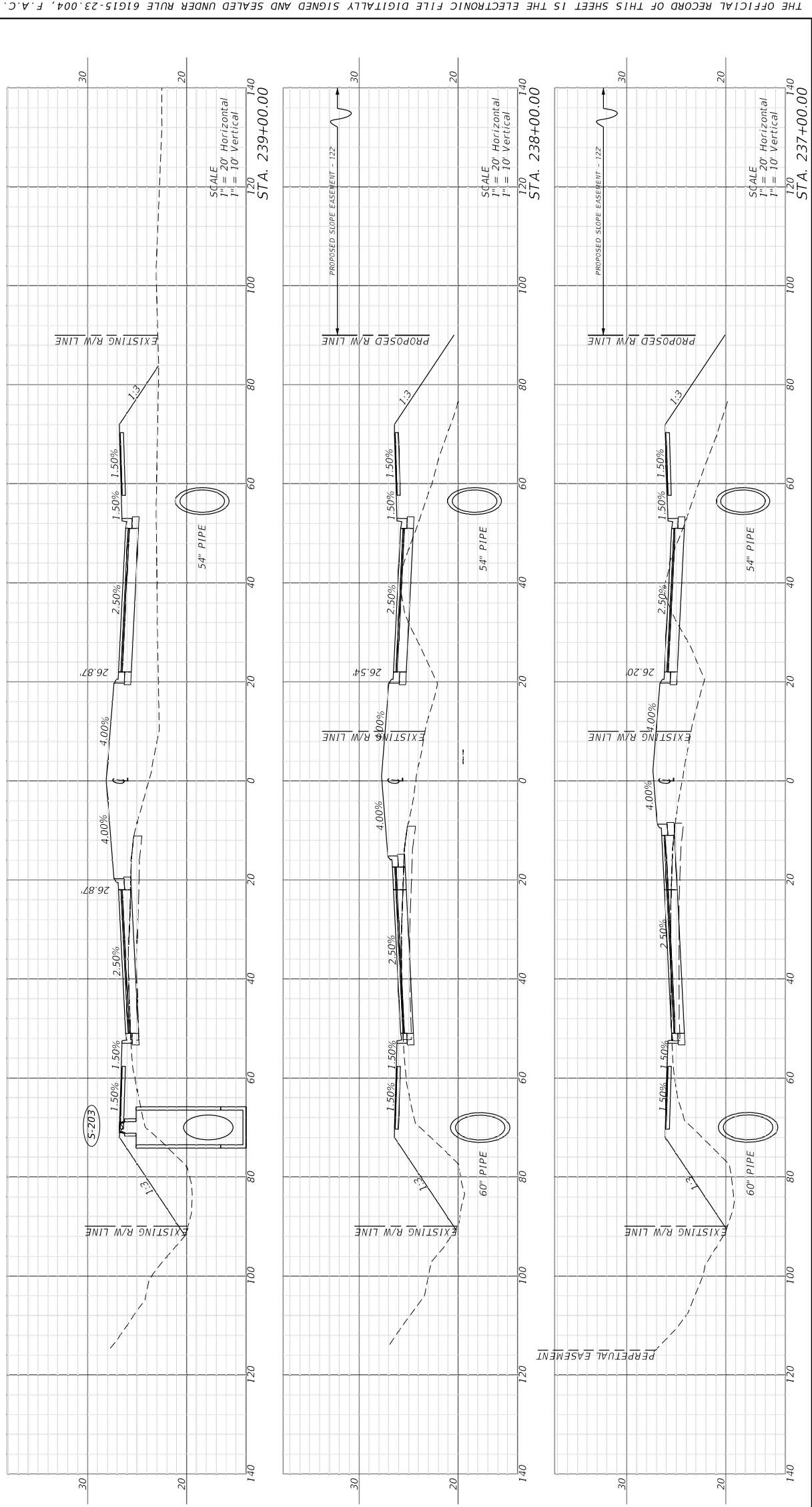
REVISIONS		ENGINEER OF RECORD		DEPARTMENT OF TRANSPORTATION		SHEET NO.	
DATE	DESCRIPTION	DATE	DESCRIPTION	ROAD NO.	COUNTY	FINANCIAL PROJECT ID	NO.
		RYAN K. BELL, P.E. 60010 LICENSE NUMBER JOHNSON ENGINEERING INC. 2122 JOHNSON STREET FORT WALTERS, FL 32067			LEE		114

CROSS SECTIONS



REVISIONS		ENGINEER OF RECORD		DEPARTMENT OF TRANSPORTATION		SHEET NO.	
DATE	DESCRIPTION	DATE	DESCRIPTION	ROAD NO.	COUNTY	FINANCIAL PROJECT ID	NO.
		RYAN K. BELL, P.E.			LEE		115
		LICENSE NUMBER: 60010					
		JOHNSON ENGINEERING INC.					
		2122 JOHNSON STREET					
		FORT MYERS, FL 33901					

CROSS SECTIONS



SCALE
 $1'' = 20'$ Horizontal
 $1'' = 10'$ Vertical

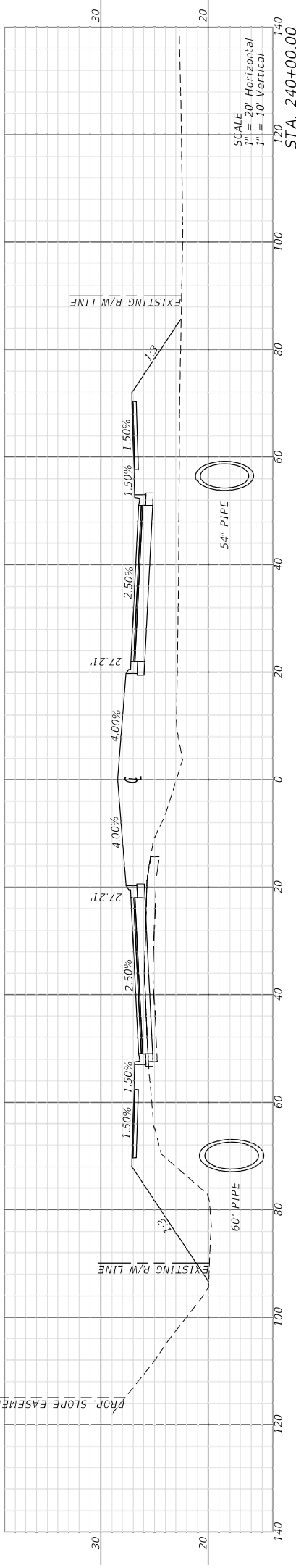
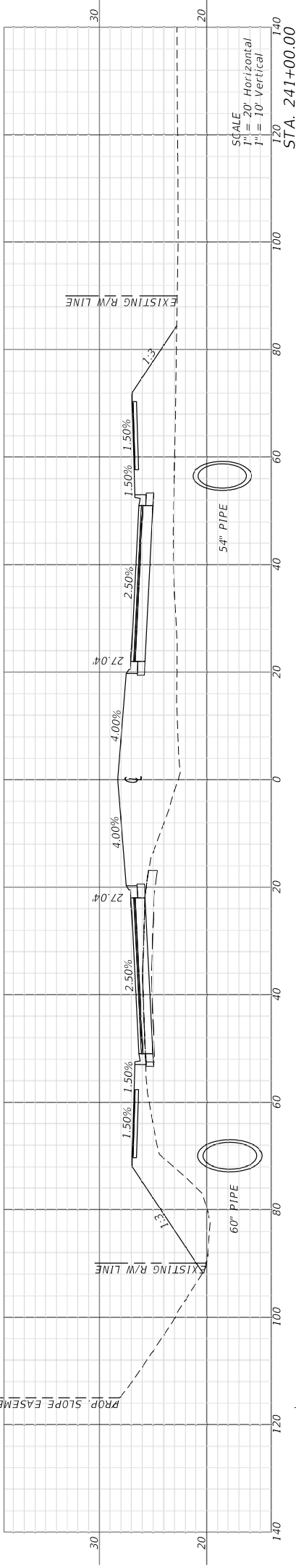
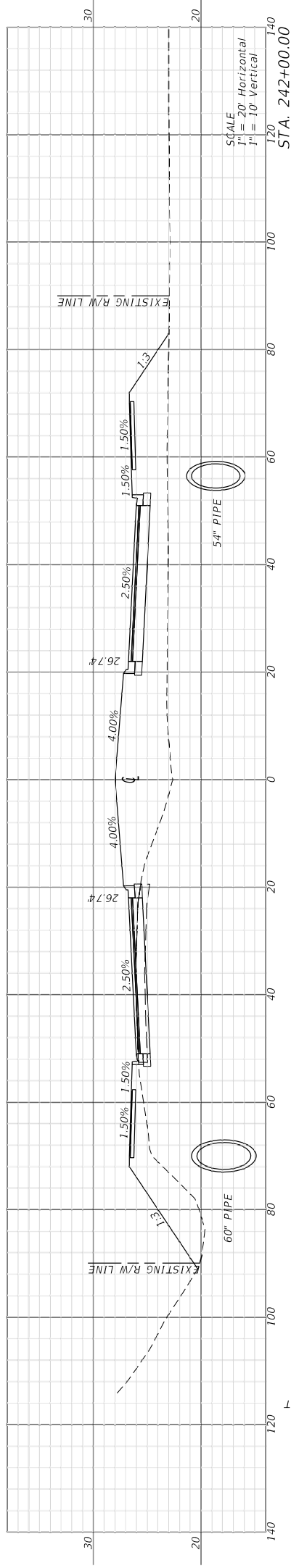
SHEET NO. 116

CROSS SECTIONS

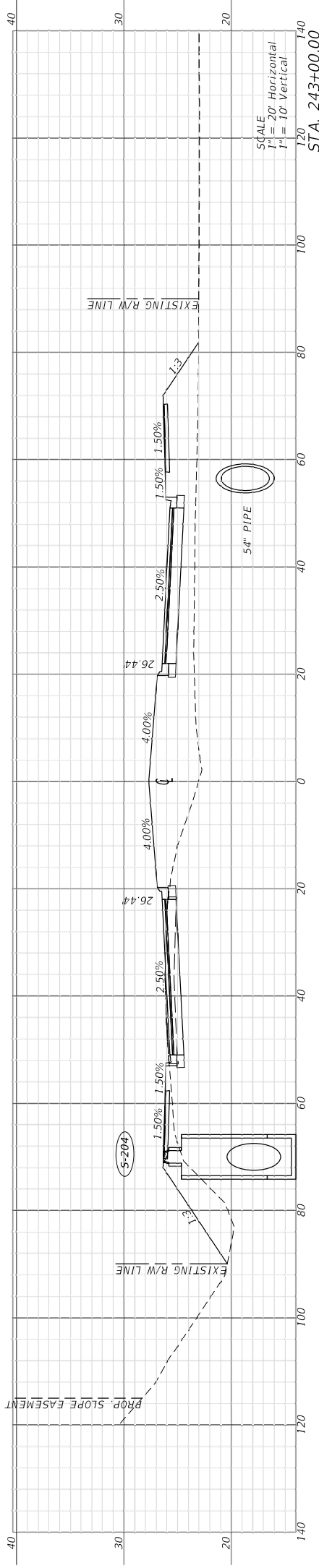
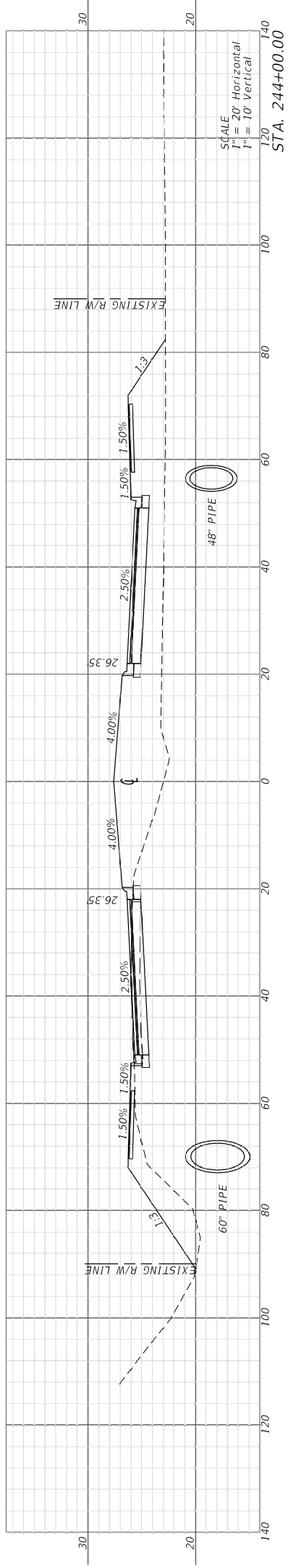
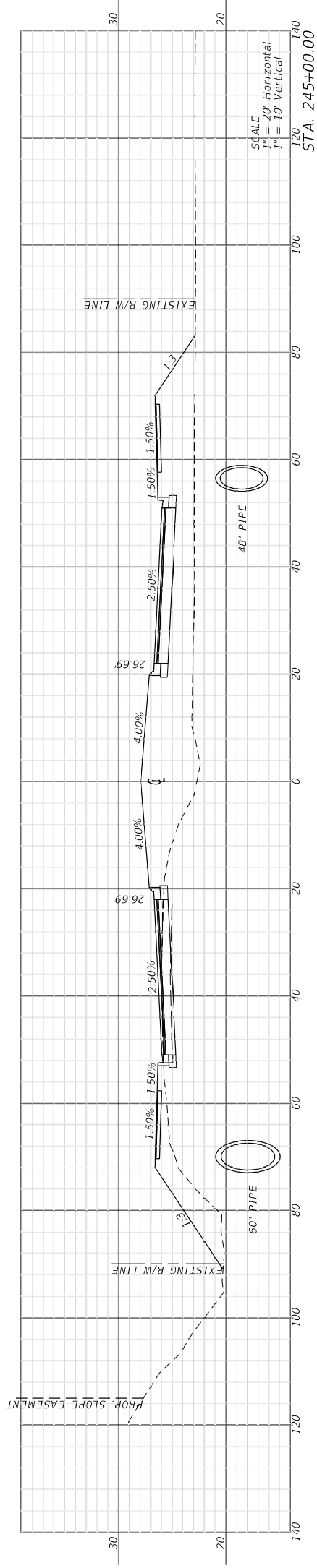
DEPARTMENT OF TRANSPORTATION
 ROAD NO. COUNTY FINANCIAL PROJECT ID
 LEE COUNTY LEE

ENGINEER OF RECORD
 RYAN K. BELL, P.E. 60010
 LICENSE NUMBER
 JOHNSON ENGINEERING INC.
 2122 JOHNSON STREET
 FORT WALTERS, FL 32061

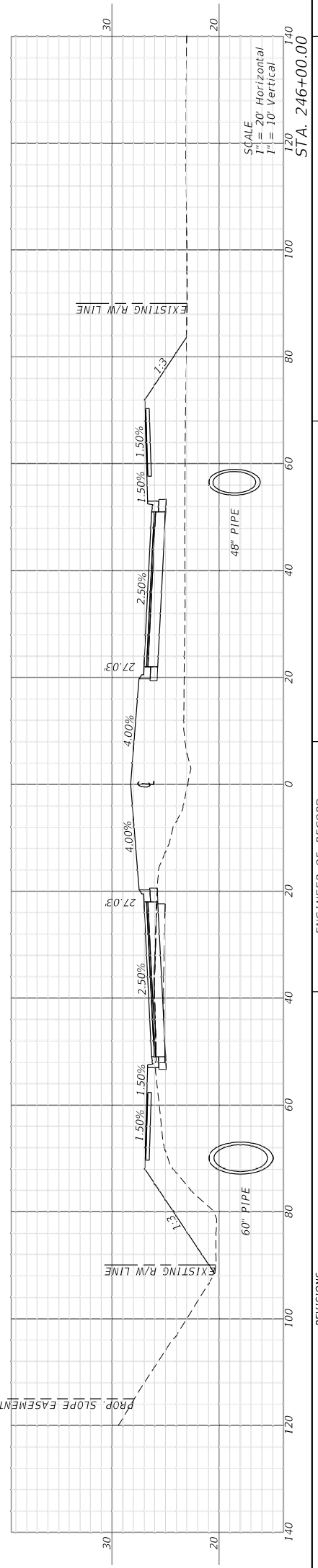
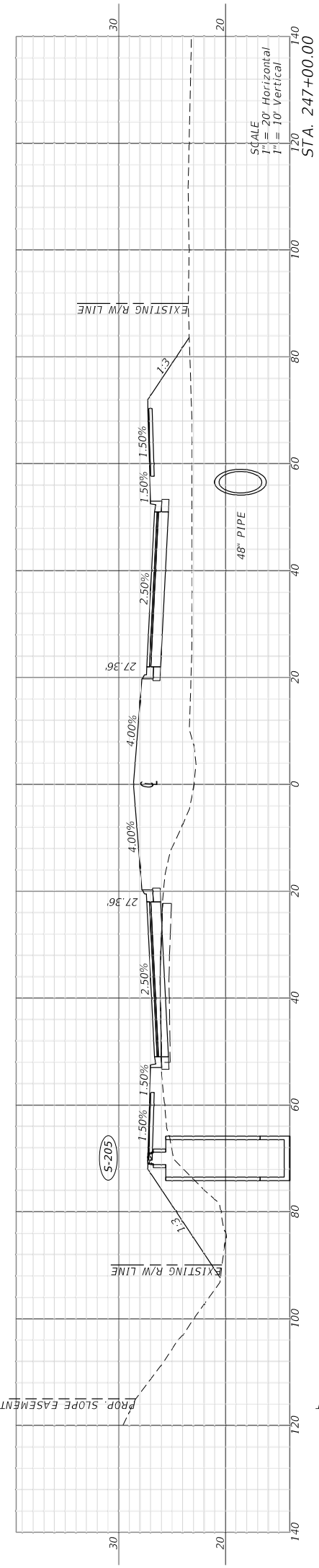
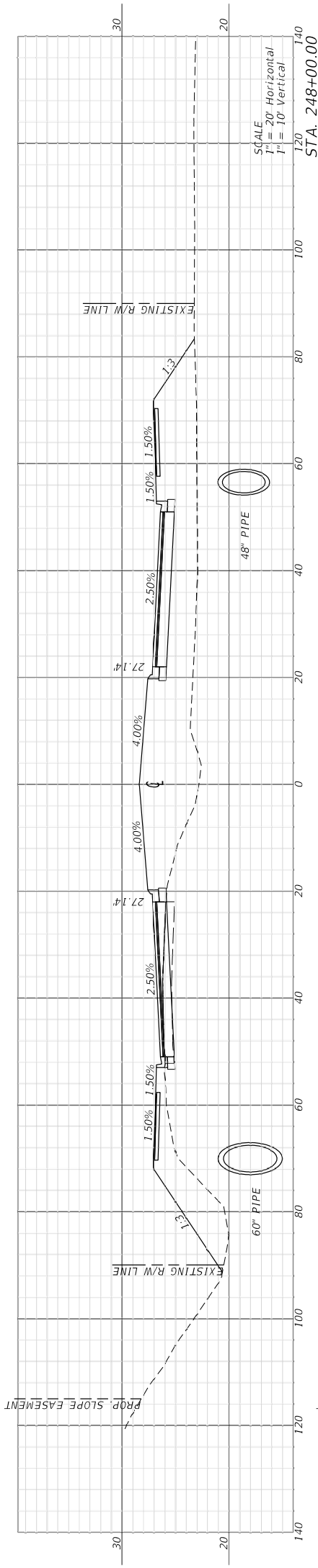
REVISIONS	DATE	DESCRIPTION



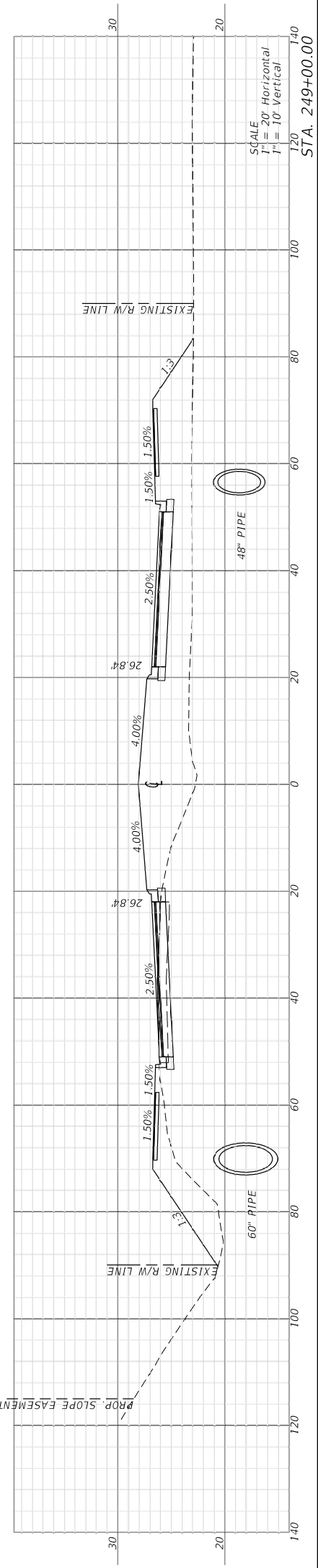
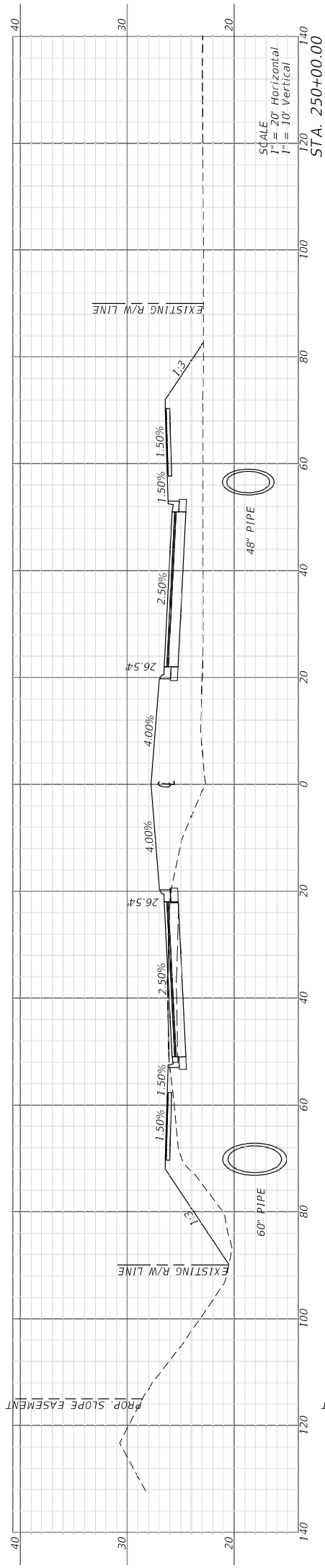
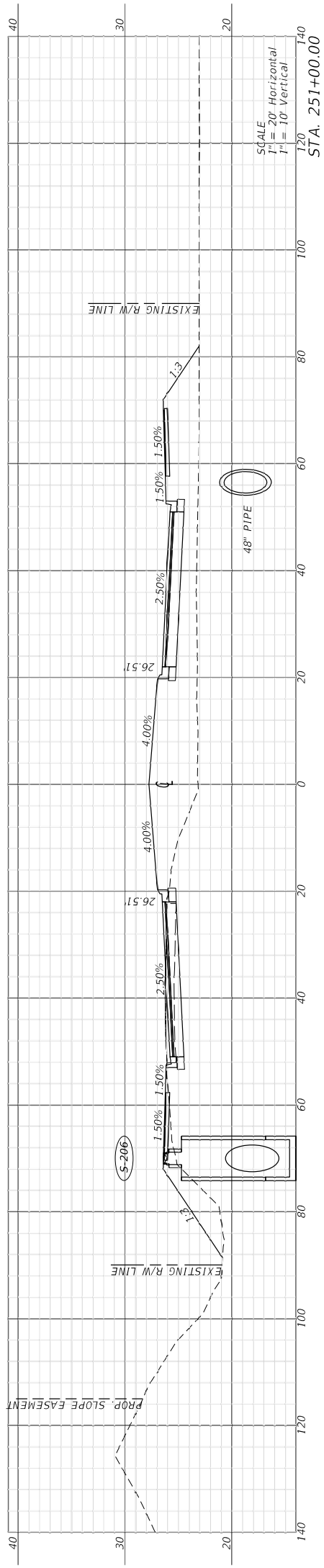
REVISIONS		ENGINEER OF RECORD		DEPARTMENT OF TRANSPORTATION		SHEET NO.	
DATE	DESCRIPTION	DATE	DESCRIPTION	ROAD NO.	COUNTY	FINANCIAL PROJECT ID	NO.
			RYAN K. BELL, P.E. 60010 LICENSE NUMBER JOHNSON ENGINEERING INC. 2122 JOHNSON STREET FORT WALTERS, FL 33801		LEE		117
				CROSS SECTIONS			



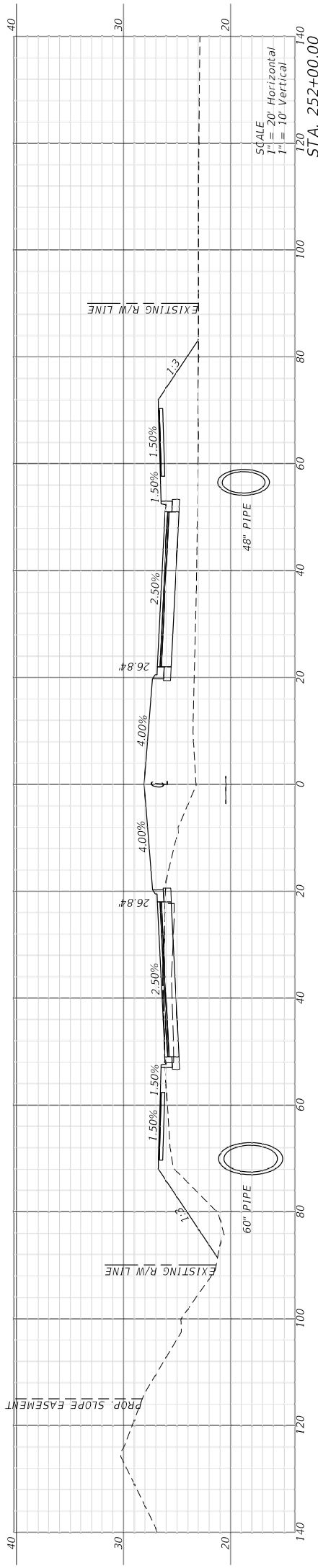
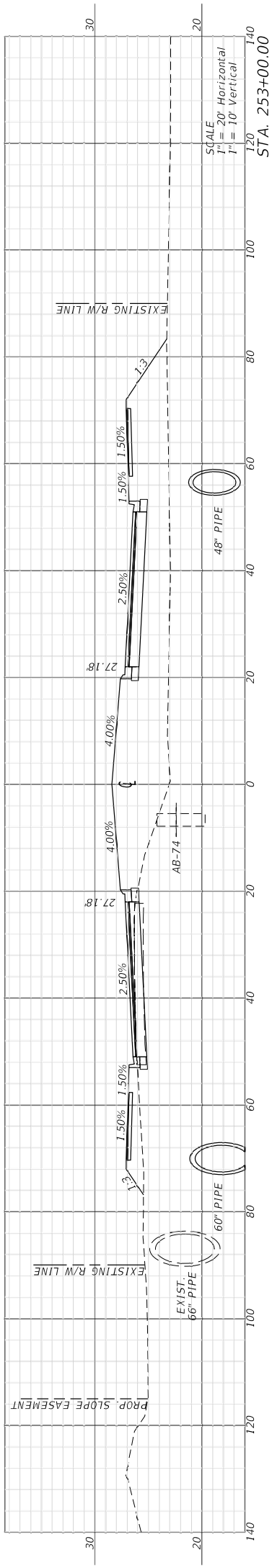
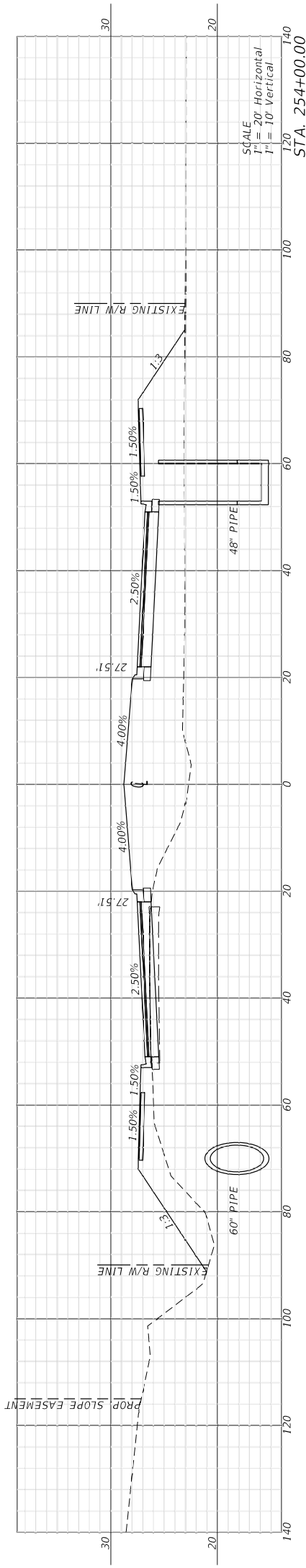
REVISIONS		ENGINEER OF RECORD		DEPARTMENT OF TRANSPORTATION		SHEET NO.	
DATE	DESCRIPTION	DATE	DESCRIPTION	ROAD NO.	COUNTY	FINANCIAL PROJECT ID	NO.
					LEE		118
		RYAN K. BELL, P.E. 60010 LICENSE NUMBER JOHNSON ENGINEERING INC. 2122 JOHNSON STREET FORT MYERS, FL 33901		LEE COUNTY COUNTY		CROSS SECTIONS	



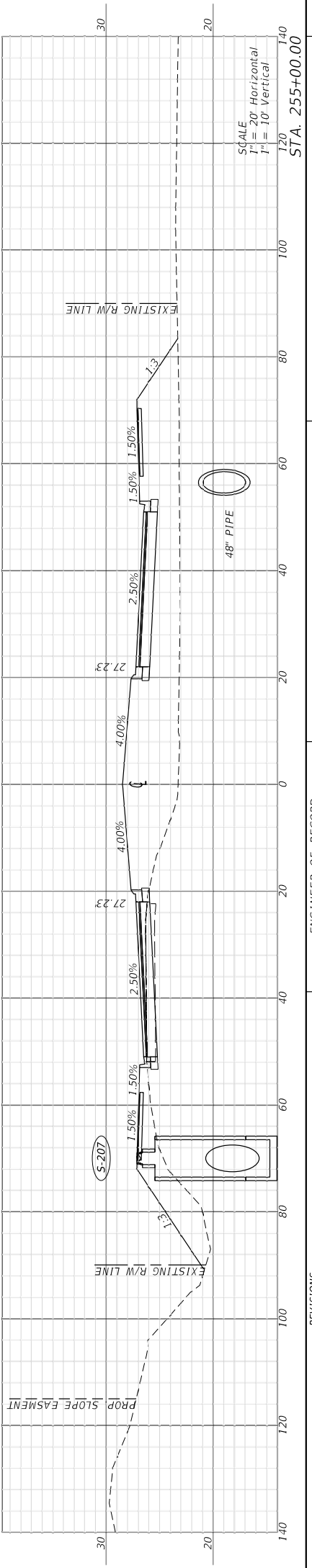
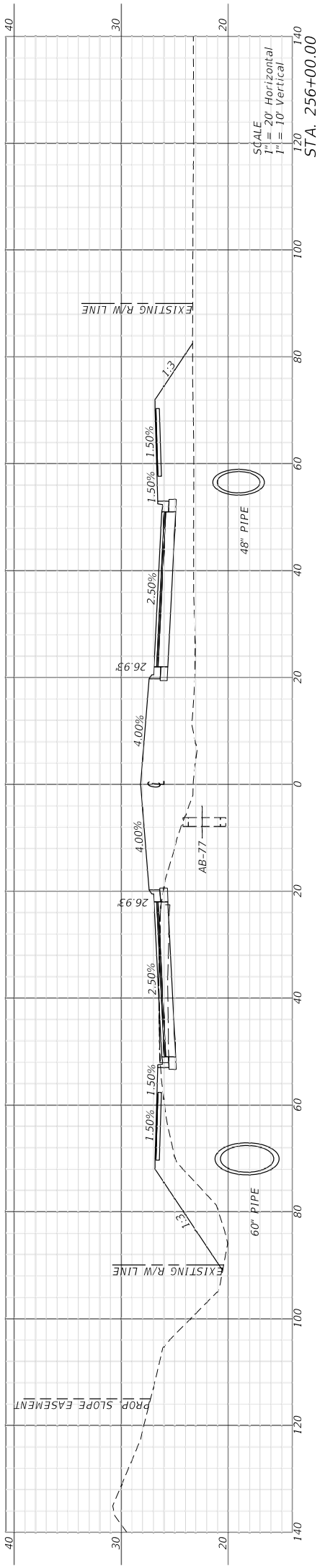
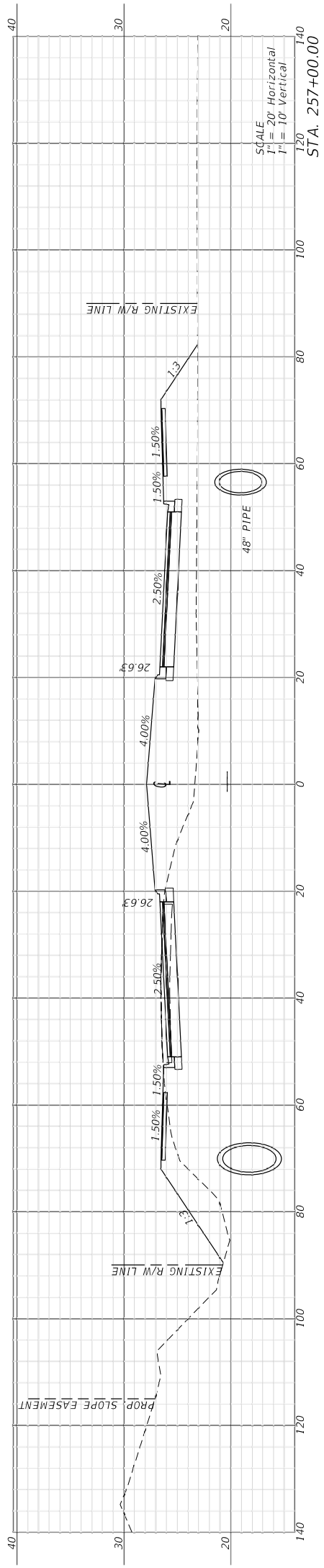
REVISIONS		ENGINEER OF RECORD		DEPARTMENT OF TRANSPORTATION		SHEET NO.	
DATE	DESCRIPTION	DATE	DESCRIPTION	ROAD NO.	COUNTY	FINANCIAL PROJECT ID	NO.
					LEE		119
		RYAN K. BELL, P.E. 60010 LICENSE NUMBER JOHNSON ENGINEERING INC. 2122 JOHNSON STREET FORT MYERS, FL 33901		LEE COUNTY			
CROSS SECTIONS							



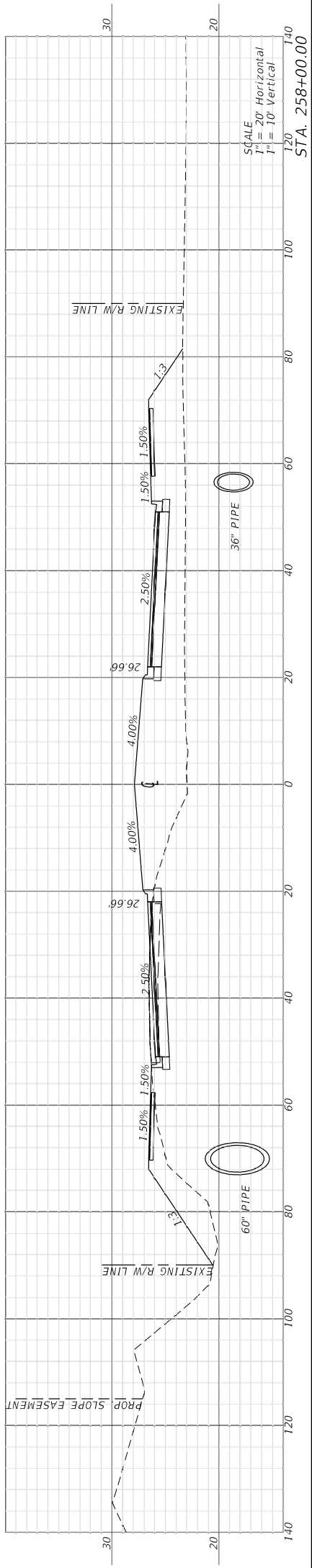
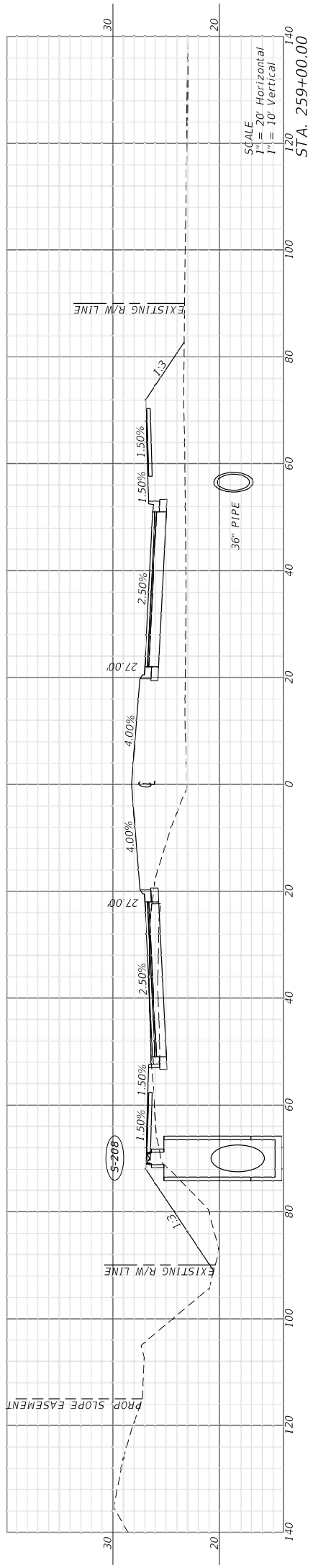
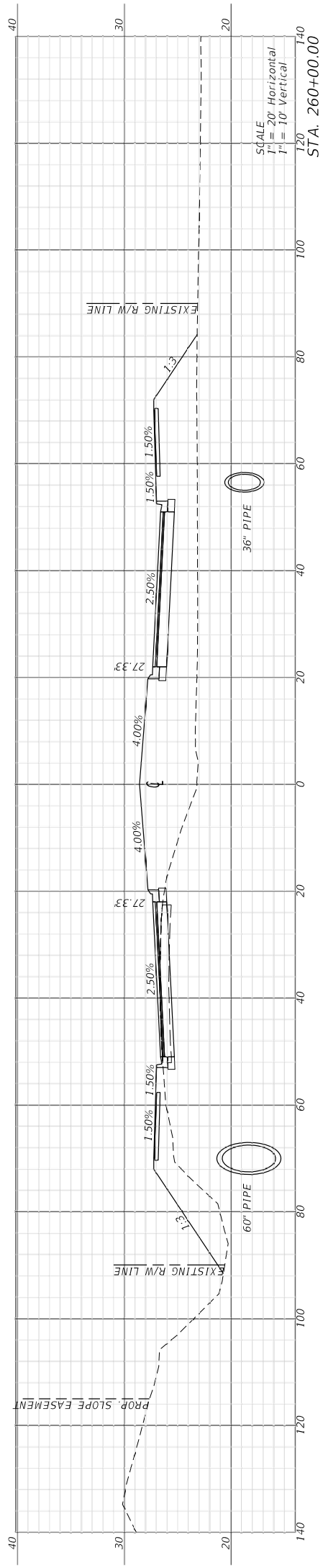
REVISIONS		ENGINEER OF RECORD		DEPARTMENT OF TRANSPORTATION		SHEET NO.	
DATE	DESCRIPTION	DATE	DESCRIPTION	ROAD NO.	COUNTY	FINANCIAL PROJECT ID	NO.
					LEE		120
		RYAN K. BELL, P.E. 60010 LICENSE NUMBER JOHNSON ENGINEERING INC. 2122 JOHNSON STREET FORT MYERS, FL 33901		LEE COUNTY COUNTY		CROSS SECTIONS	



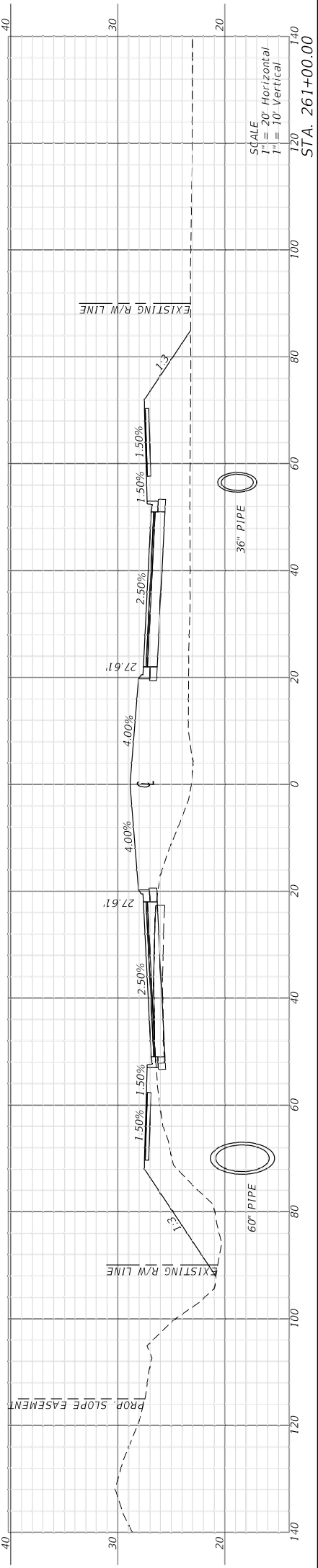
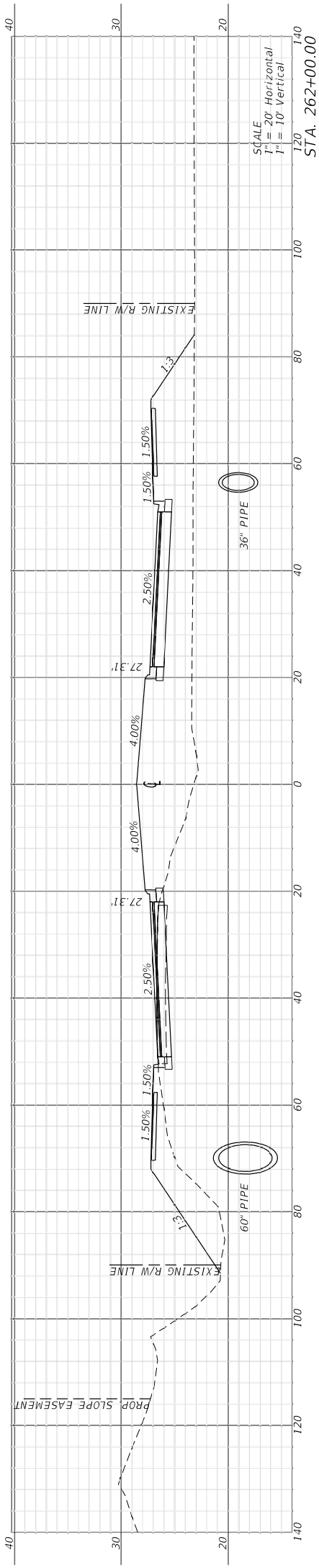
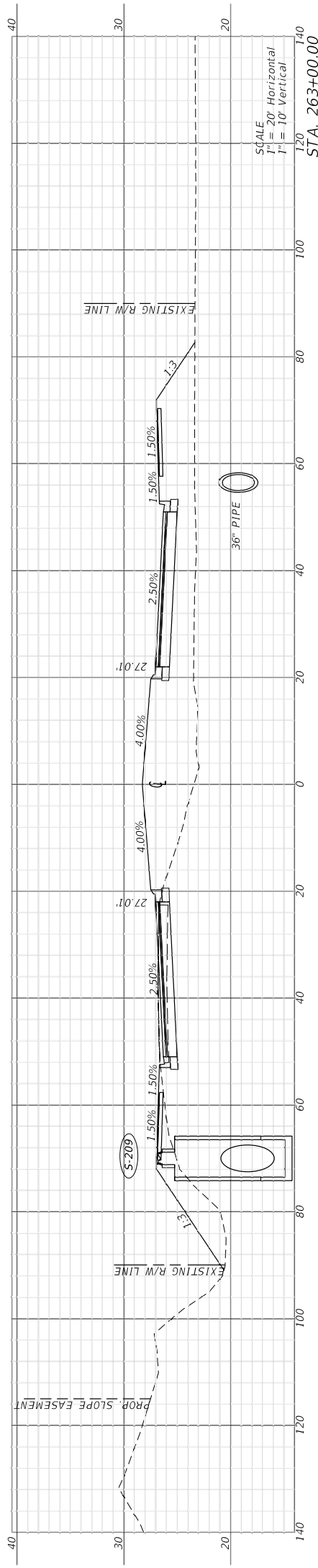
REVISIONS		ENGINEER OF RECORD		DEPARTMENT OF TRANSPORTATION		SHEET NO.	
DATE	DESCRIPTION	DATE	DESCRIPTION	ROAD NO.	COUNTY	FINANCIAL PROJECT ID	NO.
			RYAN K. BELL, P.E. 60010 LICENSE NUMBER JOHNSON ENGINEERING INC. 2122 JOHNSON STREET FORT MYERS, FL 33901		LEE		121
				CROSS SECTIONS			



REVISIONS		ENGINEER OF RECORD		DEPARTMENT OF TRANSPORTATION		SHEET NO.	
DATE	DESCRIPTION	DATE	DESCRIPTION	ROAD NO.	COUNTY	FINANCIAL PROJECT ID	
					LEE		122
		RYAN K. BELL, P.E. 60010 LICENSE NUMBER JOHNSON ENGINEERING INC. 2122 JOHNSON STREET FORT MYERS, FL 33901					
				LEE COUNTY			
				LEE			
						CROSS SECTIONS	

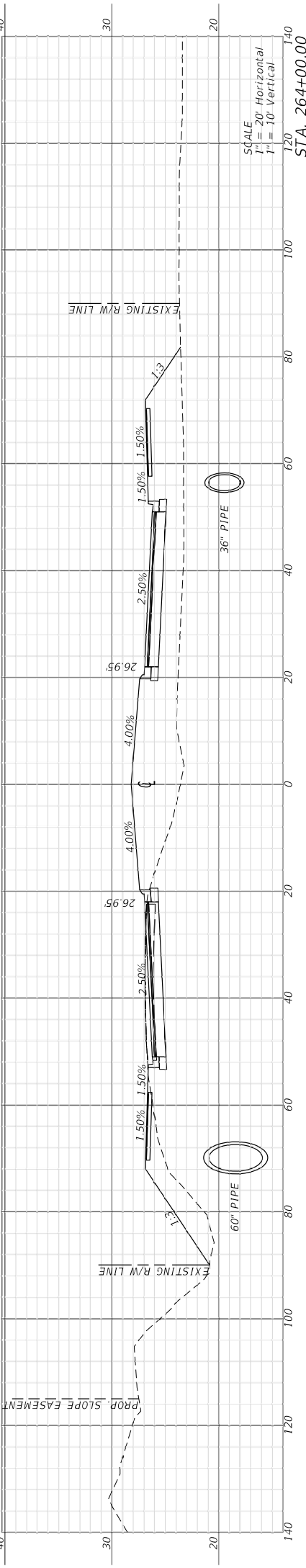
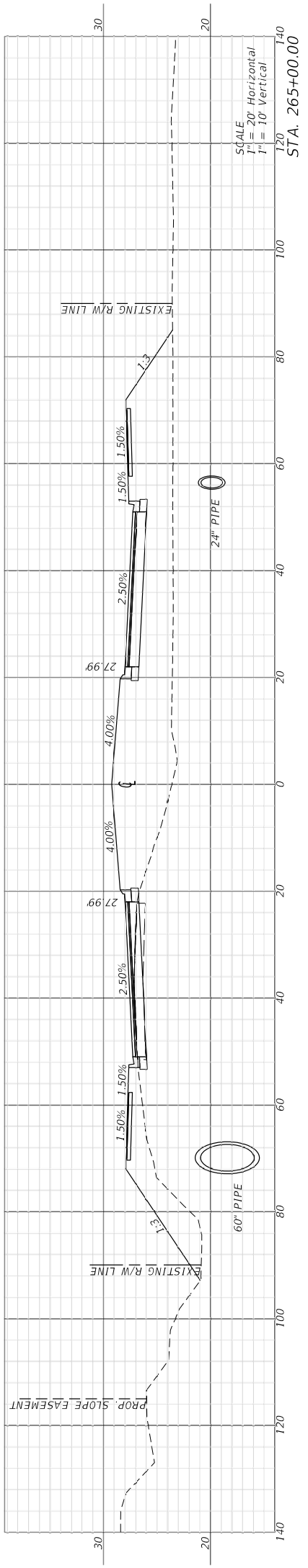
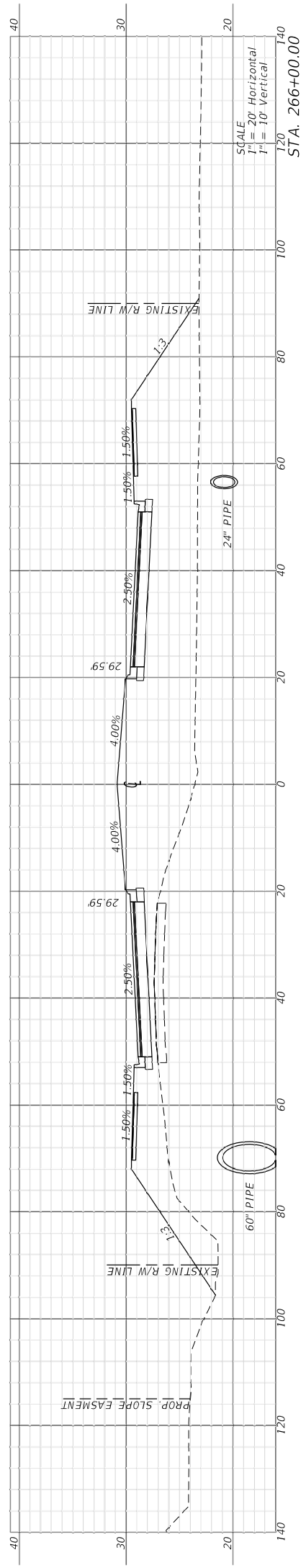


REVISIONS		ENGINEER OF RECORD		DEPARTMENT OF TRANSPORTATION		SHEET NO.	
DATE	DESCRIPTION	DATE	DESCRIPTION	ROAD NO.	COUNTY	FINANCIAL PROJECT ID	NO.
			RYAN K. BELL, P.E. 60010 LICENSE NUMBER JOHNSON ENGINEERING INC. 2122 JOHNSON STREET FORT MYERS, FL 33901		LEE		123
				CROSS SECTIONS			



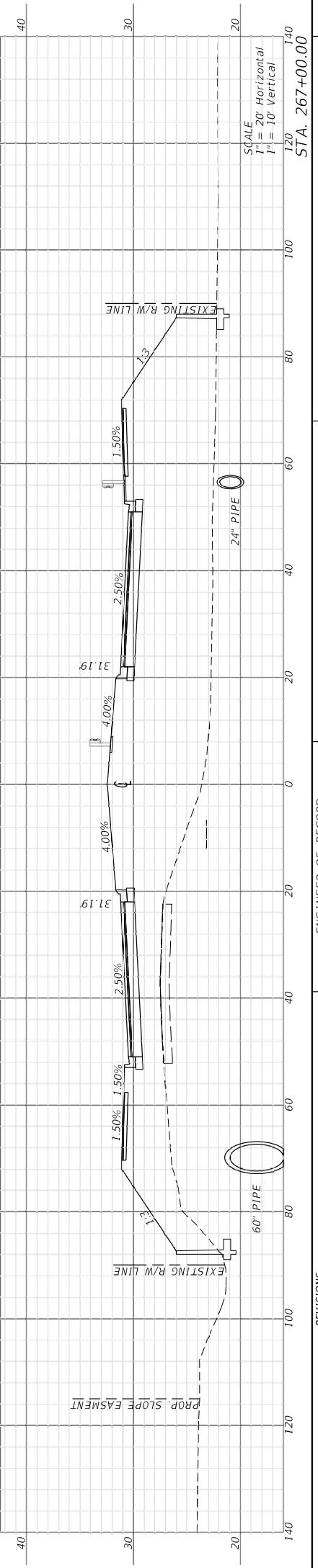
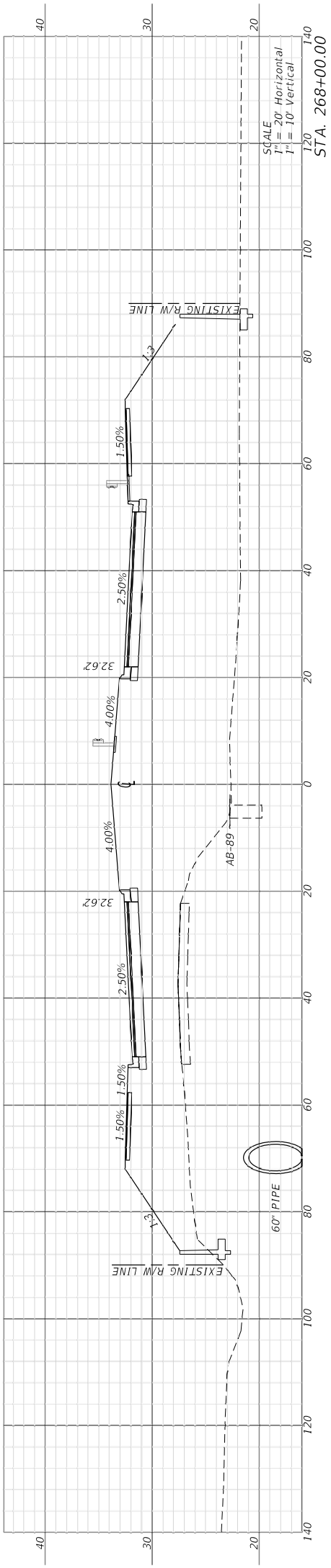
REVISIONS		ENGINEER OF RECORD		DEPARTMENT OF TRANSPORTATION		SHEET NO.
DATE	DESCRIPTION	DATE	DESCRIPTION	ROAD NO.	FINANCIAL PROJECT ID	
		RYAN K. BELL, P.E. 60010 LICENSE NUMBER JOHNSON ENGINEERING INC. 2122 JOHNSON STREET FORT MYERS, FL 33901				124
				COUNTY LEE		

CROSS SECTIONS



REVISIONS		ENGINEER OF RECORD		DEPARTMENT OF TRANSPORTATION		SHEET NO.
DATE	DESCRIPTION	DATE	DESCRIPTION	ROAD NO.	FINANCIAL PROJECT ID	
		RYAN K. BELL, P.E. 60010 LICENSE NUMBER JOHNSON ENGINEERING INC. 2122 JOHNSON STREET FORT MYERS, FL 33901				125
				COUNTY LEE		

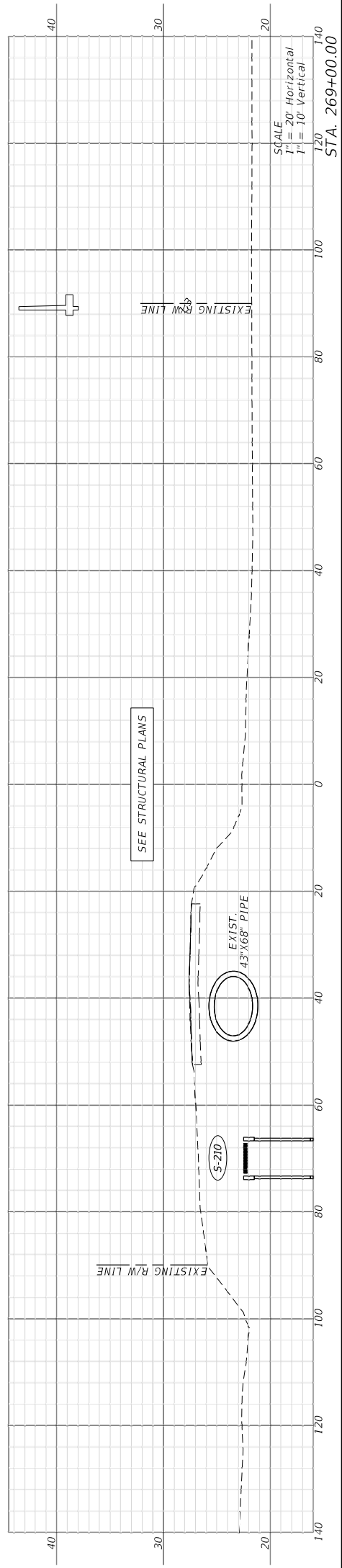
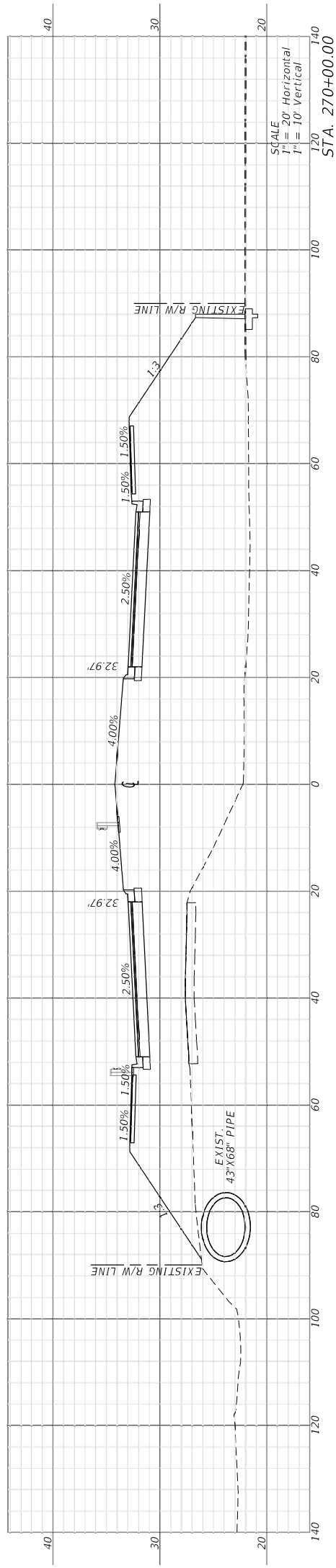
CROSS SECTIONS



REVISIONS		DESCRIPTION		DATE	

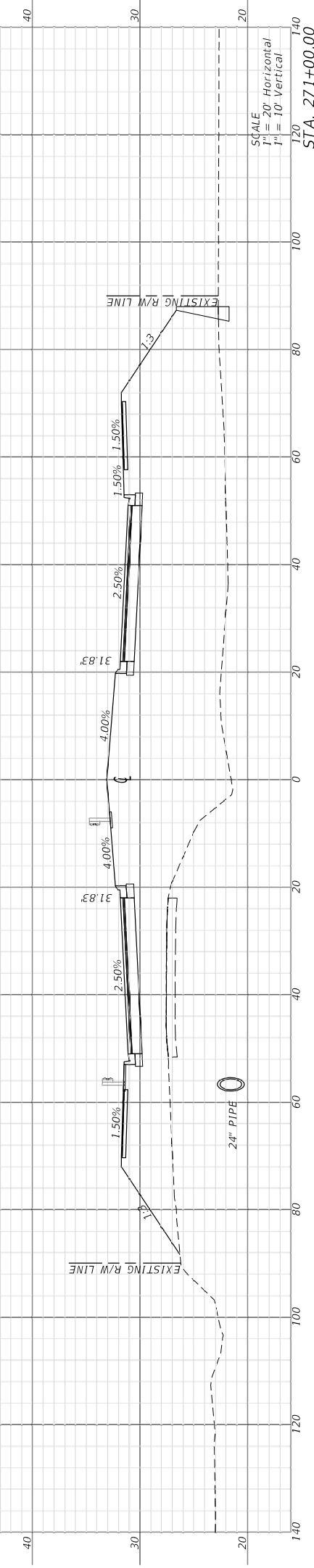
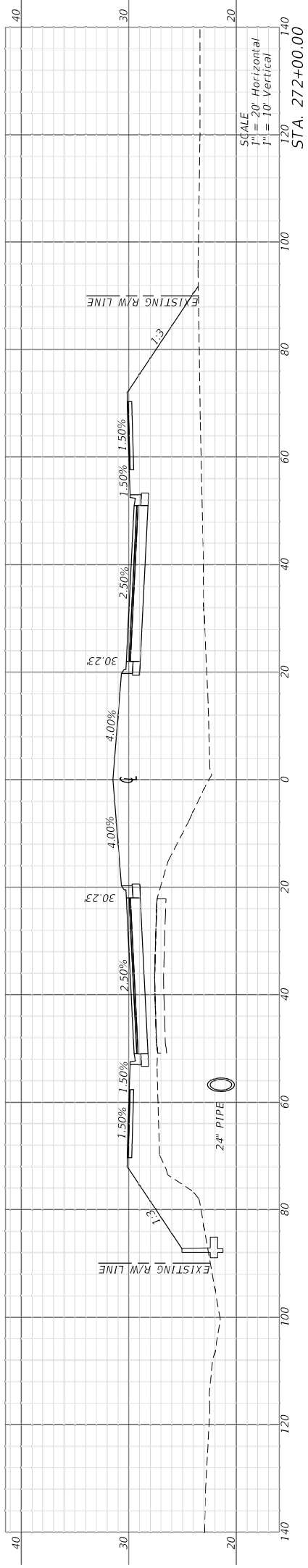
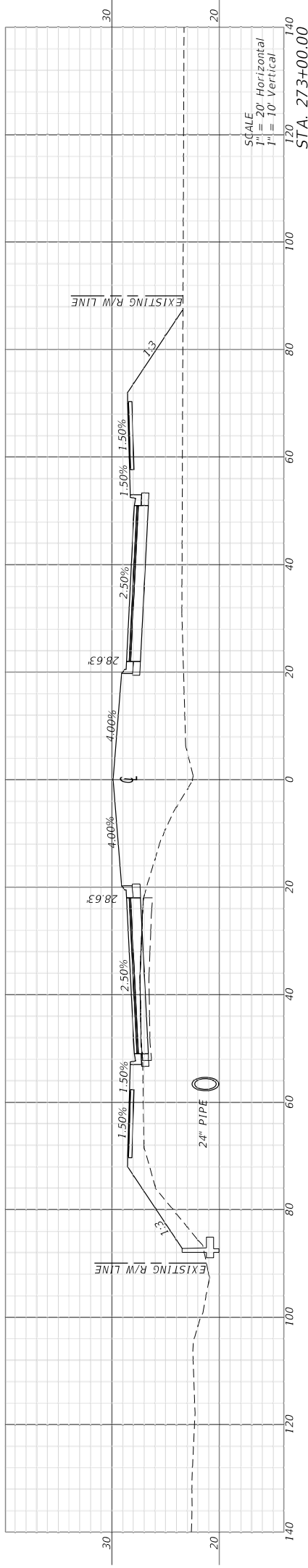
ENGINEER OF RECORD		LEE COUNTY	
RYAN K. BELL, P.E. 60010		DEPARTMENT OF TRANSPORTATION	
LICENSE NUMBER 60010		COUNTY	
JOHNSON ENGINEERING INC.		LEE	
2122 JOHNSON STREET		FINANCIAL PROJECT ID	
FORT WALTERS, FL 33901			

CROSS SECTIONS		SHEET NO.
		126



REVISIONS		ENGINEER OF RECORD		DEPARTMENT OF TRANSPORTATION		SHEET NO.	
DATE	DESCRIPTION	DATE	DESCRIPTION	ROAD NO.	COUNTY	FINANCIAL PROJECT ID	NO.
		RYAN K. BELL, P.E. 60010 LICENSE NUMBER JOHNSON ENGINEERING INC. 2122 JOHNSON STREET FORT MYERS, FL 33901			LEE		127

CROSS SECTIONS



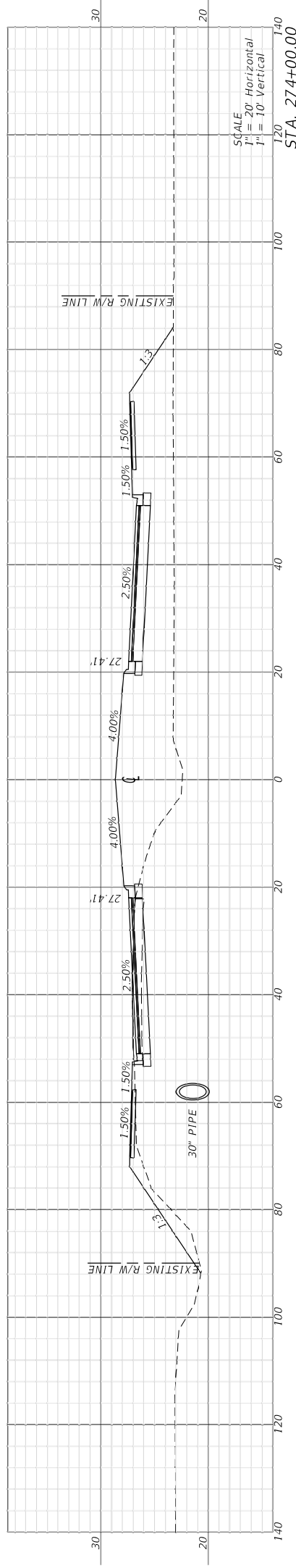
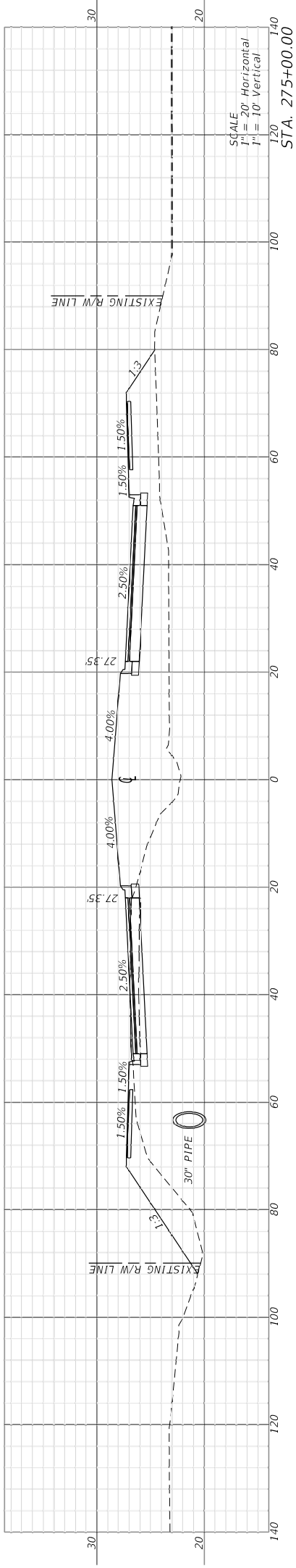
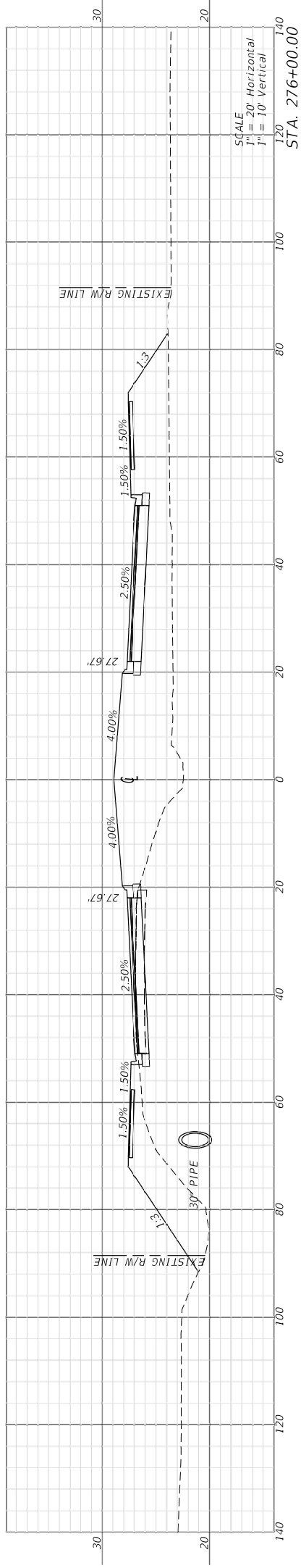
SHEET NO. 128

CROSS SECTIONS

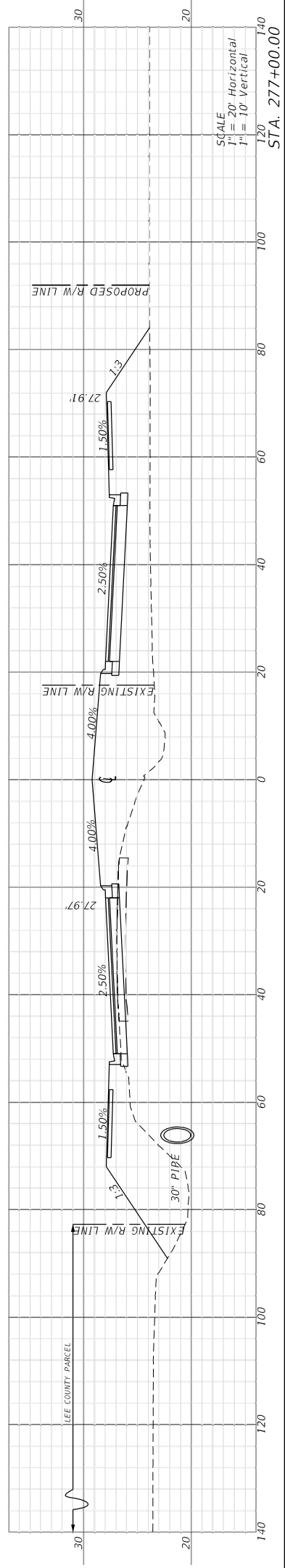
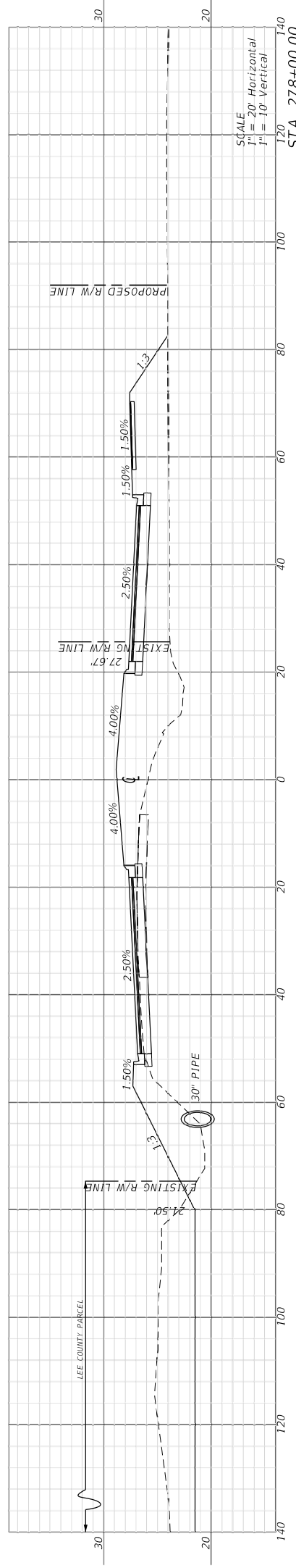
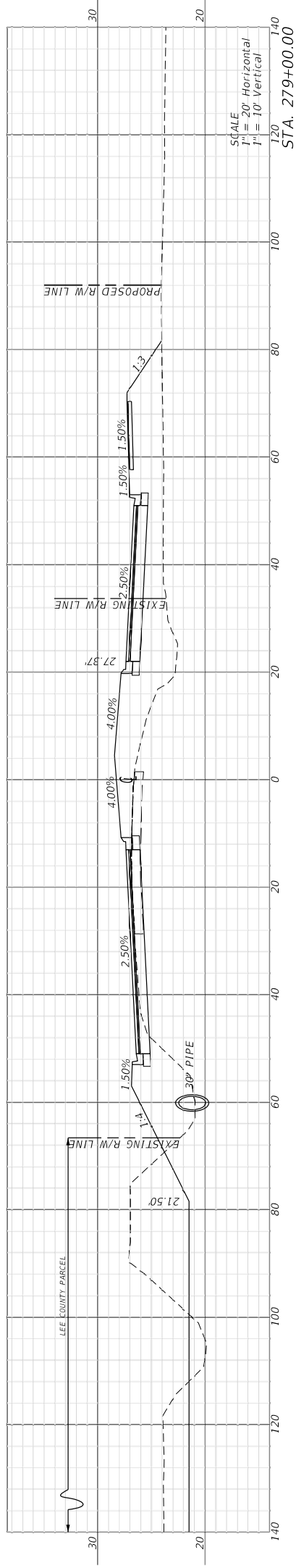
LEE COUNTY DEPARTMENT OF TRANSPORTATION	
ROAD NO.	COUNTY
	LEE
FINANCIAL PROJECT ID	

ENGINEER OF RECORD
 RYAN K. BELL, P.E. 60010
 LICENSE NUMBER
 JOHNSON ENGINEERING INC.
 2122 JOHNSON STREET
 FORT WALTERS, FL 32061

DATE	DESCRIPTION	REVISIONS	DATE	DESCRIPTION

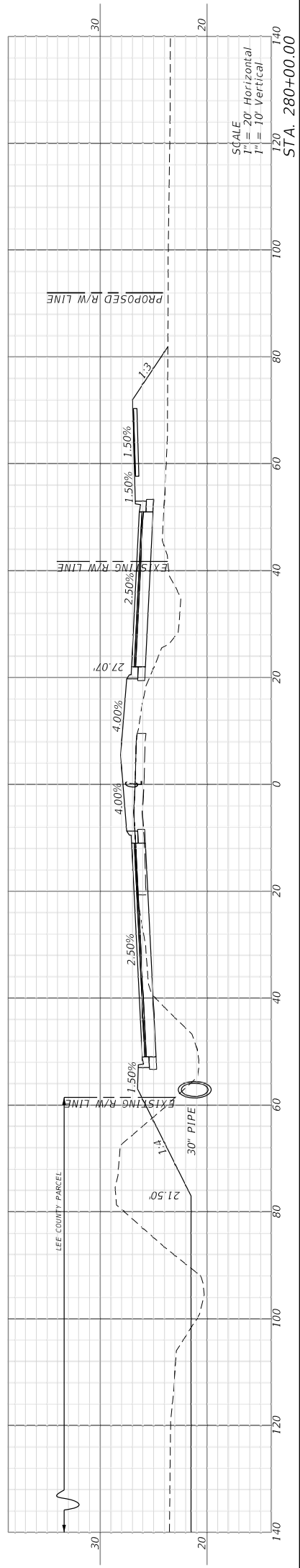
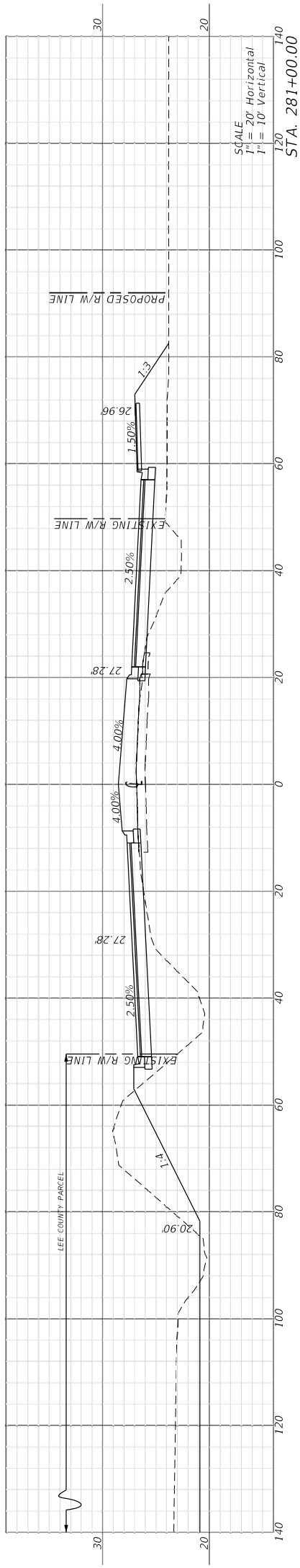
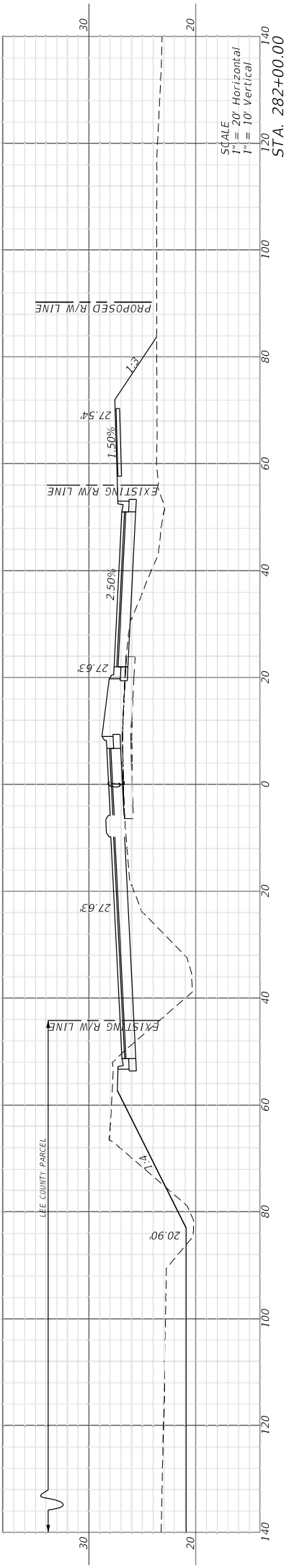


REVISIONS		ENGINEER OF RECORD		DEPARTMENT OF TRANSPORTATION		SHEET NO.	
DATE	DESCRIPTION	DATE	DESCRIPTION	ROAD NO.	COUNTY	FINANCIAL PROJECT ID	NO.
					LEE		129
		RYAN K. BELL, P.E. 60010 LICENSE NUMBER JOHNSON ENGINEERING INC. 2122 JOHNSON STREET FORT MYERS, FL 33901		LEE COUNTY COUNTY		CROSS SECTIONS	

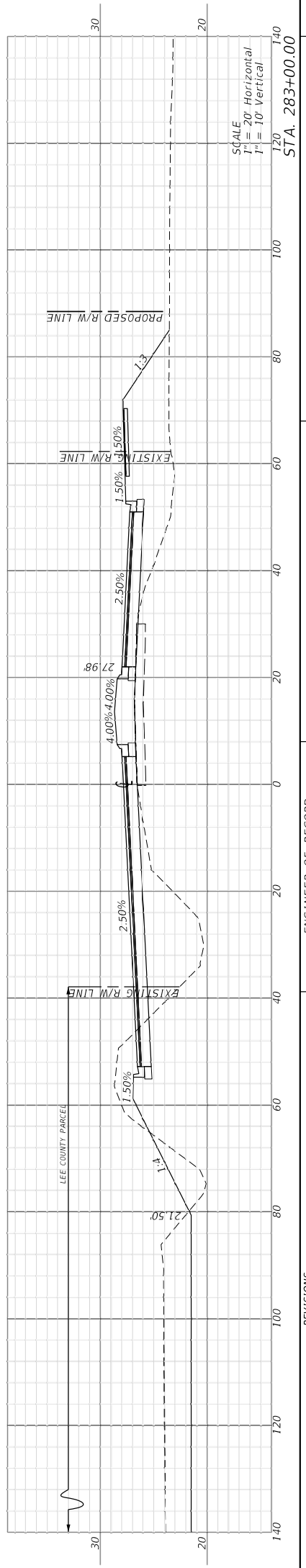
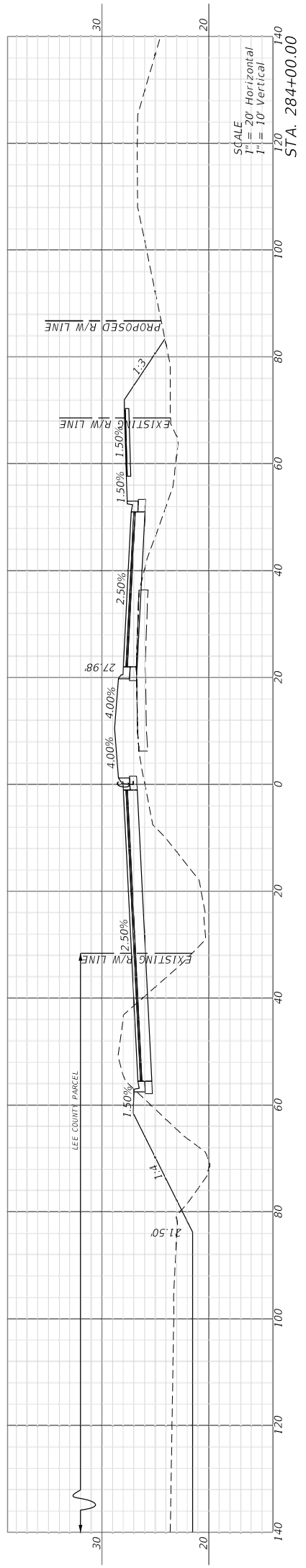
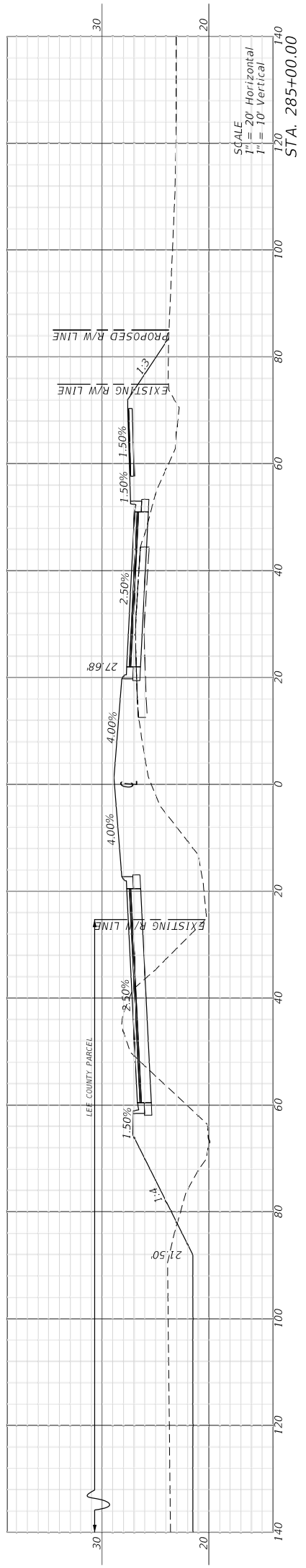


REVISIONS		ENGINEER OF RECORD		DEPARTMENT OF TRANSPORTATION		SHEET NO.	
DATE	DESCRIPTION	DATE	DESCRIPTION	ROAD NO.	COUNTY	FINANCIAL PROJECT ID	NO.
		RYAN K. BELL, P.E. 60010			LEE		130
		JOHNSON ENGINEERING INC.					
		2122 JOHNSON STREET					
		FORT WALTERS, FL 32061					

CROSS SECTIONS

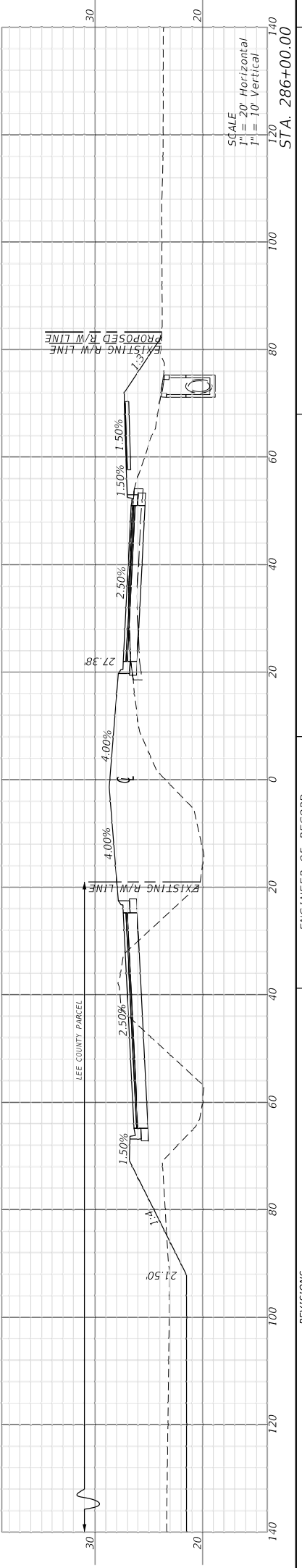
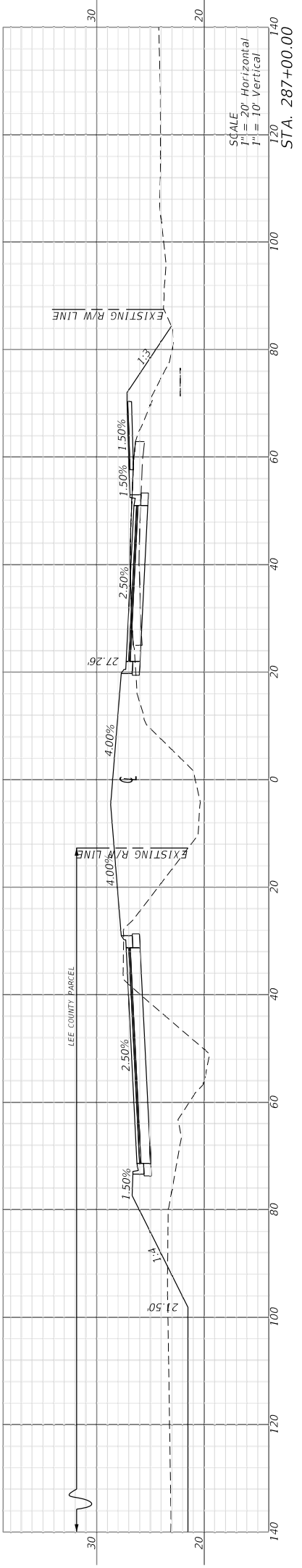
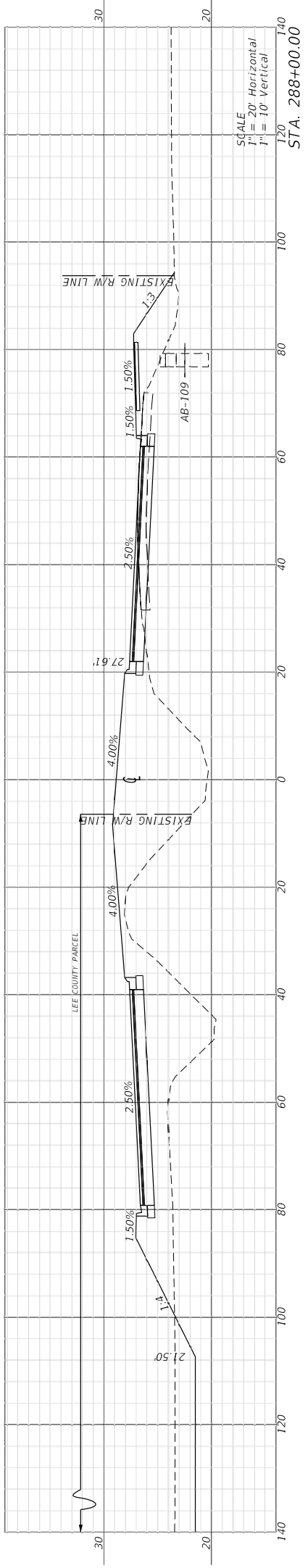


REVISIONS		ENGINEER OF RECORD		DEPARTMENT OF TRANSPORTATION		SHEET NO.	
DATE	DESCRIPTION	DATE	DESCRIPTION	ROAD NO.	COUNTY	FINANCIAL PROJECT ID	NO.
			RYAN K. BELL, P.E. 60010 LICENSE NUMBER JOHNSON ENGINEERING INC. 2122 JOHNSON STREET FORT MYERS, FL 33901		LEE		131
				CROSS SECTIONS			

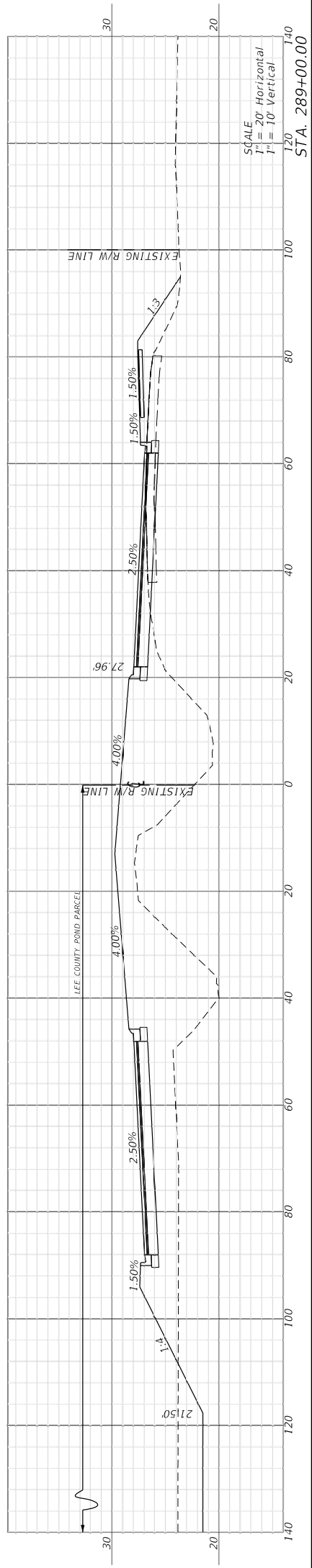
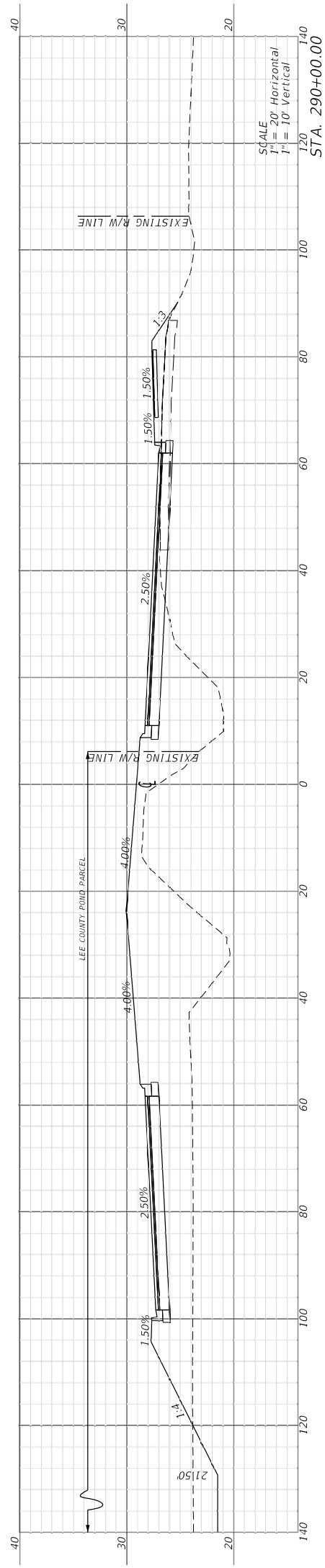


REVISIONS		ENGINEER OF RECORD		DEPARTMENT OF TRANSPORTATION		SHEET NO.
DATE	DESCRIPTION	DATE	DESCRIPTION	ROAD NO.	FINANCIAL PROJECT ID	
		RYAN K. BELL, P.E. 60010		LEE COUNTY		132
		LORISE KUMBELOO		COUNTY		
		JOHNSON ENGINEERING INC.		LEE		
		2122 JOHNSON STREET				
		FORT WALTERS, FL 33901				

CROSS SECTIONS



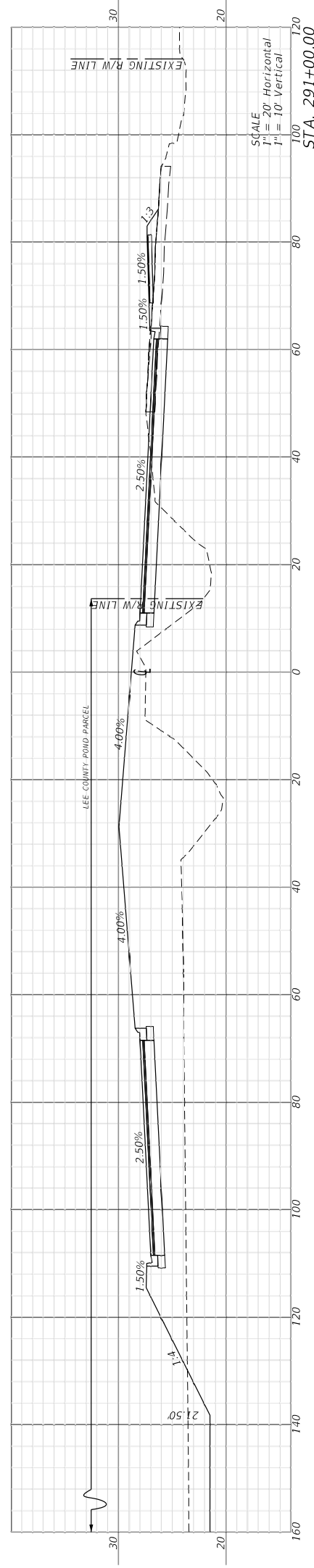
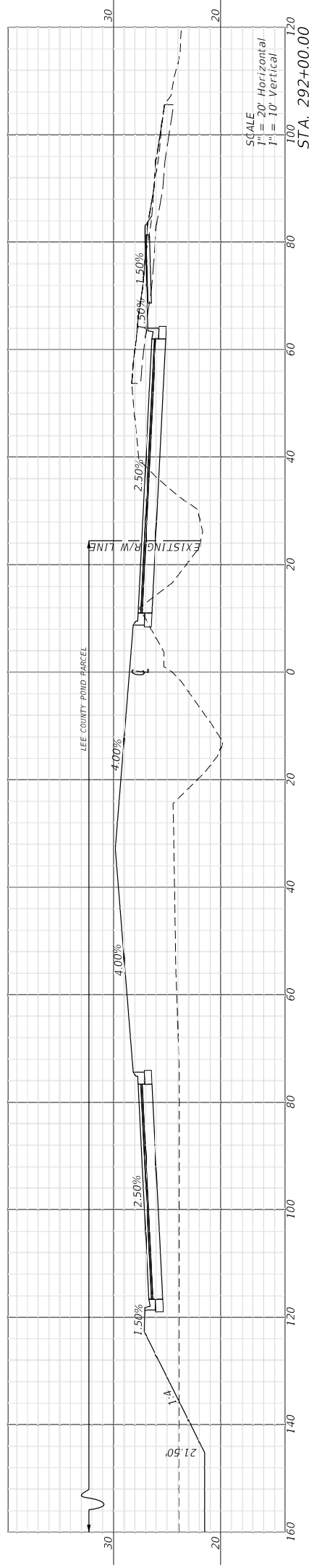
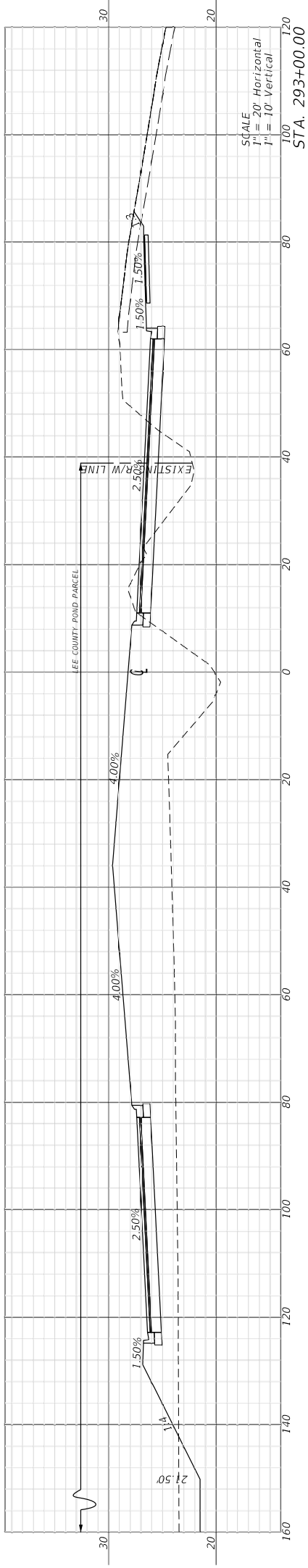
REVISIONS		ENGINEER OF RECORD		DEPARTMENT OF TRANSPORTATION		CROSS SECTIONS		SHEET NO.	
DATE	DESCRIPTION	DATE	DESCRIPTION	ROAD NO.	COUNTY	FINANCIAL PROJECT ID			NO.
			RYAN K. BELL, P.E. 60010 LICENSE NUMBER JOHNSON ENGINEERING INC. 2122 JOHNSON STREET FORT MYERS, FL 33901		LEE				133



REVISIONS		ENGINEER OF RECORD		DEPARTMENT OF TRANSPORTATION		SHEET NO.
DATE	DESCRIPTION	DATE	DESCRIPTION	ROAD NO.	FINANCIAL PROJECT ID	
				LEE COUNTY		134
				COUNTY	LEE	

CROSS SECTIONS

RYAN K. BELL, P.E. 60010
 LICENSE NUMBER
 JOHNSON ENGINEERING INC.
 2122 JOHNSON STREET
 FORT MYERS, FL 33901



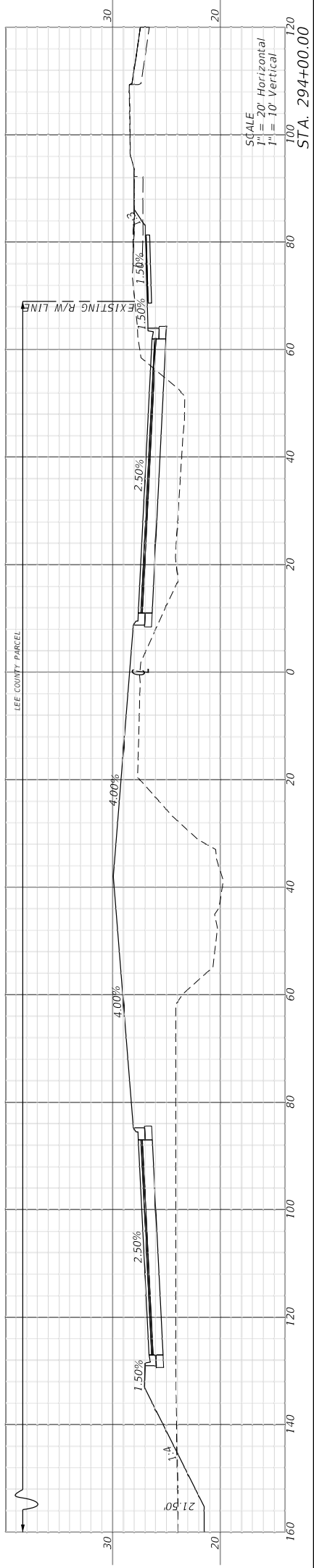
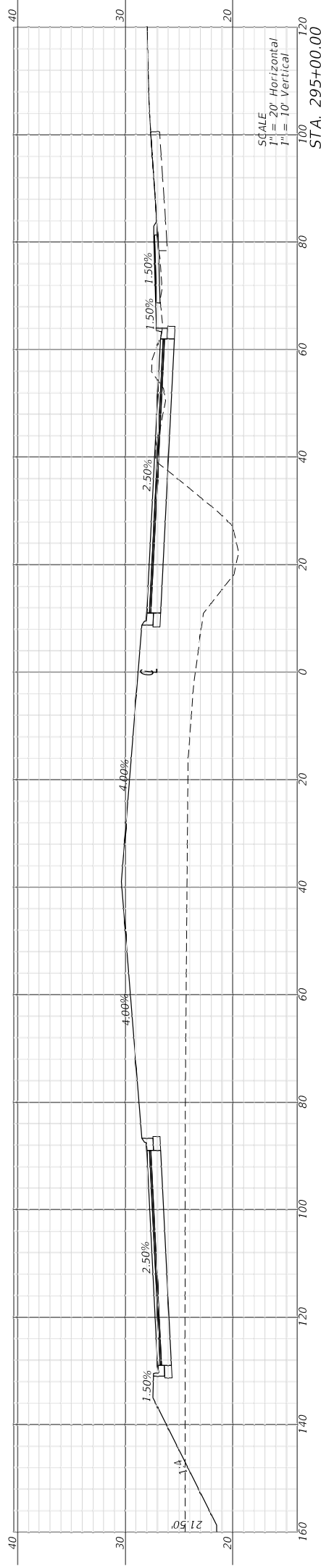
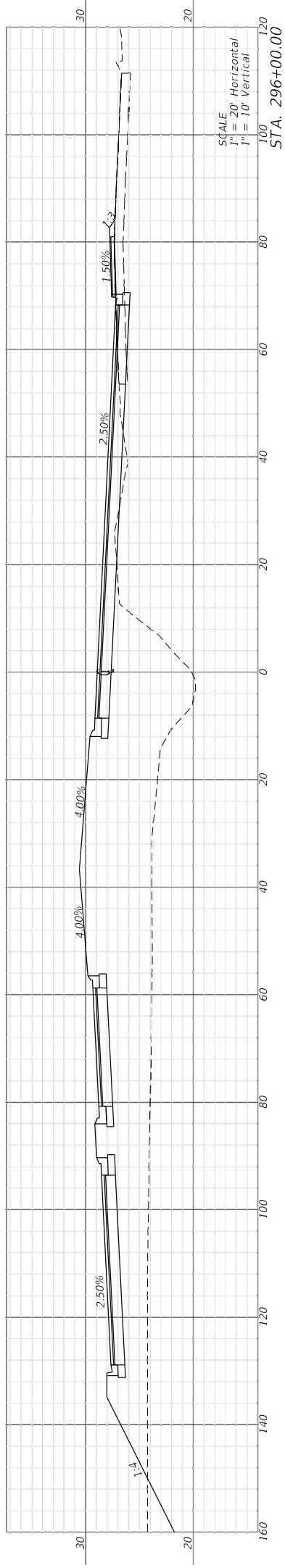
REVISIONS		DESCRIPTION		DATE	

ENGINEER OF RECORD		DEPARTMENT OF TRANSPORTATION	
RYAN K. BELL, P.E. 60010		LEE COUNTY	
LICENSE NUMBER 0000000000		COUNTY	
JOHNSON ENGINEERING INC.		LEE	
2122 JOHNSON STREET			
FORT WALTERS, FL 33801			

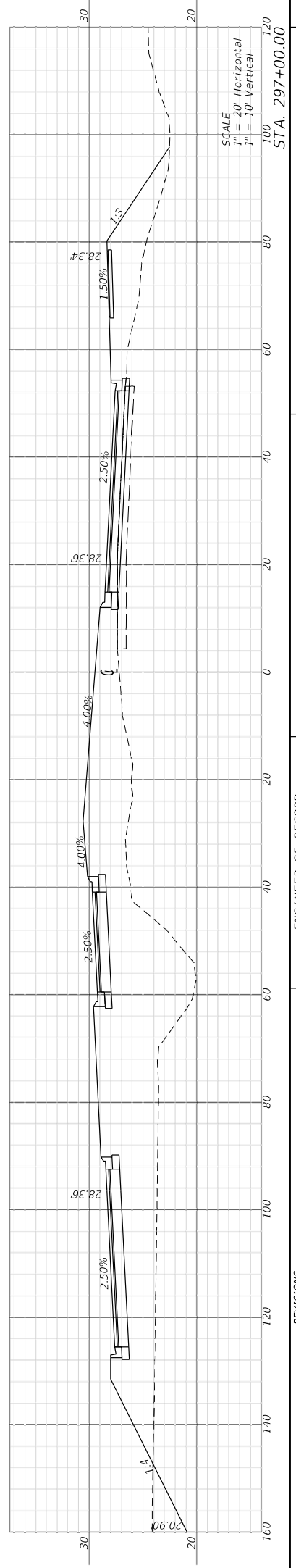
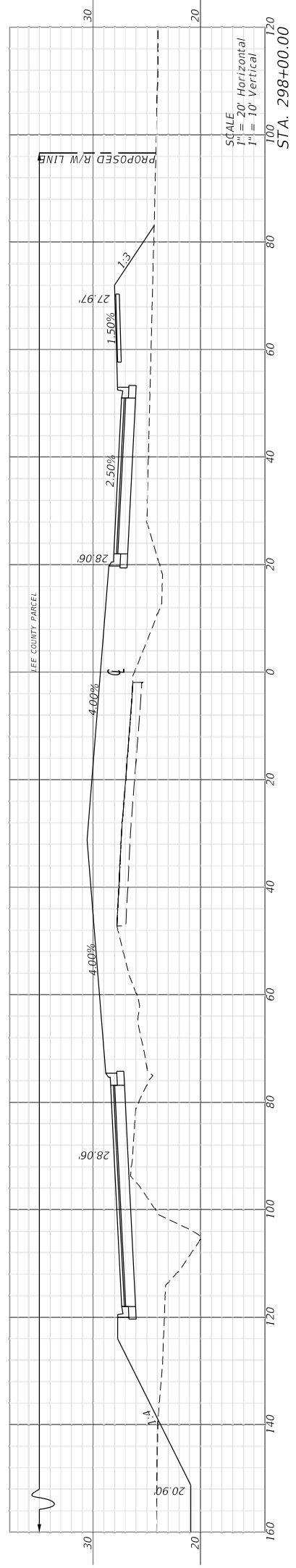
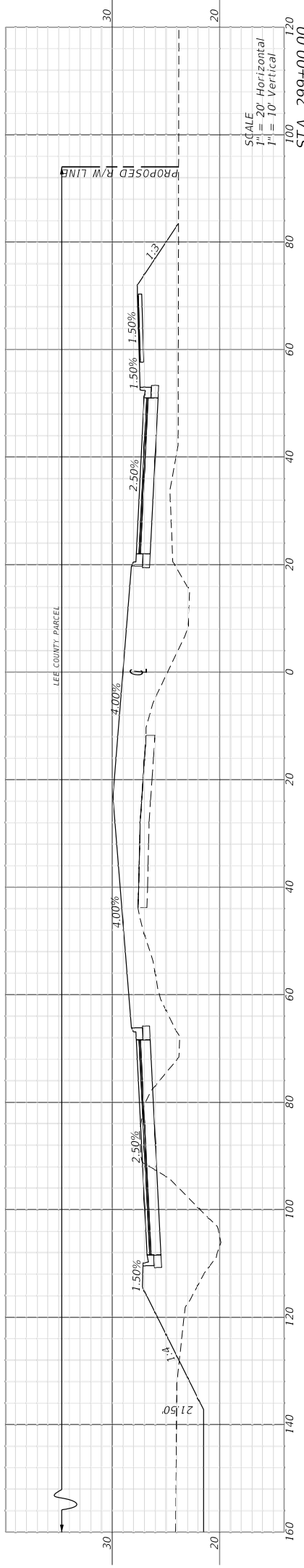
ROAD NO.		FINANCIAL PROJECT ID	

SHEET NO.	
135	

CROSS SECTIONS

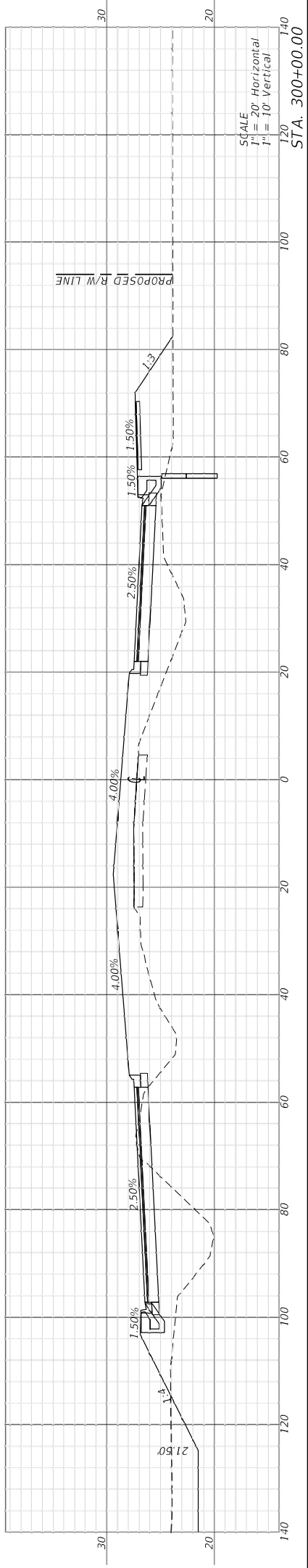
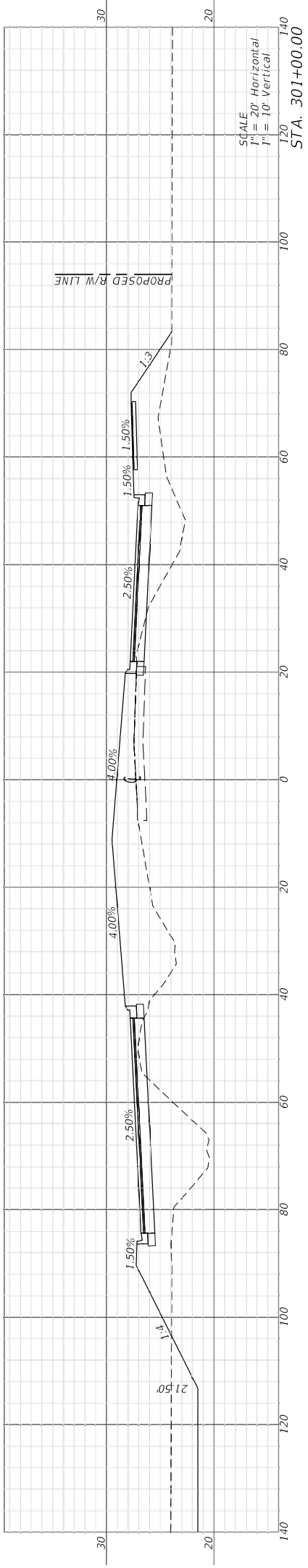
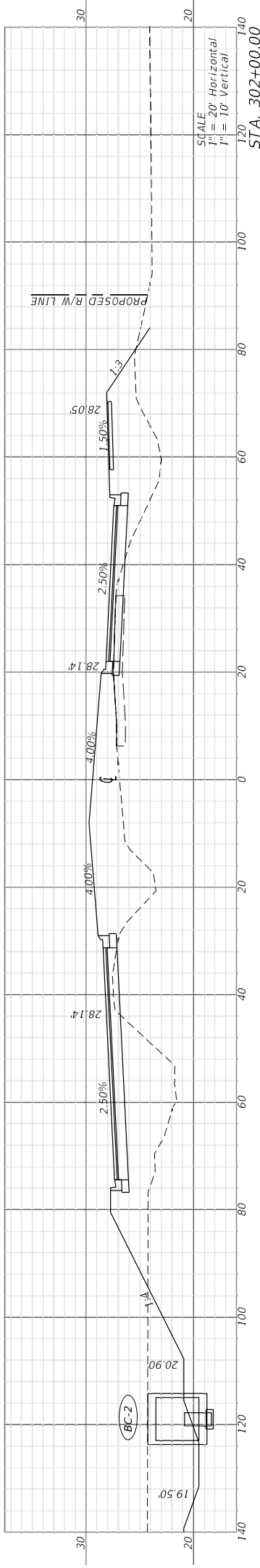


REVISIONS		ENGINEER OF RECORD		DEPARTMENT OF TRANSPORTATION		SHEET NO.
DATE	DESCRIPTION	DATE	DESCRIPTION	ROAD NO.	FINANCIAL PROJECT ID	
		RYAN K. BELL, P.E. 60010 LICENSE NUMBER JOHNSON ENGINEERING INC. 2122 JOHNSON STREET FORT WALTERS, FL 33801				136
				LEE		
CROSS SECTIONS						



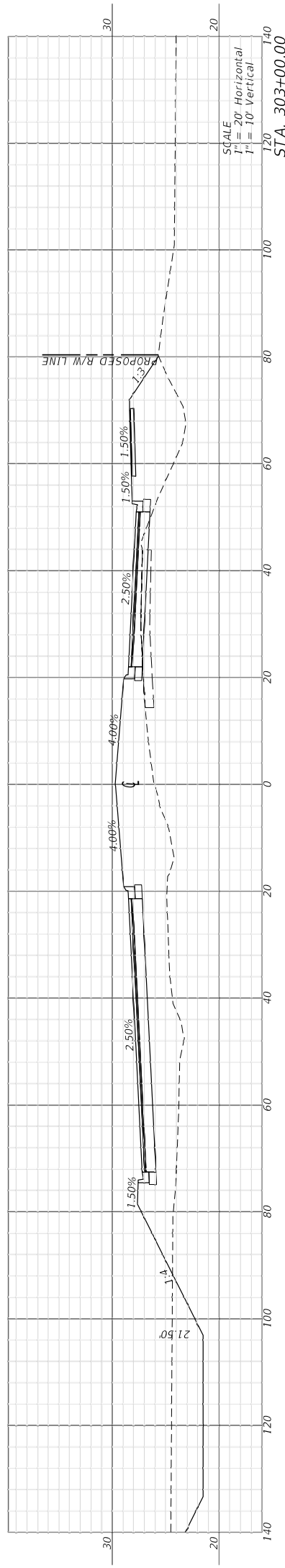
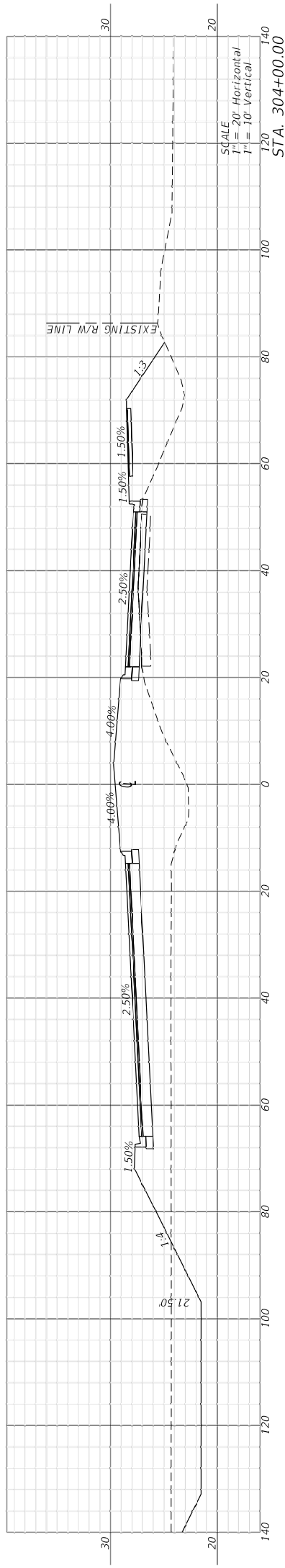
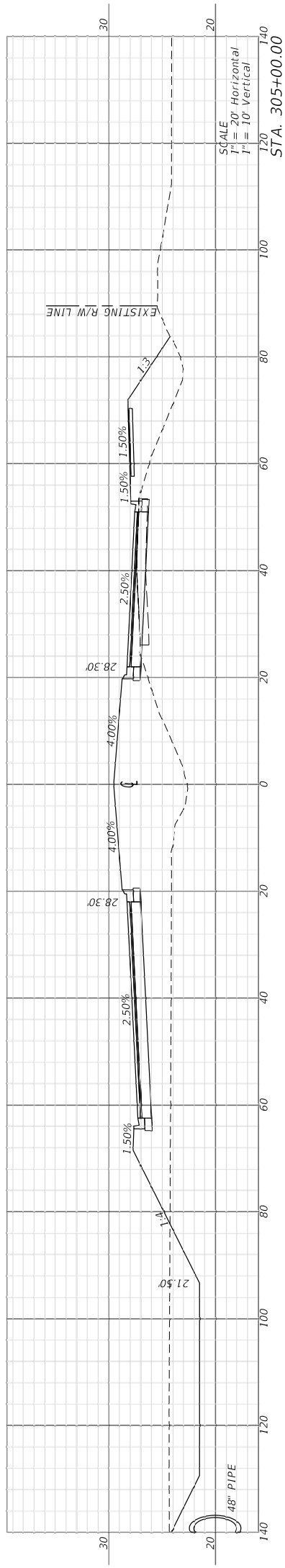
REVISIONS		ENGINEER OF RECORD		DEPARTMENT OF TRANSPORTATION		SHEET NO.
DATE	DESCRIPTION	DATE	DESCRIPTION	ROAD NO.	FINANCIAL PROJECT ID	
		RYAN K. BELL, P.E. 60010		LEE COUNTY		137
		JOHNSON ENGINEERING INC. 2122 JOHNSON STREET FORT WALTERS, FL 33801		LEE		

CROSS SECTIONS



REVISIONS		ENGINEER OF RECORD		DEPARTMENT OF TRANSPORTATION		SHEET NO.
DATE	DESCRIPTION	DATE	DESCRIPTION	ROAD NO.	FINANCIAL PROJECT ID	
		RYAN K. BELL, P.E. 60010		LEE COUNTY		138
		JOHNSON ENGINEERING INC.		COUNTY		
		2122 JOHNSON STREET		LEE		
		FORT WALTERS, FL 33901				

CROSS SECTIONS



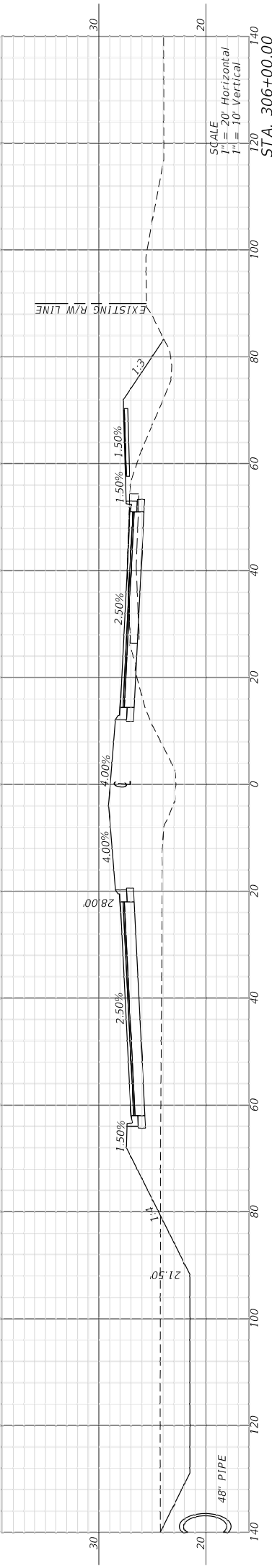
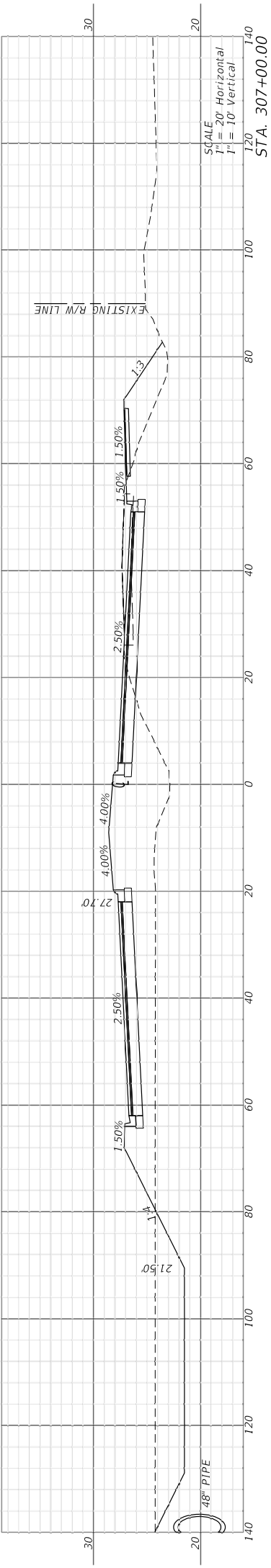
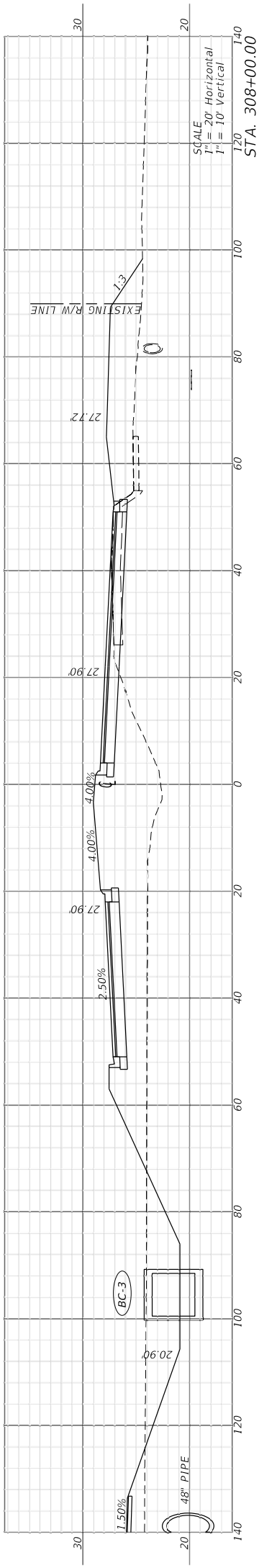
SHEET NO. 139

CROSS SECTIONS

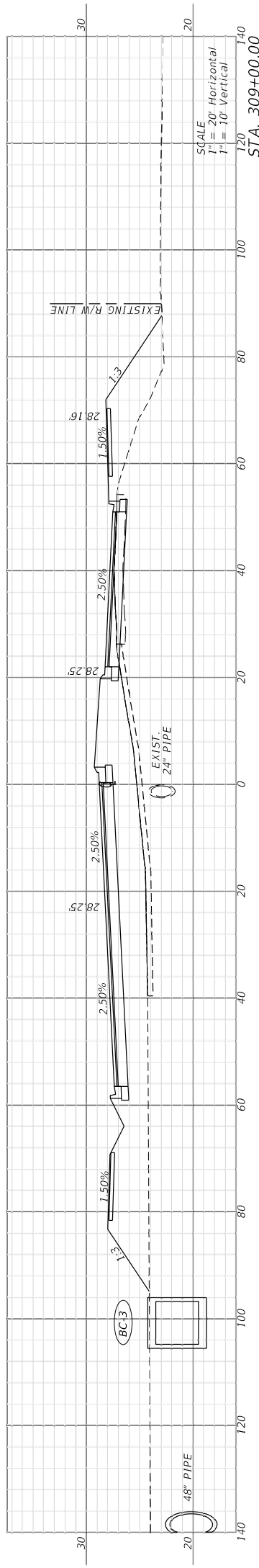
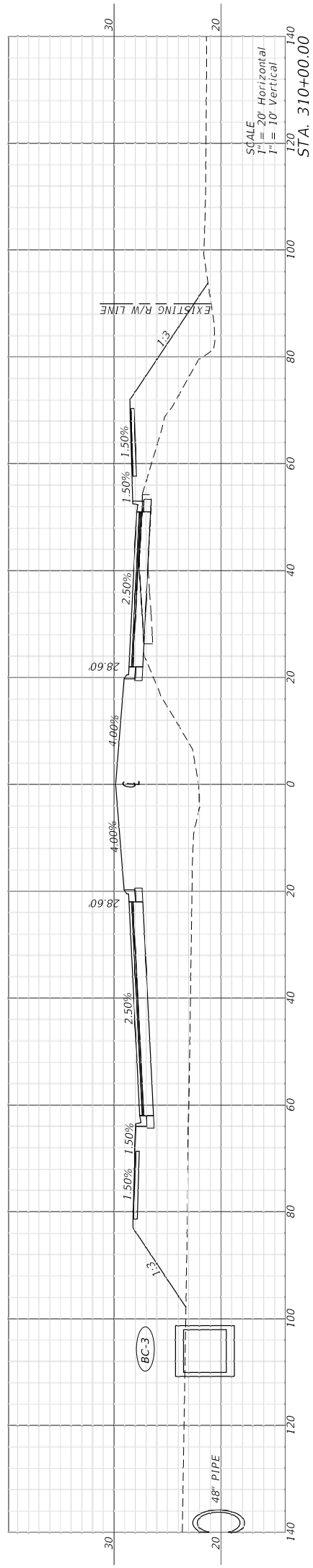
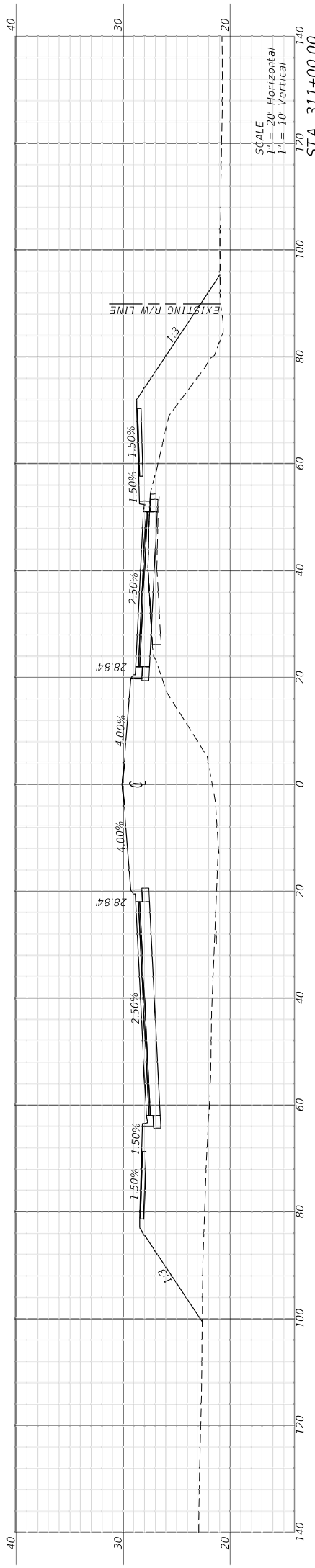
LEE COUNTY	
DEPARTMENT OF TRANSPORTATION	
ROAD NO.	COUNTY
	LEE
FINANCIAL PROJECT ID	

ENGINEER OF RECORD
 RYAN K. BELL, P.E. 60010
 LICENSE NUMBER
 JOHNSON ENGINEERING INC.
 2122 JOHNSON STREET
 FORT MYERS, FL 33901

REVISIONS	
DATE	DESCRIPTION



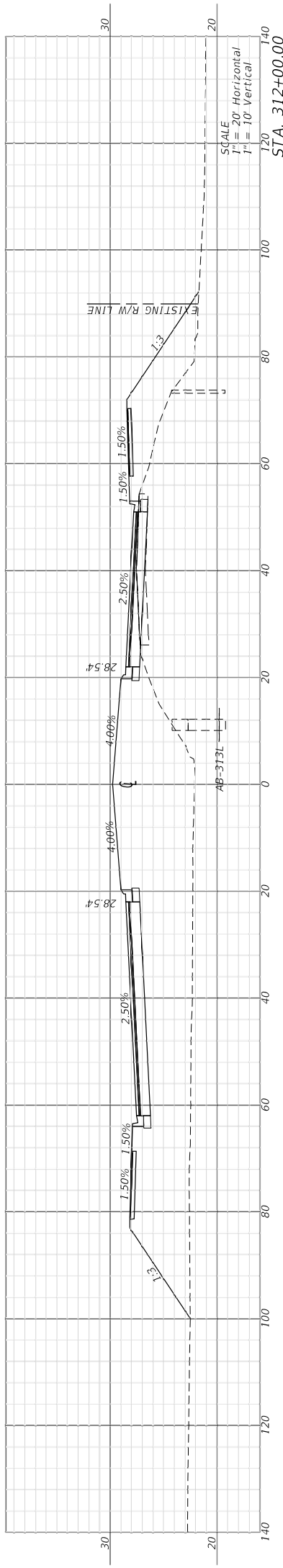
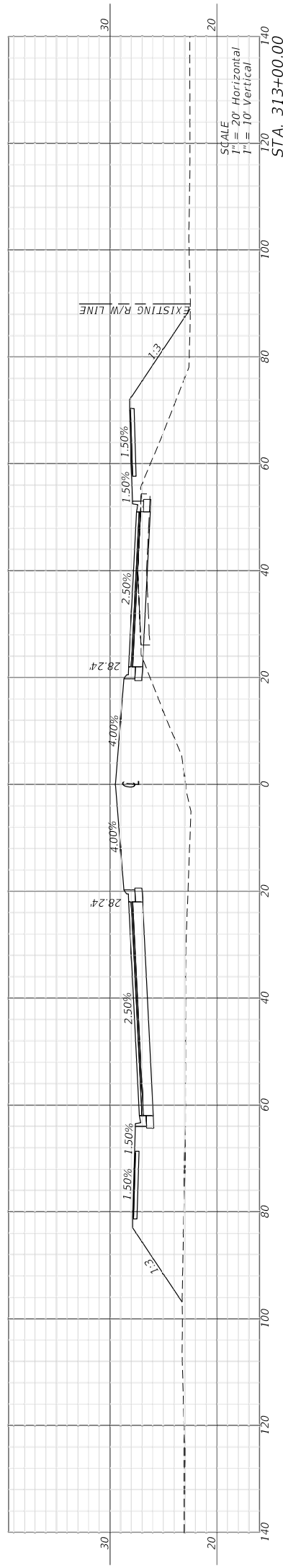
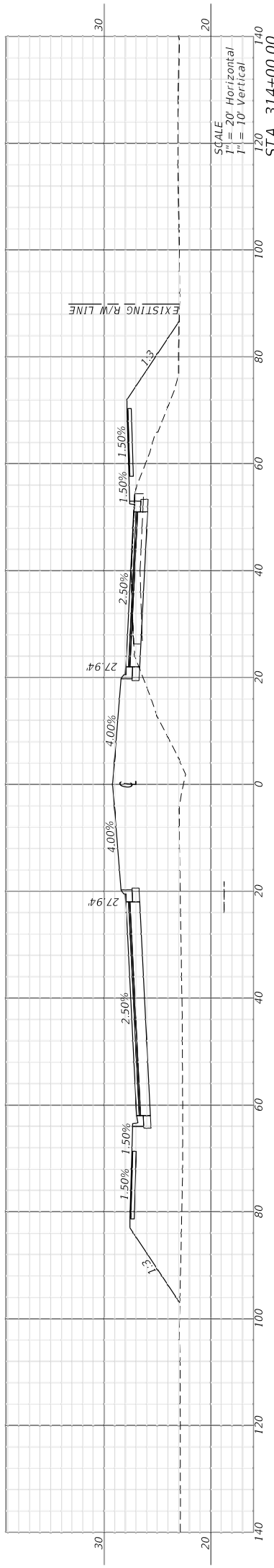
REVISIONS		ENGINEER OF RECORD		DEPARTMENT OF TRANSPORTATION		SHEET NO.
DATE	DESCRIPTION	DATE	DESCRIPTION	ROAD NO.	FINANCIAL PROJECT ID	
				LEE COUNTY		140
				COUNTY	LEE	
				LEE COUNTY DEPARTMENT OF TRANSPORTATION		
				RYAN K. BELL, P.E. 60010 LICENSE NUMBER JOHNSON ENGINEERING INC. 2122 JOHNSON STREET FORT WALTERS, FL 32061		
CROSS SECTIONS						



REVISIONS		DESCRIPTION	
DATE	DESCRIPTION	DATE	DESCRIPTION

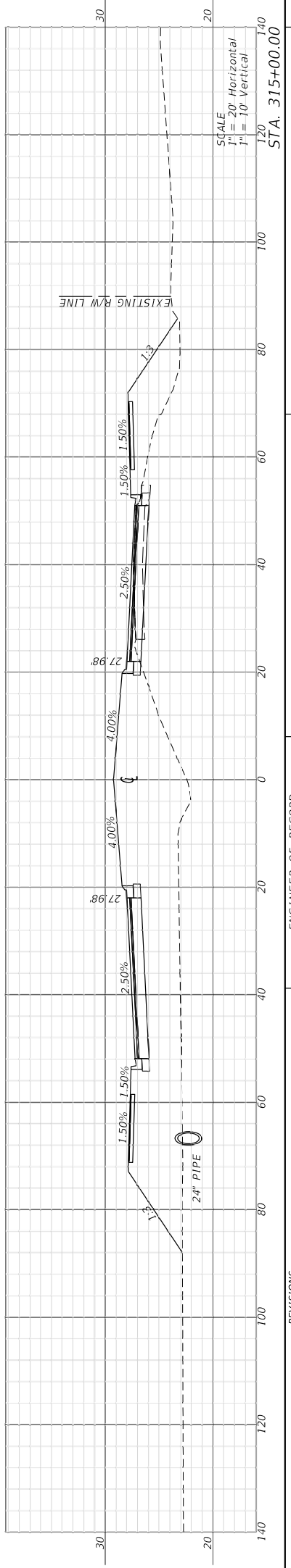
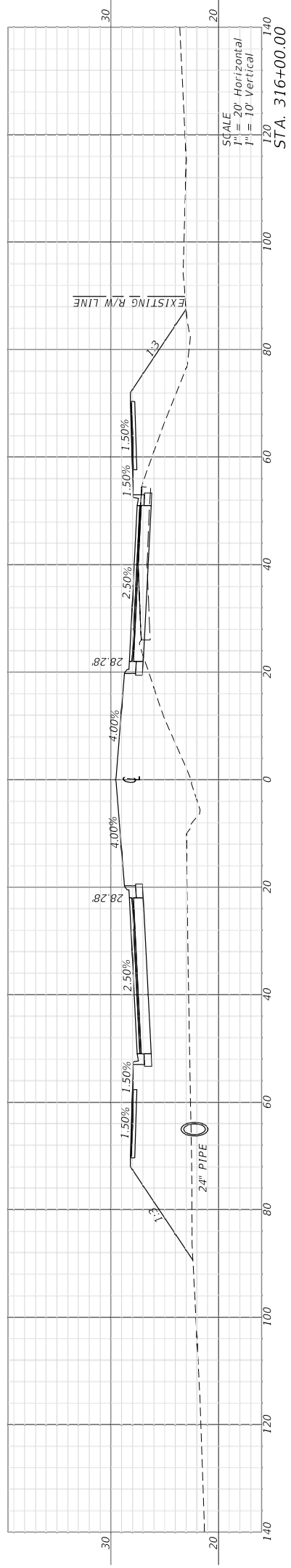
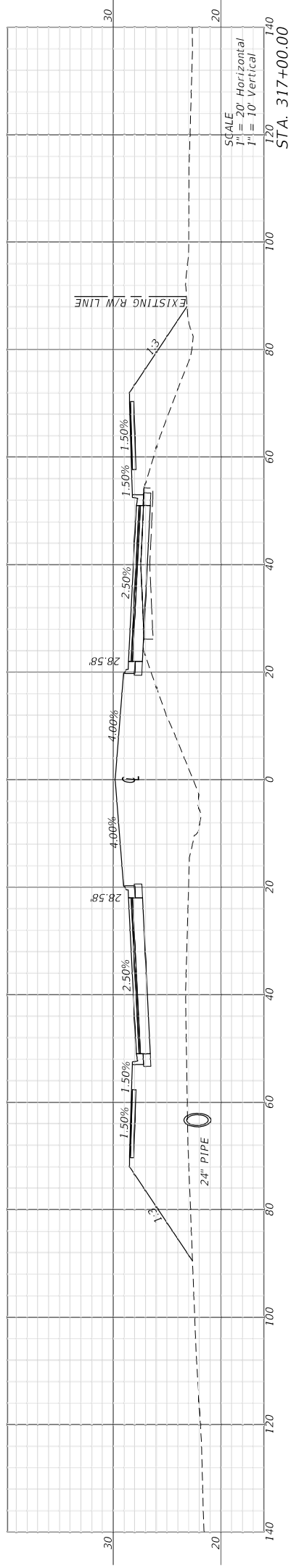
ENGINEER OF RECORD		LEE COUNTY	
RYAN K. BELL, P.E. 60010		DEPARTMENT OF TRANSPORTATION	
LICENSE NUMBER 360010		COUNTY	
JOHNSON ENGINEERING INC.		LEE	
2122 JOHNSON STREET		FINANCIAL PROJECT ID	
FORT MYERS, FL 33901			

CROSS SECTIONS		SHEET NO.
		141



REVISIONS		ENGINEER OF RECORD		DEPARTMENT OF TRANSPORTATION		SHEET NO.
DATE	DESCRIPTION	DATE	DESCRIPTION	ROAD NO.	FINANCIAL PROJECT ID	
		RYAN K. BELL, P.E. 60010 LICENSE NUMBER JOHNSON ENGINEERING INC. 2122 JOHNSON STREET FORT MYERS, FL 33901				142
				LEE COUNTY		
				LEE		

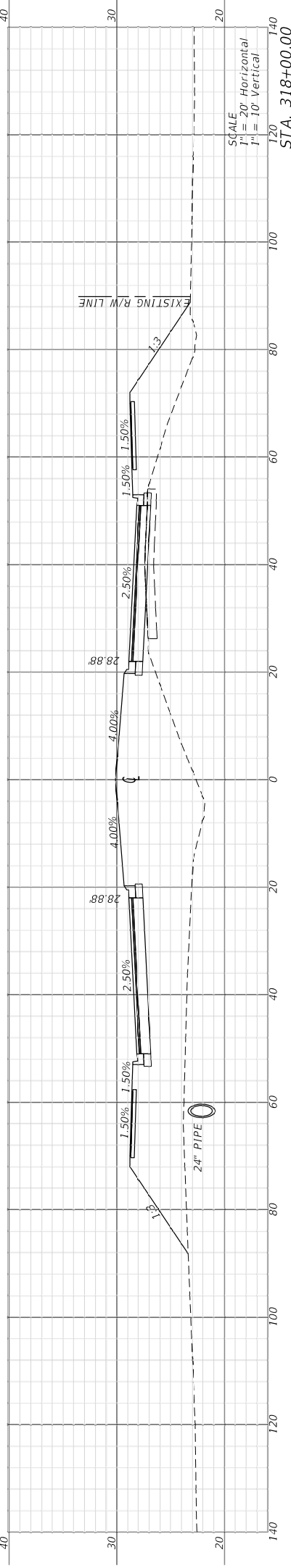
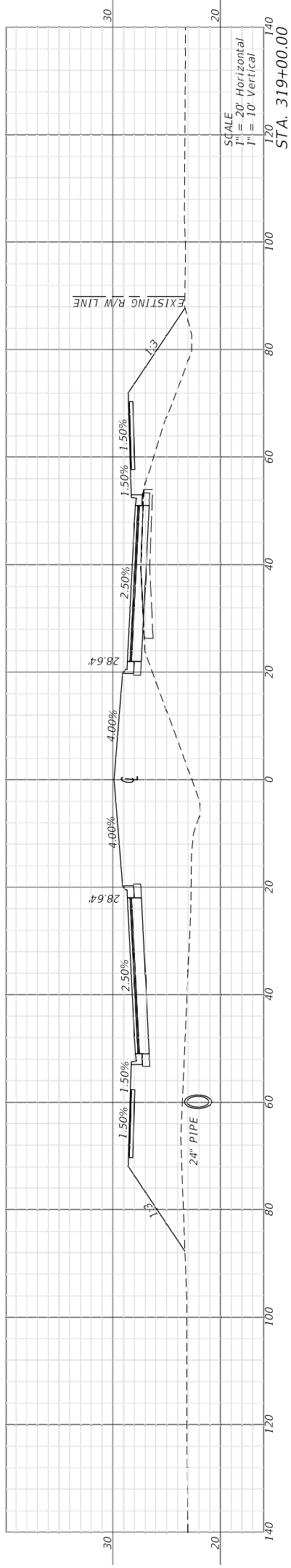
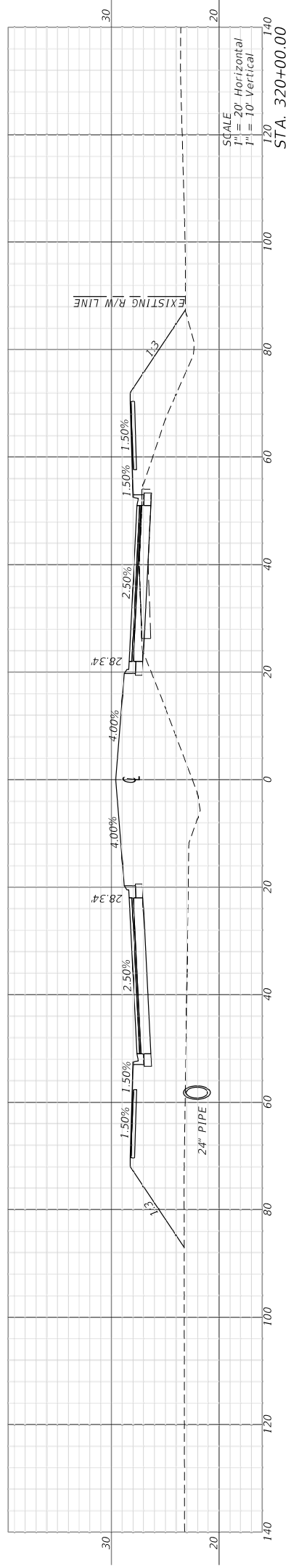
CROSS SECTIONS



REVISIONS		DESCRIPTION		DATE	

ENGINEER OF RECORD		LEE COUNTY	
RYAN K. BELL, P.E. 60010		DEPARTMENT OF TRANSPORTATION	
LICENSE NUMBER 00010		COUNTY	
JOHNSON ENGINEERING INC.		LEE	
2122 JOHNSON STREET		FINANCIAL PROJECT ID	
FORT WALTERS, FL 33901			

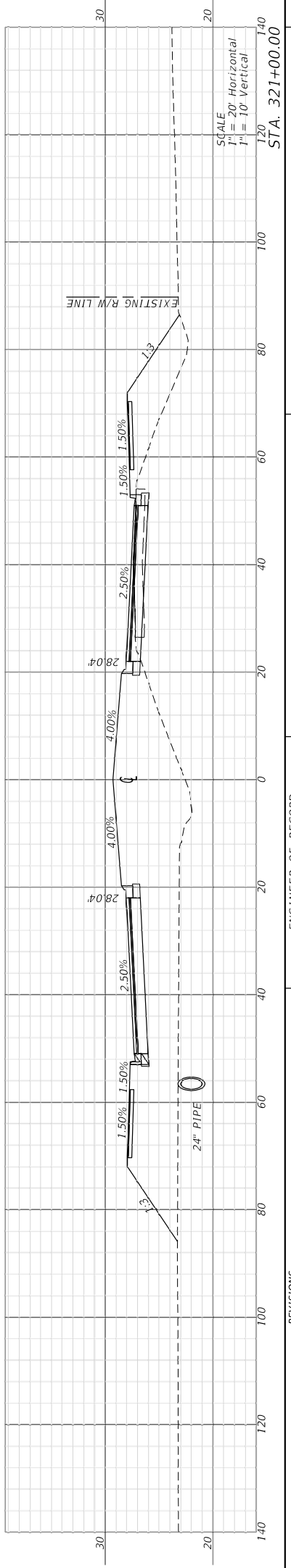
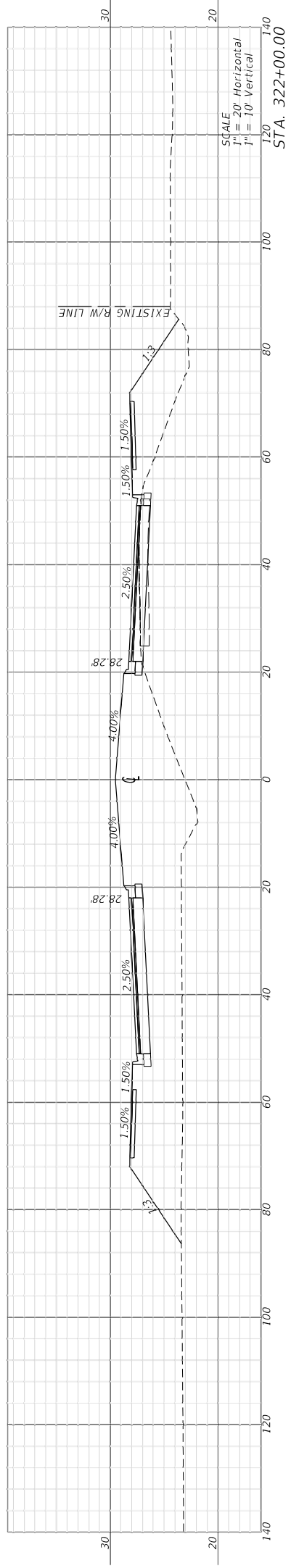
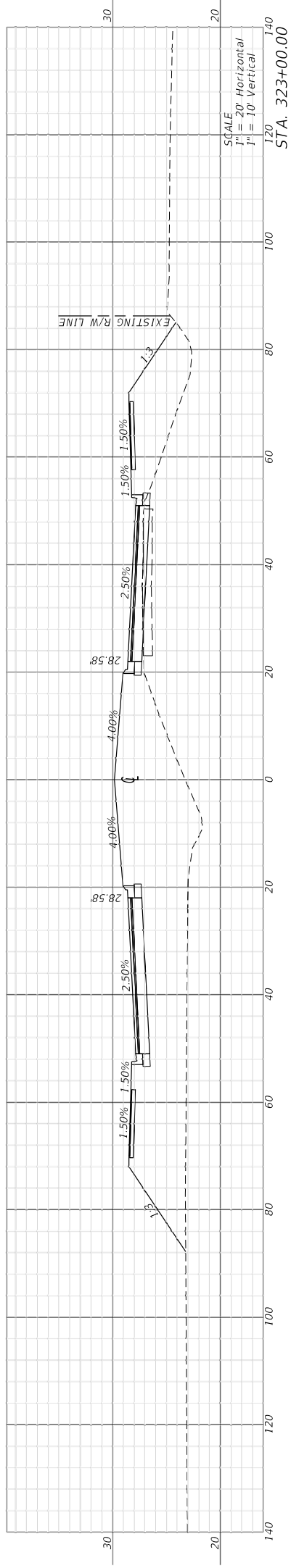
CROSS SECTIONS		SHEET NO.
		143



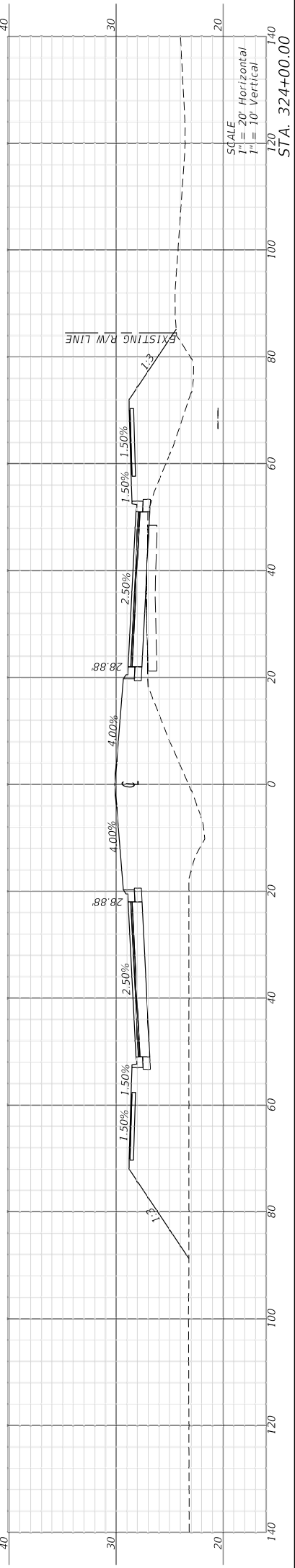
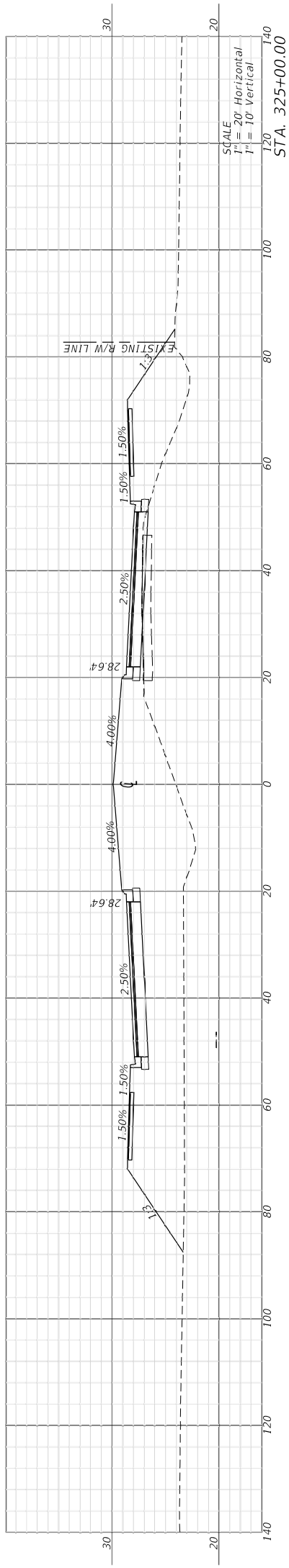
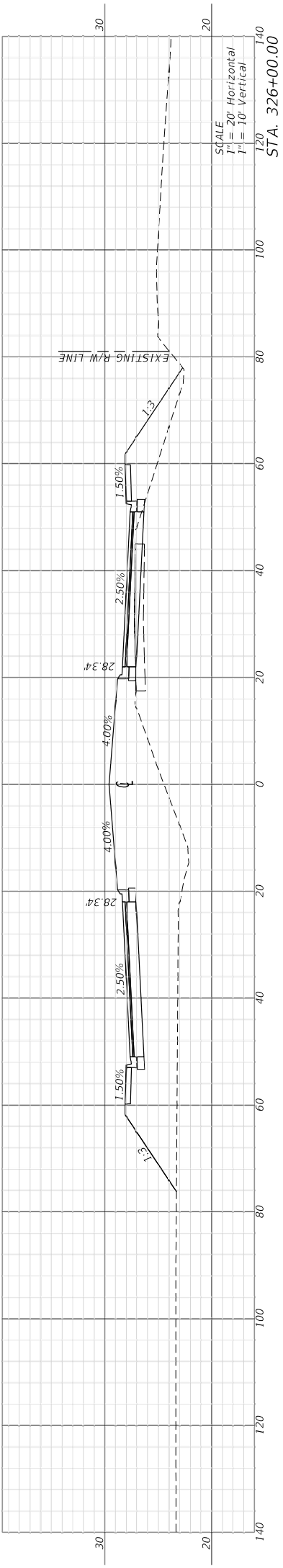
REVISIONS		DESCRIPTION		DATE	

ENGINEER OF RECORD		RYAN K. BELL, P.E. 60010 LICENSE NUMBER JOHNSON ENGINEERING INC. 2122 JOHNSON STREET FORT MYERS, FL 33901	
DEPARTMENT OF TRANSPORTATION		LEE COUNTY	
ROAD NO.	COUNTY	FINANCIAL PROJECT ID	
	LEE		

CROSS SECTIONS		SHEET NO.
		144



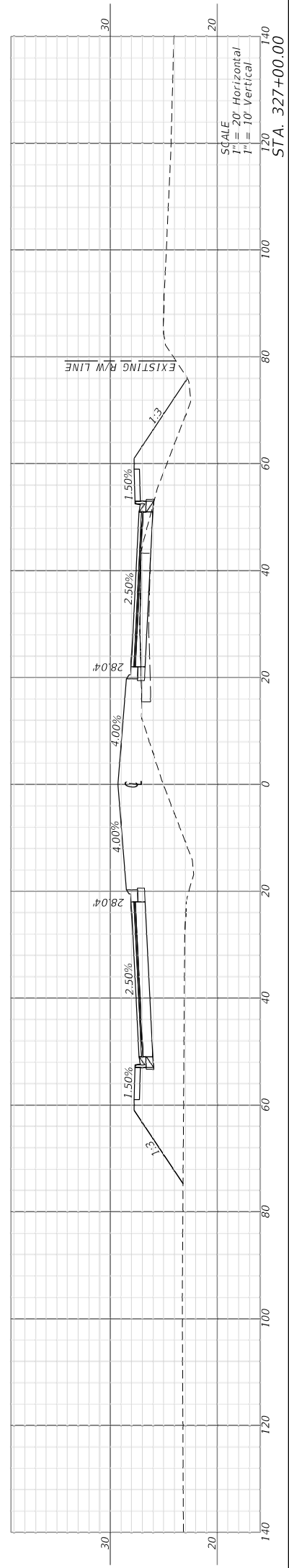
REVISIONS		ENGINEER OF RECORD		DEPARTMENT OF TRANSPORTATION		SHEET NO.	
DATE	DESCRIPTION	DATE	DESCRIPTION	ROAD NO.	COUNTY	FINANCIAL PROJECT ID	NO.
			RYAN K. BELL, P.E. 60010 LICENSE NUMBER JOHNSON ENGINEERING INC. 2122 JOHNSON STREET FORT MYERS, FL 33901		LEE		145
				CROSS SECTIONS			



REVISIONS		ENGINEER OF RECORD		DEPARTMENT OF TRANSPORTATION		SHEET NO.
DATE	DESCRIPTION	DATE	DESCRIPTION	ROAD NO.	FINANCIAL PROJECT ID	
			RYAN K. BELL, P.E. 60010 LICENSE NUMBER JOHNSON ENGINEERING INC. 2122 JOHNSON STREET FORT MYERS, FL 33901			146
				COUNTY LEE		

CROSS SECTIONS

THE OFFICIAL RECORD OF THIS SHEET IS THE ELECTRONIC FILE DIGITALLY SIGNED AND SEALED UNDER RULE 61G15-23.004, F.A.C.



REVISIONS		ENGINEER OF RECORD		DEPARTMENT OF TRANSPORTATION		SHEET NO.
DATE	DESCRIPTION	DATE	DESCRIPTION	ROAD NO.	FINANCIAL PROJECT ID	
				LEE COUNTY	LEE	147
				LEE COUNTY		
				LEE		

CROSS SECTIONS

RYAN K. BELL, P.E. 60010
 LICENSE NUMBER
 JOHNSON ENGINEERING INC.
 2122 JOHNSON STREET
 FORT WALTER, FL 32061

I. SITE DESCRIPTION:

(1) NATURE OF CONSTRUCTION ACTIVITY:

NEW CONSTRUCTION AND ROADWAY IMPROVEMENTS FOR ALICO ROAD

(2) SEQUENCE OF MAJOR SOIL DISTURBING ACTIVITIES:

THE CONTRACTOR SHALL BE REQUIRED TO FOLLOW THE EROSION CONTROL PLANS INCLUDED IN THE CONSTRUCTION PLANS. THE CONTRACTOR SHALL ALSO PREPARE A DETAILED CONSTRUCTION SCHEDULE TO INDICATE DATES OF MAJOR GRADING ACTIVITIES AND DETERMINE SEQUENCES OF TEMPORARY AND PERMANENT SOIL DISTURBING ACTIVITIES ON ALL PORTIONS OF THE PROJECT. THE CONTRACTOR WILL BE REQUIRED TO MODIFY THE PLAN OR MATERIALS TO ADAPT TO SEASONAL VARIATIONS. CONSTRUCTION ACTIVITY VARIATIONS, OR AS DIRECTED BY THE ENGINEER, APPLICABLE EROSION CONTROL DEVICES AND IMPLEMENTATION PROCEDURES ARE SUPPLIED IN THE STATE OF FLORIDA EROSION AND SEDIMENT CONTROL MANUAL. THE ENGINEER IS RESPONSIBLE FOR DETERMINING IF ANY MODIFICATIONS OR ADDITIONAL CONTROLS ARE REQUIRED AND TO OBTAIN DEPLOYMENT SCHEDULES FOR THE IMPLEMENTATION OF ALL ADDITIONAL EROSION CONTROL DEVICES FROM THE CONTRACTOR.

(3) GENERAL NOTES:

- (a) ALL EROSION CONTROL DEVICES FOR EACH PHASE OF WORK ARE TO BE INSTALLED PRIOR TO BEGINNING WORK ON THAT PHASE.
- (b) INSTALL STAKED SILT FENCE WHERE LISTED IN THE EROSION CONTROL PLANS FOR PERIMETER CONTROLS BEFORE THE LAND IS DISTURBED.
- (c) PROVIDE SYNTHETIC BALES WHERE LISTED IN THE EROSION CONTROL PLANS FOR DITCH BLOCKS DURING CONSTRUCTION.
- (d) PROVIDE ROCK BAGS AT INLET OPENINGS.
- (e) COVER OR STABILIZE DISTURBED AREAS AS SOON AS POSSIBLE.
- (f) DO NOT DISTURB AN AREA UNTIL IT IS NECESSARY FOR CONSTRUCTION TO PROCEED.
- (g) TIME CONSTRUCTION ACTIVITIES TO LIMIT IMPACT FROM SEASONAL CLIMATE CHANGES OR WEATHER EVENTS.
- (h) DO NOT REMOVE PERIMETER CONTROLS UNTIL AFTER ALL UPSTREAM AREAS ARE FULLY STABILIZED AND PERMANENT GRASSING IS ESTABLISHED.

(4) PROJECT AREAS:

THE ESTIMATED TOTAL PROJECT AREA IS _____ ACRES. THE ESTIMATED AREA TO BE DISTURBED DURING CONSTRUCTION ACTIVITIES IS _____ ACRES.

(5) RUNOFF COEFFICIENTS BEFORE Cw(B), DURING Cw(D), AND AFTER Cw(A) CONSTRUCTION:

RUNOFF COEFFICIENT FOR:
 GRASSED SHOULDERS ADJACENT TO ROADWAY: C=
 IMPERVIOUS ROADWAYS AND PAVED SHOULDER: C=
 DISTURBED AREAS, EXPOSED SOIL, ETC., DURING CONSTRUCTION: C=

WEIGHTED RUNOFF COEFFICIENT:
 BEFORE: Cw(B) = 0.4 DURING: Cw(D) = 0.4 AFTER: Cw(A) = 0.7
 THE RUNOFF COEFFICIENT DURING CONSTRUCTION, Cw(D), IS CALCULATED ASSUMING THAT THE MAXIMUM ALLOWABLE AREA OF SOIL IS DISTURBED DURING CONSTRUCTION.

(6) DESCRIPTION OF SOIL OR QUALITY OF DISCHARGE:

THE SOILS THAT MAY EXIST WITHIN THE PROJECT LIMITS ARE GENERALLY SANDY SOILS AS SHOWN IN THE USDA SOIL SURVEY MAPS.

(7) ESTIMATED DRAINAGE AREA AND AVERAGE SLOPE OF DRAINAGE AREA FOR EACH OUTFALL:

- (a) SITE MAP: SEE CONSTRUCTION PLANS
- (b) DRAINAGE MAP: SEE CONSTRUCTION PLANS

(8) RECEIVING WATERS:

WILDBLUE LAKES, _____

(9) THE OUTFALLS ARE NOT 303(d) LISTED WATERS FOR TOTAL SUSPENDED SOLIDS (TSS), TURBIDITY, AND

SETTLABLE SOLIDS.

(10) OUTFALL LOCATIONS:

- BASIN 300:
- BASIN 400:
- BASIN 600:
- BASIN 800:

(11) WETLAND IMPACTS ARE DETAILED IN THE ENVIRONMENTAL RESOURCE PERMIT AND ASSOCIATED DOCUMENTATION.

(12) DESCRIPTION OF STORMWATER MANAGEMENT: (EXISTING/PROPOSED)

- (a) PRESENTLY EXISTING DRAINAGE FLOWS ARE SOUTH TOWARDS THE EXISTING PONDS AND NORTH TO THE EXISTING ALICO DITCH.
- (b) OFF-SITE RUNOFF SHOULD BE DIVERTED AWAY OR THROUGH THE CONSTRUCTION AREA, IF POSSIBLE. THIS ADDITIONAL FLOW, IF NOT DIVERTED, CAN ADD VOLUME AND SIZE TO EROSION CONTROL PRACTICES, REQUIRING MORE FREQUENT MAINTENANCE AND LIMITING EFFECTIVENESS OF EROSION AND SEDIMENT CONTROLS.
- (c) THE CONTRACTOR WILL PROVIDE POLLUTION CONTROL BY IMPLEMENTING DUST CONTROL DURING ALL PHASES OF CONSTRUCTION. THIS WILL BE ACCOMPLISHED BY WATERING DISTURBED AREAS.
- (d) THE CONTRACTOR SHALL TAKE ALL REASONABLE PRECAUTIONS TO PREVENT UNAUTHORIZED MATERIALS FROM ENTERING THE WATERWAYS.

II. CONTROLS:

EROSION AND SEDIMENT CONTROLS

- (1) WATER QUALITY MONITORING SHALL BE CONDUCTED BY THE CONTRACTOR UPON THE OBSERVATION THAT THE WATER QUALITY STANDARDS MAY BE VIOLATED BY THE CONTRACTOR'S ACTIVITIES. MONITORING LOCATIONS SHALL BE DESIGNATED BY THE PROJECT ENGINEER. THE CONSTRUCTION MANAGER WILL BE RESPONSIBLE FOR MONITORING ANY ACTIVITIES FOR VIOLATION OF WATER QUALITY STANDARDS AS RELATED TO TURBIDITY (29NTU'S ABOVE BACKGROUND). MONITORING WILL BE ACCOMPLISHED BY RECORDING TURBIDITY READINGS FROM THE CENTER OF THE STREAM, ONE (1) UPSTREAM OF THE ACTIVITY AND ONE (1) DOWNSTREAM OF THE EROSION CONTROL DEVICES, BUT WITHIN THE PROJECT RIGHT OF WAY. IF WATER QUALITY STANDARDS ARE VIOLATED, CONSTRUCTION SHOULD BE STOPPED IMMEDIATELY AND EROSION CONTROL DEVICES RE-EVALUATED BY THE LEE COUNTY REPRESENTATIVE PRIOR TO ANY CONTINUATION OF ACTIVITY. MONITORING ACTIVITIES AND TURBIDITY READINGS SHALL BE RECORDED ON THE CONSTRUCTION INSPECTION REPORT AND CONTINUED UNTIL TURBIDITY READINGS FALL BELOW AN ACCEPTABLE LEVEL (29NTU'S ABOVE BACKGROUND). WATER QUALITY MONITORING MAY BE CONDUCTED DURING ANY PHASE OF CONSTRUCTION AS DIRECTED BY THE COUNTY.

(2) STABILIZATION PRACTICES:

STABILIZATION MEASURES, SUCH AS PERFORMANCE TURF (SODDING) OF SIDE SLOPES PER FDOT SPECIFICATION SECTION 570 SHALL BE INITIATED AS SOON AS PRACTICAL IN PORTIONS OF THE SITE WHERE CONSTRUCTION ACTIVITIES HAVE TEMPORARILY OR PERMANENTLY CEASED, BUT IN NO CASE SHALL THE TIME BE GREATER THAN SEVEN (7) DAYS AFTER THE CONSTRUCTION ACTIVITY TEMPORARILY OR PERMANENTLY CEASES.

(3) STRUCTURAL PRACTICES INCLUDE:

- (a) STAKED SILT FENCES
- (b) SYNTHETIC BALES
- (c) SOIL TRACKING PREVENTION DEVICES AT CONSTRUCTION ENTRANCES/EXITS
- (d) FLOATING TURBIDITY BARRIER
- (e) STAKED TURBIDITY BARRIER

(4) SILT FENCE LOCATIONS:

- (a) STAKED SILT FENCE SHALL BE LOCATED AT MINIMUM AS SHOWN IN THE EROSION CONTROL PLANS.
- (b) STOCKPILE AREAS SHALL INCLUDE STAKED SILT FENCE AROUND THE PERIMETER.

ENGINEER OF RECORD

RYAN K. BELL, P.E. 60010
 LICENSE NUMBER
 JOHNSON ENGINEERING INC.
 2122 JOHNSON STREET
 FORT WALTERS, FL 32061

REVISIONS

DATE	DESCRIPTION	DATE	DESCRIPTION

LEE COUNTY

DEPARTMENT OF TRANSPORTATION

ROAD NO. COUNTY FINANCIAL PROJECT ID

LEE

STORM WATER POLLUTION
 PREVENTION PLAN

SHEET

NO.

148

(5) SYNTHETIC BALE LOCATIONS:

GENERALLY, SYNTHETIC BALES SHALL BE INSTALLED AT PROPOSED INLET LOCATIONS AND AS DITCH BLOCKS TO AVOID DOWNSTREAM SILTATION. DITCH BLOCKS SHOULD BE LOCATED APPROXIMATELY EVERY 300 FEET OR 90 M.

(6) CONSTRUCTION ENTRANCES/EXITS:

SOIL TRACKING PREVENTION DEVICES (INDEX 106) SHALL BE PROVIDED FOR BOTH ON-SITE AND OFF-SITE LOCATIONS OF STOCKPILED OR EXCAVATED MATERIAL, INCLUDING PROPOSED POND SITES. IF IMMEDIATELY ADJACENT TO A PUBLIC ROADWAY, THE ENGINEER SHALL BE RESPONSIBLE FOR MODIFYING THE SYSTEM OR PROCEDURES AS NEEDED.

(7) TURBIDITY BARRIER LOCATION:

(a) STAKED TURBIDITY BARRIER IS TO BE USED IN AREAS WHERE WATER BODIES ARE LESS THAN 0.91 M (3 FEET) DEEP.

(b) ALL EROSION CONTROL DEVICES SHALL BE INSTALLED ACCORDING TO THE CONTRACT DOCUMENTS.

(c) ANY TEMPORARY MATERIAL USED FOR POLLUTION OR EROSION CONTROL DURING CONSTRUCTION SHALL BE REMOVED AT THE COMPLETION OF THE PROJECT AND FINAL STABILIZATION OF SOILS HAVE BEEN ACHIEVED.

II. OTHER CONTROLS:

(3) WASTE DISPOSAL:

(a) THE CONTRACTOR WILL PROVIDE LITTER CONTROL AND COLLECTION WITHIN THE PROJECT BOUNDARIES DURING CONSTRUCTION ACTIVITIES.

(b) ALL FERTILIZER AND CHEMICAL CONTAINERS SHALL BE DISPOSED OF BY THE CONTRACTOR ACCORDING TO EPA'S STANDARD PRACTICES AS DETAILED BY THE MANUFACTURER.

(c) NO SOLID MATERIALS, INCLUDING BUILDING AND CONSTRUCTION MATERIALS SHALL BE DISCHARGED TO WETLANDS OR BURIED ON-SITE.

(d) ALL SANITARY WASTE WILL BE COLLECTED FROM PORTABLE UNITS BY A LICENSED SANITARY WASTE MANAGEMENT CONTRACTOR AS REQUIRED BY STATE REGULATIONS.

(2) OFF-SITE VEHICLE TRACKING - WILL BE CONTROLLED BY THE FOLLOWING METHODS:

(a) LOADED HAUL TRUCKS ARE TO BE COVERED BY A TARP/AULIN AT ALL TIMES.

(b) EXCESS DIRT ON ROAD WILL BE REMOVED DAILY.

(3) STATE AND LOCAL REGULATIONS: PERMITS WILL BE REQUIRED FROM THE FOLLOWING AGENCIES:

FDEP (NPDES) (CONTRACTOR TO OBTAIN)

(4) NON-STORMWATER (INCLUDING SPILL REPORTING)

THE CONTRACTOR WILL PROVIDE THE COUNTY WITH AN EROSION CONTROL PLAN THAT WILL INCLUDE 5 PILL CONTAINMENT, REPORTING, AND RESPONSES.

IV. MAINTENANCE:

(1) THE CONTRACTOR SHALL BE RESPONSIBLE FOR MAINTENANCE AND REPAIRS OF EROSION AND SEDIMENT CONTROL DEVICES, AND REMOVAL OF EROSION AND SEDIMENT CONTROL DEVICES WHEN NOTICE OF TERMINATION IS MAILED.

(2) THE FOLLOWING PRACTICES WILL BE USED TO MAINTAIN EROSION AND SEDIMENT CONTROLS:

GENERAL - ALL CONTROL MEASURES WILL BE MAINTAINED DAILY BY THE CONTRACTOR. ALL MEASURES WILL BE MAINTAINED IN GOOD WORKING ORDER. IF A REPAIR IS NECESSARY, IT WILL BE INITIATED WITHIN 24 HOURS OF NOTICE.

(3) STRUCTURAL PRACTICES:

SODDING WILL BE INSPECTED FOR BARE SPOTS, WASHOUTS, AND HEALTHY GROWTH. SYNTHETIC BALES SHALL BE MAINTAINED TO ENSURE THEIR USEFULNESS AND NOT BLOCK OR IMPEDE STORMWATER FLOW OR DRAINAGE. STAKED SILT FENCES SHALL BE REPLACED EVERY TWELVE (12) MONTHS OR WHEN THEY HAVE SERVED THEIR USEFULNESS SO AS NOT TO BLOCK OR IMPEDE STORMWATER FLOW OR DRAINAGE. STABILIZED CONSTRUCTION ENTRANCES SHALL BE MAINTAINED TO PREVENT CLOGGING OF ROCK BEDDING WHICH MAY IMPEDE THE USEFULNESS OF THE STRUCTURE.

V. INSPECTION:

(1) THE CONTRACTOR SHALL INSTALL AND MAINTAIN RAIN GAUGES ON THE PROJECT SITE AND RECORD WEEKLY RAINFALL IN ACCORDANCE WITH THE NPDES PERMIT. ALL CONTROL MEASURES WILL BE MAINTAINED DAILY BY THE CONTRACTOR.

(2) ALL EROSION AND WATER POLLUTION ABATEMENT AND CONTROL MEASURES WILL BE INSPECTED DAILY BY CONTRACTOR'S PERSONNEL WHO ARE F.D.E.P. CERTIFIED STORMWATER MANAGEMENT INSPECTORS.

(3) THE CONTRACTOR SHALL COMPLETE ALL SWPPP INSPECTION REPORT FORMS REQUIRED FOR THE NPDES PERMIT.

VI. TRACKING AND REPORTING:

(1) THE CONTRACTOR SHALL SUBMIT A WEEKLY REPORT TO THE COUNTY DOCUMENTING THE DAILY INSPECTIONS AND MAINTENANCE OR REPAIRS TO THE SEDIMENT CONTROL DEVICES. THE CONTRACTOR SHALL MAINTAIN ALL REQUIRED REPORTS AND COMPLETE ALL SWPPP INSPECTION FORMS.

(2) PREPARATION OF ALL THE CONTRACTOR'S REPORTS OF INSPECTION, MAINTENANCE AND REPAIRS REQUIRED FOR THE CONTROL AND ABATEMENT OF EROSION AND WATER POLLUTION, SHALL BE INCLUDED IN THE INDIVIDUAL COSTS OF THE EROSION CONTROL DEVICES.

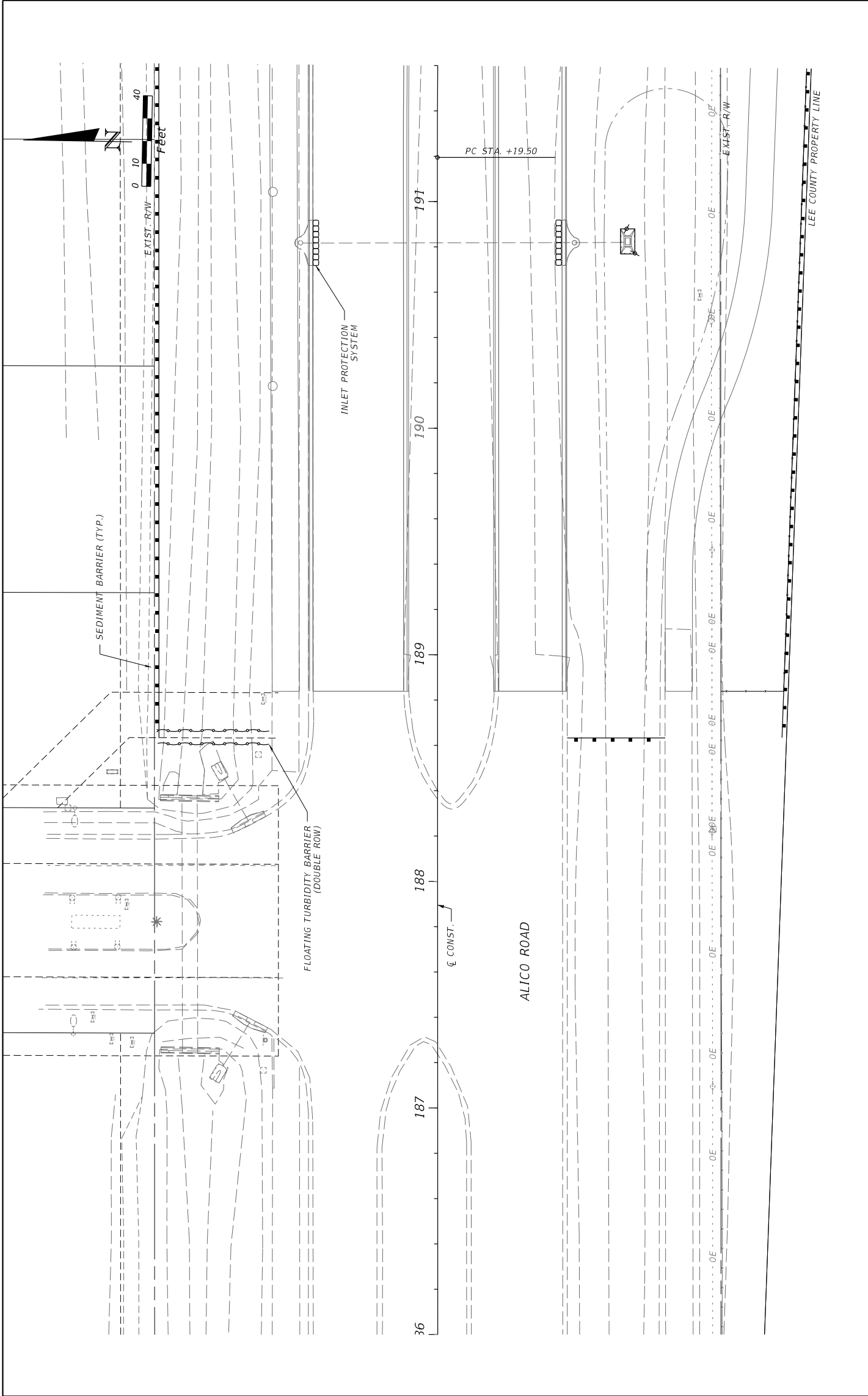
(3) THE CONTRACTOR SHALL USE THE CONSTRUCTION INSPECTION REPORT (# 650-040-03) DATED 11/09 FOR DAILY INSPECTIONS.

REVISIONS		ENGINEER OF RECORD	
DATE	DESCRIPTION	DATE	DESCRIPTION

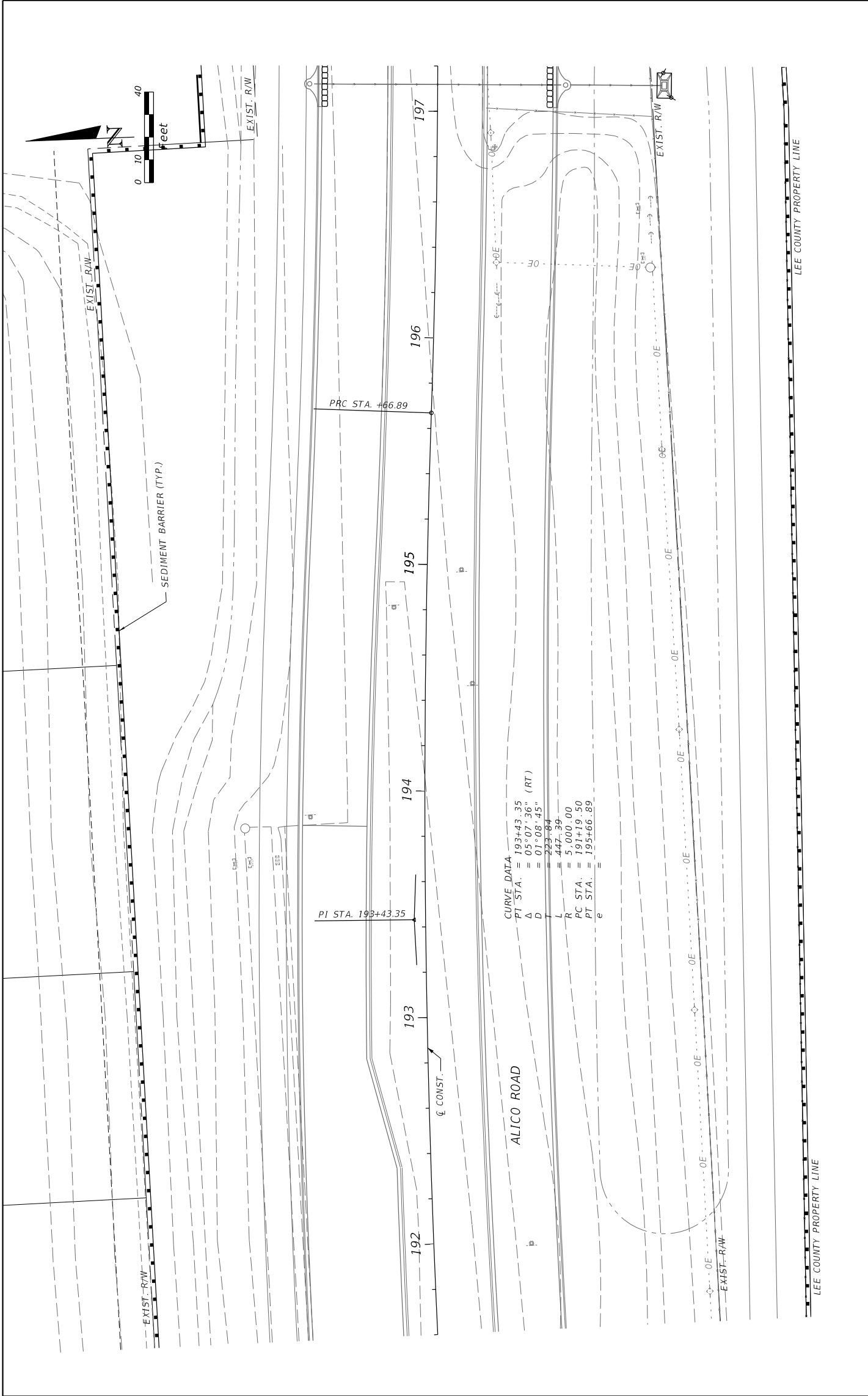
RYAN K. BELL, P.E. 60010 LICENSE NUMBER JOHNSON ENGINEERING INC. 2122 JOHNSON STREET FORT WALTERS, FL 33001	
---	--

LEE COUNTY DEPARTMENT OF TRANSPORTATION	
ROAD NO.	COUNTY
	LEE
FINANCIAL PROJECT ID	

STORM WATER POLLUTION PREVENTION PLAN	
SHEET NO.	149



REVISIONS		ENGINEER OF RECORD		DEPARTMENT OF TRANSPORTATION		SHEET NO.	
DATE	DESCRIPTION	DATE	DESCRIPTION	ROAD NO.	COUNTY	FINANCIAL PROJECT ID	NO.
			RYAN K. BELL, P.E. 60010 LICENSE NUMBER JOHNSON ENGINEERING INC. 2122 JOHNSON STREET FORT WALTERS, FL 33901		LEE		150
				EROSION CONTROL			



CURVE DATA
 PT STA. = 193+43.35
 Δ = 05°07'.36" (RT)
 D = 01°08'.45"
 L = 223.84
 L = 447.39
 R = 5,000.00
 PC STA. = 191+19.50
 PT STA. = 195+66.89

REVISIONS		ENGINEER OF RECORD		DEPARTMENT OF TRANSPORTATION		SHEET NO.
DATE	DESCRIPTION	DATE	DESCRIPTION	ROAD NO.	FINANCIAL PROJECT ID	
				LEE COUNTY		151
				COUNTY		
				LEE		

EROSION CONTROL

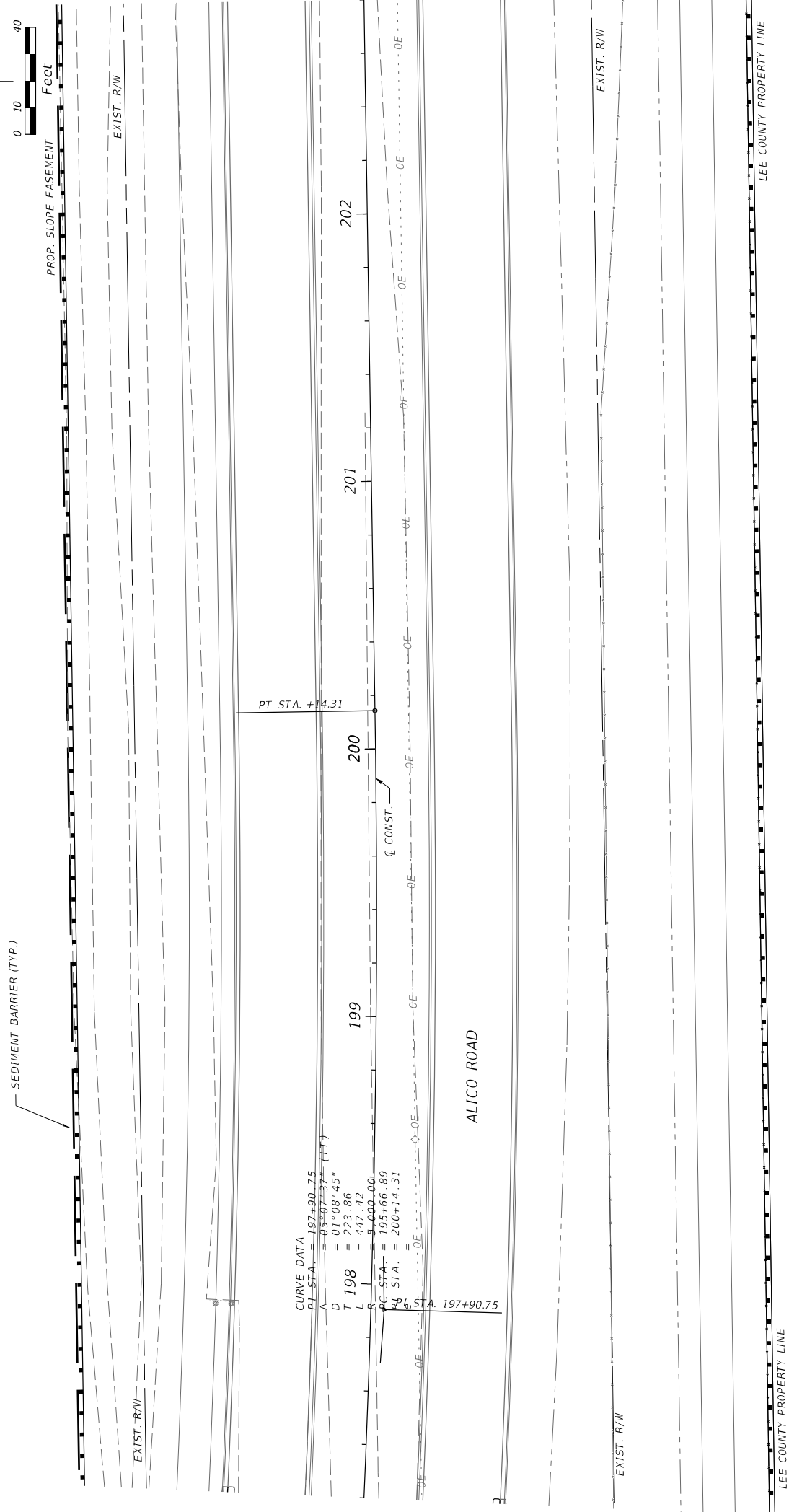
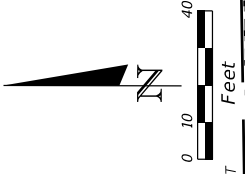
LEE COUNTY

LEE COUNTY PROPERTY LINE

RYAN K. BELL, P.E. 60010
 LICENSE NUMBER
 JOHNSON ENGINEERING INC.
 2122 JOHNSON STREET
 FORT MYERS, FL 33901

LEE COUNTY PROPERTY LINE

LEE COUNTY PROPERTY LINE

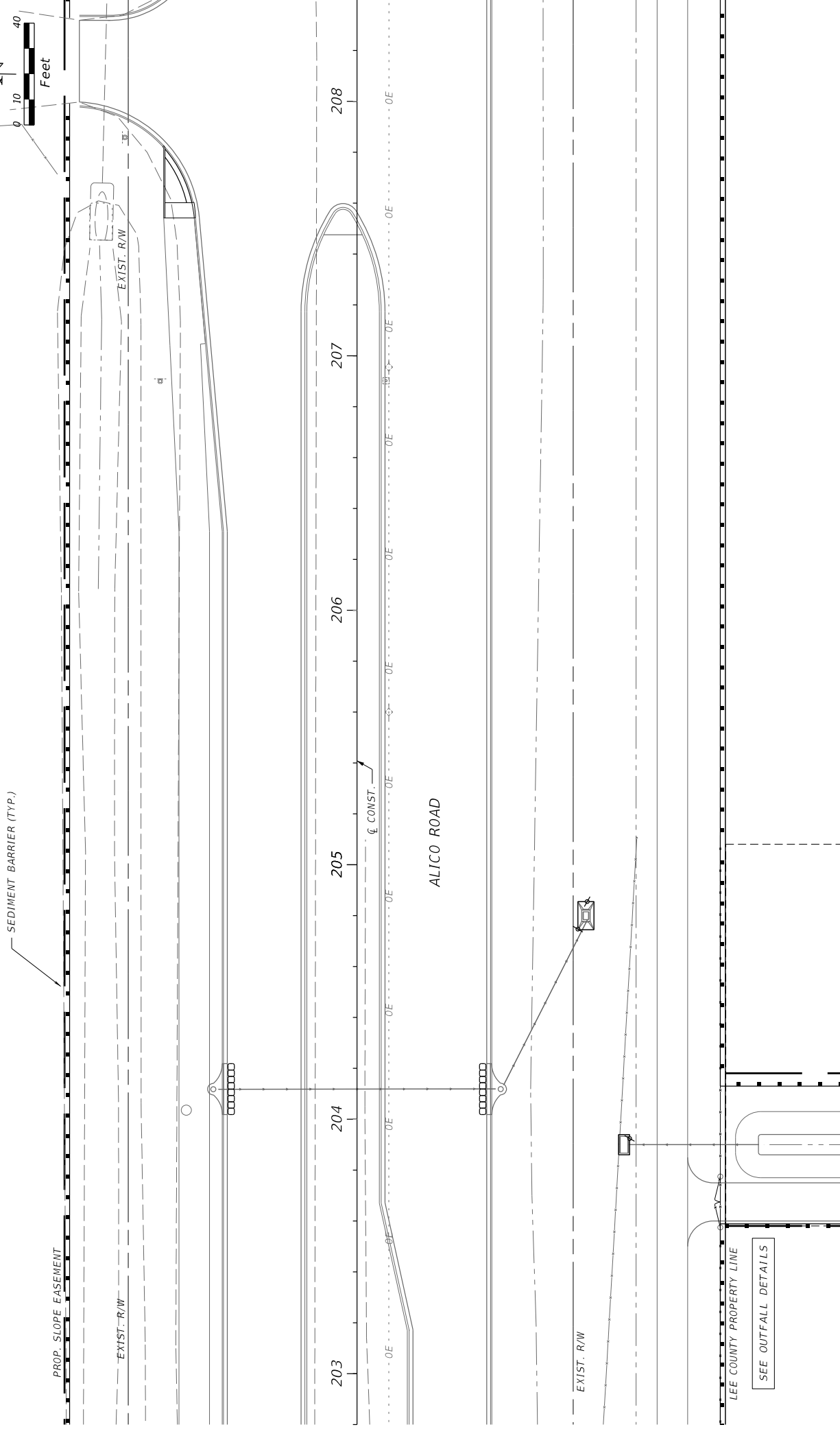
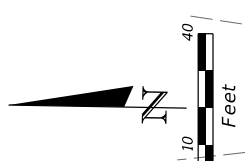


CURVE DATA

PI STA.	= 197+90.75
Δ	= 05°07'37" (LT)
D	= 01°08'45"
T	= 223.86
L	= 447.42
L	= 8,000.00'
PC STA.	= 195+66.89
PT STA.	= 200+14.31

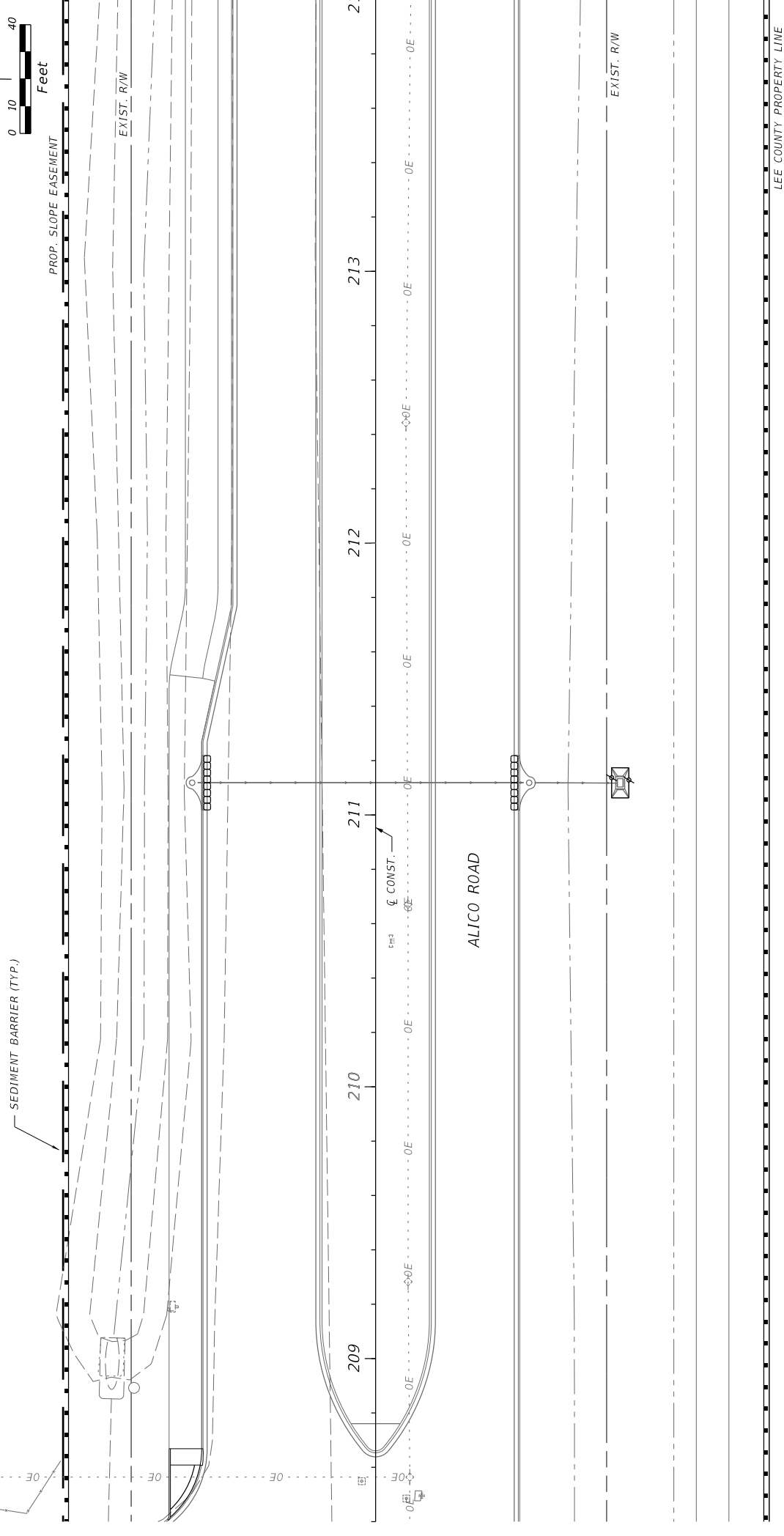
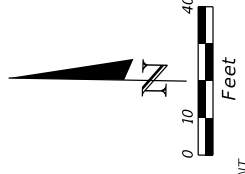
REVISIONS		DESCRIPTION	DATE	DESCRIPTION	ENGINEER OF RECORD	DEPARTMENT OF TRANSPORTATION		SHEET NO.
DATE	DESCRIPTION					ROAD NO.	COUNTY	
					RYAN K. BELL, P.E. 60010 LICENSE NUMBER JOHNSON ENGINEERING INC. 2122 JOHNSON STREET FORT MYERS, FL 33901		LEE	152

EROSION CONTROL

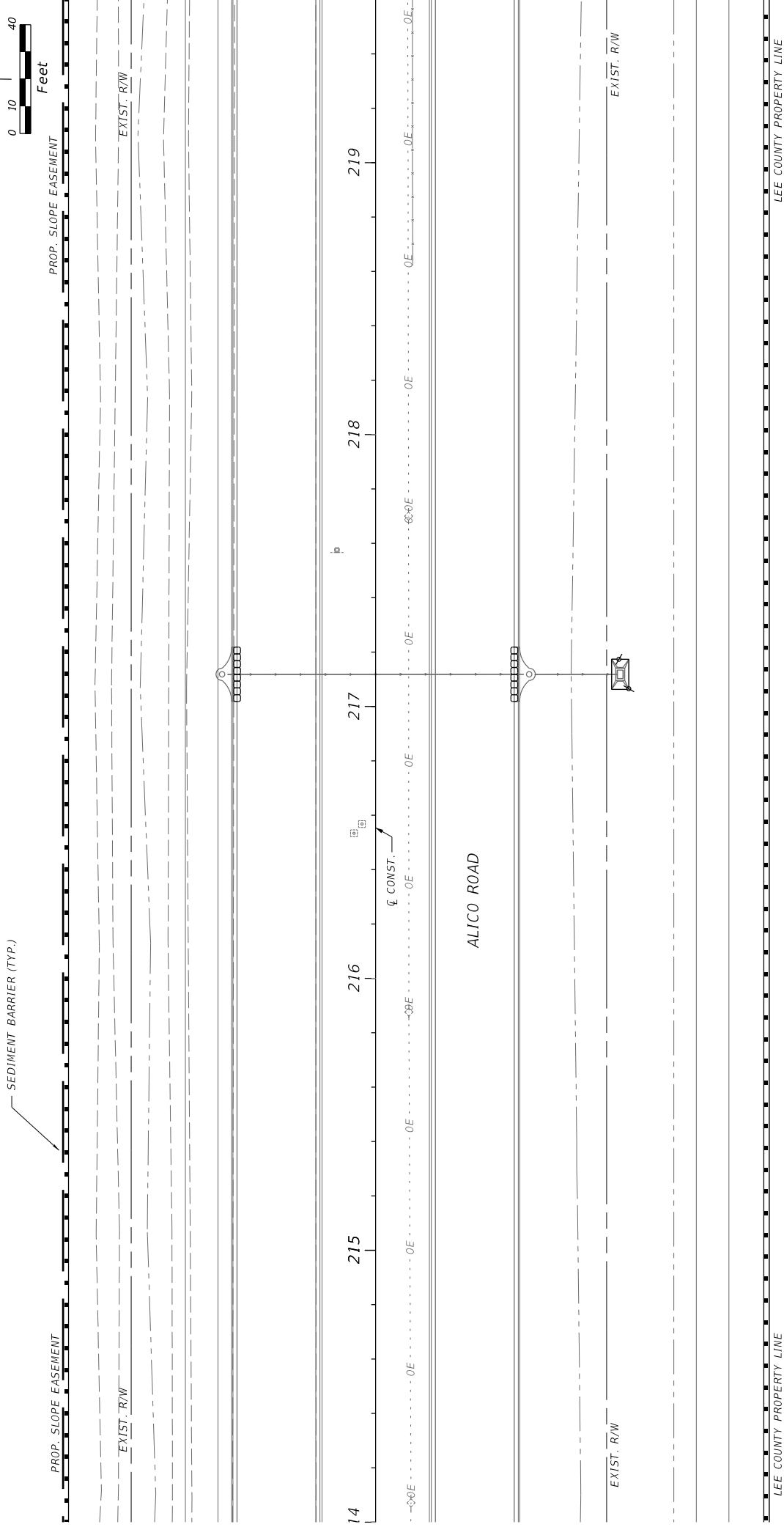
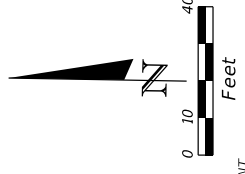


DATE		REVISIONS		DESCRIPTION		ENGINEER OF RECORD		DEPARTMENT OF TRANSPORTATION		SHEET NO.	
								LEE COUNTY	LEE COUNTY	153	
						RYAN K. BELL, P.E.	00010	ROAD NO.	FINANCIAL PROJECT ID		
						LICENSE NUMBER		COUNTY			
						2122 JOHNSON STREET		LEE			
						FORT MYERS, FL 33901					

EROSION CONTROL

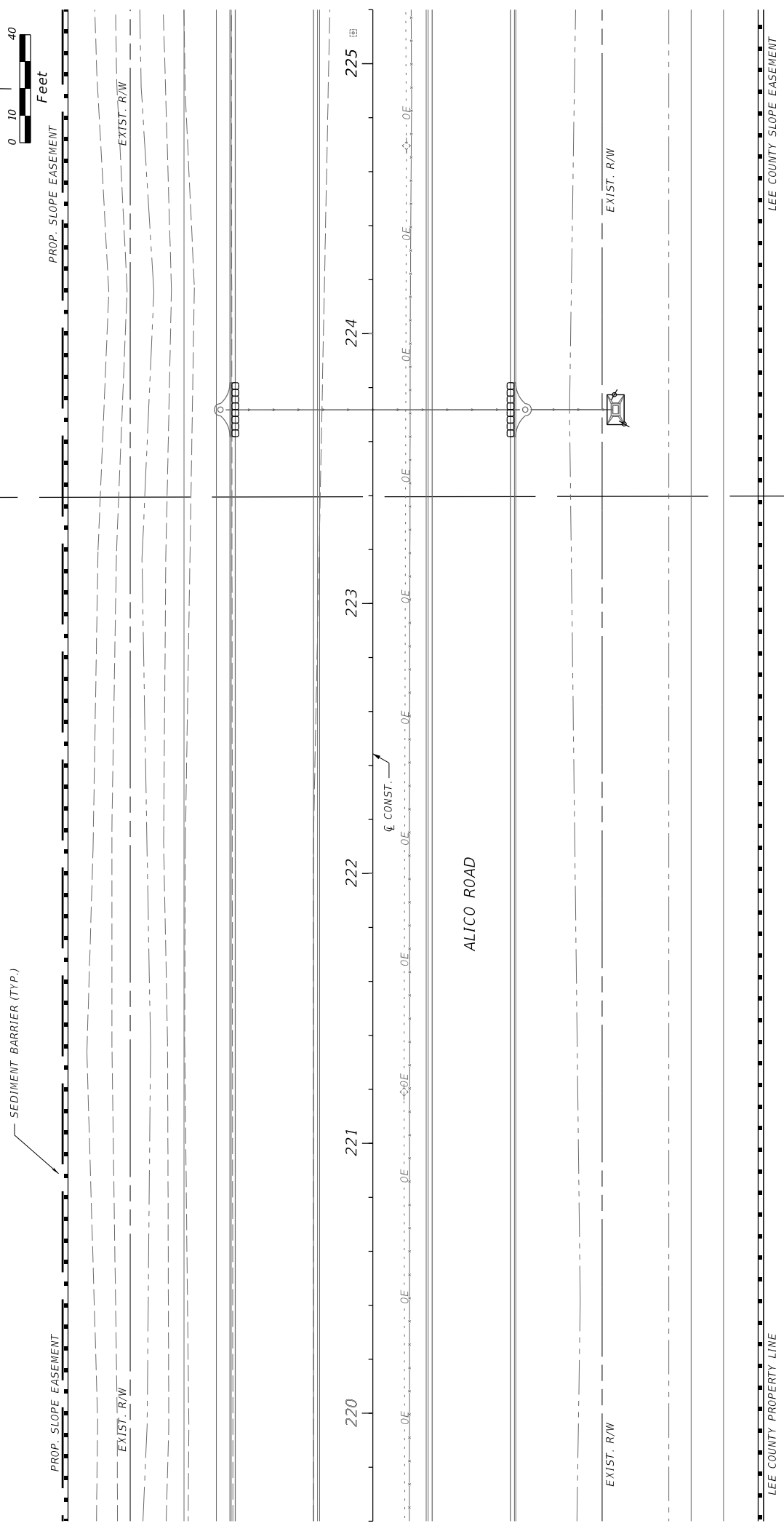
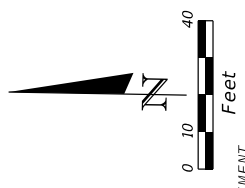


DATE		REVISIONS		DESCRIPTION		ENGINEER OF RECORD		DEPARTMENT OF TRANSPORTATION		SHEET NO.	
						RYAN K. BELL, P.E. 60010 LICENSE NUMBER FOR GEOTECHNICAL ENGINEERING 2122 JOHNSON STREET FORT MYERS, FL 33901		LEE COUNTY COUNTY		154	
								ROAD NO.		FINANCIAL PROJECT ID	
								COUNTY		LEE	
EROSION CONTROL											

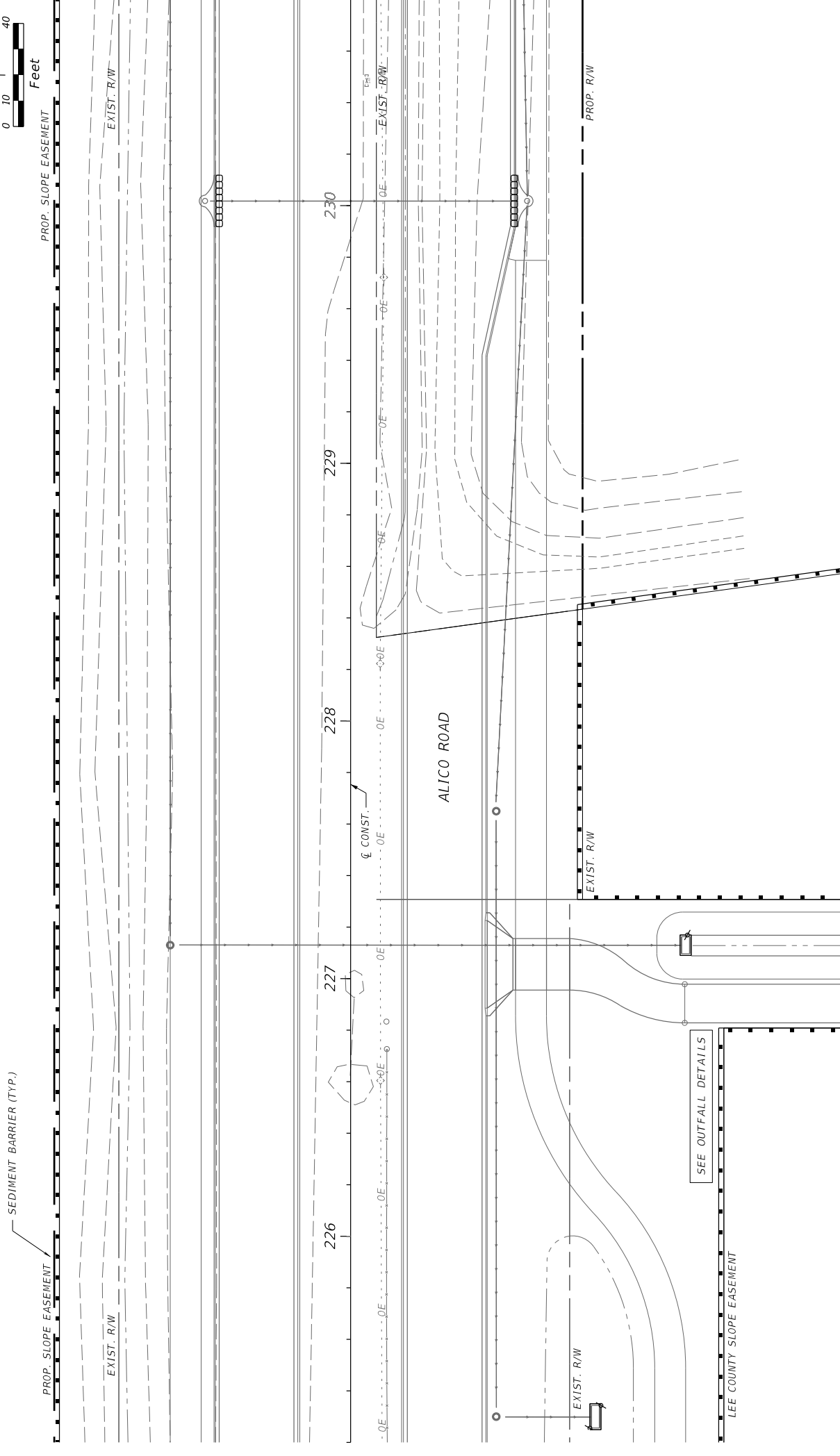
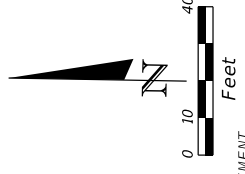


REVISIONS		ENGINEER OF RECORD		DEPARTMENT OF TRANSPORTATION		SHEET NO.
DATE	DESCRIPTION	DATE	DESCRIPTION	ROAD NO.	FINANCIAL PROJECT ID	
				LEE COUNTY		155
				COUNTY		
				LEE		
				EROSION CONTROL		

RYAN K. BELL, P.E.
 LICENSE NUMBER: 60010
 JOHNSON ENGINEERING INC.
 2122 JOHNSON STREET
 FORT MYERS, FL 33901



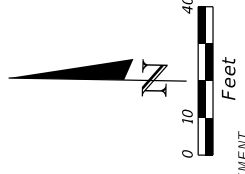
DATE		DESCRIPTION		REVISIONS		ENGINEER OF RECORD		DEPARTMENT OF TRANSPORTATION		SHEET NO.	
						RYAN K. BELL, P.E. LICENSE NUMBER 60010 JOHNSON ENGINEERING INC. 2122 JOHNSON STREET FORT WALTERS, FL 32061		LEE COUNTY COUNTY		156	
								ROAD NO. COUNTY LEE		FINANCIAL PROJECT ID LEE COUNTY SLOPE EASEMENT	
EROSION CONTROL											



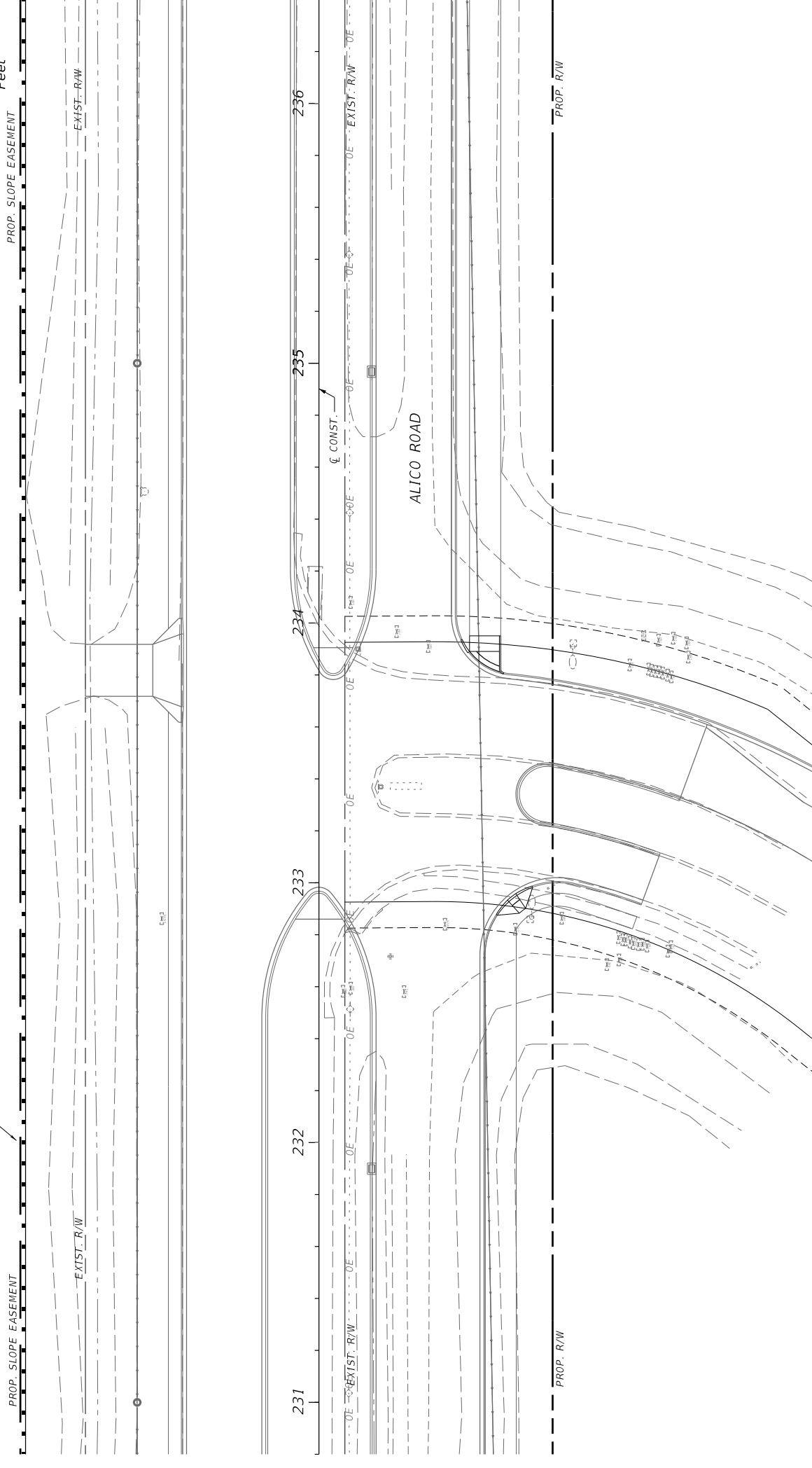
SEDIMENT BARRIER (TYP.)

SEE OUTFALL DETAILS

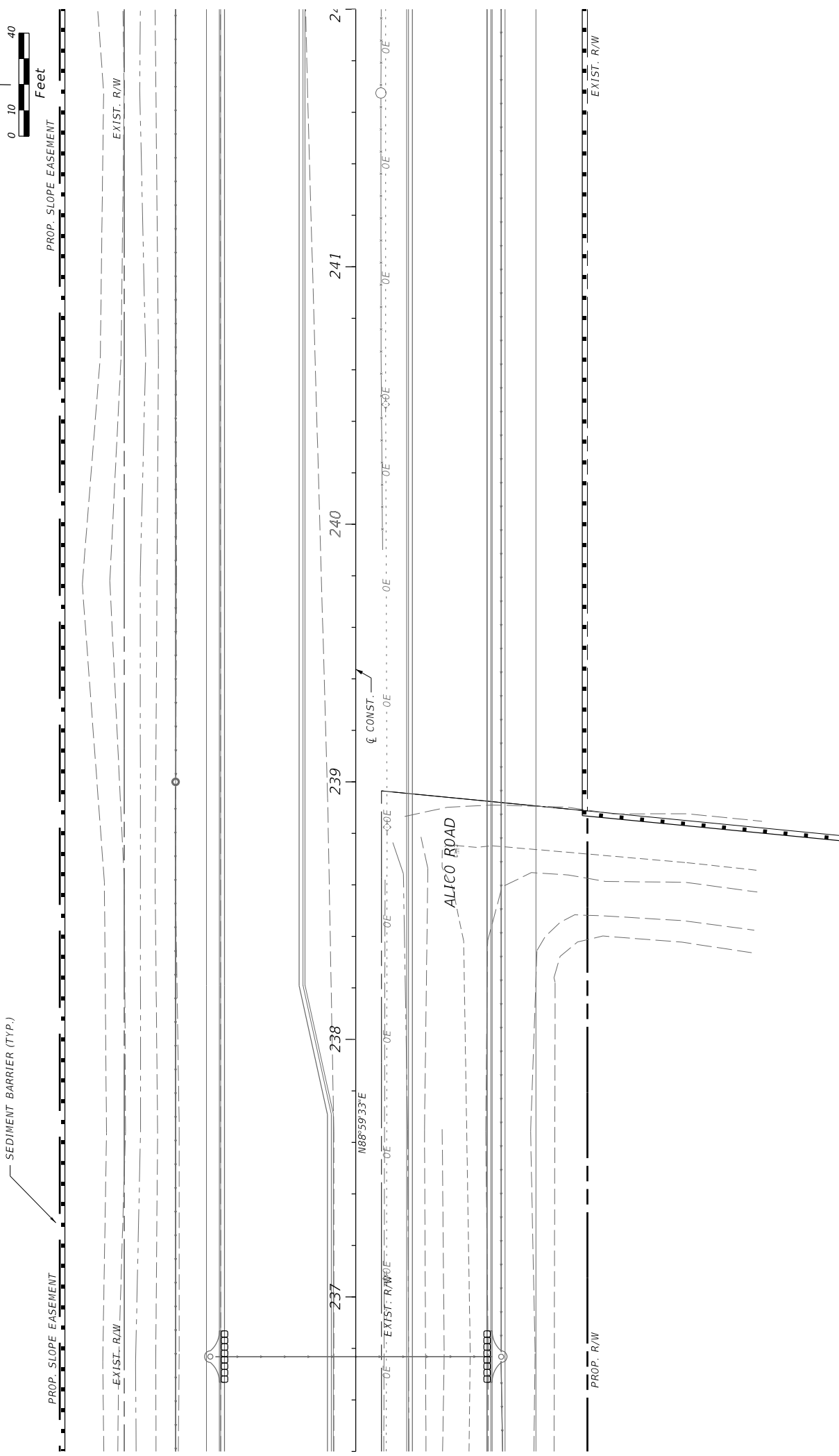
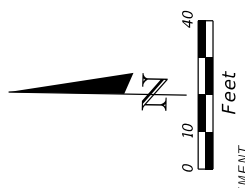
REVISIONS		DESCRIPTION	DATE	DESCRIPTION	ENGINEER OF RECORD	DEPARTMENT OF TRANSPORTATION		SHEET NO.
DATE	DESCRIPTION					ROAD NO.	COUNTY	
					RYAN K. BELL, P.E. 60010 LORISE NURBEE, P.E. LORISE NURBEE CONSULTING INC. 2122 JOHNSON STREET FORT WALTERS, FL 33801	LEE COUNTY		157
						EROSION CONTROL		



SEDIMENT BARRIER (TYP.)

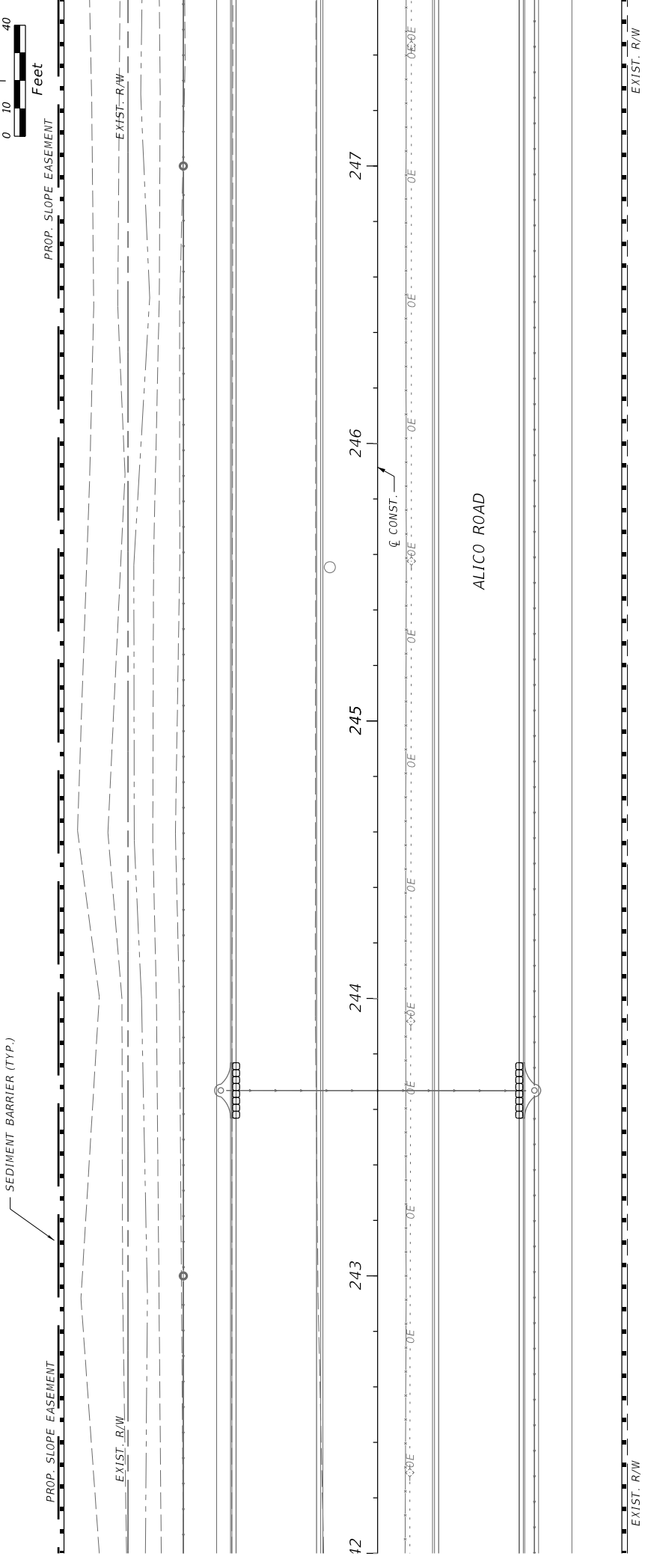
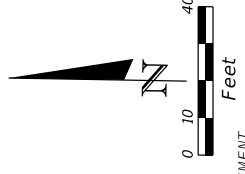


REVISIONS		ENGINEER OF RECORD		DEPARTMENT OF TRANSPORTATION		SHEET NO.	
DATE	DESCRIPTION	DATE	DESCRIPTION	ROAD NO.	COUNTY	FINANCIAL PROJECT ID	NO.
			RYAN K. BELL, P.E. 60010 LICENSE NUMBER JOHNSON ENGINEERING INC. 2122 JOHNSON STREET FORT WALTERS, FL 33901		LEE		158
				EROSION CONTROL			

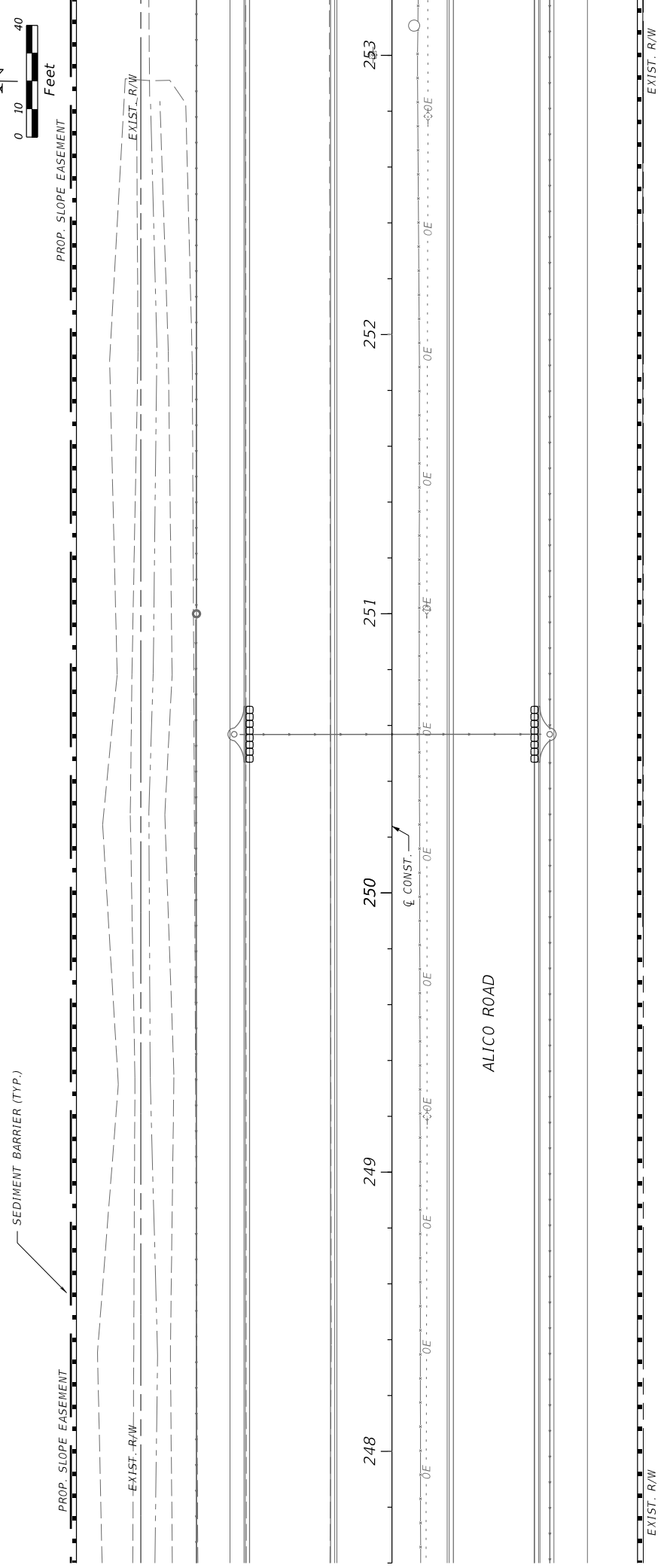
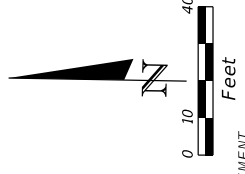


REVISIONS		ENGINEER OF RECORD		DEPARTMENT OF TRANSPORTATION		SHEET NO.
DATE	DESCRIPTION	DATE	DESCRIPTION	ROAD NO.	FINANCIAL PROJECT ID	
			RYAN K. BELL, P.E. 60010 LICENSE NUMBER JOHNSON ENGINEERING INC. 2122 JOHNSON STREET FORT MYERS, FL 33901			159
				COUNTY	LEE	
				COUNTY	LEE	

EROSION CONTROL



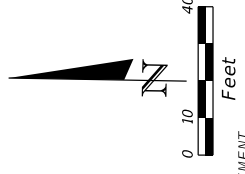
REVISIONS		ENGINEER OF RECORD		DEPARTMENT OF TRANSPORTATION		SHEET NO.
DATE	DESCRIPTION	DATE	DESCRIPTION	ROAD NO.	COUNTY	
			RYAN K. BELL, P.E. 60010 LICENSE NUMBER JOHNSON ENGINEERING INC. 2122 JOHNSON STREET FORT WALTERS, FL 32001		LEE	160
				EROSION CONTROL		



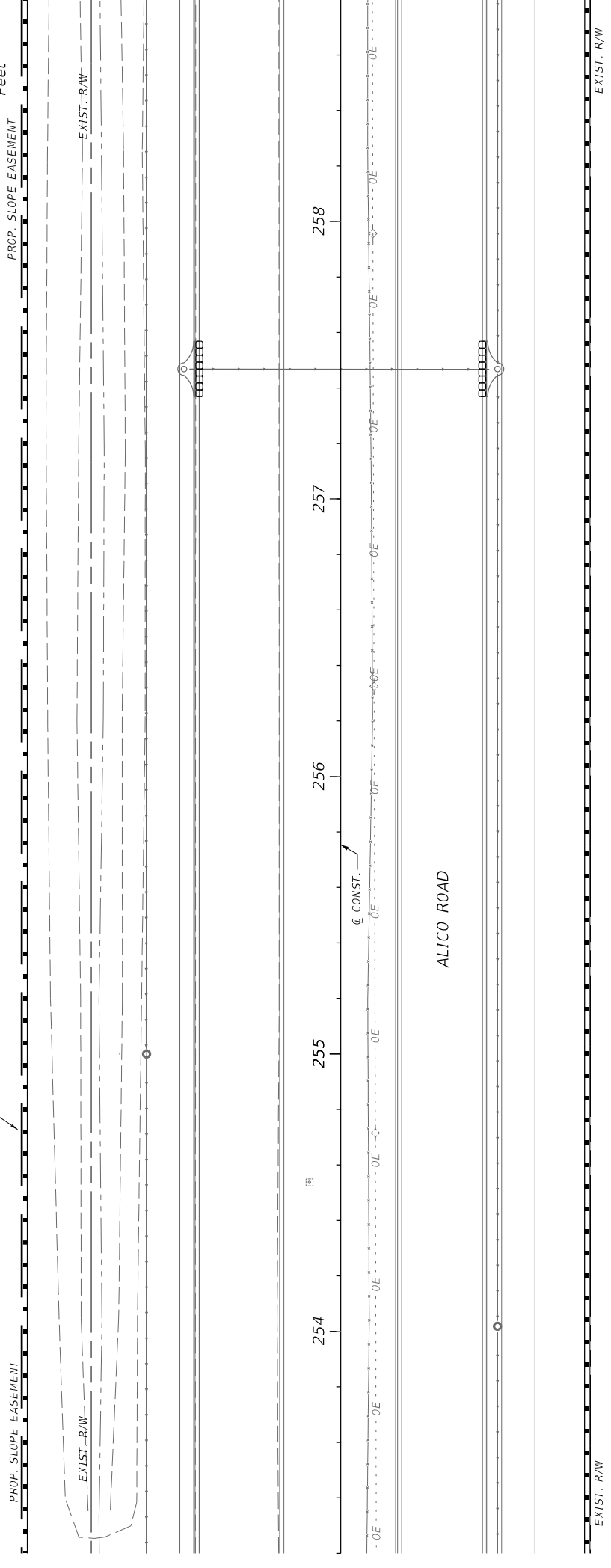
REVISIONS		ENGINEER OF RECORD		DEPARTMENT OF TRANSPORTATION		SHEET NO.
DATE	DESCRIPTION	DATE	DESCRIPTION	ROAD NO.	FINANCIAL PROJECT ID	
				LEE COUNTY		161
				COUNTY	LEE	

EROSION CONTROL

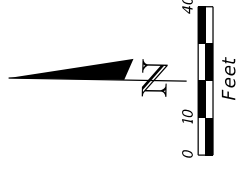
RYAN K. BELL, P.E. 60010
 LICENSE NUMBER
 JOHNSON ENGINEERING INC.
 2122 JOHNSON STREET
 FORT WALTERS, FL 32061



SEDIMENT BARRIER (TYP.)



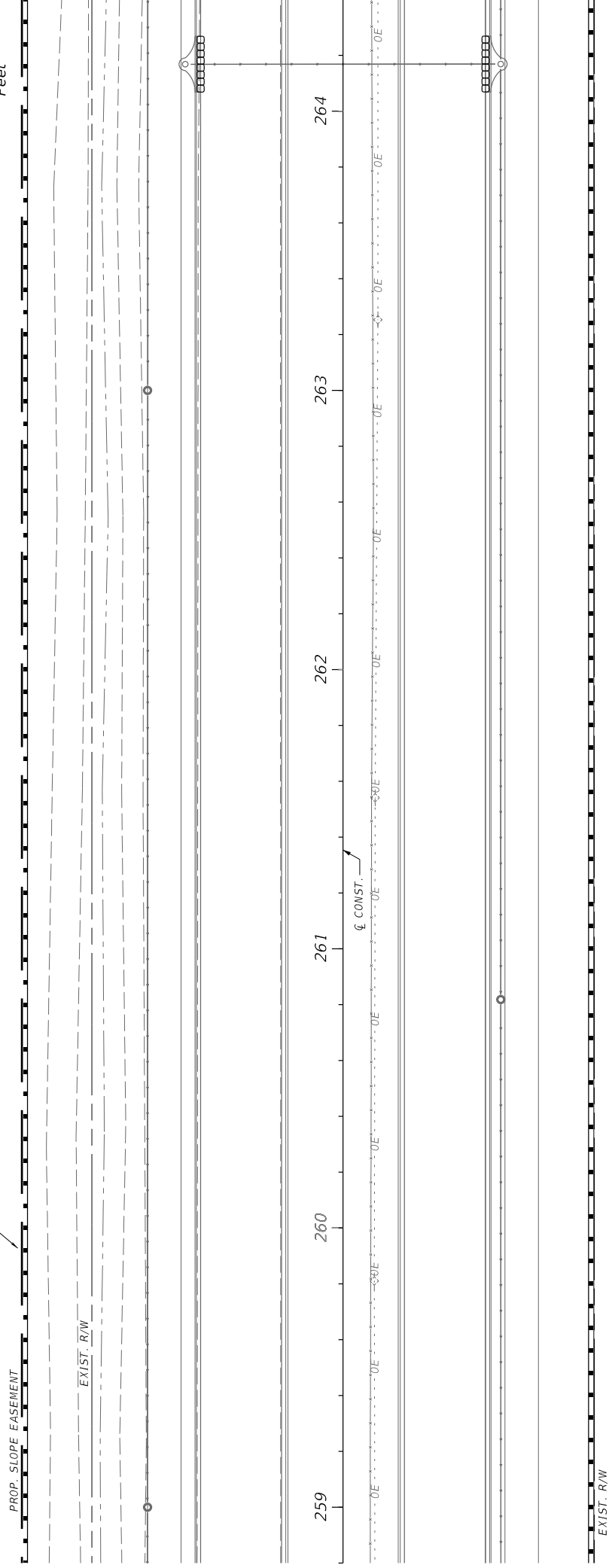
REVISIONS		ENGINEER OF RECORD		DEPARTMENT OF TRANSPORTATION		SHEET NO.
DATE	DESCRIPTION	DATE	DESCRIPTION	ROAD NO.	FINANCIAL PROJECT ID	
			RYAN K. BELL, P.E. 60010 LICENSE NUMBER JOHNSON ENGINEERING INC. 2122 JOHNSON STREET FORT WALTERS, FL 33801	LEE COUNTY		162
				COUNTY	LEE	
EROSION CONTROL						



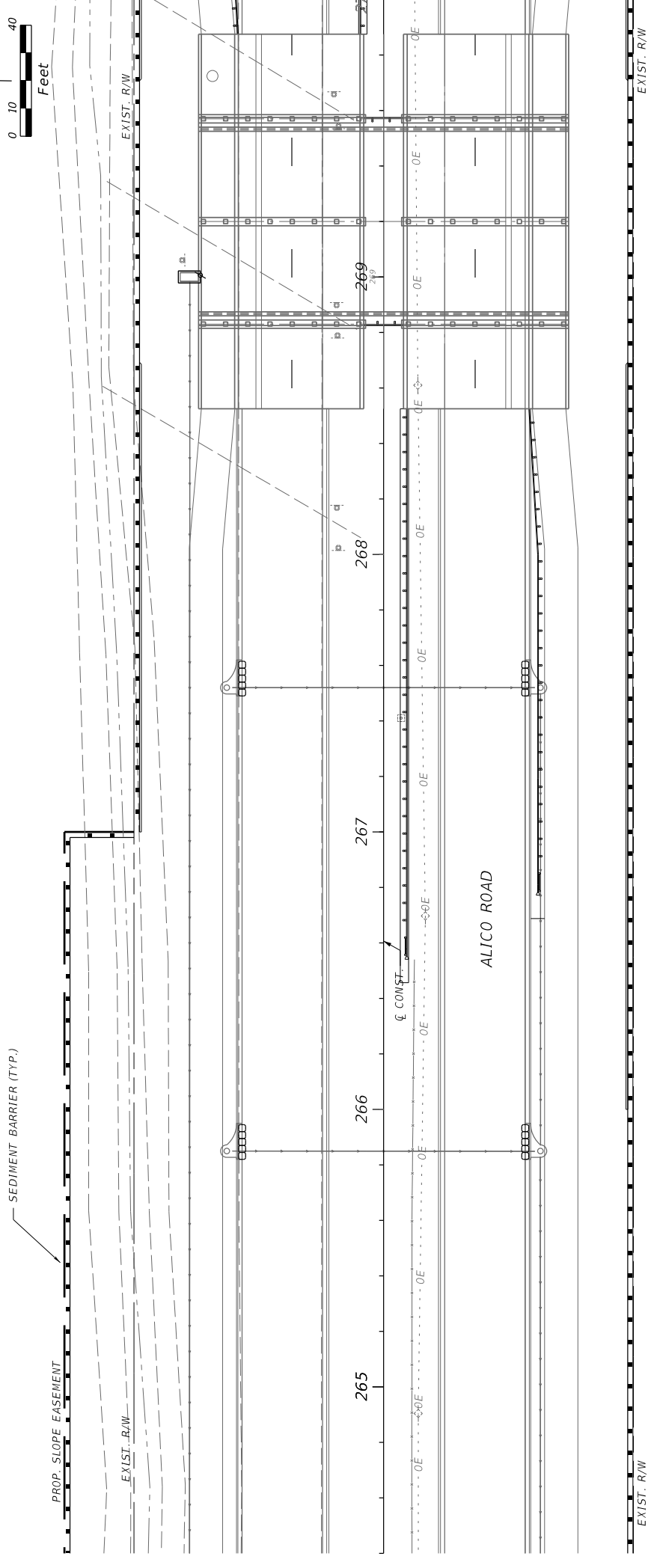
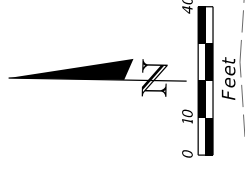
SEDIMENT BARRIER (TYP.)

PROP. SLOPE EASEMENT

EXIST. R/W



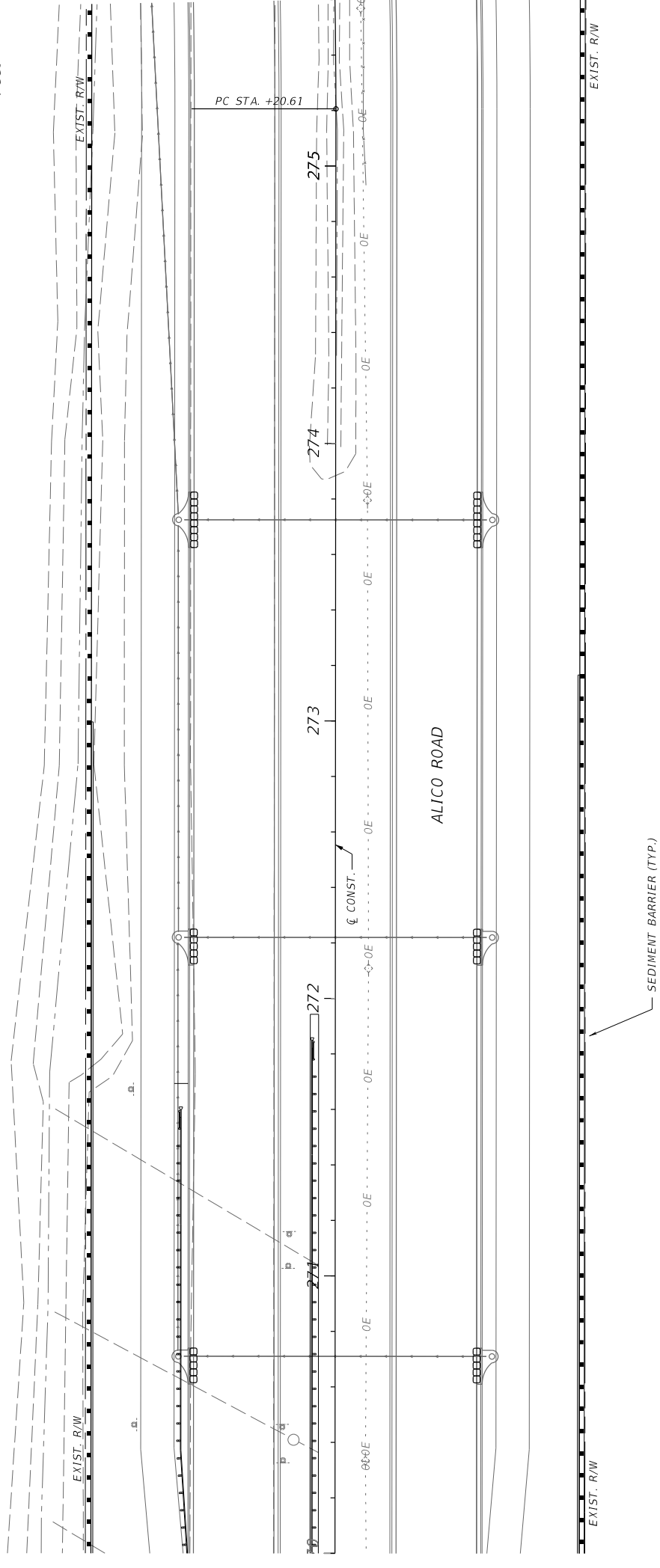
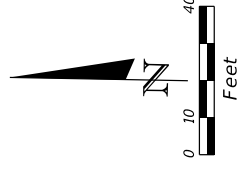
REVISIONS		ENGINEER OF RECORD		DEPARTMENT OF TRANSPORTATION		SHEET NO.
DATE	DESCRIPTION	DATE	DESCRIPTION	ROAD NO.	FINANCIAL PROJECT ID	
						163
		RYAN K. BELL, P.E. 60010 LICENSE NUMBER JOHNSON ENGINEERING INC. 2122 JOHNSON STREET FORT MYERS, FL 33901		LEE COUNTY COUNTY LEE		EROSION CONTROL



DATE		REVISIONS		DESCRIPTION	
DATE		DATE		DESCRIPTION	

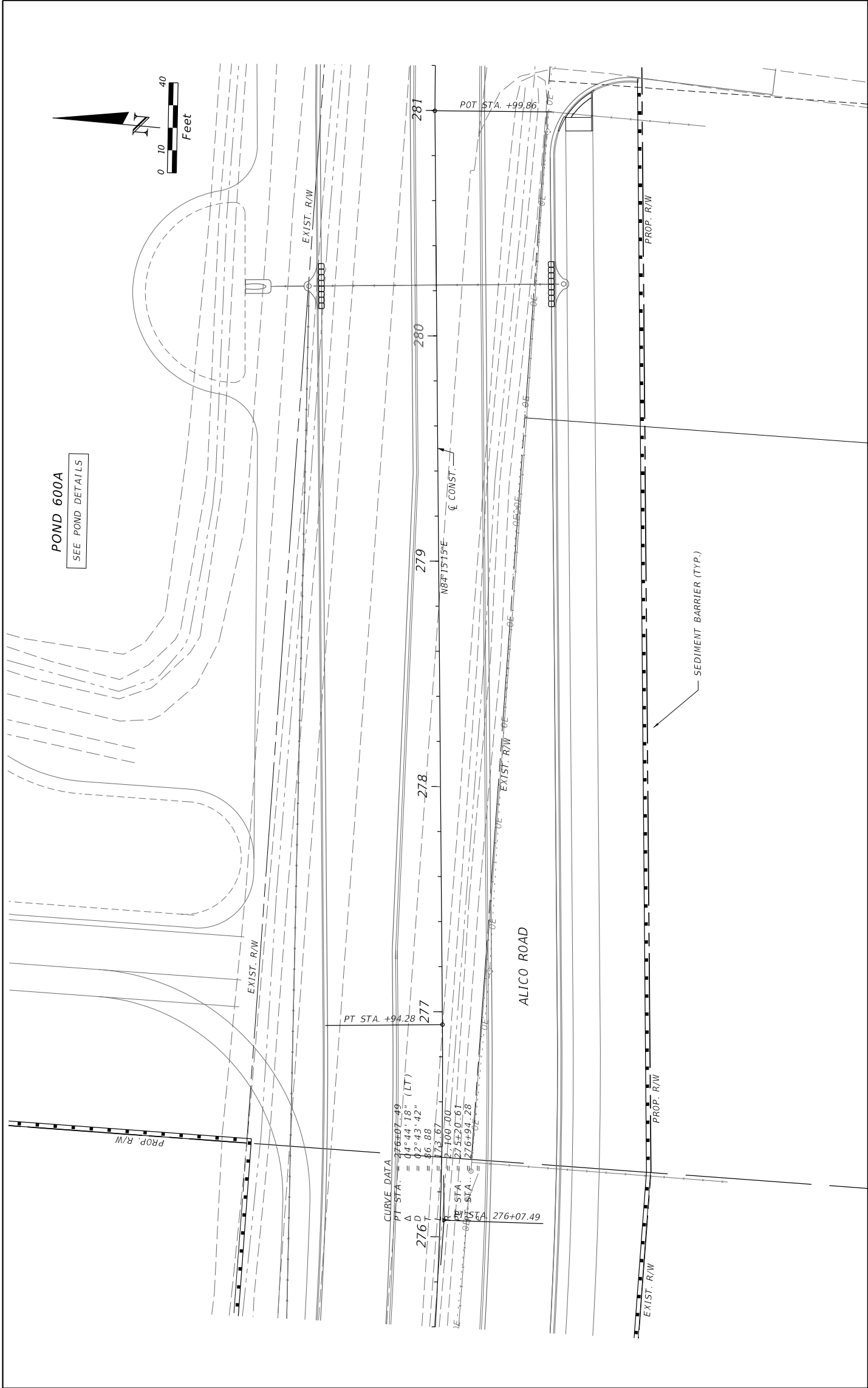
ENGINEER OF RECORD		LEE COUNTY	
RYAN K. BELL, P.E. 60010		DEPARTMENT OF TRANSPORTATION	
LORNESE HUMBERG		ROAD NO.	
JOHNSON ENGINEERING INC.		COUNTY	
2122 JOHNSON STREET		LEE	
FORT WALTERS, FL 33801		FINANCIAL PROJECT ID	

EROSION CONTROL	
SHEET NO.	164

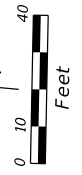


REVISIONS		ENGINEER OF RECORD		DEPARTMENT OF TRANSPORTATION		SHEET NO.
DATE	DESCRIPTION	DATE	DESCRIPTION	ROAD NO.	FINANCIAL PROJECT ID	
			RYAN K. BELL, P.E. 60010 LICENSE NUMBER JOHNSON ENGINEERING INC. 2122 JOHNSON STREET FORT MYERS, FL 33901	LEE COUNTY		165
				COUNTY		
				LEE		

EROSION CONTROL



POND 600A
SEE POND DETAILS

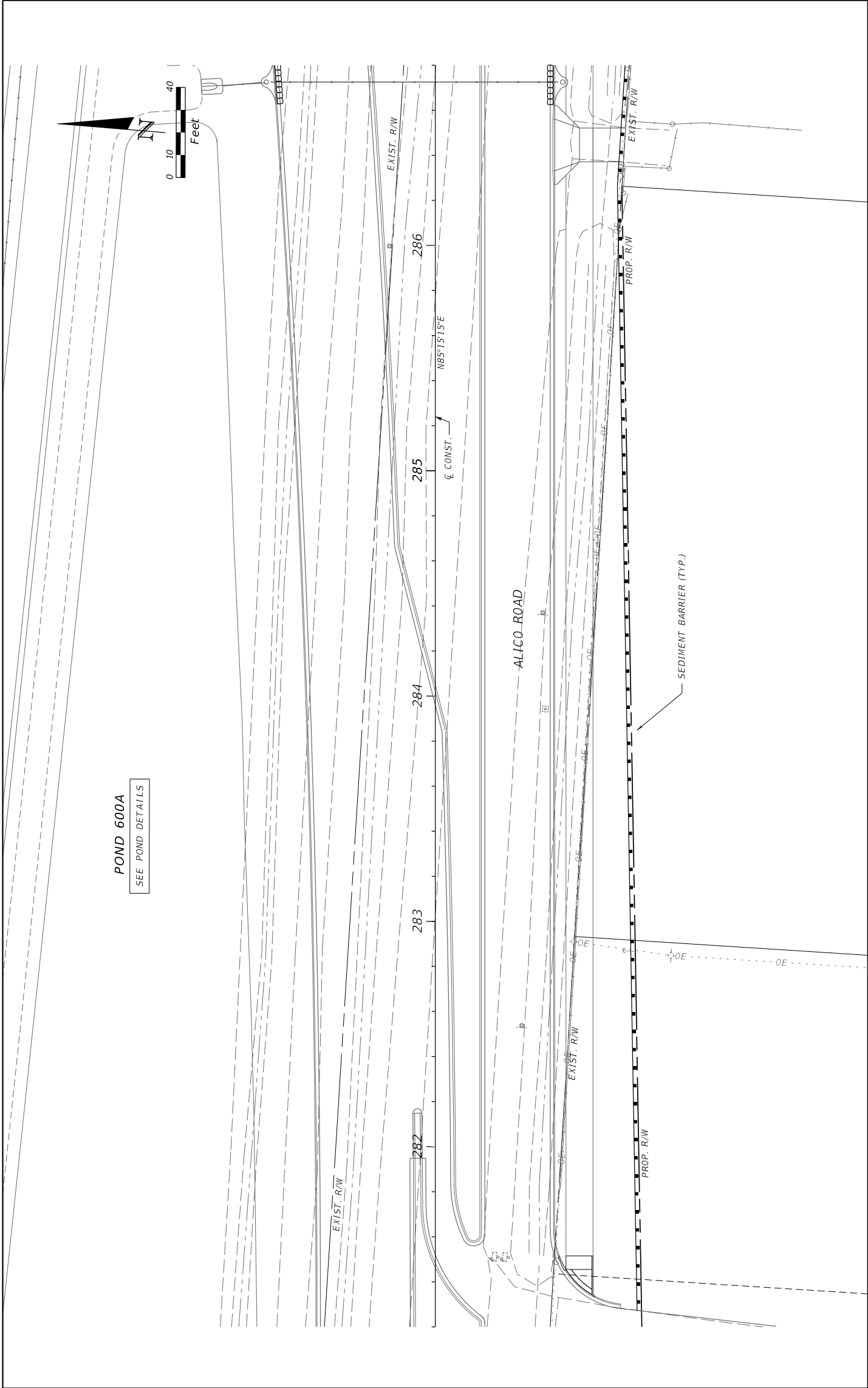


CURVE DATA
 PT STA. = 276+07.49
 Δ = 44°44'18" (LT)
 Δ = 2°43'42"
 276+07.49
 = 86.88
 = 173.67
 = 2,100.00
 PT STA. = 275+20.61
 PT STA. = 276+94.28
 PT STA. = 276+07.49

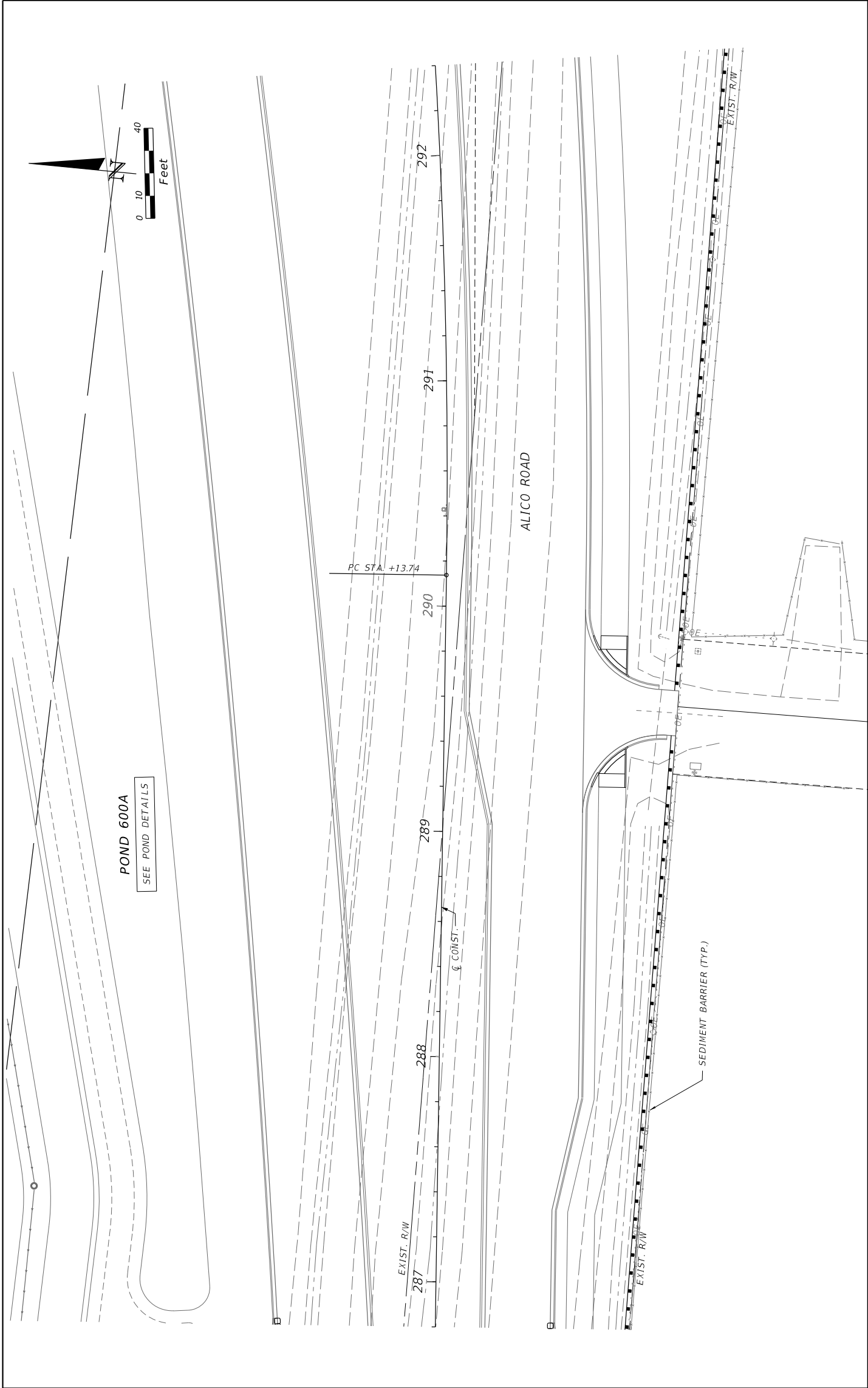
REVISIONS		DESCRIPTION		DATE	

ENGINEER OF RECORD		LEE COUNTY		DEPARTMENT OF TRANSPORTATION		SHEET NO.	
RYAN K. BELL, P.E. 60010 LICENSE NUMBER JOHNSON ENGINEERING INC. 2122 JOHNSON STREET FORT MYERS, FL 33901		COUNTY		FINANCIAL PROJECT ID		166	
		LEE					

EROSION CONTROL

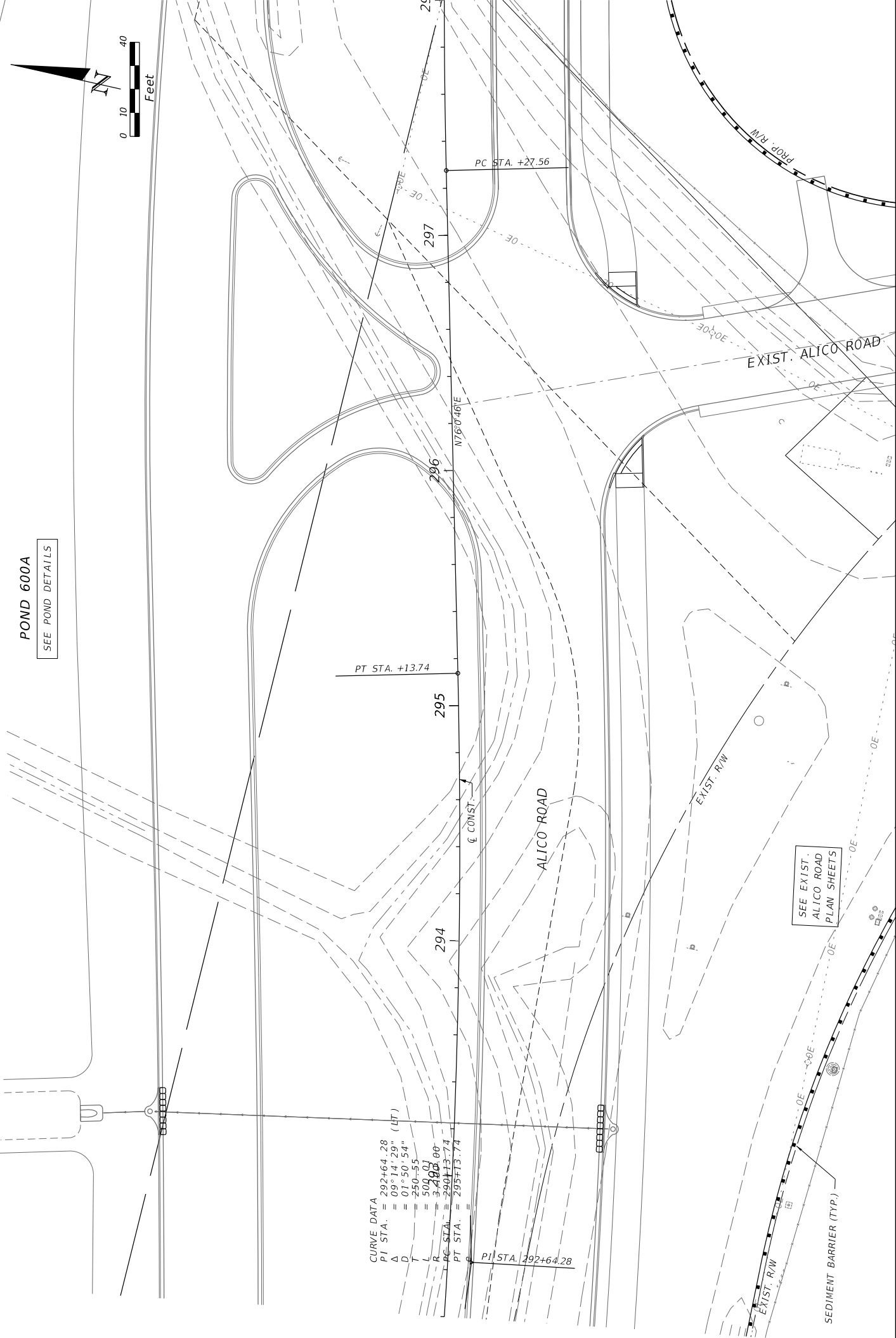


REVISIONS		DESCRIPTION	DATE	ENGINEER OF RECORD	DEPARTMENT OF TRANSPORTATION		SHEET NO.
DATE	DESCRIPTION				ROAD NO.	COUNTY	
				RYAN K. BELL, P.E. 60010 LICENSE NUMBER JOHNSON ENGINEERING INC. 2122 JOHNSON STREET FORT WALTERS, FL 33801	LEE		
				EROSION CONTROL			



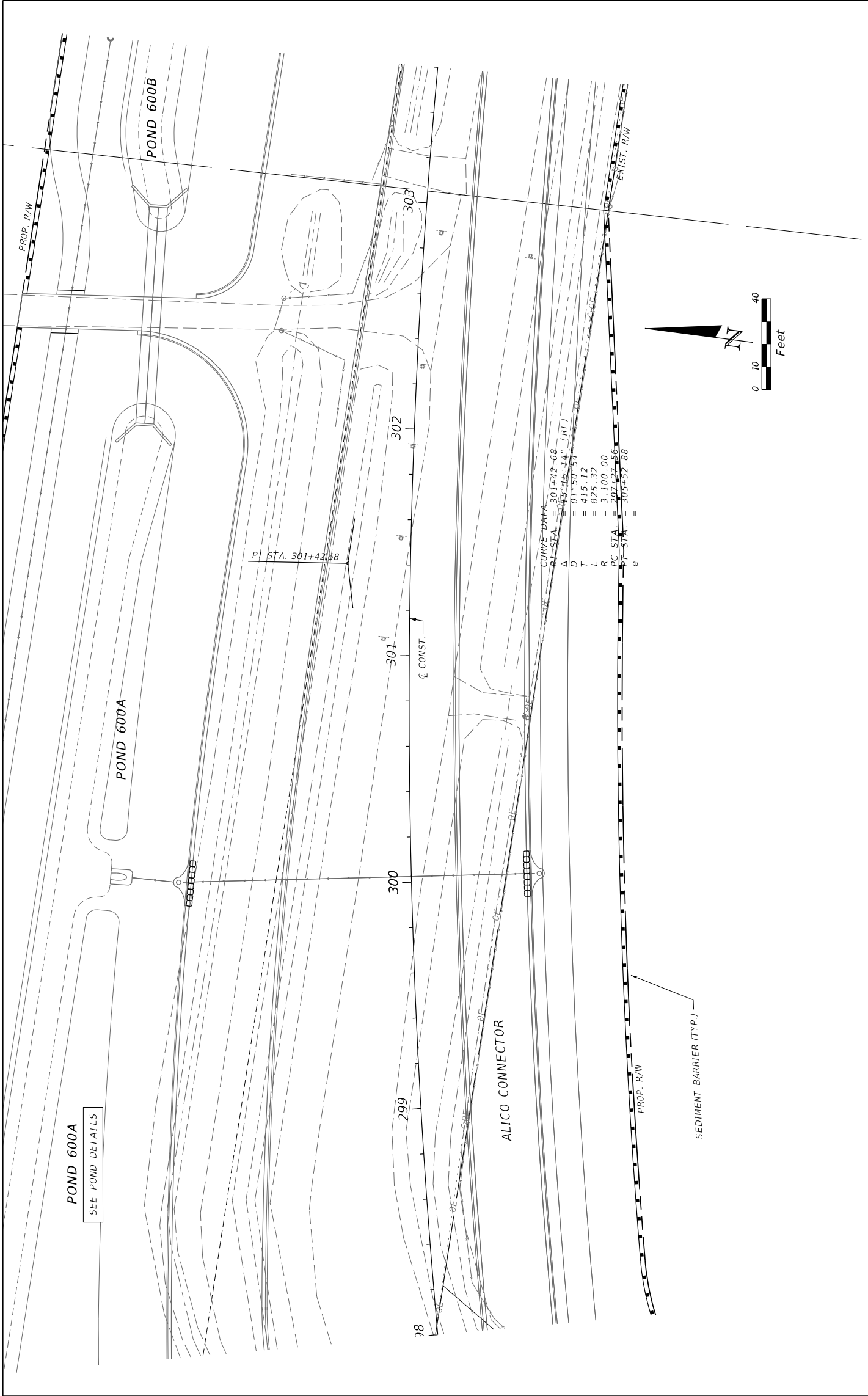
REVISIONS		ENGINEER OF RECORD		DEPARTMENT OF TRANSPORTATION		SHEET NO.
DATE	DESCRIPTION	DATE	DESCRIPTION	ROAD NO.	FINANCIAL PROJECT ID	
			RYAN K. BELL, P.E. 60010 LICENSE NUMBER 60010 JOHNSON ENGINEERING INC. 2122 JOHNSON STREET FORT WALTERS, FL 32001	LEE COUNTY		168
				COUNTY	LEE	

EROSION CONTROL

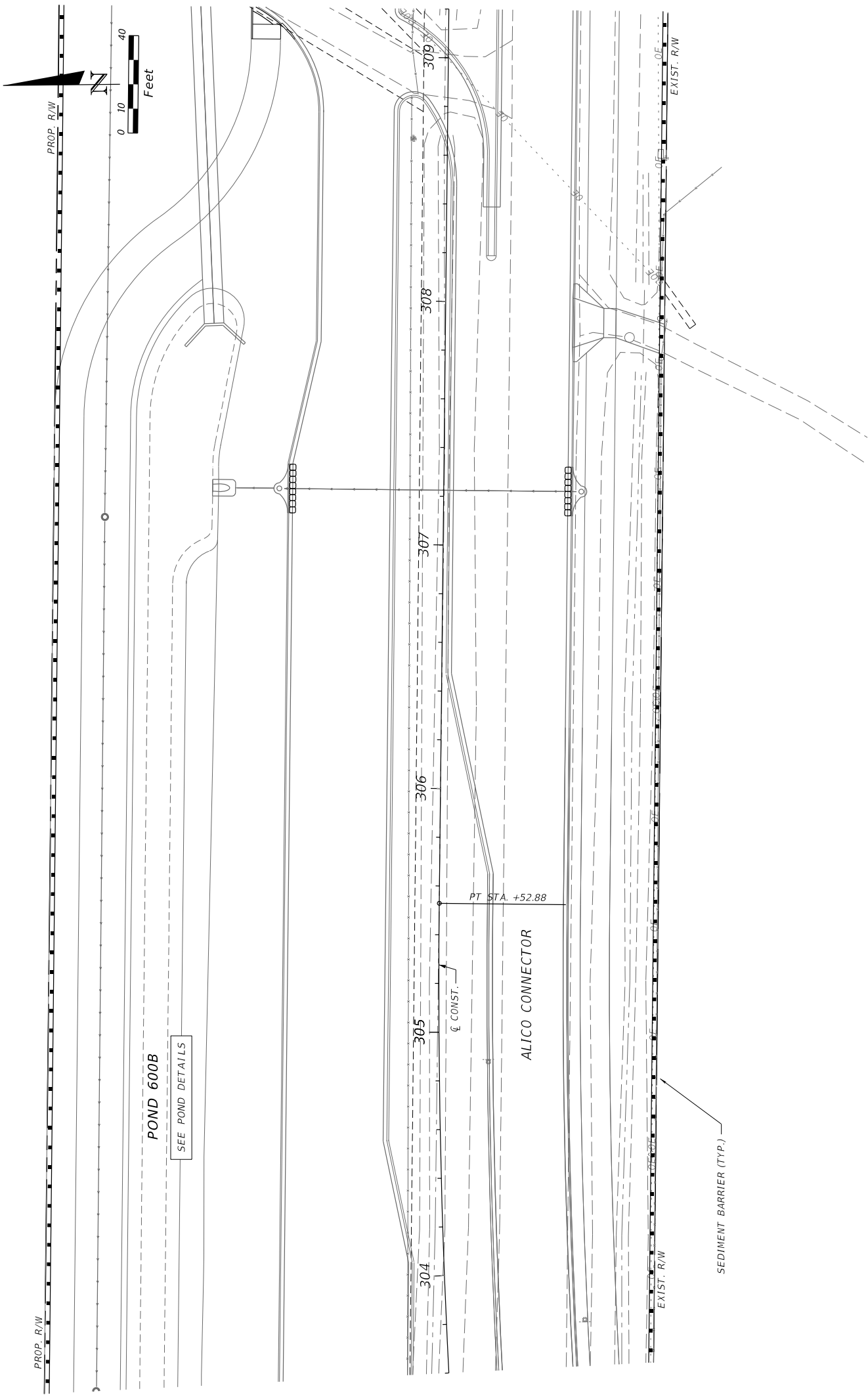


CURVE DATA
 PT STA. = 292+64.28
 Δ = 09°14'29" (LT)
 D = 01°50'54"
 T = 250-55
 L = 509.01
 R = 3-496.00
 PC STA. = 290+13.74
 PT STA. = 295+13.74

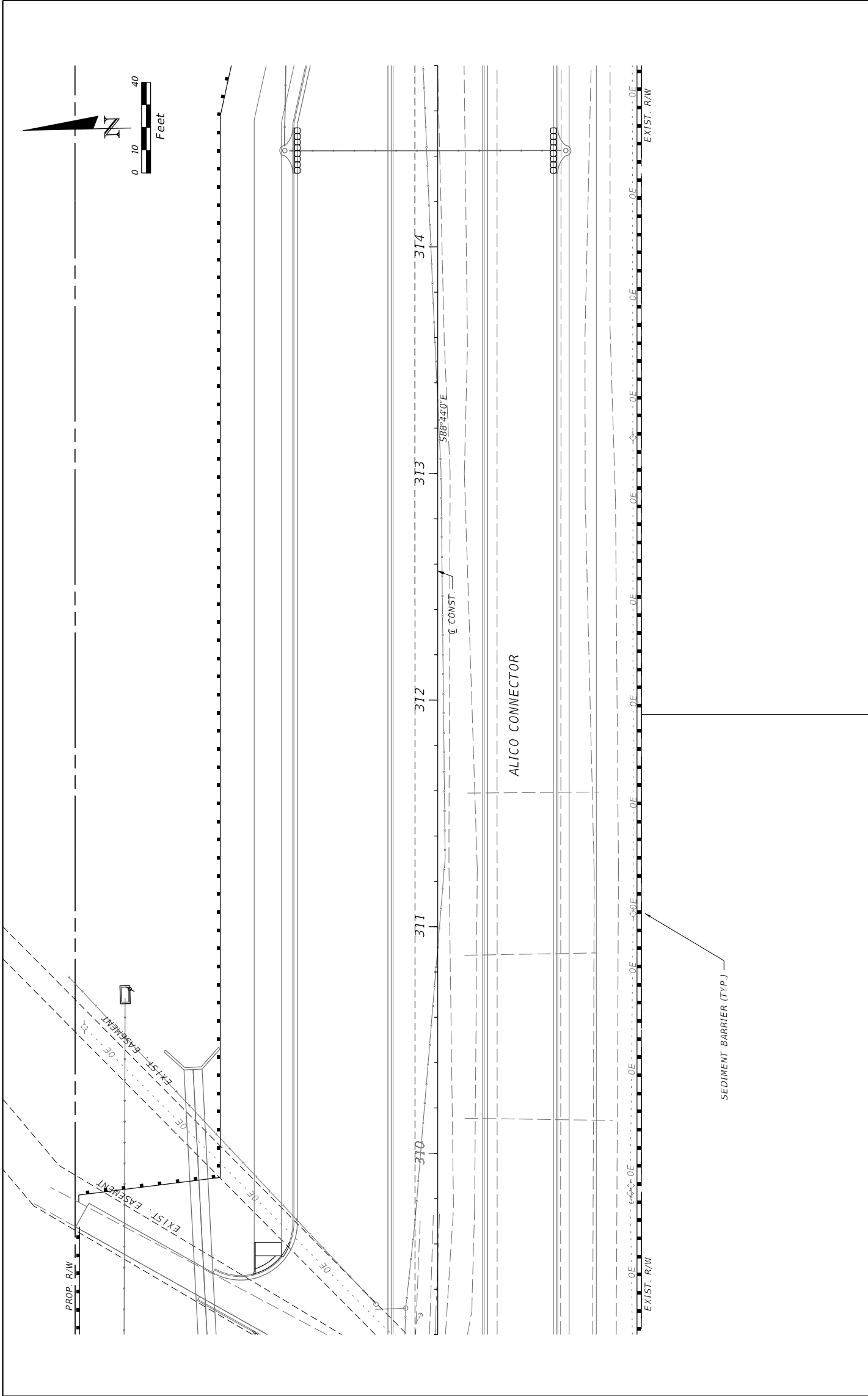
REVISIONS		ENGINEER OF RECORD		DEPARTMENT OF TRANSPORTATION		SHEET NO.	
DATE	DESCRIPTION	DATE	DESCRIPTION	ROAD NO.	COUNTY	FINANCIAL PROJECT ID	NO.
					LEE		169
		RYAN K. BELL, P.E. 60010 LICENSE NUMBER 60010 JOHNSON ENGINEERING INC. 2122 JOHNSON STREET FORT MYERS, FL 33901		LEE COUNTY COUNTY		EROSION CONTROL	



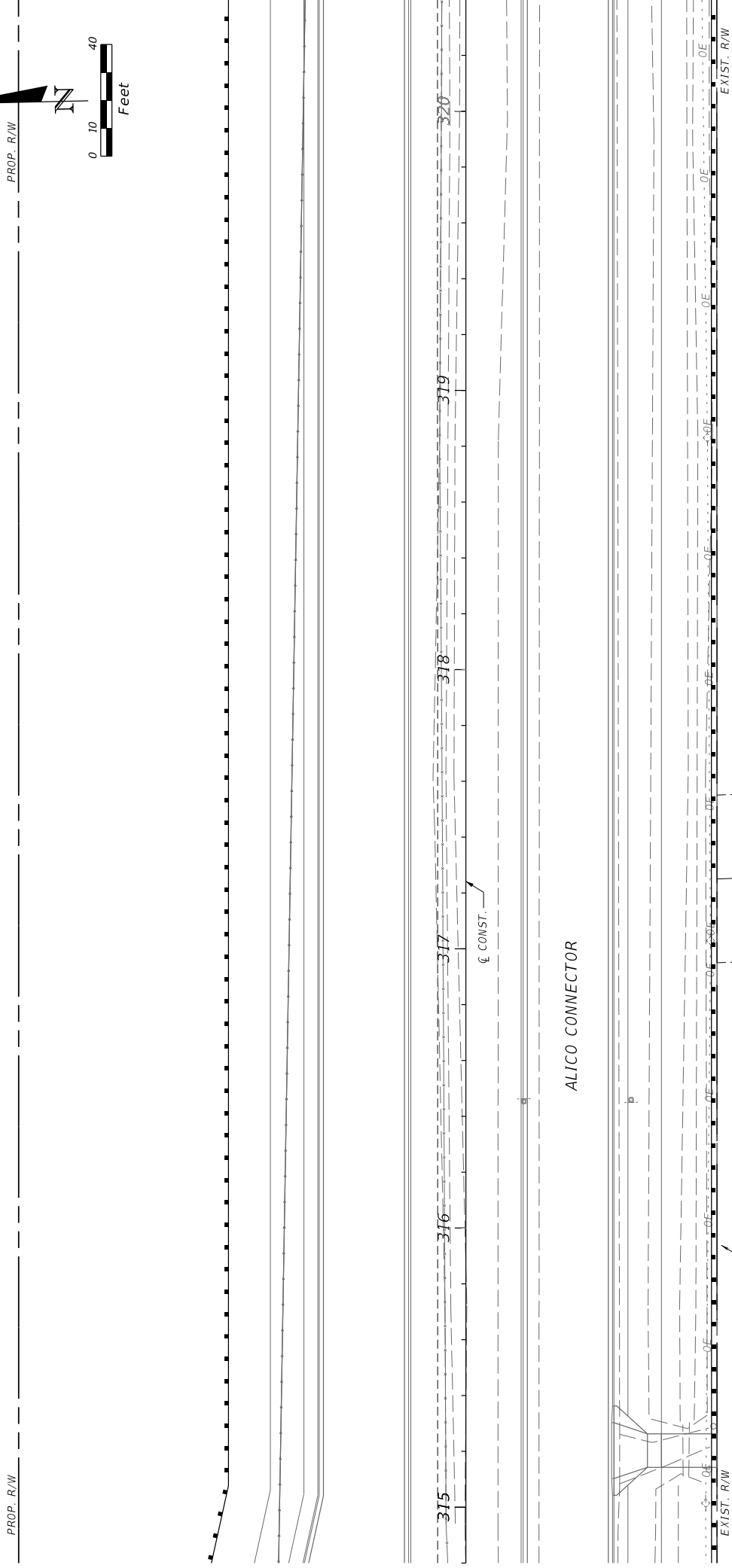
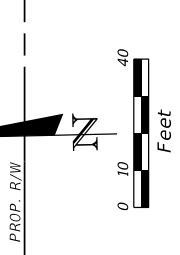
REVISIONS		DESCRIPTION	DATE	DESCRIPTION	ENGINEER OF RECORD	DEPARTMENT OF TRANSPORTATION		SHEET NO.
DATE	DESCRIPTION					ROAD NO.	COUNTY	
					RYAN K. BELL, P.E. 60010 LICENSE NUMBER JOHNSON ENGINEERING INC. 2122 JOHNSON STREET FORT MYERS, FL 33901	LEE	LEE	170
EROSION CONTROL								



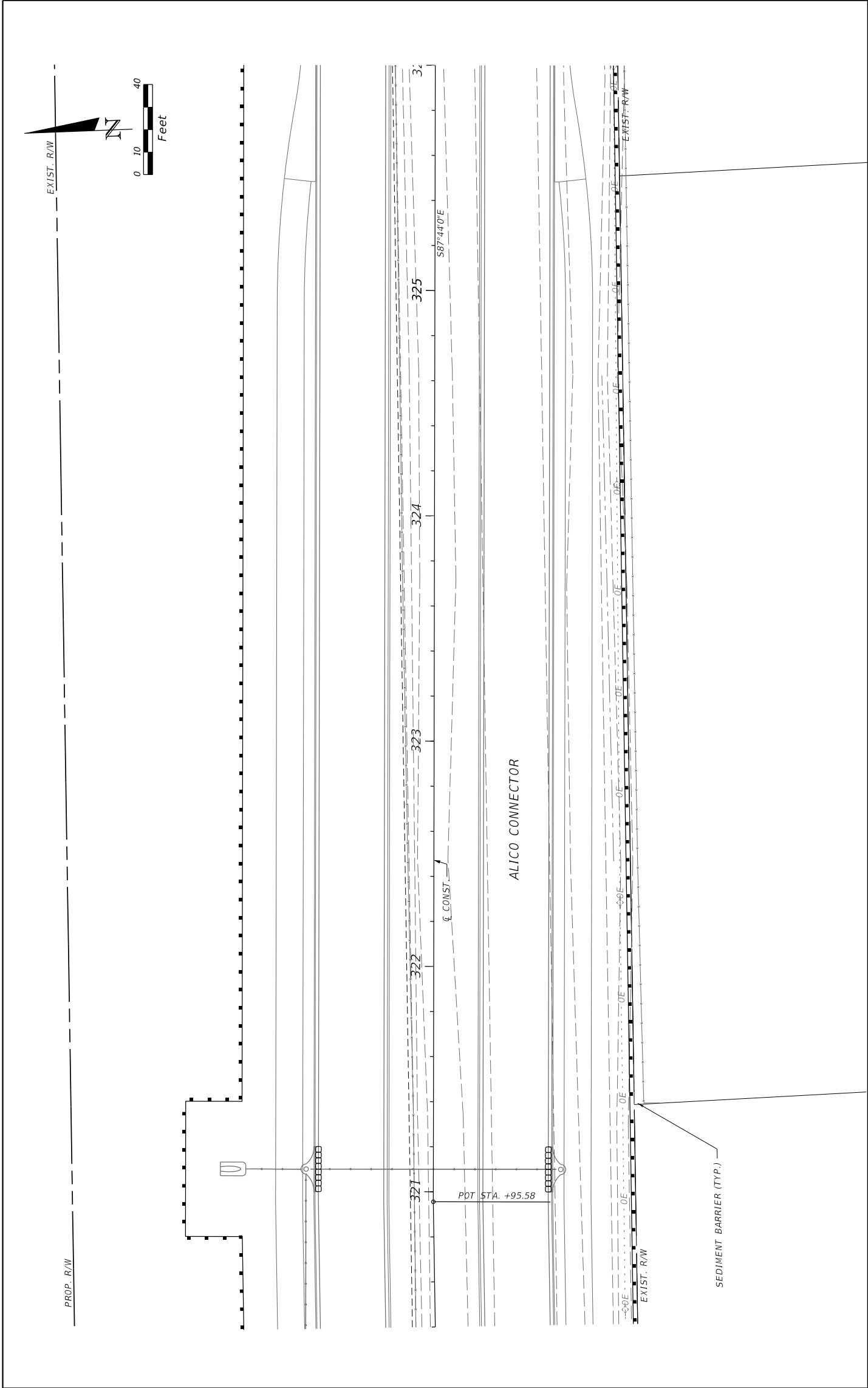
REVISIONS		ENGINEER OF RECORD		DEPARTMENT OF TRANSPORTATION		SHEET NO.	
DATE	DESCRIPTION	DATE	DESCRIPTION	ROAD NO.	COUNTY	FINANCIAL PROJECT ID	
			RYAN K. BELL, P.E. 60010 LICENSE NUMBER JOHNSON ENGINEERING INC. 2122 JOHNSON STREET FORT WALTERS, FL 32061		LEE		171
				LEE COUNTY			
				COUNTY			
				LEE			
EROSION CONTROL							



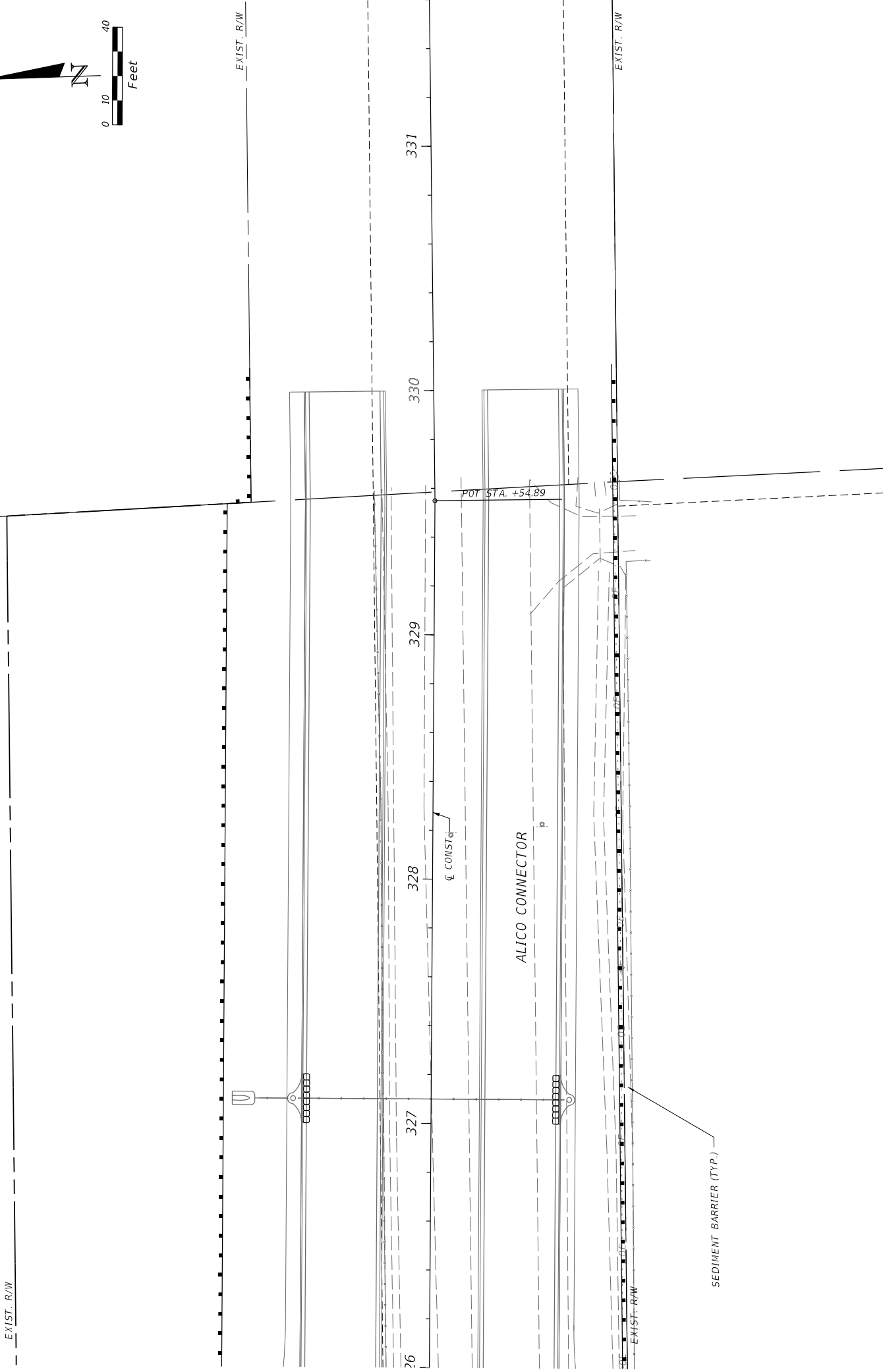
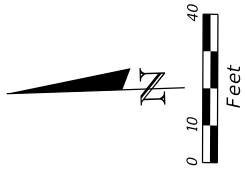
REVISIONS		ENGINEER OF RECORD		DEPARTMENT OF TRANSPORTATION		SHEET NO.
DATE	DESCRIPTION	DATE	DESCRIPTION	ROAD NO.	FINANCIAL PROJECT ID	
			RYAN K. BELL, P.E. 60010 LICENSE NUMBER JOHNSON ENGINEERING INC. 2122 JOHNSON STREET FORT WALTERS, FL 32061	LEE COUNTY		172
				COUNTY	LEE	
				EROSION CONTROL		



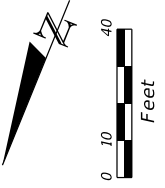
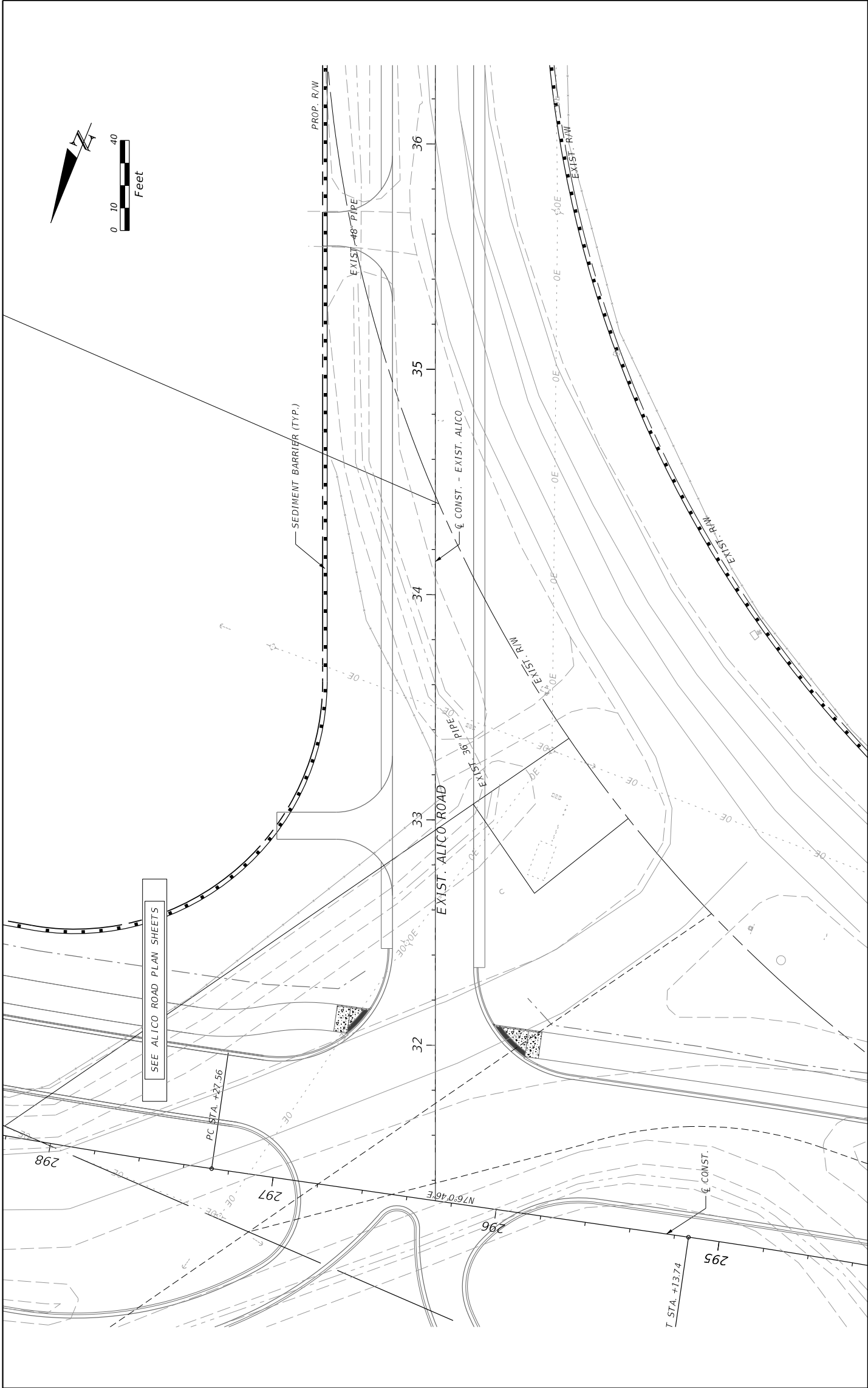
REVISIONS		ENGINEER OF RECORD		DEPARTMENT OF TRANSPORTATION		SHEET NO.
DATE	DESCRIPTION	DATE	DESCRIPTION	ROAD NO.	FINANCIAL PROJECT ID	
						173
		RYAN K. BELL, P.E. 60010 LICENSE NUMBER JOHNSON ENGINEERING INC. 2122 JOHNSON STREET FORT WALTERS, FL 32061		LEE COUNTY COUNTY LEE		EROSION CONTROL



REVISIONS		ENGINEER OF RECORD		DEPARTMENT OF TRANSPORTATION		SHEET NO.
DATE	DESCRIPTION	DATE	DESCRIPTION	ROAD NO.	FINANCIAL PROJECT ID	
						174
		RYAN K. BELL, P.E. 60010 LICENSE NUMBER JOHNSON ENGINEERING INC. 2122 JOHNSON STREET FORT MYERS, FL 33901		LEE COUNTY COUNTY LEE		EROSION CONTROL

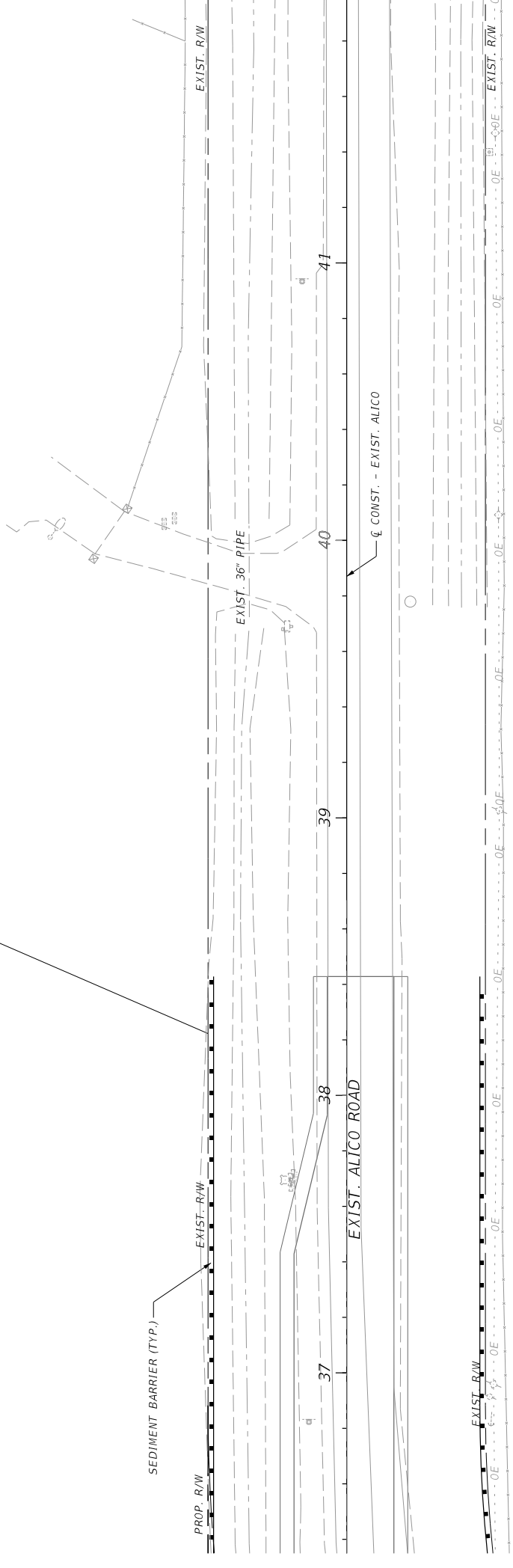
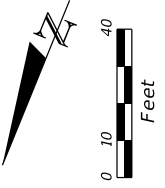


REVISIONS		ENGINEER OF RECORD		DEPARTMENT OF TRANSPORTATION		SHEET NO.
DATE	DESCRIPTION	DATE	DESCRIPTION	ROAD NO.	FINANCIAL PROJECT ID	
			RYAN K. BELL, P.E. 60010 LORENSE, RUMBLE & CO. JOHNSON ENGINEERING INC. 2122 JOHNSON STREET FORT MYERS, FL 33901			175
				LEE COUNTY		
				COUNTY		
				LEE		
EROSION CONTROL						



SEE ALICO ROAD PLAN SHEETS

REVISIONS		ENGINEER OF RECORD		DEPARTMENT OF TRANSPORTATION		SHEET NO.
DATE	DESCRIPTION	DATE	DESCRIPTION	ROAD NO.	FINANCIAL PROJECT ID	
						176
		RYAN K. BELL, P.E. 60010 LICENSE NUMBER 60010 JOHNSON ENGINEERING INC. 2122 JOHNSON STREET FORT MYERS, FL 33901		LEE COUNTY COUNTY LEE		EXISTING ALICO EROSION CONTROL



REVISIONS		ENGINEER OF RECORD		DEPARTMENT OF TRANSPORTATION		SHEET NO.
DATE	DESCRIPTION	DATE	DESCRIPTION	ROAD NO.	FINANCIAL PROJECT ID	
						177
		RYAN K. BELL, P.E. 60010 LICENSE NUMBER JOHNSON ENGINEERING INC. 2122 JOHNSON STREET FORT MYERS, FL 33901		LEE COUNTY COUNTY LEE		EXISTING ALICO EROSION CONTROL

GENERAL TTCP NOTES:

1. THE CONTRACTOR IS RESPONSIBLE FOR THE PREPARATION OF THE TEMPORARY TRAFFIC CONTROL PLAN (TTCP) THE COST OF WHICH SHALL BE INCLUDED IN PAY ITEM 102-1, MAINTENANCE OF TRAFFIC. THE TTCP SHALL BE PREPARED BY A LICENSED PROFESSIONAL ENGINEER WITH THE FDOT "ADVANCED WORK ZONE TRAFFIC CONTROL CERTIFICATION". THIS PLAN SHALL BE SUBMITTED TO THE ENGINEER FOR APPROVAL.
2. PREPARATION OF THE TEMPORARY TRAFFIC CONTROL PLANS SHALL BE IN ACCORDANCE WITH THE MANUAL ON UNIFORM TRAFFIC CONTROL DEVICES (MUTCD), LATEST EDITION; FDOT DESIGN MANUAL; FDOT, FY 2022-23 STANDARD PLANS FOR ROAD AND BRIDGE CONSTRUCTION AND LEE COUNTY ADMINISTRATIVE CODE AC-11-12.
3. TEMPORARY TRAFFIC CONTROL SIGNS FOR THE PROJECT SHALL BE ERRECTED PRIOR TO ANY CONSTRUCTION ACTIVITY. THESE SIGNS SHALL BE MAINTAINED AND/OR ADJUSTED DURING PERIODS OF CONSTRUCTION FROM PHASE TO PHASE AS APPLICABLE. PLACEMENT OF ALL CONSTRUCTION SIGNS SHALL BE FIELD LOCATED IN SUCH A WAY THAT WILL AVOID OBSTRUCTION OF OR CONFLICT WITH EXISTING SIGNS.
4. WHERE "FLAGGER" AND "WORKER" SIGNS ARE USED, THE SIGNS SHALL BE COVERED OR REMOVED DURING PERIODS WHEN CONSTRUCTION OPERATIONS ARE SUSPENDED SUCH AS NIGHTS, WEEKENDS OR HOLIDAYS.
5. LANE CLOSURES SHALL BE SCHEDULED AS FOLLOWS: THE LOCATION AND DURATION OF EACH LANE CLOSURE SHALL BE APPROVED BY THE ENGINEER PRIOR TO THE IMPLEMENTATION OF THE CLOSURE AND SHALL MEET LEE COUNTY ADMINISTRATIVE CODE AC-11-12.
6. THE POSTED REGULAR SPEED LIMIT OF 55 MPH FOR ALICO ROAD SHALL BE MAINTAINED DURING TTCP PHASE I OF CONSTRUCTION. IN PHASE II WHEN TRAFFIC IS SHIFTED TO THE NEWLY CONSTRUCTED ROADWAY, THE POSTED SPEED SHALL BE CHANGED TO 45 MPH AND THAT POSTED SPEED SHALL BE MAINTAINED THROUGH THE REMAINDER OF TTCP PHASING.
7. THE CONTRACTOR SHALL NOT EXCAVATE ANY AREAS THAT CANNOT BE SAFELY REOPENED TO TRAFFIC WITHIN THE SAME WORK PERIOD.
8. CONFLICTING EXISTING PAVEMENT MARKINGS SHALL BE REMOVED BY WATER BLASTING OR MILLING. ALL EXISTING PAVEMENT MARKINGS THAT ARE ALTERED SHALL BE REPLACED UPON COMPLETION OF THE PROJECT.
9. ANY EXISTING SIGN TO REMAIN THAT IS DISTURBED DURING THE CONSTRUCTION SHALL BE RESET TO CURRENT STANDARDS FOR HEIGHT, OFFSET, AND METHOD OF INSTALLATION.
10. LANE CLOSURES SHALL BE RESTRICTED TO ACTIVE WORK ZONES.
11. LOCAL TRAFFIC INCLUDING PRIVATE DRIVEWAYS SHALL BE MAINTAINED DURING THE CONSTRUCTION.
12. A PCMS SHALL BE PLACED AT EACH END OF THE PROJECT FOR A PERIOD OF 7 DAYS PRIOR TO THE FIRST DAY OF LANE CLOSURES. THE LOCATION SHALL BE DETERMINED BY THE CONTRACTOR AND APPROVED BY THE ENGINEER. THE MESSAGE SHOULD READ, UNLESS OTHERWISE DIRECTED BY THE ENGINEER:
 MESSAGE 1: LANE CLOSURE
 MESSAGE 2: DATE TO DATE

 ONE DAY PRIOR TO THE LANE CLOSURE THE MESSAGE FOR THE PCMS SHOULD READ, UNLESS OTHERWISE DIRECTED BY THE ENGINEER:

 MESSAGE 1: LANE CLOSURE
 MESSAGE 2: TIME TO TIME

REVISIONS		ENGINEER OF RECORD
DATE	DESCRIPTION	
		ADAM R. AGUILA, P.E. P.E. LICENSE NUMBER 76008 AIM ENGINEERING & SURVEYING, INC. 201 E. KENNEDY BLVD, STE 1800 TAMPA, FL 33602

LEE COUNTY DEPARTMENT OF TRANSPORTATION	
ROAD NO.	COUNTY
	LEE
FINANCIAL PROJECT ID	

**TEMPORARY TRAFFIC CONTROL
GENERAL NOTES**

SHEET NO.

ALICO ROAD TTCP PHASING NOTES (STA. 188+80 TO STA. 276+40)

(FOR CONSTRUCTION PHASE I - ALICO ROAD WIDENING)

PHASE I - CONSTRUCT RIGHT SIDE

1. INSTALL ADVANCE WARNING SIGNS UTILIZING STANDARD PLANS INDEX NOS. 102-600, 102-601, 102-602, 102-603, AND 102-604 AS APPROPRIATE.
2. CONSTRUCT PERMANENT PAVEMENT, PARTIAL MEDIAN, DRAINAGE STRUCTURES, PIPES, AND PATHWAY ON RIGHT SIDE.

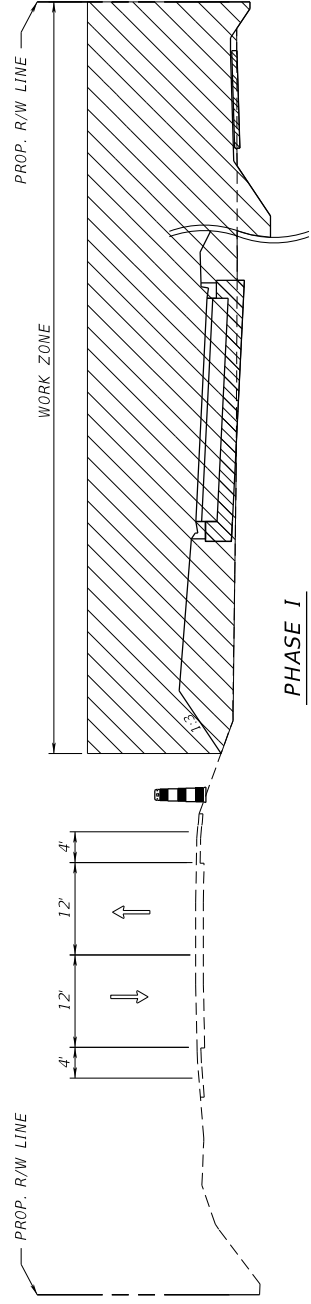
PHASE II - SHIFT TRAFFIC TO RIGHT SIDE AND CONSTRUCT LEFT SIDE

1. MAINTAIN ADVANCE WARNING SIGNS UTILIZING STANDARD PLANS INDEX NOS. 102-600, 102-601, 102-602, 102-603, AND 102-604 AS APPROPRIATE.
2. SHIFT TWO-WAY, TWO-LANE TRAFFIC TO NEW CONSTRUCTION ON RIGHT SIDE AS SHOWN. MAINTAIN BIKE/PEDESTRIAN TRAFFIC ON PATHWAY CONSTRUCTED IN TTCP PHASE I.

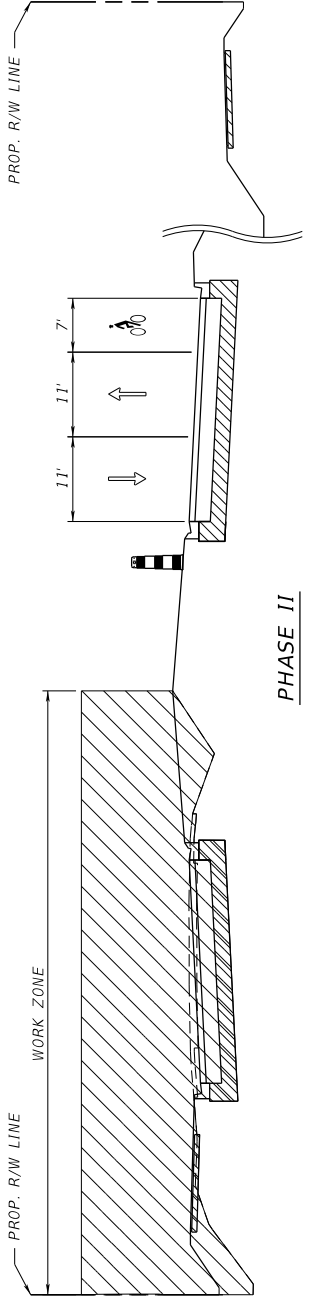
3. CONSTRUCT PERMANENT PAVEMENT, REMAINDER OF MEDIAN, DRAINAGE STRUCTURES, PIPES, AND PATHWAY ON LEFT SIDE.
4. CONSTRUCT INTERSECTIONS, SHIFTING TRAFFIC AS NEEDED FOR HALF AND HALF CONSTRUCTION. PROVIDE TEMPORARY SIGNALIZATION AND ADJUST AS NEEDED TO ACCOUNT FOR CHANGES IN TYPICAL SECTION.

PHASE III - PLACE FINAL FRICTION COURSE AND PAVEMENT MARKINGS

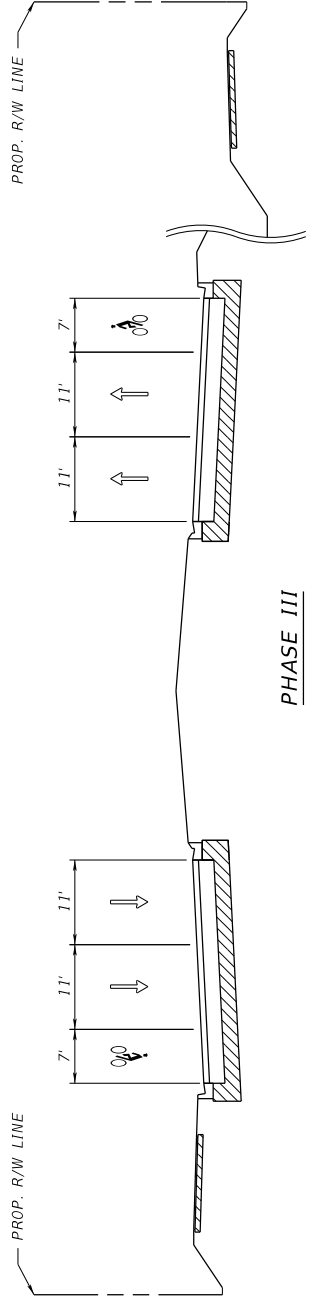
1. REMOVE CONFLICTING MARKINGS AND SIGNS IN ACCORDANCE WITH STANDARD PLANS INDEX NOS. 102-600 AND 102-613.
2. APPLY FINAL FRICTION COURSE TO ROADWAY UTILIZING STANDARD PLANS INDEX 102-603 WHILE MAINTAINING AT LEAST ONE LANE OF TRAFFIC IN EACH DIRECTION.
3. APPLY FINAL PAVEMENT MARKINGS & SIGNAGE UTILIZING STANDARD PLANS INDEX NOS. 102-600 AND 102-607.



PHASE I



PHASE II



PHASE III

LEGEND

- WORK ZONE
- CHANNELIZING DEVICE

THE OFFICIAL RECORD OF THIS SHEET IS THE ELECTRONIC FILE DIGITALLY SIGNED AND SEALED UNDER RULE 61G15-23.004, F.A.C.

REVISIONS		ENGINEER OF RECORD		LEE COUNTY DEPARTMENT OF TRANSPORTATION		TEMPORARY TRAFFIC CONTROL PLAN (1)		SHEET NO.
DATE	DESCRIPTION	DATE	DESCRIPTION	ROAD NO.	COUNTY	FINANCIAL PROJECT ID		
					LEE			
		ADAM R. AGUILA, P.E. P.E. LICENSE NUMBER 76008 AIM ENGINEERING & SURVEYING, INC. 201 E. KENNEDY BLVD, STE 1800 TAMPA, FL 33602						
		6/24/2022 12:38:15 PM Default						R:\Projects\Lee_AlicoRoad\Connector\CN21008\BAG\Roadway\TCTYRD1.DGN

ALICO ROAD TTCP PHASING NOTES (STA. 276+40 TO STA. 330+00)

(FOR CONSTRUCTION PHASE I - ALICO ROAD WIDENING)

PHASE I - CONSTRUCT LEFT SIDE

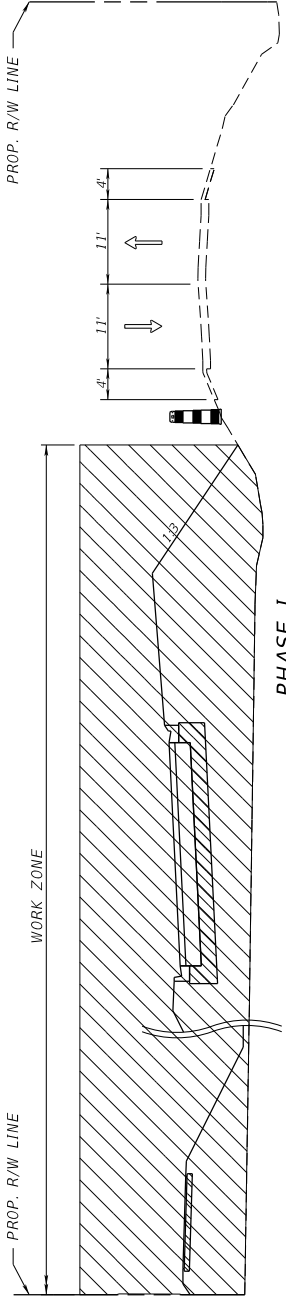
1. INSTALL ADVANCE WARNING SIGNS UTILIZING STANDARD PLANS INDEX NOS. 102-600, 102-601, 102-602, 102-603, AND 102-604 AS APPROPRIATE.
2. CONSTRUCT PERMANENT PAVEMENT, PARTIAL MEDIAN, DRAINAGE STRUCTURES, PIPES, AND PATHWAY ON LEFT SIDE.

PHASE II - SHIFT WESTBOUND TRAFFIC TO LEFT SIDE AND CONSTRUCT RIGHT SIDE

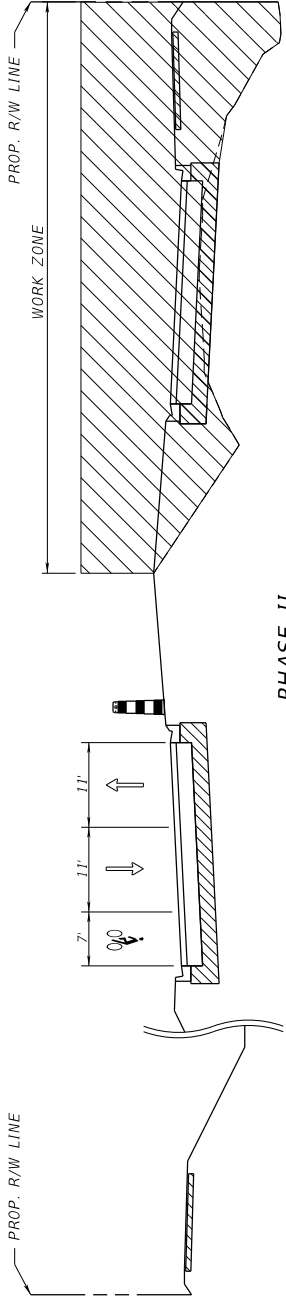
1. MAINTAIN ADVANCE WARNING SIGNS UTILIZING STANDARD PLANS INDEX NOS. 102-600, 102-601, 102-602, 102-603, AND 102-604 AS APPROPRIATE.
2. SHIFT TWO-WAY, TWO-LANE TRAFFIC TO NEW CONSTRUCTION ON LEFT SIDE AS SHOWN. MAINTAIN BIKE/PEDESTRIAN TRAFFIC ON PATHWAY CONSTRUCTED IN TTCP PHASE I.
3. CONSTRUCT PERMANENT PAVEMENT, REMAINDER OF MEDIAN, DRAINAGE STRUCTURES, PIPES, AND PATHWAY ON RIGHT SIDE.
4. CONSTRUCT INTERSECTIONS, SHIFTING TRAFFIC AS NEEDED FOR HALF AND HALF CONSTRUCTION. PROVIDE TEMPORARY SIGNALIZATION AND ADJUST AS NEEDED TO ACCOUNT FOR CHANGES IN TYPICAL SECTION.

PHASE III - PLACE FINAL FRICTION COURSE AND PAVEMENT MARKINGS

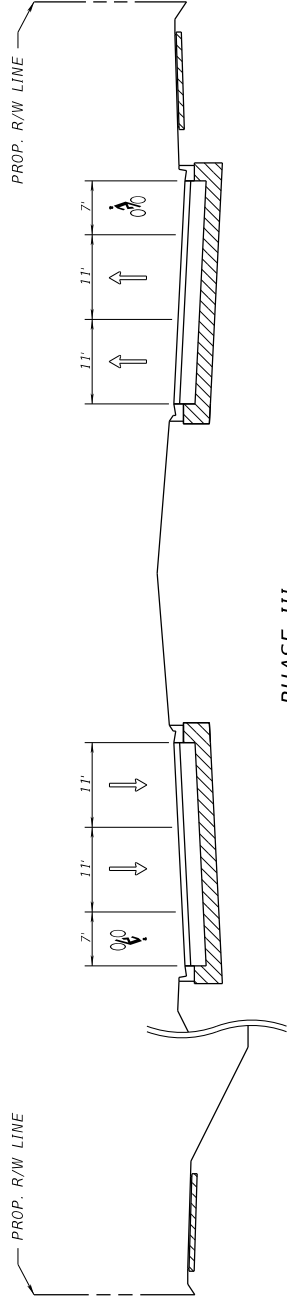
1. REMOVE CONFLICTING MARKINGS AND SIGNS IN ACCORDANCE WITH STANDARD PLANS INDEX NOS. 102-600 AND 102-613.
2. APPLY FINAL FRICTION COURSE TO ROADWAY UTILIZING STANDARD PLANS INDEX 102-603 WHILE MAINTAINING AT LEAST ONE LANE OF TRAFFIC IN EACH DIRECTION.
3. APPLY FINAL PAVEMENT MARKINGS & SIGNAGE UTILIZING STANDARD PLANS INDEX NOS. 102-600 AND 102-607.



PHASE I



PHASE II



PHASE III

LEGEND



WORK_ZONE



CHANNELIZING_DEVICE

REVISIONS		ENGINEER OF RECORD		LEE COUNTY DEPARTMENT OF TRANSPORTATION		TEMPORARY TRAFFIC CONTROL PLAN (2)		SHEET NO.
DATE	DESCRIPTION	DATE	DESCRIPTION	ROAD NO.	FINANCIAL PROJECT ID			
			ADAM R. AGUILA, P.E. P.E. LICENSE NUMBER 76008 AIM ENGINEERING & SURVEYING, INC. 201 E. KENNEDY BLVD, STE 1800 TAMPA, FL 33602					
				COUNTY				
				LEE				