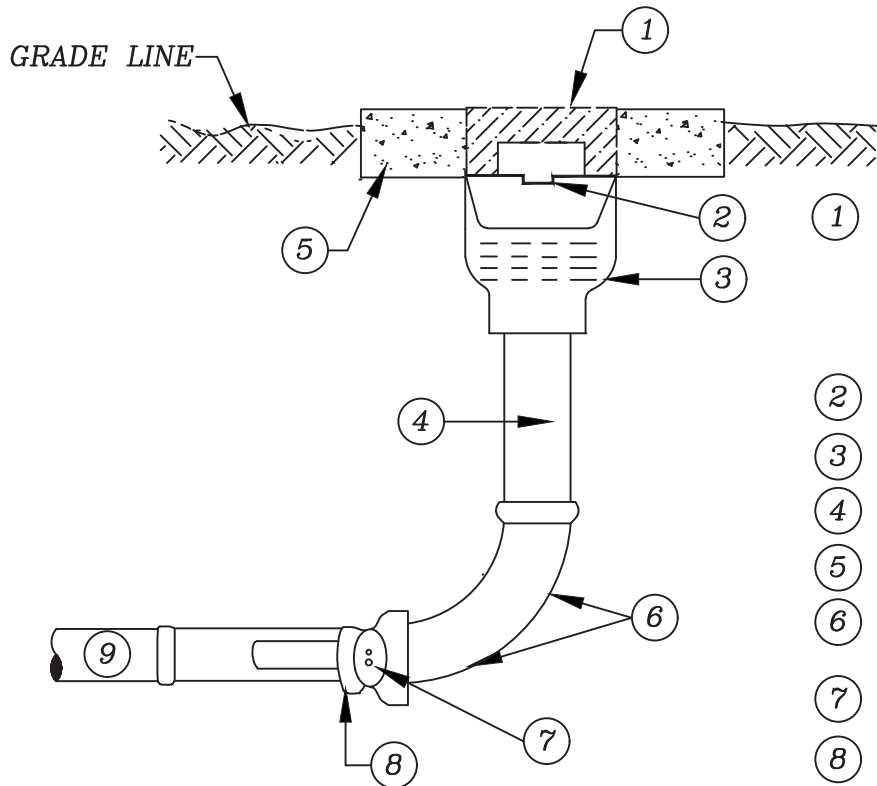


STANDARD DETAIL NO. 6.40

LEE COUNTY UTILITIES

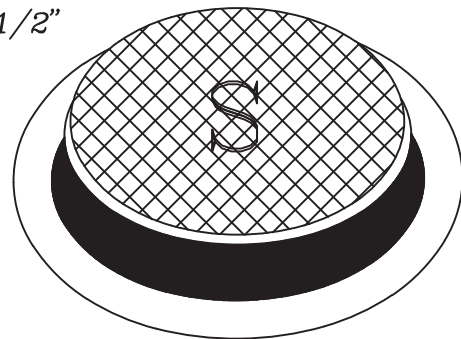
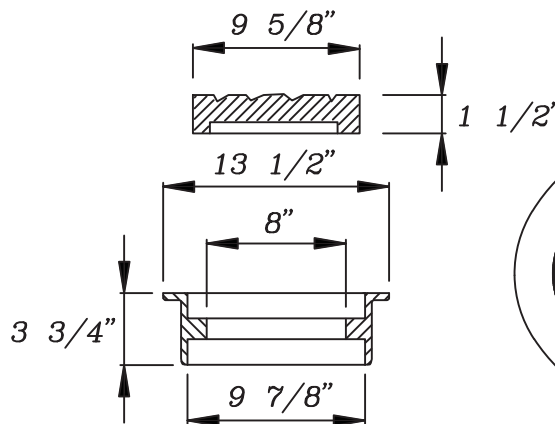
6" SEWER CLEAN-OUT DETAIL

N.T.S.



- ① IN ALL CASES USE TRAFFIC BEARING HANDHOLE RING & COVER OR EQUAL ADJUSTED TO FINAL GRADE WITH CLEANOUT RECESSER
- ② 6" THREADED CAP
- ③ 6" PVC FEMALE ADAPTER
- ④ 6" PVC RISER
- ⑤ CONCRETE COLLAR 24"x24"x4"
- ⑥ 6" BELL & SPIGOT 90° ELBOW SERVICE CONNECTION
- ⑦ W/WATERTIGHT PLUG
- ⑧ THE CONNECTION MUST BE MADE TO THE 6"x6"x4"x4" DOUBLE WYE
- ⑨ 6" PVC SEWER PIPE

REVERSIBLE HANDHOLE RING AND COVER



COVERS ARE MARKED WITH "S"

COVER TYPE	LOAD RATING	COVER WEIGHT	TOTAL WEIGHT
FE	HEAVY DUTY	20	45