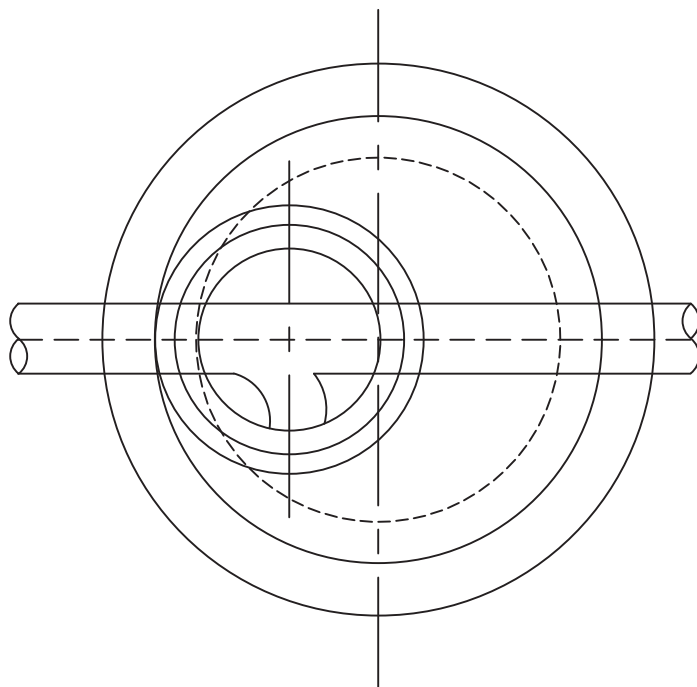


# STANDARD DETAIL NO. 6.34

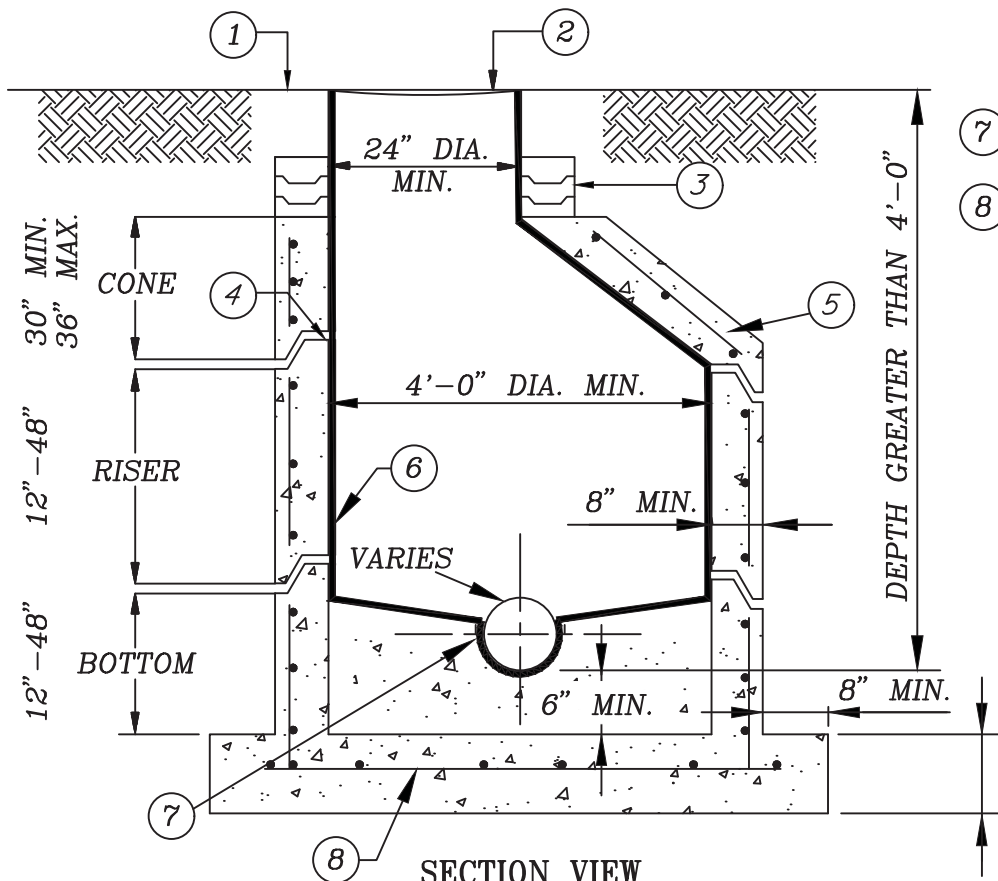
## LEE COUNTY UTILITIES

### PRECAST MANHOLE-ECCENTRIC

N.T.S.



TOP PLAN VIEW



SECTION VIEW

- ① FINISHED GRADE
- ② MANHOLE RING & COVER  
SEE STANDARD DETAIL AND  
APPROVED MATERIAL LIST.
- ③ 4" MIN., 12" MAX.  
PRECAST CONCRETE  
ADJUSTING RINGS
- ④ JOINTS SHALL BE SEALED  
ON INTERIOR & EXTERIOR  
WITH A FLEXIBLE  
PREFORMED BITUMASTIC  
JOINT MATERIAL, (SEE AS  
APPROVED MATERIAL LIST).
- ⑤ REINFORCED PRECAST  
CONCRETE CLASS "A"  
TYPE II 4,000 PSI
- ⑥ INTERIOR COATING/LINER  
(SEE APPROVED MATERIAL  
LIST) SYSTEM TO COVER  
ENTIRE BENCH AND INVERT  
CHANNEL
- ⑦ BUILD BENCH TO SPRING  
LINE OR ABOVE
- ⑧ #5 BARS @ 12" O.C. E.W.  
TYPICAL

8" IF 13' OR LESS DEEP  
12" IF GREATER THAN  
13' DEEP