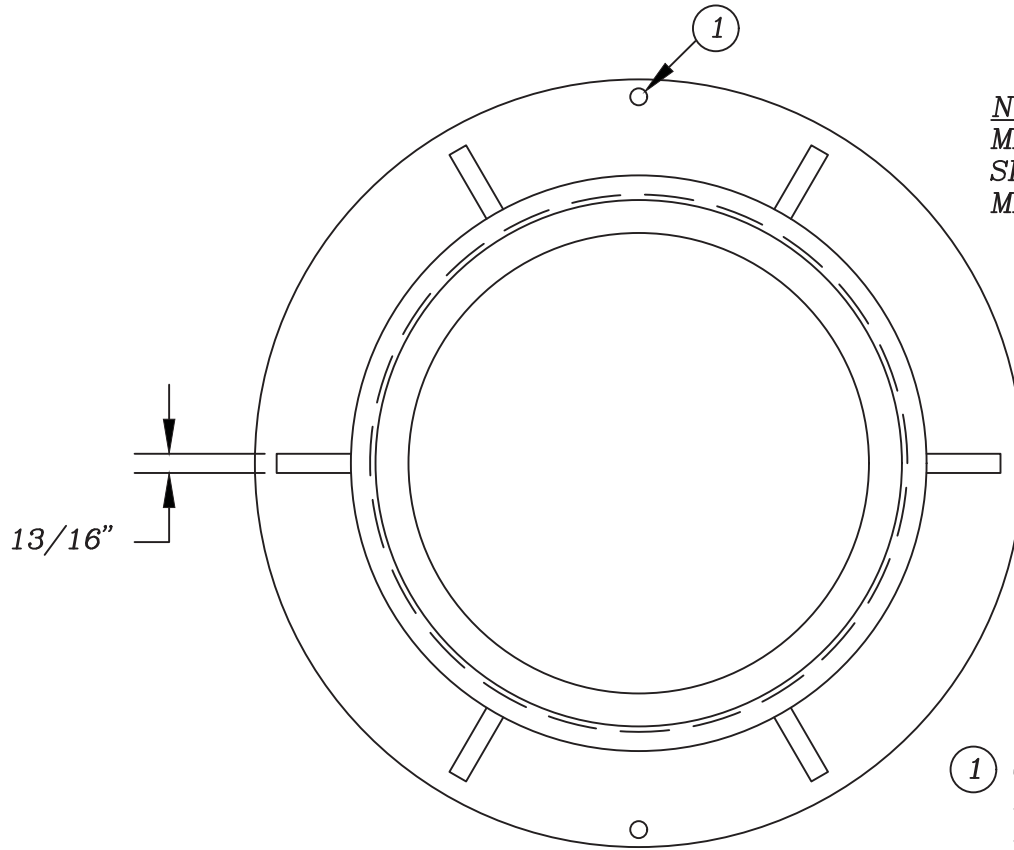


STANDARD DETAIL NO. 6.31

LEE COUNTY UTILITIES

MANHOLE FRAME RING

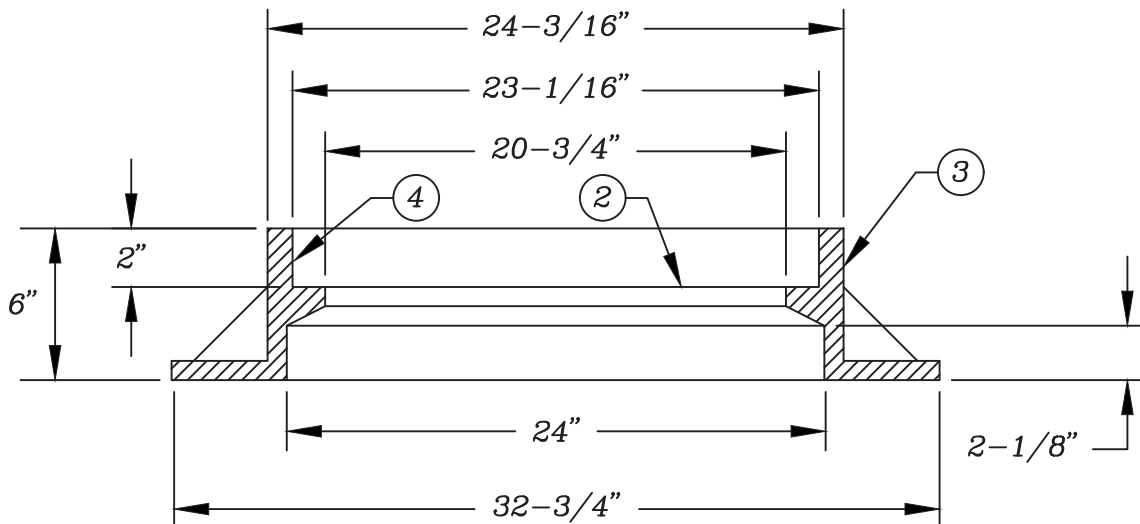
N.T.S.



(PLAN VIEW)

NOTE:
 MATERIAL: CAST IRON,
 SEE APPROVED
 MATERIAL LIST

- ① (2) 1-13/16" DIA. ANCHOR HOLES 180° APART
- ② MACHINE SURFACES
- ③ 2° TAPER
- ④ 4° TAPER



(SECTION VIEW)

NOTE:
 COVER WEIGHT 130 LBS (APROX.)
 RING WEIGHT 195 LBS (APROX.)