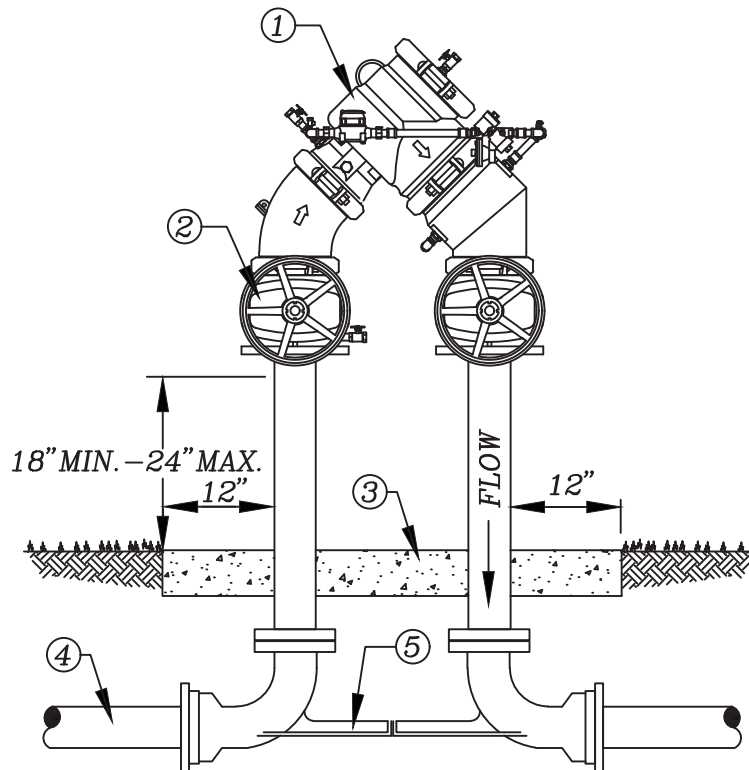


STANDARD DETAIL NO. 6.23

LEE COUNTY UTILITIES

COMPACT CROSS CONNECTION CONTROL ASSEMBLY

N.T.S.



- ① DOUBLE CHECK DETECTOR BACKFLOW PREVENTOR ASSEMBLY UL/FM APPROVED FOR FIRE SERVICE INSTALLATION WITH LOW FLOW BYPASS INDICATOR METER. (SEE APPROVED MATERIAL LIST)
- ② FLANGED GATE VALVE WITH RISING STEM AND RESILIENT SEAT (TYPICAL)
- ③ CONCRETE FOUNDATION 3,000 P.S.I. (TYPICAL) TO BE 4' WIDE X 5' LONG, 4" THICK; REINFORCED 6 X 6 10/10 WELDED WIRE MESH MINIMUM
- ④ D.I.P. TO POINT OF CONNECTION
- ⑤ EPOXY COATED D.I.P. VALVE SETTER ASSEMBLY

NOTES:

1. ALL PAINTING TO BE IN ACCORDANCE WITH LCU STANDARDS.
2. A REDUCED PRESSURE DETECTOR BACKFLOW ASSEMBLY SHALL BE USED WHEN HIGH HAZARDS, AS DEFINED BY AWWA M-14 (e.g. RISK OF CHEMICAL ADDITION, MEDICAL FACILITIES, INDUSTRIAL FACILITIES, PROPERTIES USING RECLAIMED WATER, ETC.) EXIST.
3. ALL ABOVE GROUND PIPE WILL HAVE FLANGED END DUCTILE IRON PIPE, PRESSURE CLASS 350. ALL NUTS AND BOLTS SHALL BE STAINLESS STEEL.
4. ALL PLANTING SHALL BE A MINIMUM OF 1.5' FROM THE EDGE OF SLAB, AND SHALL PROVIDE A 3' ACCESS OPENING.