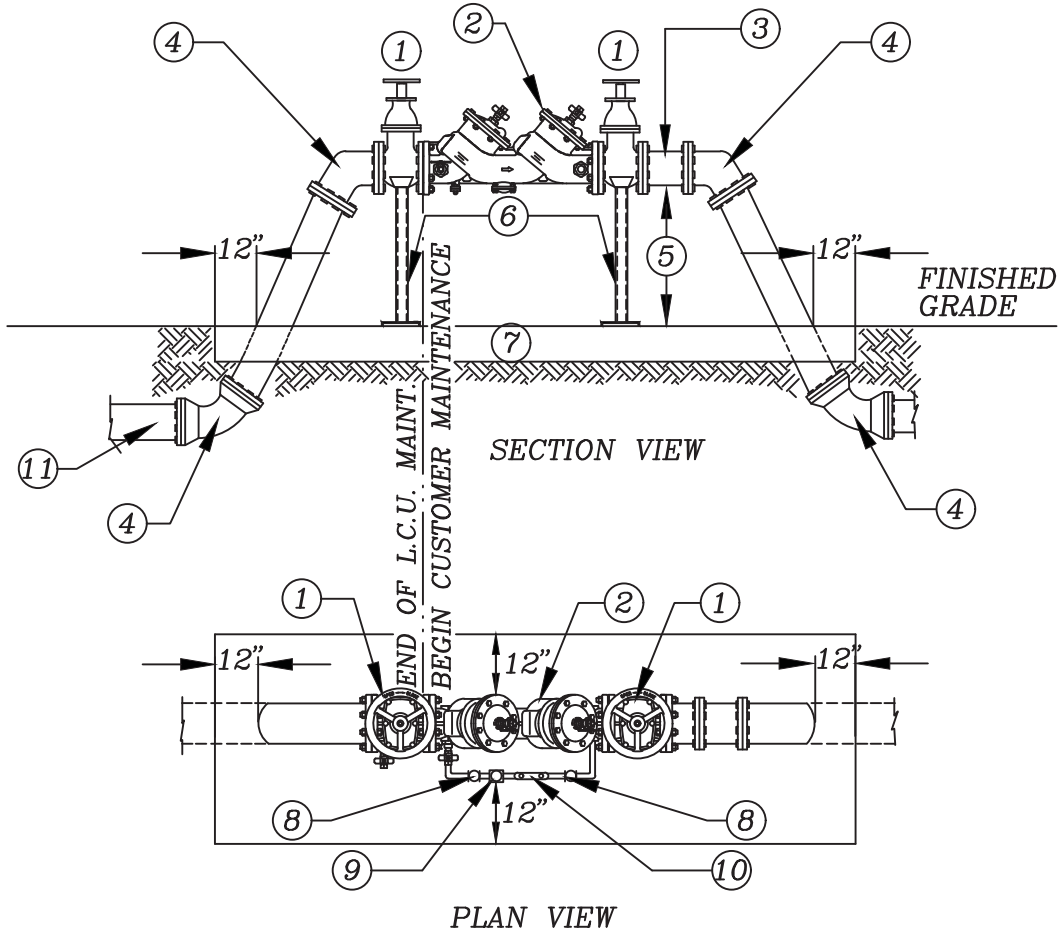


# STANDARD DETAIL NO. 6.21

## LEE COUNTY UTILITIES

### 2-1/2" OR LARGER CROSS CONNECTION CONTROL ASSEMBLY

N.T.S.



- |  |  |
|--|--|
| ① OS & Y GATE VALVE  | ⑤ 18" MIN. TO 24" MAX. FROM FINISH GRADE TO LOWEST POINT ALL FITTINGS            |
| ② L.C.U. APPROVED REDUCED PRESSURE PRINCIPLE OR DOUBLE CHECK VALVE ASSEMBLY    | ⑥ HOT DIPPED GALVANIZED OR S.S. ADJUSTABLE PIPE STANDS (SEE LCU STANDARD DETAIL) |
| ③ 24" LONG FLANGE X PLAIN END SPOOL PIECE W/UNIFLANGE ON PLAIN END LINE UP     | ⑦ 4" THICK CONCRETE PAD 3000 P.S.I. MIN.   |
| ④ 45° OR 90° ELBOW M.J. W/ RETAINER GLANDS ABOVE GROUND FITTINGS TO BE FLANGED | ⑧ RESILIENT SEATED FULL FLOW VALVE   |
|  | ⑨ LOW FLOW BYPASS METER  |
|  | ⑩ REDUCED PRESSURE BACKFLOW PREVENTION DEVICE                                    |
|  | ⑪ D.I.P. TO POINT OF CONNECTION  |

NOTES: 1. PAINT IN ACCORDANCE WITH LCU STANDARDS

2. ALL PIPING BETWEEN THE BELOW GROUND 45° or 90° BENDS AND THROUGH THE ASSEMBLY SHALL BE DIP, PRESSURE CLASS 350 ABOVE GROUND DIP SHALL BE FLANGED