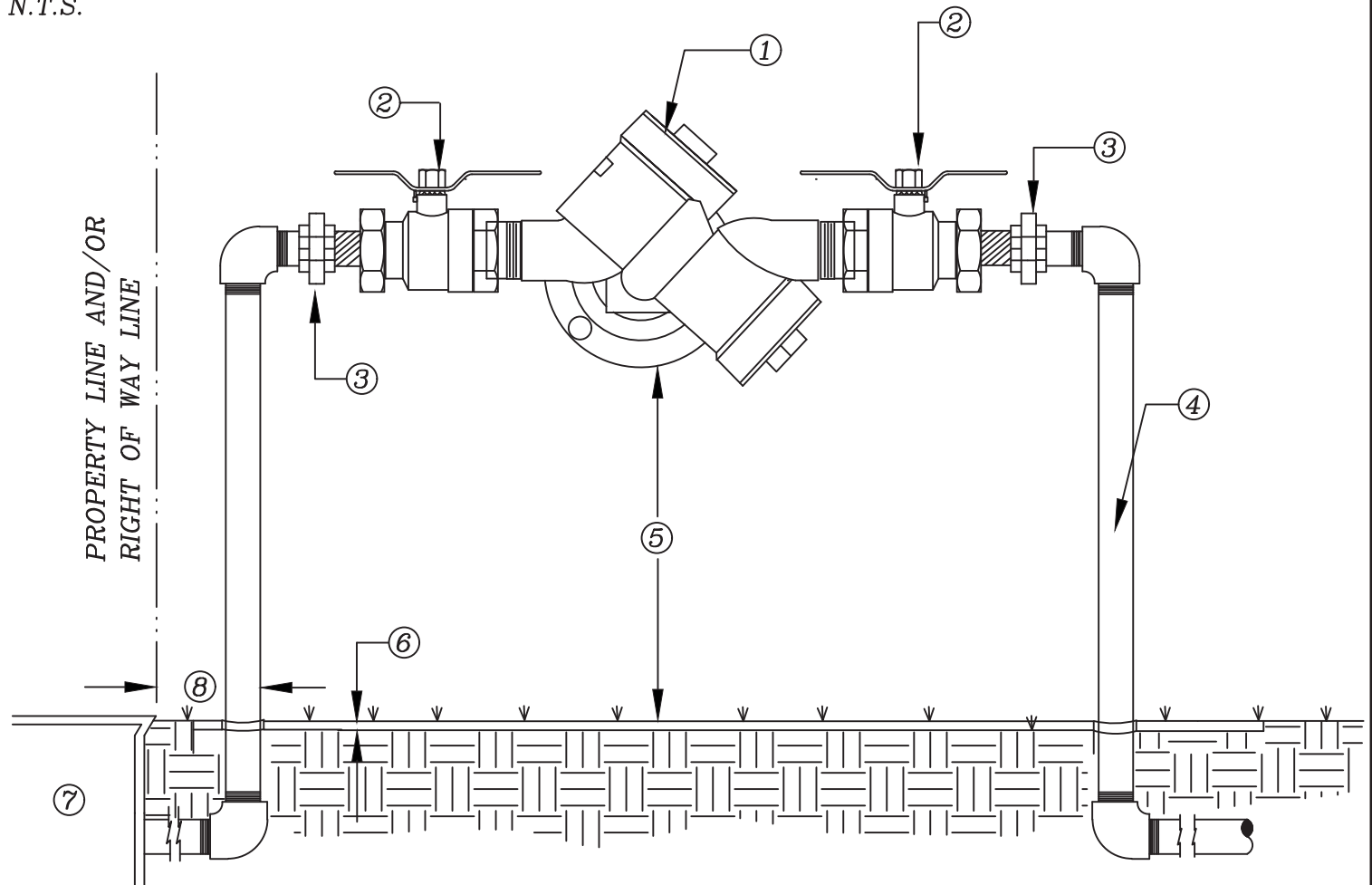


STANDARD DETAIL NO. 6.19

LEE COUNTY UTILITIES

3/4" TO 2" CROSS CONNECTION CONTROL ASSEMBLY

N.T.S.



- ① LCU APPROVED REDUCED PRESSURE BACKFLOW PREVENTION DEVICE (SEE APPROVED MATERIAL LIST)
- ② FULL FLOW BRONZE BALL VALVE
- ③ UNION
- ④ ALL PIPING AND FITTINGS SHALL BE BRASS OR COPPER
- ⑤ 12" MIN. - 24" MAX. UNLESS OTHERWISE APPROVED BY LCU
- ⑥ FINISHED GRADE
- ⑦ METER BOX
- ⑧ 2' MAXIMUM

NOTES: 1. UNIONS REQUIRED
2. INITIAL AND ANNUAL DEVICE TESTING REQUIRED