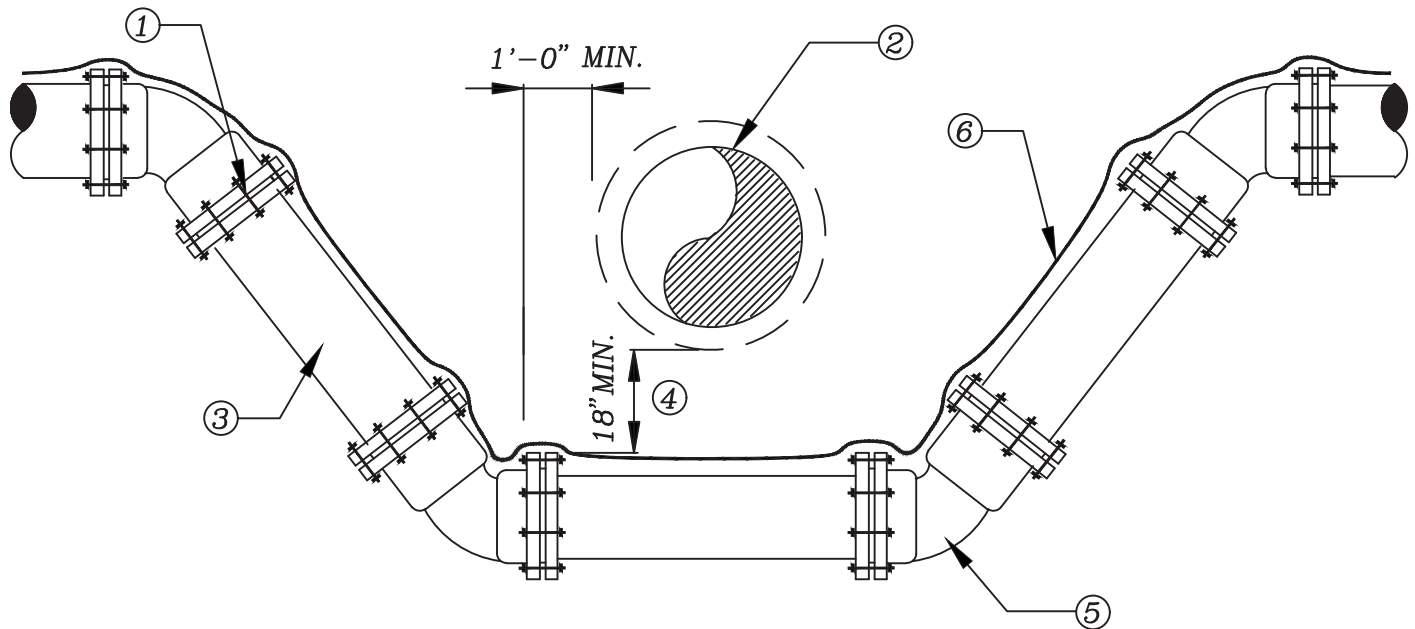


STANDARD DETAIL NO. 6.10

LEE COUNTY UTILITIES

WATER PRESSURE LINE VERTICAL OFFSET W/ DUCTILE IRON MJ FITTINGS & PIPE

N.T.S.



- ① LCU APPROVED JOINT RESTRAINT FOR D.I., M.J. PIPE AND FITTINGS PLACED IN ACCORDANCE WITH JOINT RESTRAINT SCHEDULE. (SEE DETAIL 6.12)
- ② CONFLICT PIPE
- ③ LCU APPROVED DUCTILE IRON PIPING PRESSURE CLASS 350
- ④ 18" MIN. UNLESS OTHERWISE APPROVED BY LCU
- ⑤ 45° MECHANICAL JOINT FITTING, TYPICAL
- ⑥ 12 GAUGE DOUBLE INSULATED COPPER WIRE (SEE LCU STANDARD DETAIL)