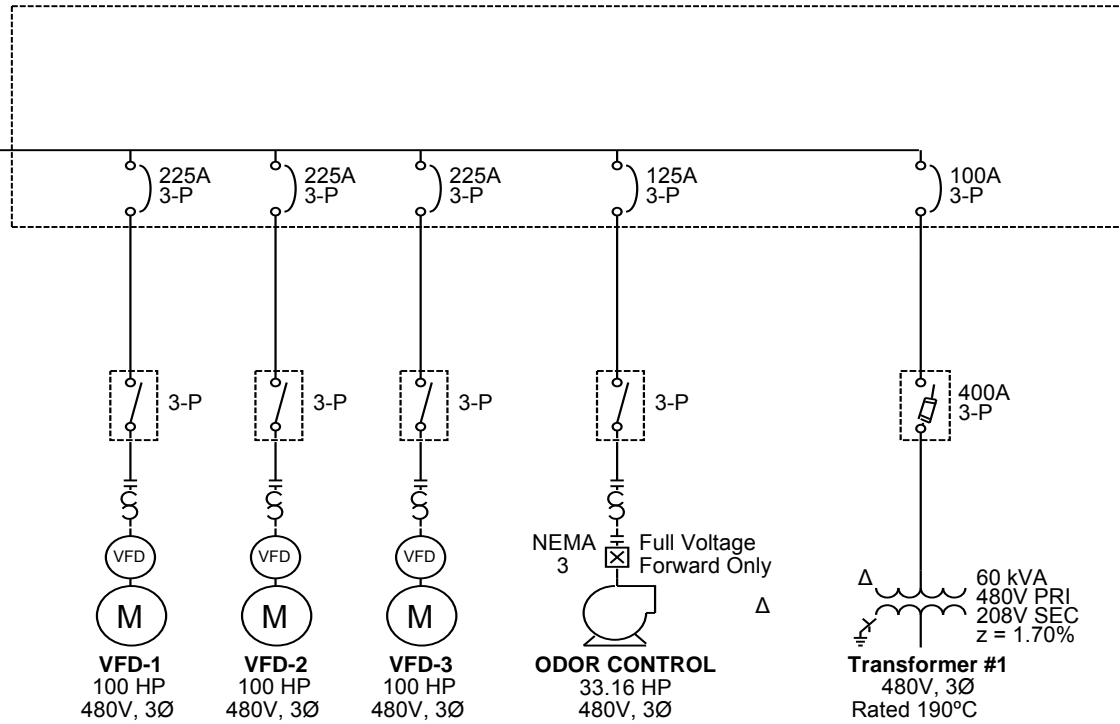


MAIN PANEL One-Line Riser Diagram 600A
 OCPD, 600A Rated Main Buss 480V - 277V 3-Phase



Project Name: LS-482 REHAB			
Drawing Title: MAIN PANEL One Line Diagram			
Lee County Utilities Lee County Utilities 7401 College Parkway Fort Myers, Fl. 33907	Date: Friday, Oct. 24, 2014	Scale: None	Drawing Number:
	Project Number:	Drawn By: Doug Meyer	