
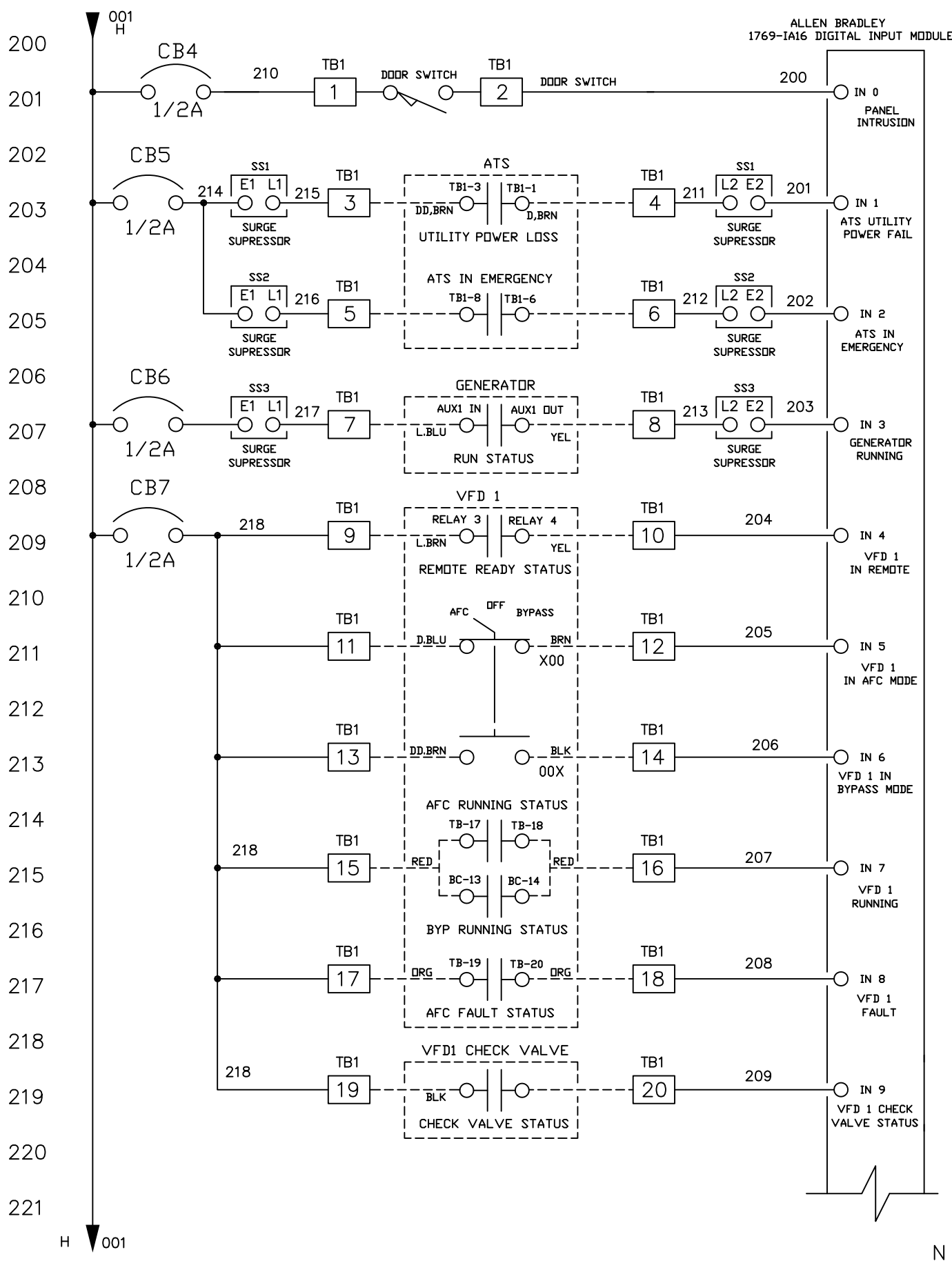
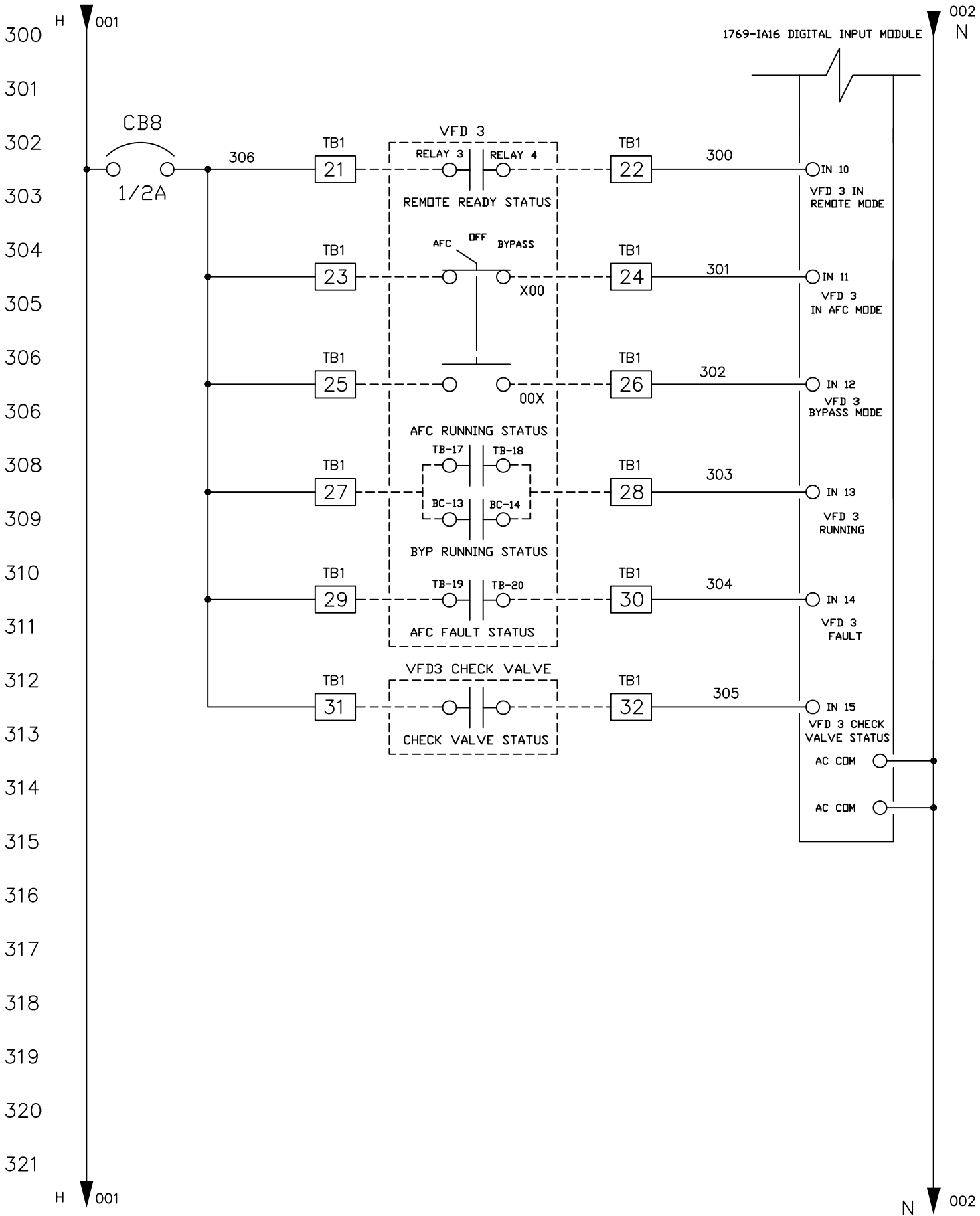

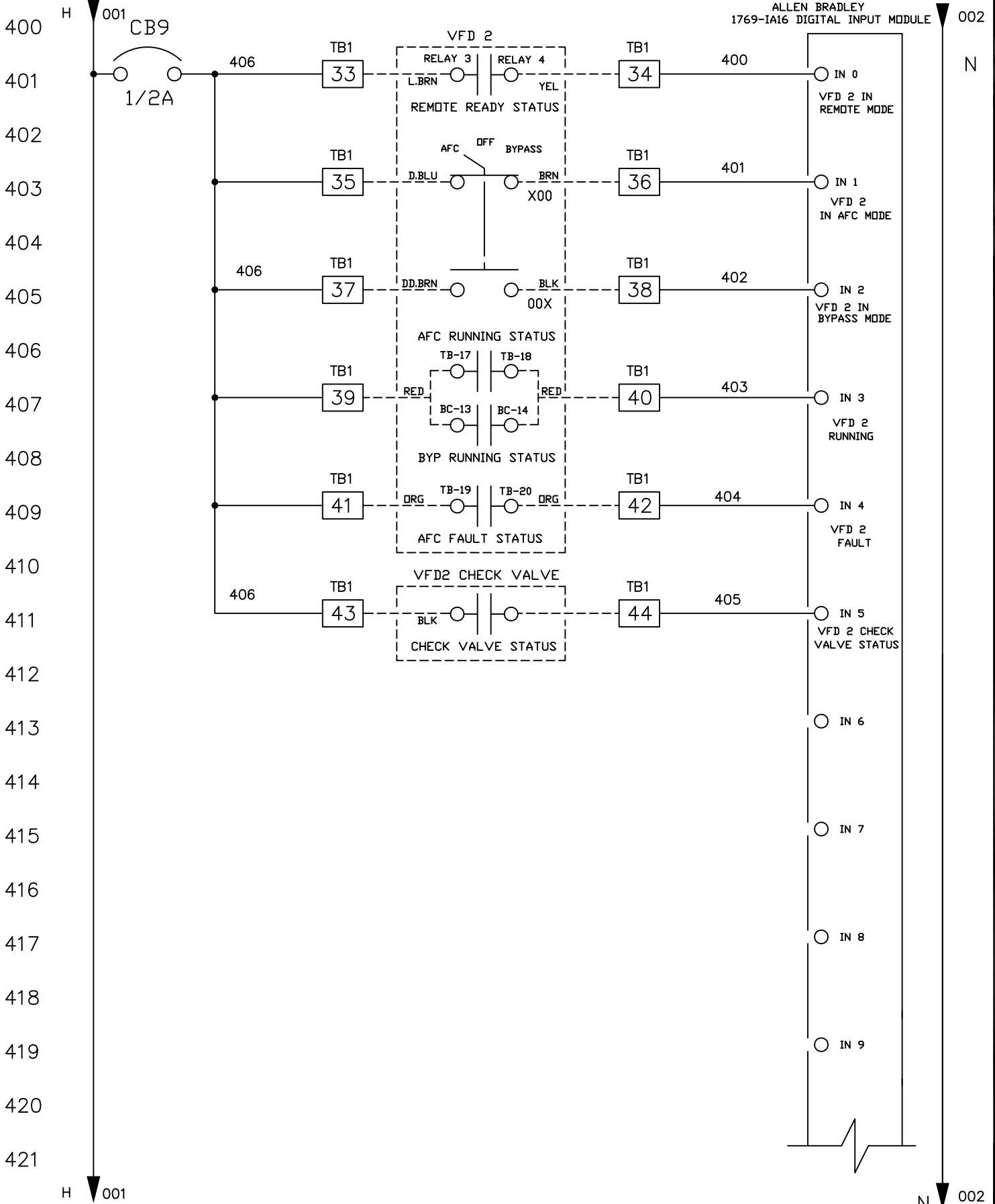


DRAWN BY: WDB	PAGE 1 OF 9	REV.	 14190 63RD WAY NORTH CLEARWATER, FL 33760 727.531.7141 www.primexcontrols.com
DWG NO. P5200	DATE: 12/01/14		
DWG NAME: CONTROL ENCLOSURE LEE COUNTY LIFT STATION #481			





DRAWN BY: WDB	PAGE 3 OF 9	REV.	 14190 63RD WAY NORTH CLEARWATER, FL 33760 727.531.7141 www.primexcontrols.com
DWG NO. P5200	DATE: 12/01/14		
DWG NAME: CONTROL ENCLOSURE LEE COUNTY LIFT STATION #481			

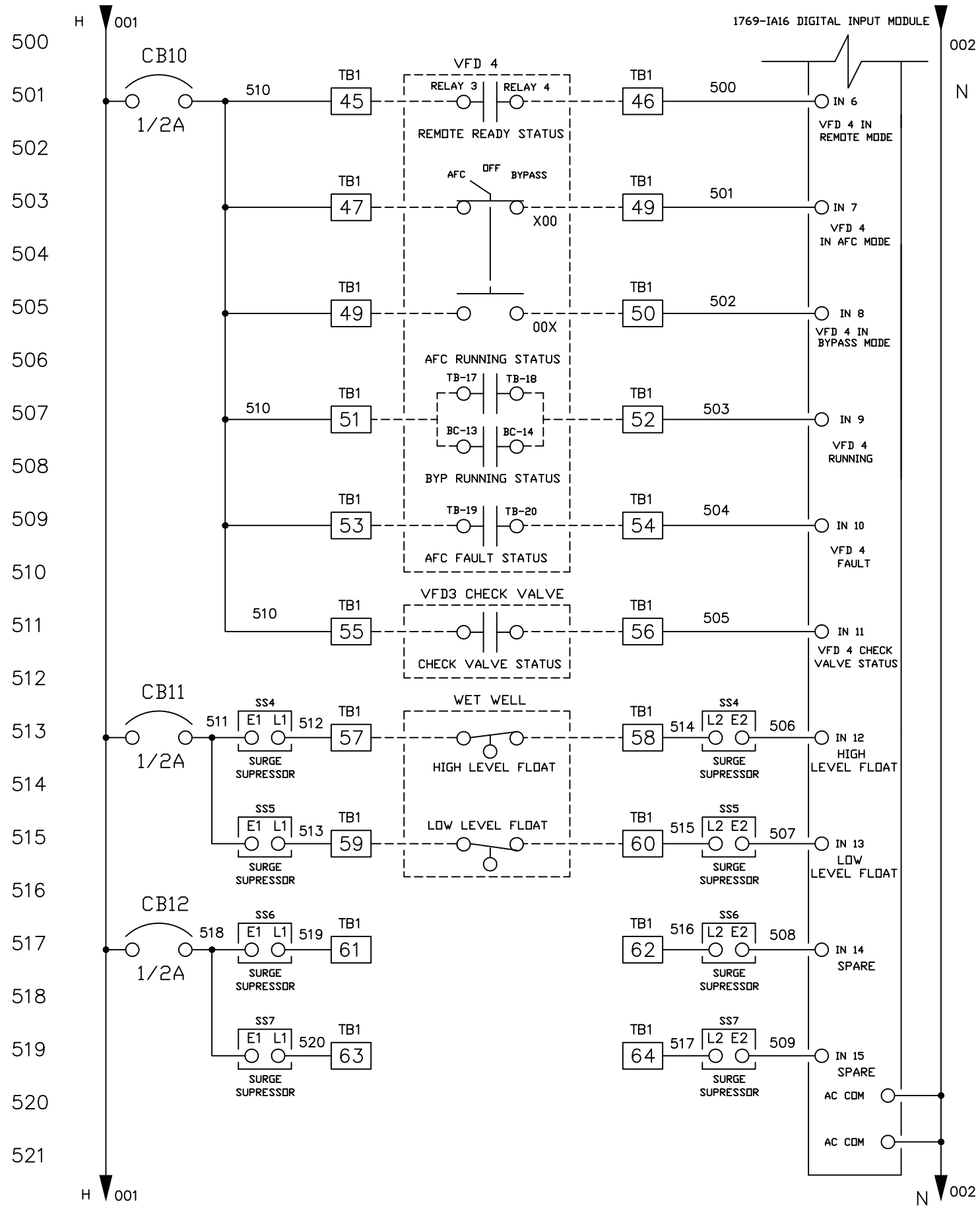


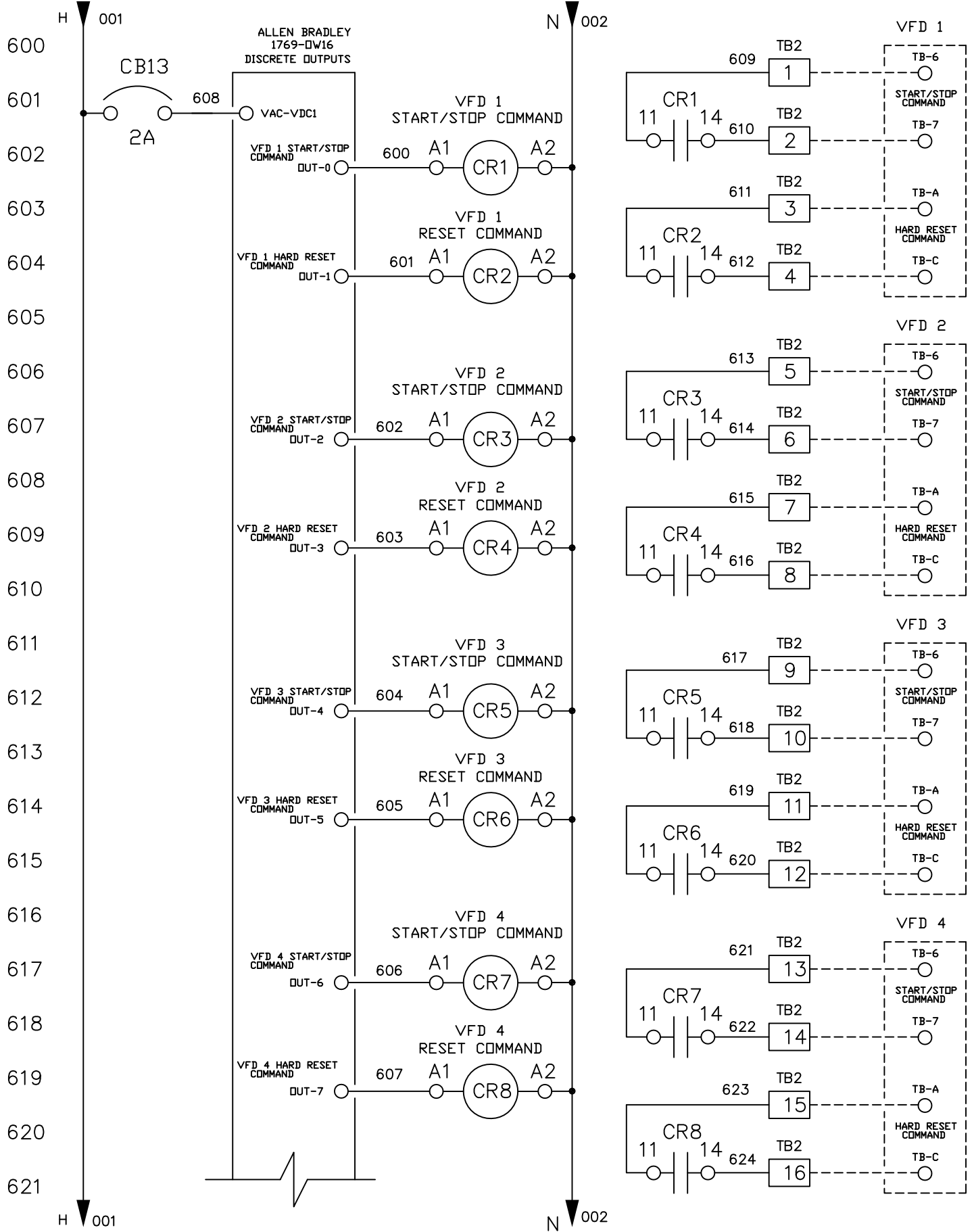
DRAWN BY: WDB PAGE 4 OF 9 REV.

DWG NO. P5200 DATE: 12/01/14

 14190 63RD WAY NORTH
CLEARWATER, FL 33760
727.531.7141
www.primexcontrols.com

DWG NAME: CONTROL ENCLOSURE LEE COUNTY LIFT STATION #481





DRAWN BY: WDB

PAGE 6 OF 9

REV.

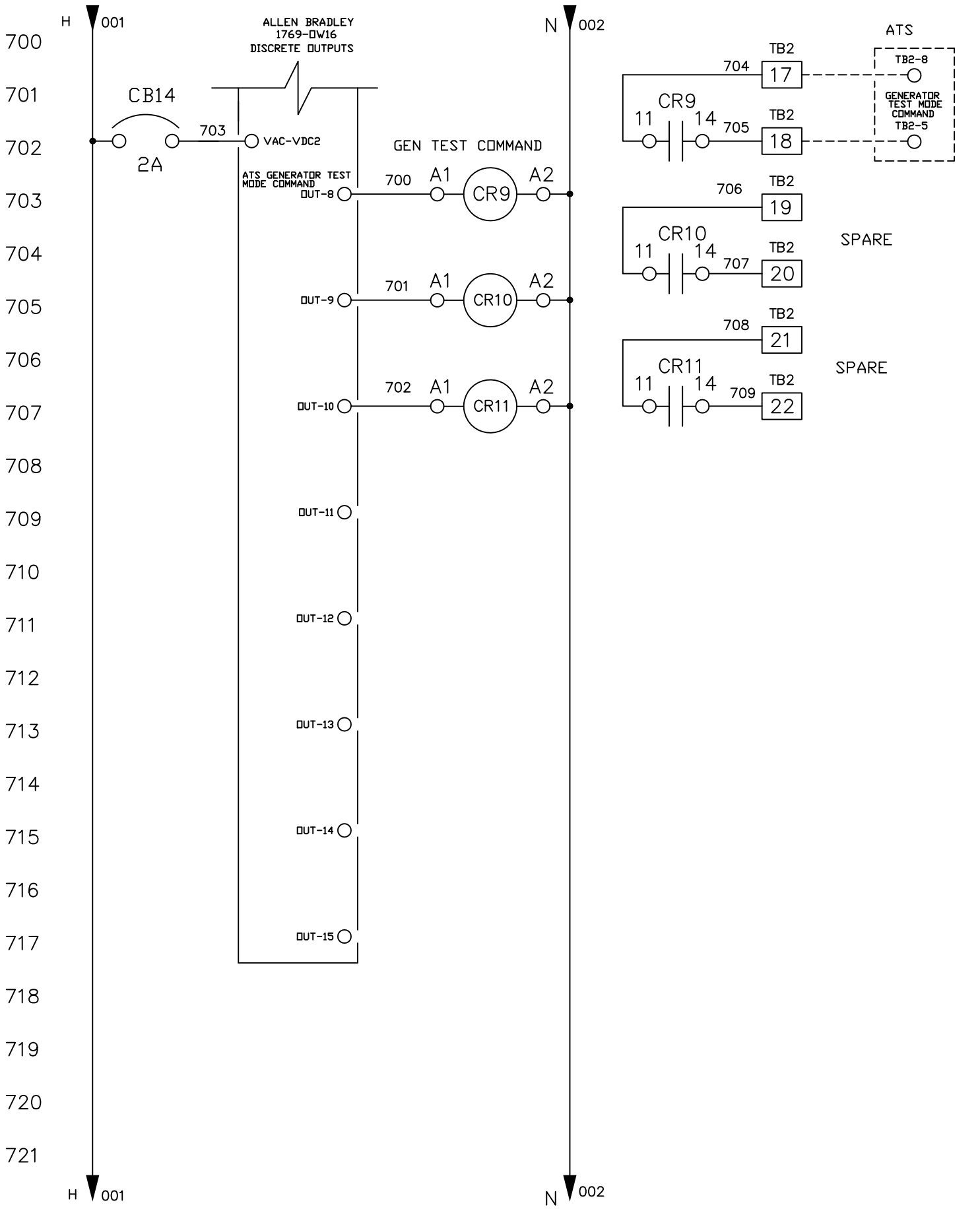
DWG NO. P5200


DATE: 12/01/14

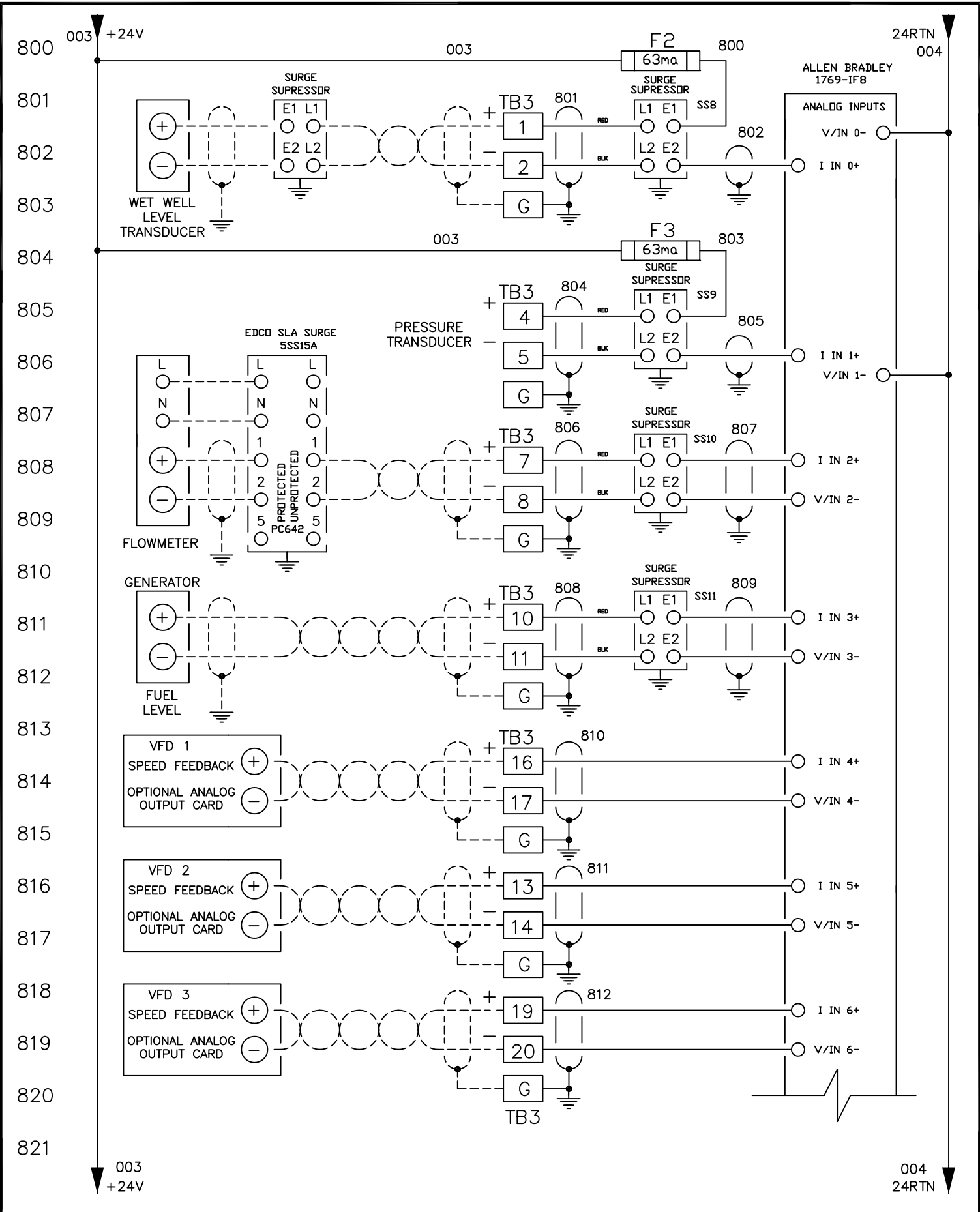



14190 63RD WAY NORTH
 CLEARWATER, FL 33760
 727.531.7141
 www.primexcontrols.com

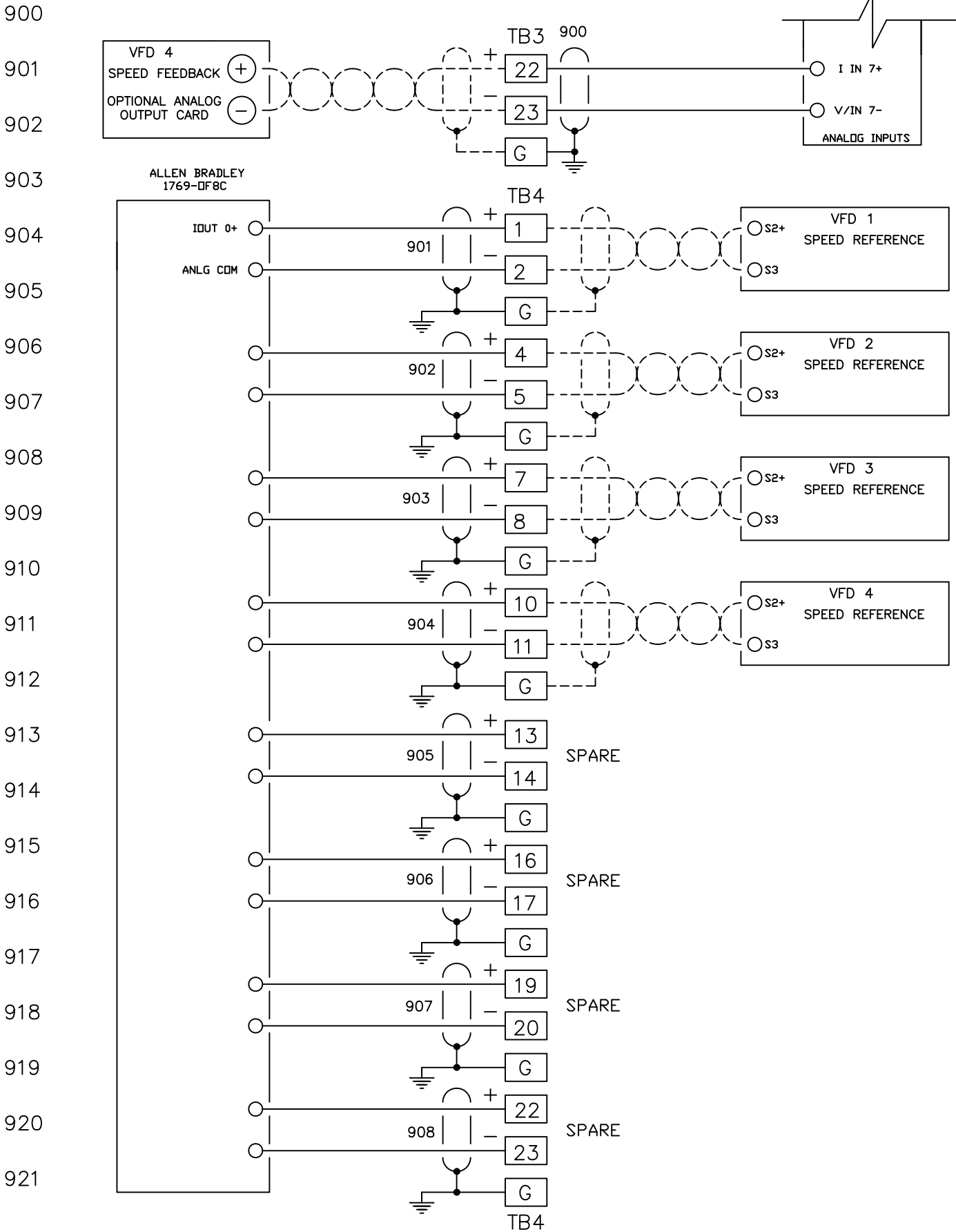
DWG NAME: CONTROL ENCLOSURE LEE COUNTY LIFT STATION #481



DRAWN BY: WDB	PAGE 7 OF 9	REV.	 14190 63RD WAY NORTH CLEARWATER, FL 33760 727.531.7141 www.primexcontrols.com
DWG NO. P5200	DATE: 12/01/14		
DWG NAME: CONTROL ENCLOSURE		LEE COUNTY LIFT STATION #481	



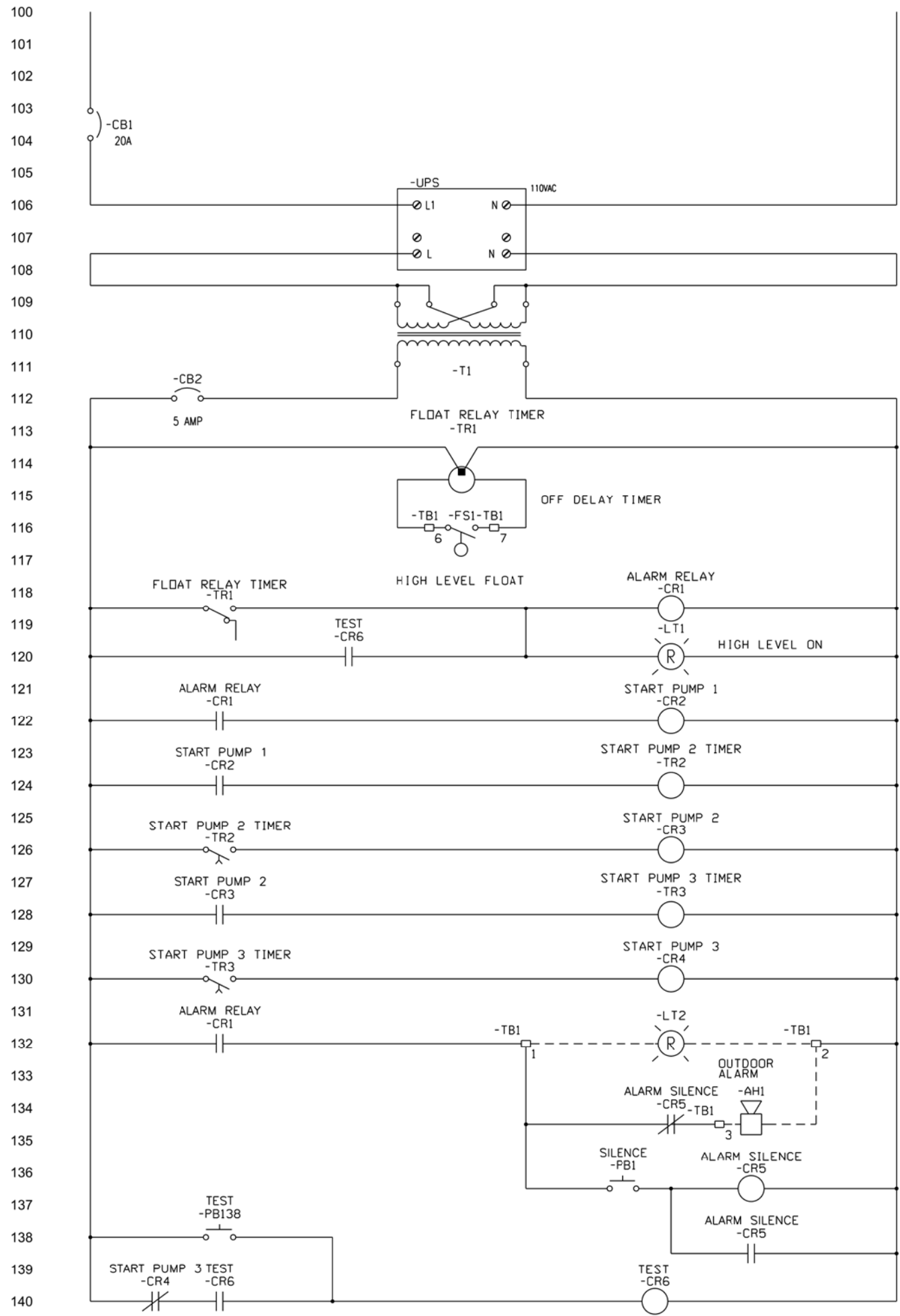
DRAWN BY: WDB		PAGE 8 OF 9		REV.		 14190 63RD WAY NORTH CLEARWATER, FL 33760 727.531.7141 www.primexcontrols.com	
DWG NO. P5200		DATE: 12/01/14					
DWG NAME: CONTROL ENCLOSURE LEE COUNTY LIFT STATION #481							



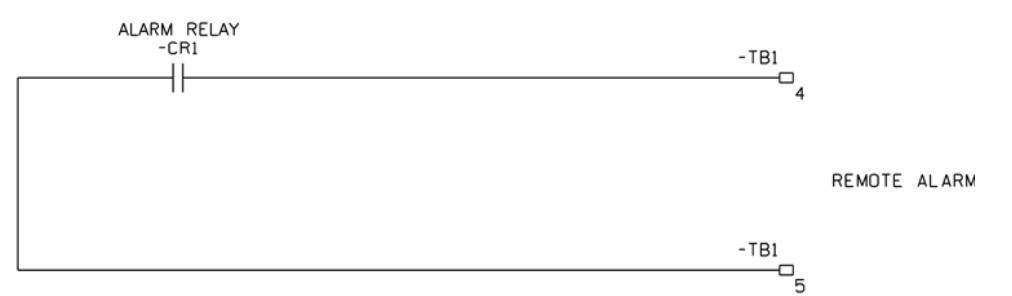
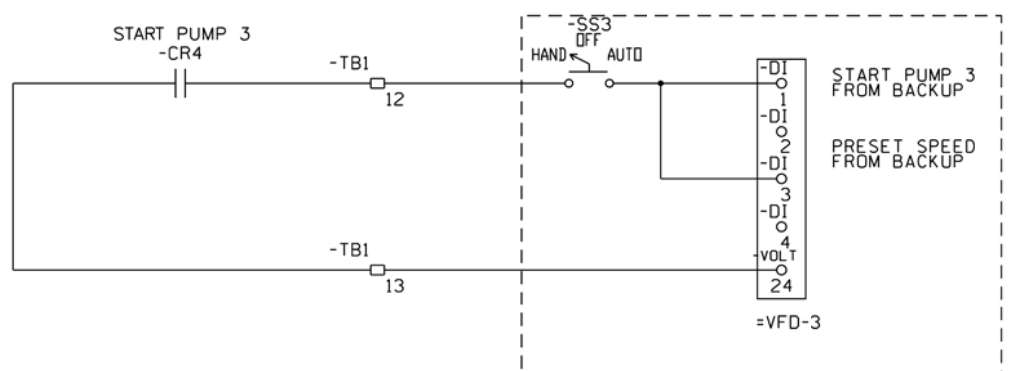
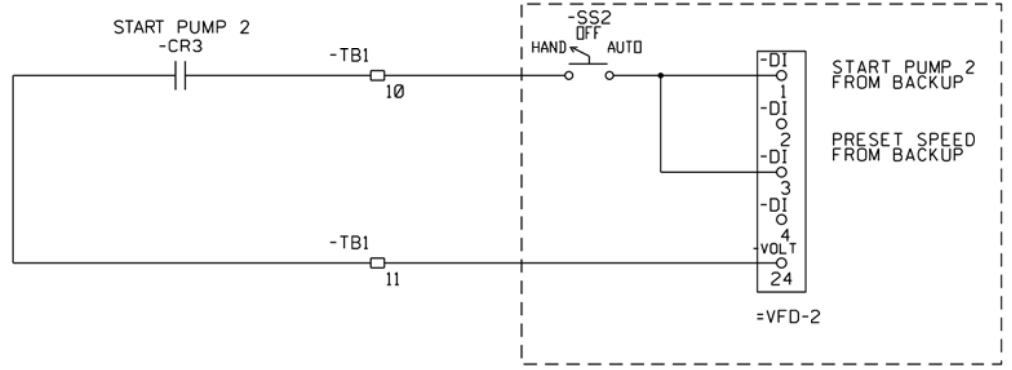
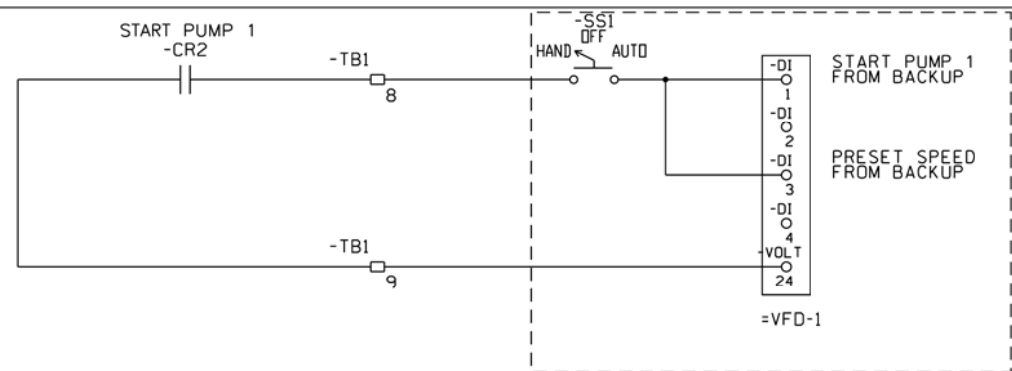
DRAWN BY: WDB	PAGE 9 OF 9	REV.
DWG NO. P5200	DATE: 12/01/14	


 14190 63RD WAY NORTH
 CLEARWATER, FL 33760
 727.531.7141
www.primexcontrols.com

DWG NAME: CONTROL ENCLOSURE LEE COUNTY LIFT STATION #481



141
142
143
144
145
146
147
148
149
150
151
152
153
154
155
156
157
158
159
160
161
162
163
164
165
166
167
168
169
170
171
172
173
174
175
176
177
178
179
180
181



DATE		NAME		PROJECT:		DRAWING-NO.:		
02-17-2015		MEYERD G		MPS BACKUP		JOB-NO.:		
DRAWN BY		CKD BY		PAGE DESCRIPTION				PAGE:
				LEE COUNTY UTILITIES 7401 COLLEGE PARKWAY FORT MYERS, FL. 33907				1 OF 1