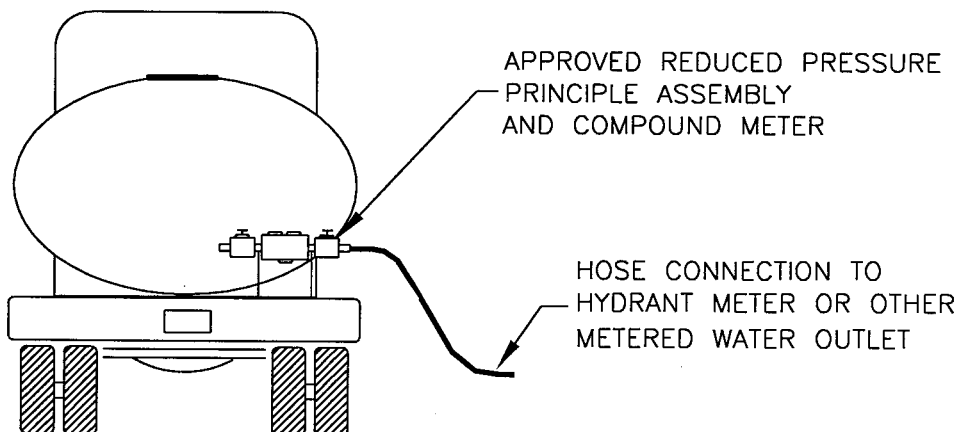
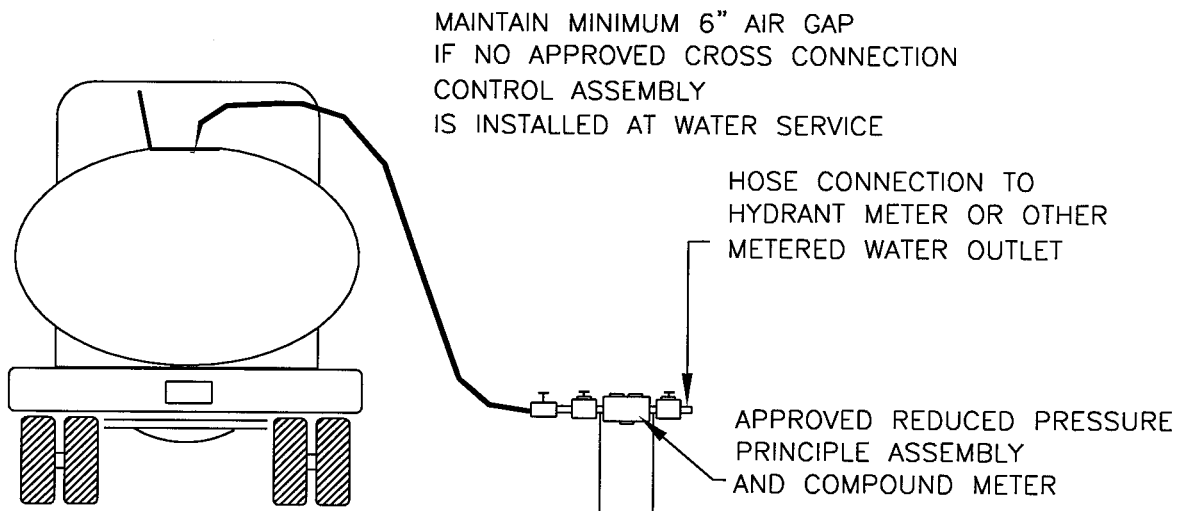
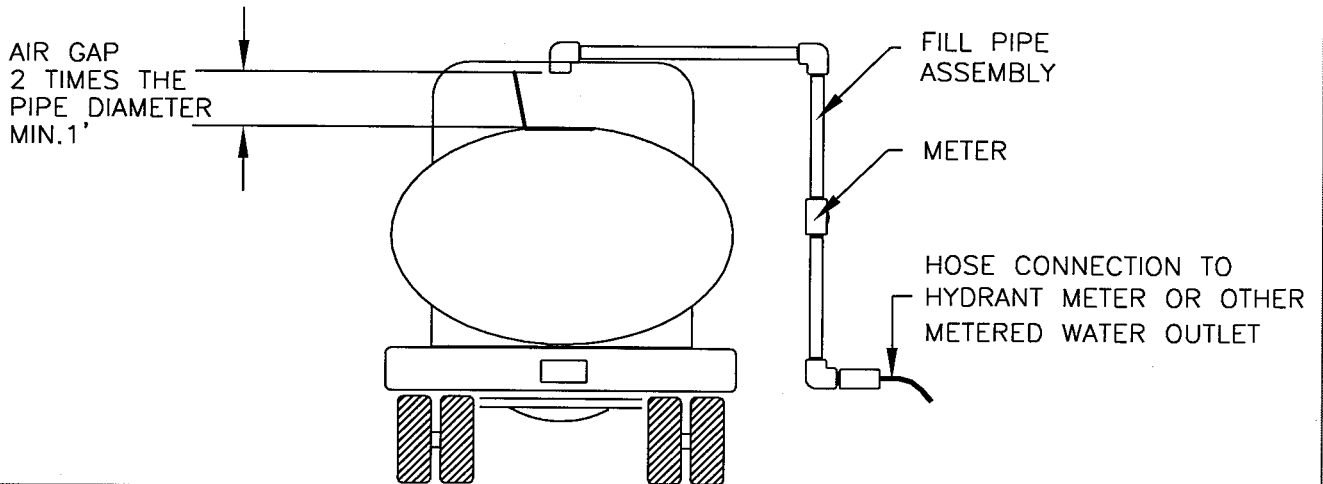


STANDARD DETAIL NO. 9.49

LEE COUNTY UTILITIES

WATER TANKER TRUCK - AIR GAP SEPARATION



NTS

DATE: 06/26/2003

S:\UTILS\ENGR\ACAD\DETAILS\49