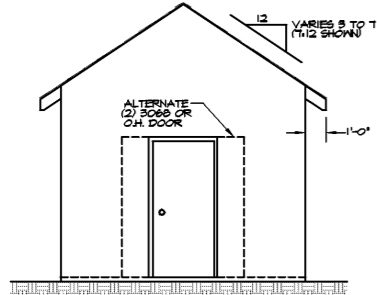
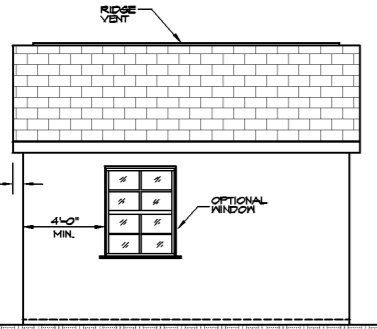


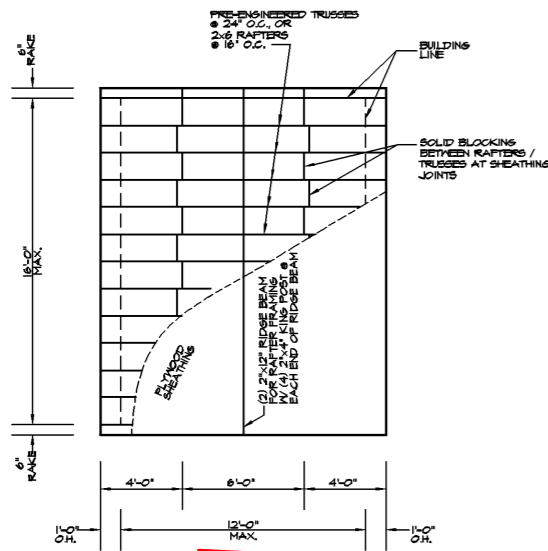
GABLE ROOF OPTION



FRONT VIEW
SCALE 1/8" = 1'-0"

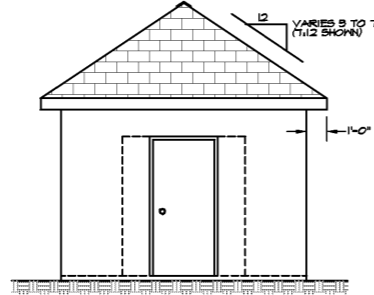


SIDE VIEW
SCALE 1/8" = 1'-0"

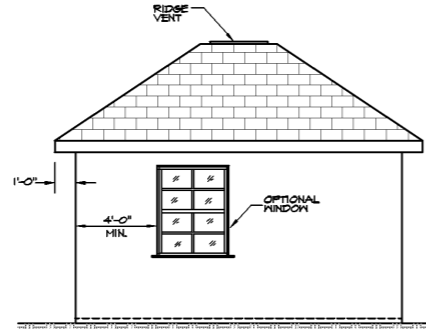


ROOF PLAN
SCALE 1/8" = 1'-0"

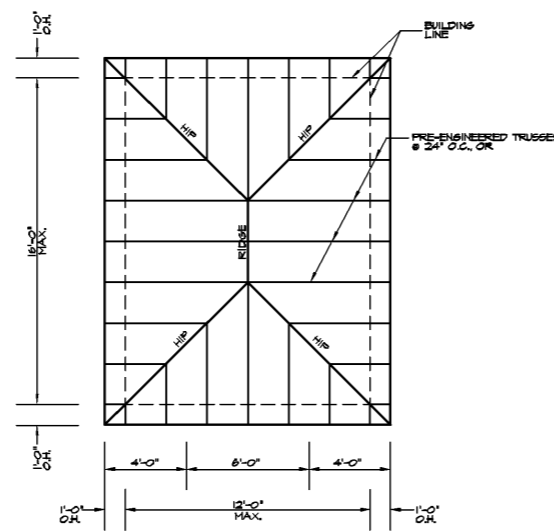
HIP ROOF OPTION



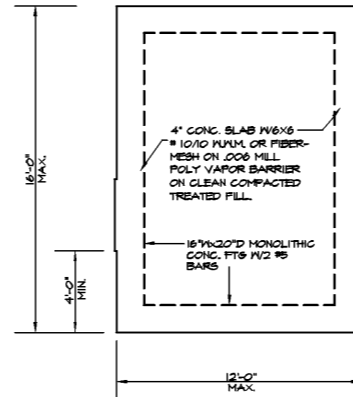
FRONT VIEW
SCALE 1/8" = 1'-0"



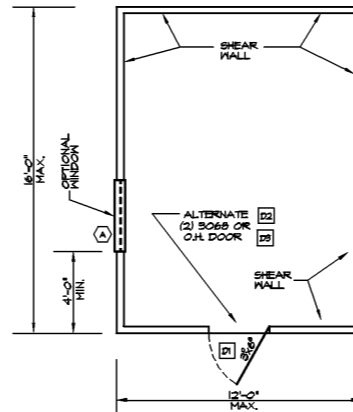
SIDE VIEW
SCALE 1/8" = 1'-0"



ROOF PLAN
SCALE 1/8" = 1'-0"



FOUNDATION PLAN
SCALE 1/8" = 1'-0"



FLOOR PLAN
SCALE 1/8" = 1'-0"

DESIGN PARAMETERS:

APPLICABLE CODES: <input checked="" type="checkbox"/> 2017 FLORIDA BUILDING CODE, RESIDENTIAL, SIXTH EDITION <input checked="" type="checkbox"/> 2017 FLORIDA BUILDING CODE, MECHANICAL, SIXTH EDITION <input checked="" type="checkbox"/> 2017 FLORIDA BUILDING CODE, ENERGY CONSERVATION, SIXTH EDITION <input checked="" type="checkbox"/> 2017 FLORIDA BUILDING CODE, ACCESSIBILITY, SIXTH EDITION <input checked="" type="checkbox"/> FLORIDA FIRE PROTECTION CODE, SIXTH EDITION <input checked="" type="checkbox"/> 2017 NATIONAL ELECTRICAL CODE <input checked="" type="checkbox"/> NATIONAL FIRE PROTECTION CODE, NFPA 101 (LIFE SAFETY)	WIND SPEEDS: <input checked="" type="checkbox"/> 50 MPH ULTIMATE DESIGN WIND SPEED (3-SECOND GUST) <input checked="" type="checkbox"/> 16 MPH NOMINAL DESIGN WIND SPEED (FASTEST MILE)
BUILDING OCCUPANCY CLASSIFICATION: <input type="checkbox"/> GROUP A - ASSEMBLY <input type="checkbox"/> GROUP B - BUSINESS <input type="checkbox"/> GROUP D - DAY CARE CENTER <input type="checkbox"/> GROUP E - EDUCATIONAL <input type="checkbox"/> GROUP F - FACTORY INDUSTRIAL <input type="checkbox"/> GROUP H - HAZARDOUS <input type="checkbox"/> GROUP I - INSTITUTIONAL <input type="checkbox"/> GROUP M - MERCANTILE <input type="checkbox"/> GROUP R - RESIDENTIAL <input checked="" type="checkbox"/> GROUP S - STORAGE	NOTES: SURFACE ROUGHNESS CATEGORY: <input checked="" type="checkbox"/> B <input type="checkbox"/> C <input type="checkbox"/> D EXPOSURE CATEGORY: <input checked="" type="checkbox"/> B <input type="checkbox"/> C <input type="checkbox"/> D WINDBORNE DEBRIS REGION: <input checked="" type="checkbox"/> YES <input checked="" type="checkbox"/> NOT APPLICABLE FOR SHEDS UNDER 720 SQ FT INTERNAL PRESSURE COEFFICIENTS: <input type="checkbox"/> 0.00 (OPEN) <input checked="" type="checkbox"/> -0.18, -0.18 (ENCLOSED) <input type="checkbox"/> -0.55, -0.55 (PARTIALLY ENCLOSED)
BUILDING CONSTRUCTION TYPE: <input type="checkbox"/> TYPE I-A <input type="checkbox"/> TYPE I-B <input type="checkbox"/> TYPE I-C <input type="checkbox"/> TYPE II-A <input type="checkbox"/> TYPE II-B <input type="checkbox"/> TYPE II-C <input type="checkbox"/> TYPE III-A <input type="checkbox"/> TYPE III-B <input type="checkbox"/> TYPE III-C <input type="checkbox"/> TYPE IV <input type="checkbox"/> TYPE V-A <input type="checkbox"/> TYPE V-B	COMPONENTS AND CLADDING PRESSURES: ZONE 1: +2.1 / -0.4 ZONE 2: +2.2 / -0.75 ZONE 3: +2.5 / -1.05 ZONE 4: +4.0 / -1.9 ZONE 5: +4.0 / -1.5
RISK CATEGORY: <input checked="" type="checkbox"/> I <input type="checkbox"/> II <input type="checkbox"/> III <input type="checkbox"/> IV	GEOTECHNICAL INFO: (FOUNDATIONS ARE BASED ON A MINIMUM SOIL BEARING CAPACITY OF 2000 PSF)

WINDOW SCHEDULE										
KEY	SIZE	TYPE	OPENING SIZE	MANUFACTURER	ACTUAL APPLIED WIND PRESSURES	MANIP. MAX. DESIGN PRESSURES	IMPACT PROTECTION TYPE OF OPENING PROTECTION (GLAZING)	INSTALLATION NOTES (LIST BELOW)	BUCK DETAIL	STATE OF FLORIDA PRODUCT APPROVAL HASTER NUMBERS
(A)	VARIES	SL	VARIES	SEE STATE APPROVED LIST	44 - 45	VARIES	N/A		SEE 151	VARIES

DOOR SCHEDULE										
KEY	SIZE	TYPE	OPENING SIZE	MANUFACTURER	ACTUAL APPLIED WIND PRESSURES	MANIP. MAX. DESIGN PRESSURES	IMPACT PROTECTION TYPE OF OPENING PROTECTION (GLAZING)	INSTALLATION NOTES (LIST BELOW)	BUCK DETAIL	STATE OF FLORIDA PRODUCT APPROVAL HASTER NUMBERS
D1	5'0"	5'0" x 8'0"	5'0" x 8'0"	SEE STATE APPROVED LIST	44 - 45	VARIES	N/A		SEE 251	VARIES
D2	2'0"	2'0" x 8'0"	2'0" x 8'0"	SEE STATE APPROVED LIST	44 - 45	VARIES	N/A		SEE 251	VARIES
D3	VARIES	O.H. DR.	VARIES	SEE STATE APPROVED LIST	44 - 45	VARIES	N/A		SEE 251	VARIES

ROOF COVERING MATERIAL		
TYPE	MANUFACTURER	APPROVED MODEL, STYLE OR DESIGNATION
ASPHALT SHINGLES OR METAL	SEE APPROVED LIST	SEE APPROVED LIST

SOFFIT COVERING MATERIAL		
TYPE	MANUFACTURER	APPROVED MODEL, STYLE OR DESIGNATION
VARIES	SEE APPROVED LIST	SEE APPROVED LIST

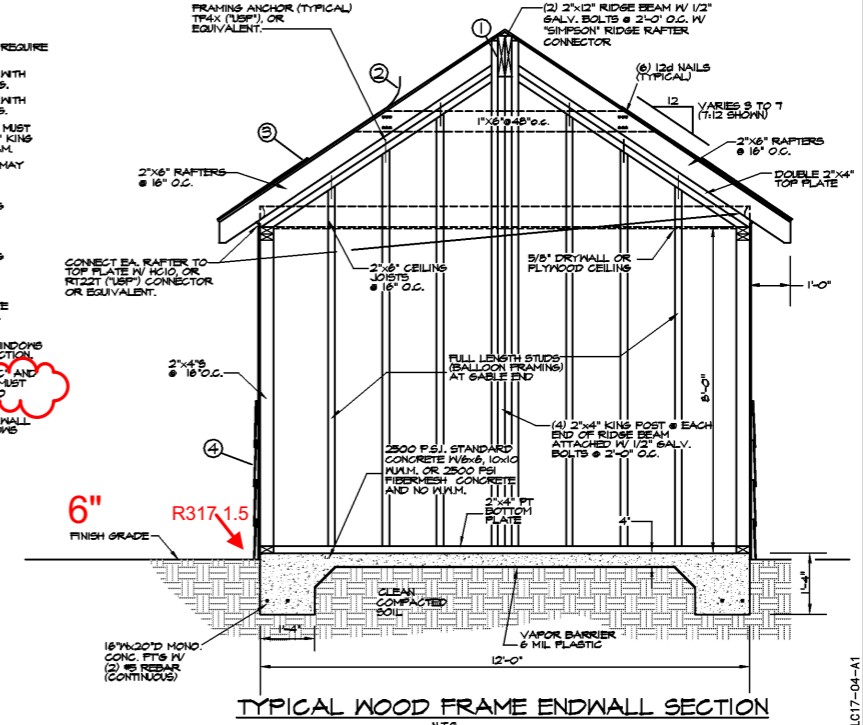
PRODUCT APPROVAL TO BE ON JOB SITE FOR INSPECTION

ALL BUILDINGS OVER 720 SQ FT REQ OPENING PROTECTION

GENERAL NOTE:
 PRE-ENGINEERED ROOF TRUSSES REQUIRE NO COLLAR TIES.
 PRE-ENGINEERED ROOF TRUSSES WITH GABLE ROOFS REQUIRE BLOCKING.
 PRE-ENGINEERED ROOF TRUSSES WITH HIP ROOFS REQUIRE NO BLOCKING.
 GABLE END WALLS WITH RAFTERS MUST BE BALLOONED FRAMED W/ (4) 2"x4" KING POST @ EACH END OF RIDGE BEAM.
 GABLE END WALLS WITH TRUSSES MAY BE BALLOONED FRAMED OR PLATFORM FRAMED.
 HEADERS FOR 6'-6" HST. OPENING SHALL BE (2) 2" x 12" W 1/2" FLITCH PLATE & CONTINUOUS TOP PLATE ABOVE.
 HEADERS FOR 7'-0" HST. OPENING SHALL BE (2) 2" x 10" W 1/2" FLITCH PLATE & CONTINUOUS TOP PLATE ABOVE.
 TWO LAYERS OF WATER RESISTIVE BARRIER BEHIND EXTERIOR WALL COVERING. R103.6.3
 PROVIDE PAN FLASHING UNDER WINDOWS AND DOORS ON FRAME CONSTRUCTION.
 ***WINDBORNE DEBRIS RESISTANT AND 10' WIND RESISTANT SLASHING MUST BE UTILIZED FOR ALL DOORS AND WINDOWS.
 PROVIDE A MINIMUM OF 2 LAYERS OF WALL BETWEEN ALL DOORS AND WINDOWS AND CORNERS.

NOTE:
 WHEN BLDG. IS LOCATED WITHIN A FEMA FLOOD ZONE AREA, HYDROSTATIC VENTING IS REQ'D. HYDROSTATIC VENTING SHALL BE SO ARRANGED TO PERMIT THE AUTOMATIC PASSAGE OF STORM-WATER. ALL VENTING SHALL BE LOCATED A MAXIMUM OF 1'-0" ABOVE F.F. 1.50. IN. OF VENTING SHALL BE REQ'D. FOR EA. SQ. FT. OF FLOOR AREA.
 PLANS ARE NOT TO BE UTILIZED IN ANY FEMA "V" ZONE DESIGNATION.

OPTIONAL ROOF PITCHES



TYPICAL WOOD FRAME ENDWALL SECTION
N.T.S.

LEE COUNTY DEPARTMENT OF COMMUNITY DEVELOPMENT
 DIVISION OF CODES AND BUILDING SERVICES
 HURRICANE RESISTANT RESIDENTIAL CONSTRUCTION
 PURSUANT TO 2017 FLORIDA BUILDING CODE

12' WIDE WOOD FRAME STORAGE BUILDING

SCALE: AS NOTED
 DATE: DECEMBER 11, 2017
 SHEET

A1



Robert W. Case, P.E.
 cn=Robert W. Case, P.E., o=LIS Engineering, LLC, ou, email=BOBC@LIS-E.COM, c=US
 10:35:02 2018.01.17 '00'05-11.0.23

STORAGE BUILDING

GENERAL

- This building/structure has been designed in accordance with the 2017 Edition of the Florida Building Codes, and Section 1609 for design pressures generated by a three second gust design design wind velocity of 150 mph, (116 mph fastest mile wind velocity). Structural calculations, including gravity loads, as necessary to confirm compliance with the 2017 Edition of the Florida Building Code, have been performed.
- The owner, his agent, or general contractor is responsible for field supervision, construction administration, review and approval of all shop drawings, verification on-site of all dimensions and elevations, and strict compliance with these construction documents as approved by Lee County.
- These plans are intended to be mastered. The repetitive use of these plans for permitting is approved.
- All windows, doors, and other such systems, components and cladding shall be designed in accordance with Section 1609 of the Sixth Edition of the 2017 Florida Building Code for design pressures generated by a three second gust design wind velocity of 150 mph, (116 mph fastest mile wind velocity); see "Design Parameters" for specific pressures.

FASTENERS & CONNECTORS

- Approved connectors, anchors and other fastening devices not included in the Florida Building Code shall be installed in accordance with the manufacturer's recommendations.
- Where fasteners are not otherwise specified fasteners shall be provided in accordance with Table 2304.9.1 of the Sixth Edition of the 2017 Florida Building Code. Nails, screws, or bolts shall be able to resist the forces in this Code.
- Unless otherwise stated, sizes given for nails are common wire nails. For example, 8d = 2 1/2 inches long x 0.131-inch diameter. See Table 12.3B, columns 2, 3, and 4, in the National Design Specifications for Wood Construction. Metal plates, connectors, screws, bolts and nails exposed directly to the weather or subject to salt corrosion in coastal areas, as determined by the Building Official, shall be stainless steel, or hot dipped galvanized after the fastener or connector is fabricated to form a zinc coating not less than 1 oz per sq ft, or hot dipped galvanized with a minimum coating of 1.5 oz per sq ft of steel meeting the requirements of ASTM A 90 Triple Spot Test.

FOOTINGS AND FOUNDATIONS

GENERAL

- All exterior walls, bearing walls, columns, and piers shall be supported on continuous concrete footings, piles, or other approved structural systems which shall be a sufficient design to support safely the loads imposed as determined from the character of the soil.
- Refer to standard details for typical foundation details.
- Fill shall be placed and compacted in one foot lifts.
- Concrete shall have a minimum specified compressive strength of 3000 psi at 28 days.
- Reinforcing Steel shall be minimum Grade 40 and identified in accordance with ASTM A 615, A 616, A 617, or A 706.
- Metal Accessories: Joint reinforcement, anchors, ties, and wire fabric shall conform to the following standards:
 - ASTM B2 for joint reinforcement and wire anchors and ties.
 - ASTM B6 for plate, headed and bent bar anchors.
 - ASTM B66 for sheet metal anchors and ties.
- Metal accessories for use in interior wall construction shall be mill galvanized in accordance with ASTM A 641, Class 1.
- Minimum concrete cover over reinforcing bars shall be 3 inches. In narrow footings where insufficient which is available to accommodate a standard 90 degree hook and provide the required concrete cover, the hook shall be rotated in the horizontal direction until the required concrete cover is achieved.
- Masonry units shall be hollow or solid concrete units in accordance with ASTM C 90 or C 145 and shall have a minimum net area compressive strength of 1900 psi.
- Mortar shall be either Type M or S in accordance with ASTM C 270.
- Grout shall have a maximum coarse aggregate size of 3/8 inch placed at an 8 to 11 inch slump and have a minimum specified compressive strength of 2,000 psi at 28 days when tested in accordance with ASTM C 1019, or shall be in accordance with ASTM C 476.
- All mortar joints for hollow unit masonry shall extend the full width of face shells. Mortar joints for solid masonry shall be full head and bed joints.
- 1/4 inch thick.
- Bed joints shall be 3/8 inch (3/8 1/8 inch) thick. Head joints shall be 3/8 inch (+ 3/8 inch or -
- The bed joint of the starting course placed over footings shall be permitted to vary in thickness from a minimum of 1/4 inch to a maximum of 3/4 inch.
- Masonry walls shall be running bond or stack bond construction. Walls of stack bond construction, in addition to required vertical reinforcement, shall be provided with a minimum of 4 gage horizontal joint reinforcement placed in bed joints not more than 16 inches on center.
- Longitudinal wires of joint reinforcement shall be fully embedded in mortar or grout with a minimum cover of 5/8 inch when exposed to earth or weather and 1/2 inch when not exposed to earth or weather.
- Reinforcing bar used in masonry walls shall have a masonry cover (including grout) not less than 2 inches.
- All concrete is to be mixed, transported, and placed in accordance with the latest ACI Specifications and Recommendations.
- Foundations have been designed for an allowable soil bearing pressure of 2,000 PSF, and the existing soil being a granular material should poor soil conditions be found it is the contractor's responsibility to notify the engineer prior to commencing.
- Provide granular fill, clay materials are unacceptable. Existing soil under footing and slabs shall be compacted to 95% of AASHTO T-99.
- Provide (1) #5 electrical ground to foundation steel.
- A 6 mil minimum polyethylene dampproofing vapor barrier shall be provided, per FBC R320.1.4, and R506.2.3.
- Fill shall be termite treated and a "Certificate for Termite Treatment" is required on the permit board pursuant to FBC Sec. 105.10 and FBC R320.1.
- All footings shall be a minimum of 12" below finished grade.
- The top of slab shall be a minimum of 8" above finished grade for wood frame construction.
- The top of slab shall be a minimum of 4" above finished grade for masonry veneer and a minimum of 6" elsewhere.

CONCRETE FLOORS

- Concrete floors shall be cast in place.
- Concrete shall have a minimum compressive strength of not less than 3,000 psi at 28 days.
- The top of a monolithic slab-on-grade shall be at least 8 inches above finished grade.
- The slab shall be 4 inches thick.
- The slab shall have 6x6 No. 10 welded wire fabric at mid-height or synthetic fiber reinforcement.
- A double layer of welded wire fabric shall be provided around the perimeter of the slab of a distance of 3 ft. from the edge. See Standard Details.

- Welded wire fabric shall conform to ASTM A-185 and free of oil and rust. It shall be installed in lengths as long as possible lapped a minimum of six inches.

WOOD GENERAL

- All wood construction shall comply with the latest NFPA and AITC Specifications and Recommendations.
- Lumber standard shall be American Softwood Lumber Standard PS 20-70, S4S, 19% moisture or as required by structural design.
- Structural lumber (roof beams, headers, columns, exterior wall studs to be Southern Pine No. 2 KD 15 with a Fb=1,800 PSI E=1,600,000 PSI, and Fv = 45 PSI).
- Glue laminated timber shall conform with ASTM D-3737 and AITC IIT. Roof beams shall be designated 24F-V1 or 24F-E1.
- Plywood for sheathing shall be APA rated sheathing as per plans and shall bear the APA Mark.
- Wood in contact with concrete, masonry and/or exposed to weather shall be protected or pressure treated in accordance with AITC-107.

EXTERIOR WALL FRAMING

- Studs shall be placed with the wide face perpendicular to the wall.
- Header Beams shall be provided and sized in accordance with Section R602.7. of the Sixth Edition of the 2017 Florida Building Code.
- The minimum number of header studs supporting each end of a header beam shall be 2.
- The minimum number of full-length wall studs at each end of a header beam shall be 2 for openings of 6 feet or less, and 3 feet for all other openings.
- Uplift connectors shall be provided at the top and bottom of cripple studs, of header studs, and at least one wall stud at each side of opening.

CONNECTIONS FOR EXTERIOR WALL FRAMING

- Framing members in exterior wall systems shall be fastened together in accordance with Section 2305 of the Sixth Edition of the 2017 Florida Building Code.
- Uplift connectors shall be provided to resist the uplift loads.
- Uplift load resistance shall be continuous from roof to foundation.
- Studs shall be connected to plates and plates to floor framing with connectors designed, rated, and approved for each individual location and condition. See Windload Connectors Schedule.
- Where Anchor down connectors occur connectors required for uplift resistance may be omitted.

EXTERIOR WALLS

- Exterior wall segments shall not contain openings which when added together will exceed 144 sq in (1 sq ft) in any individual segment.
- Each corner shall be sheated for a least 3 feet and may be counted as a shearwall segment.
- Minimum length of a shearwall segment shall be 2'-5". The tops of all shearwall segments in any wall shall be connected by drag struts.
- Studs shall be doubled at each end of each shearwall segment.
- Joints shall be lap-spliced. Within the center third of a wall length, the minimum lap shall be 4 feet. Lap splices shall be connected with 14 16d common nails.
- Provide bridging/blocking at mid-span of exterior wall studs.

PLYWOOD SHEATHING USED FOR UPLIFT RESISTANCE

- Panels shall be 15/32" exposure 1 C-D sheathing grade plywood and shall be installed as follows:
 - Panels shall be installed with face grain parallel to studs.
 - All horizontal joints shall occur over framing and shall be attached per Detail Sheets.
 - Flatwise blocking shall be used at all horizontal panel joints.
 - Panels shall be attached to bottom plates and top member of the double top plate.
 - Lowest plates shall be attached to foundation with bolts or connectors of sufficient capacity to resist the uplift forces developed in the plywood sheated walls.
 - Panel attachment to framing shall be as illustrated in the Detail Sheets.
 - Where windows and doors interrupt plywood sheathing, framing anchors or connectors shall be used to resist the appropriate uplift loads.

ANCHOR DOWN CONNECTORS

- Exterior walls require anchor downs to resist overturning moment.
- Two studs and anchor down are required at each end of each shearwall segment.
- The anchor down shall be fastened through the doubled studs and to the construction below in accordance with the manufacturer's recommendations. See Windload Connectors Schedule.

ROOF & TRUSSES

TRUSS FRAMING SYSTEMS

- Trusses shall be designed in accordance with TPI Design Specification for Metal Plate Connected Wood Trusses.
- Parallel Chord Roof Trusses shall be in accordance with TPI Design Specifications for Metal Plate Connected Parallel Chord Wood Trusses.
- Truss design submittals shall indicate design wind speed, height above ground, and amount of uplift at bearings.
- Metal plate connected wood trusses shall be spaced no more than 24 inches on center and designed for live loads and Windloads for an enclosed building based on Sections 2504.4, R502.11.4, and R502.10.1, of the Sixth Edition of the 2017 Florida Building Codes.
- Girder trusses shall be designed to function also as drag struts. Truss design submittals and erection instructions shall show both uplift and lateral connection load requirements at end of girder truss.
- Top chords of trusses shall be of Group II species lumber.
- Uplift connectors shall be provided at truss bearing to resist the uplift loads.
- Where trusses are used to form a hipped roof, a step down hip system shall be used. See detail sheets.
- Provide blocking at ends and mid-spans of roof trusses.
- Roof trusses shall be pre-engineered and designed by a Florida Registered Engineer. Truss manufacturer shall provide shop drawings signed and sealed by a Florida Registered Engineer. Roof trusses shall be placed in accordance with the truss manufacturers drawings and specifications.

ROOF SHEATHING

- Roof sheathing shall be 15/32 inch Exposure 1 C-D sheathing grade plywood (wood structural panels), or equivalent.
- The sheathing shall be installed in accordance with Detail Sheets.
- Long dimension shall be perpendicular to framing and end joints shall be staggered.
- Sheathing shall be fastened to roof framing with 8d ring-shank nails at 6 inches on center at edges and 12 inches on center at interior joints (in compliance with the Florida Building Code).

Ring-shank nails shall have the following minimum dimensions:

- 0.113-inch nominal shank diameter
- Ring diameter of 0.012 over shank diameter
- 16-20 rings per inch
- 0.280 inch full round head diameter
- 2-inch nail length

Exceptions:

Where roof diaphragm requirements may necessitate a closer fastener spacing.

ASPHALT SHINGLE ROOF COVERING

- Roof coverings shall be applied in accordance with the applicable provisions of FBC Sec. 1507 and the manufacturer's installation instructions.
- The installation of asphalt shingles shall comply with the provisions of Fbc Sec. 1507.3.
- Asphalt shingles shall be solidly sheathed decks.
- Asphalt shingles shall be used only on roof slopes of 2:12 or greater. For roof slopes from 2:12 up to 4:12, double underlayment application is required in accordance with 1507.3.2.
- Unless otherwise noted, required underlayment shall conform with ASTM D 226, type 1, or ASTM D 4869, type 1.
- Self-adhering polymer modified bitumen sheet shall comply with ASTM 1970.
- Asphalt shingles shall have self-seal strips or be interlocking, and comply with ASTM D 225 or ASTM D 3462.
- Fasteners for asphalt shingles shall be galvanized, stainless steel, aluminum or copper roofing nails, minimum 12 gauge shank with a minimum 3/8 inch diameter head, of a length to penetrate through the roofing materials and a minimum of 3/4 inch into the roof sheathing. Where the roof sheathing is less than 3/4 inch thick, the nails shall penetrate through the sheathing.
- Asphalt shingles shall be secured to the roof with not less than four fasteners per strip shingle or two fasteners per individual shingle.
- For roof slopes from 2:12 up to 4:12, underlayment shall be a minimum of two layers applied as follows:
 - Starting at the eave, a 19-inch strip of underlayment shall be applied parallel with the eave and fastened sufficiently to stay in place.
 - Starting at the eave, 36-inch-wide strips of underlayment felt shall be applied overlapping successive sheets 19 inches and fastened sufficiently to stay in place.
- For roof slopes 4:12 or greater, underlayment shall be a minimum of one layer of underlayment felt as follows: starting at the eave, underlayment shall be applied shingle fashion parallel to the eave, lapped 2 inches, and fastened sufficiently to stay in place.

CEILING DIAPHRAGMS

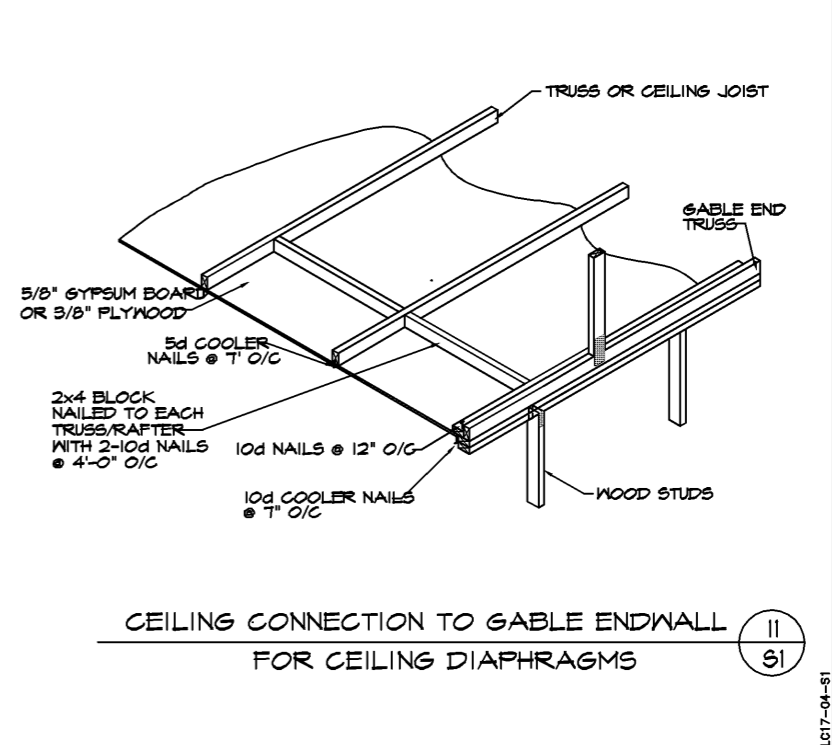
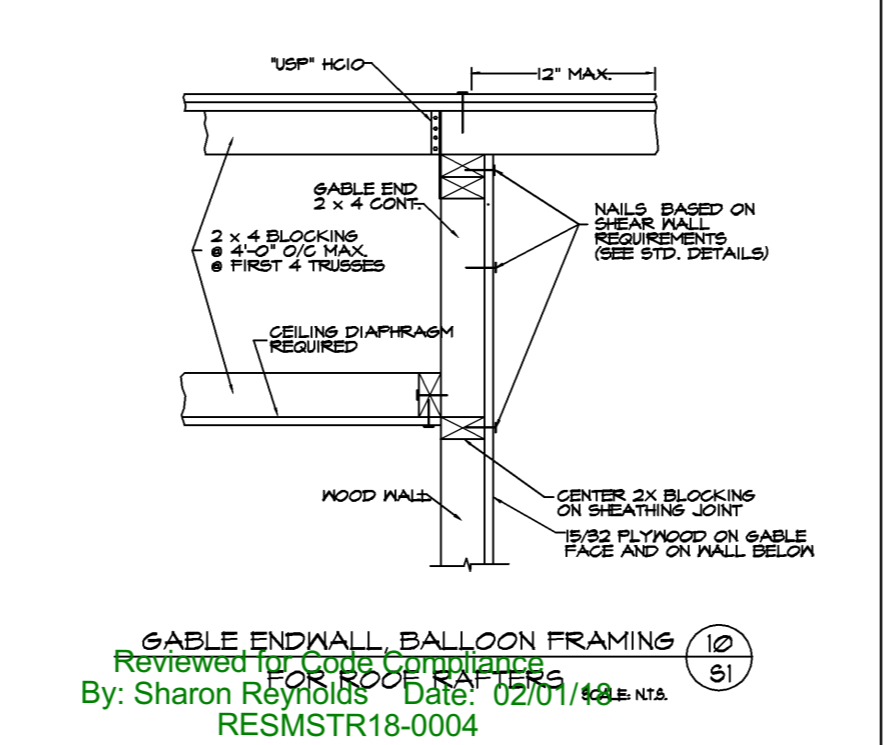
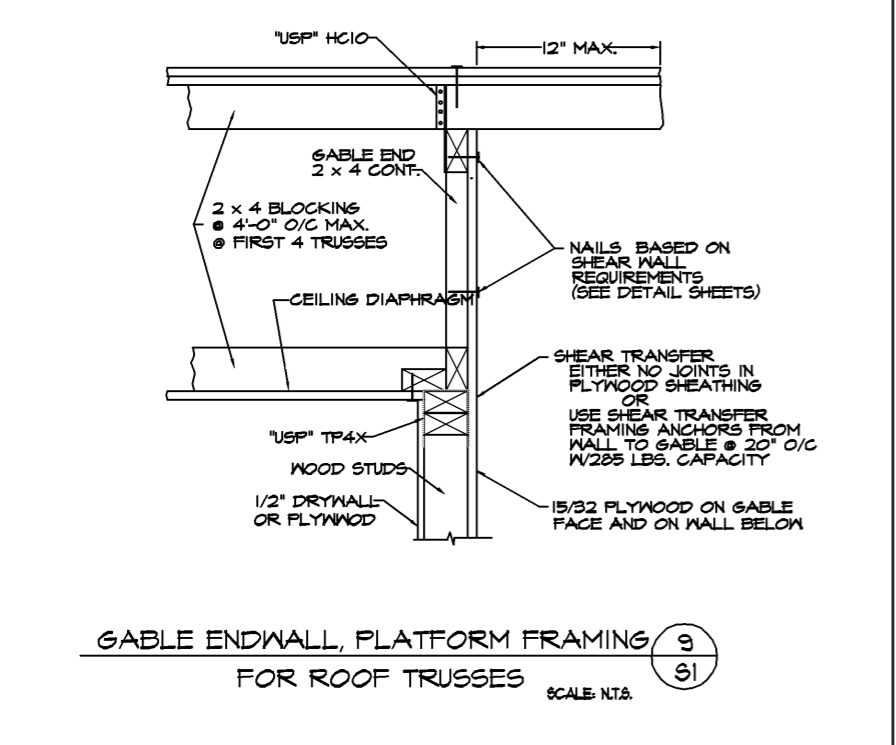
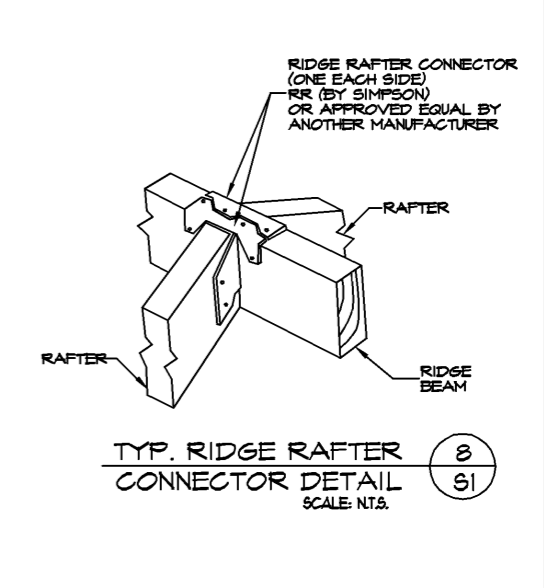
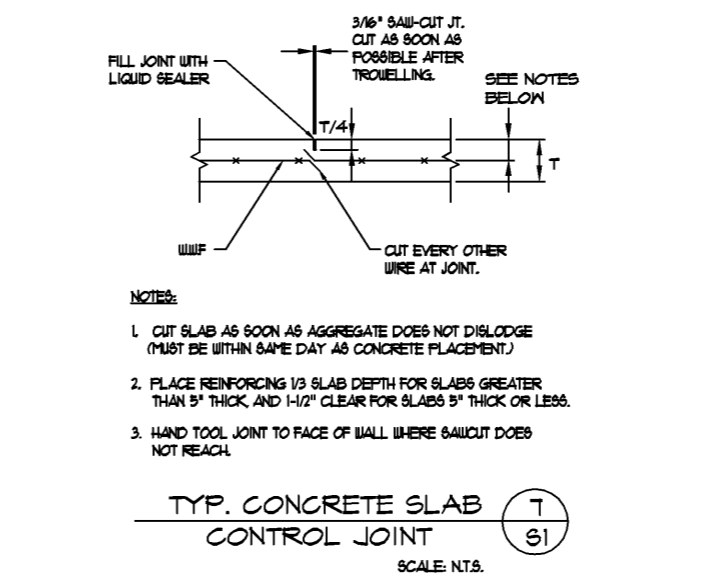
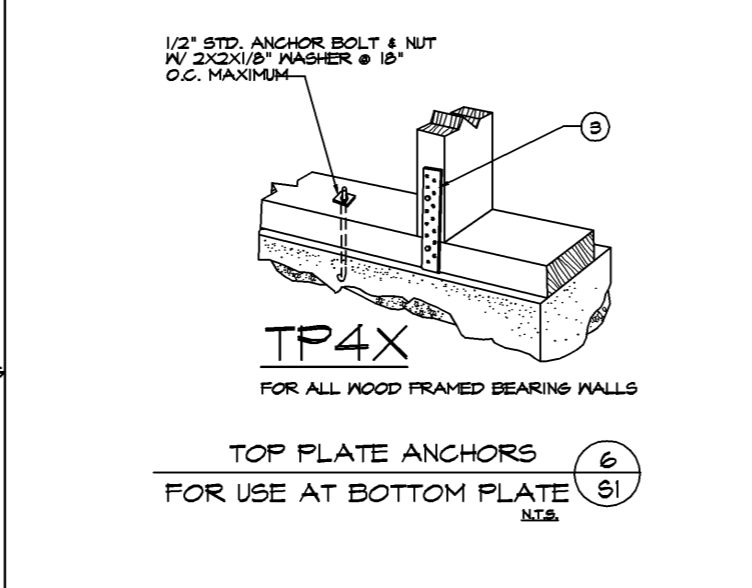
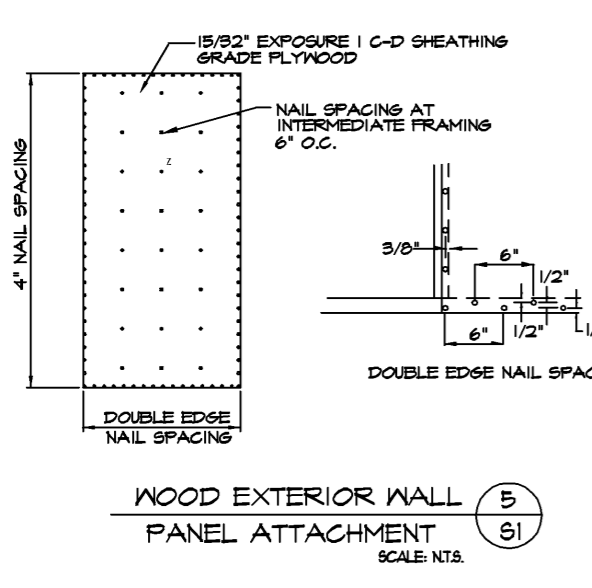
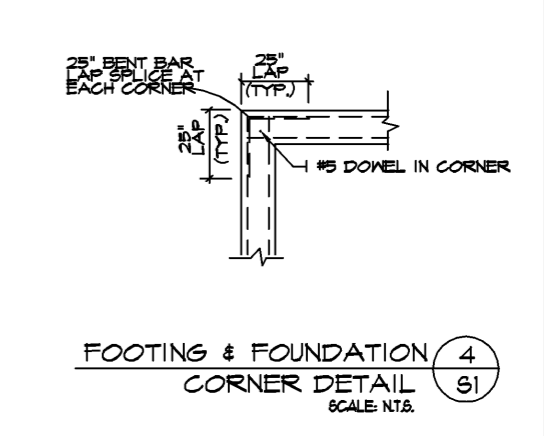
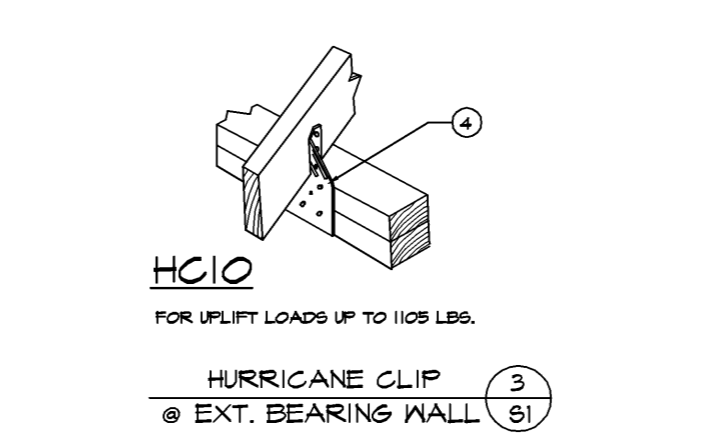
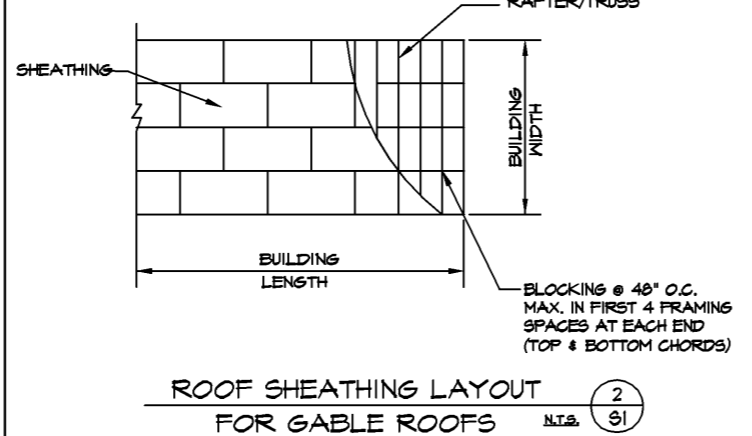
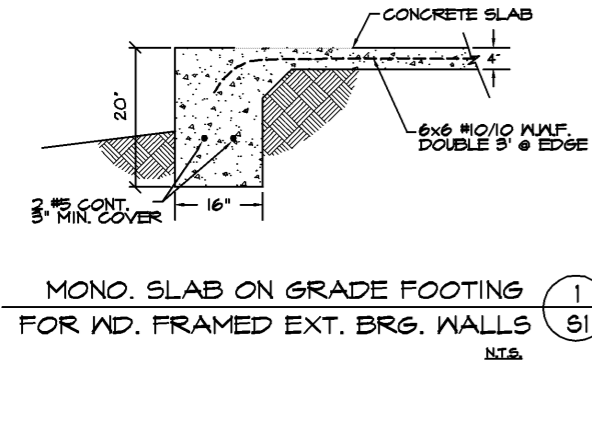
- In those cases where a gable endwall is not built using full-height studs continuous from floor to roof (balloon framing) a ceiling diaphragm shall be used to resist the lateral loads at the horizontal joint between the top plate of a platform-framed endwall and the gable construction above.
- Where there is no ceiling diaphragm at the height, such as a cathedral ceiling condition, the entire endwall, including the gable, must be constructed using full length studs from the floor to the roof deck (balloon framing), see detail sheets.
- Where a gypsum wallboard ceiling is used to create the required diaphragm, the diaphragm length must be at least two times the width of the building.
- The gypsum board must be a 5/8", pf 5/8 inch thick and must be fastened directly to the ceiling joists or bottom chords of trusses (nourring) with 5d cooler nails or SHS-54 1 1/2 inch nails at 7 inches on center.
- Ceiling framing shall be braced with full depth blocking at 4 feet on center in the first four framing spaces from each end at top and bottom chords.
- Lateral loads at the endwall top plate shall be resisted by connecting the top plate to a 2x ceiling nailer with 10d nails at 6 inches on center. See detail sheets.

EXTERIOR WALL VENEERS

- Exterior wall veneers shall be installed in accordance with Section 1405 of the Sixth Edition of the 2017 Florida Building Code.
- Application of stucco (portland cement plaster) shall be in accordance with ASTM C 296, Application of Portland Cement Based Plaster.

WINDLOAD CONNECTORS SCHEDULE				
LABEL	MANUFACTURER	DESCRIPTION	FASTENERS	
USP	SIMPSON			
(1)	(2) TDX5	(2) HDBA/S	VOID TO VOID UPLIFT CONN. ASSY.	(4) 3/4" NB
(2)	HTA24	HETA24	TRUSS/RAFTER ANCHOR	10-10d x 1-1/2"
(3)	TP4X	SPH4	TIP/BOTTOM PLATE ANCHORS	10-10d
(4)	HCL10	H10	HURRICANE CLIP	9-10d - 9-10d
(5)	RT22T	HTS24	TRUSS/RAFTER TIES	18-16d (2-16d V/ SIMPSON STRAP)
(6)	TDX5	HDBA/S	ANCHOR DOWN	(2) 5/8" NB - (1) 3/8" AB
(7)	RT30F	LTSA30	TRUSS/RAFTER TIES	18-16d
(8)	SH46	N/A	HAS. UPLIFT CONNECTOR	(2) 3/4" NB - (4) 1/2" AB
(9)	HTA20	HETA20	TRUSS ANCHOR, HIGH UPLIFT	16-10d x 1-1/2"
(10)	PA23	PA23	FURLIN ANCHOR	18-16d
(11)	HCL10-2	H10-2	HURRICANE CLIP	9-10d - 9-10d
(12)	USC3F	N/A	TRUSS/RAFTER TIES	(8) 16d - (4) 3/4" AB

LEE COUNTY DEPARTMENT OF COMMUNITY DEVELOPMENT
 DIVISION OF CODES AND BUILDING SERVICES
 HURRICANE RESISTANT RESIDENTIAL CONSTRUCTION
 PURSUANT TO 2017 FLORIDA BUILDING CODE
12' WIDE WOOD FRAME STORAGE BUILDING
 SCALE: N.T.S.
 DATE: DECEMBER 11, 2017
 SHEET
N1



LEE COUNTY DEPARTMENT OF COMMUNITY DEVELOPMENT
DIVISION OF CODES AND BUILDING SERVICES
HURRICANE RESISTANT RESIDENTIAL CONSTRUCTION
PURSUANT TO 2017 FLORIDA BUILDING CODE

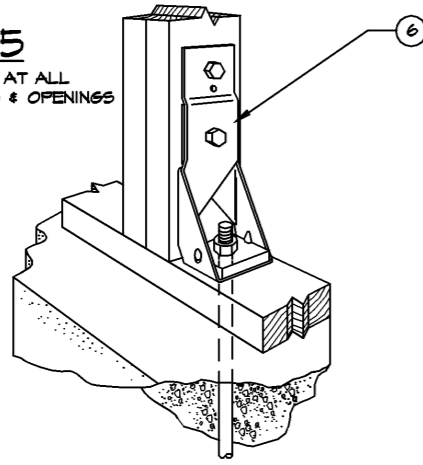
12' WIDE WOOD FRAME
STORAGE BUILDING

SCALE: N.T.S.
DATE: DECEMBER 7, 2017
SHEET
S1

Reviewed for Code Compliance
By: Sharon Reynolds Date: 02/01/18
RESMSTR18-0004

LC17-04-S1

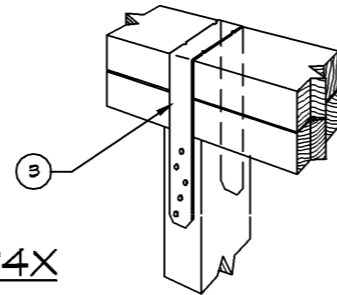
TDX5
FOR USE AT ALL
CORNERS & OPENINGS



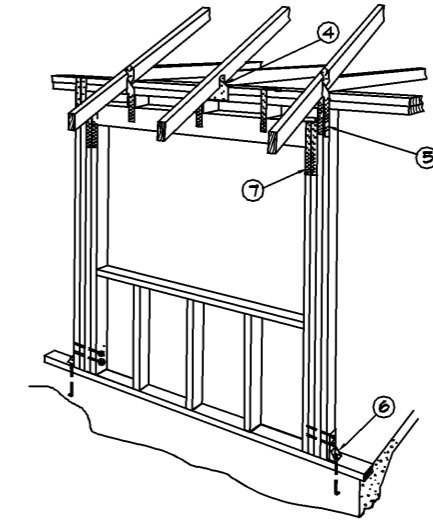
ANCHOR DOWN (1)
N.T.S. S2

TP4X

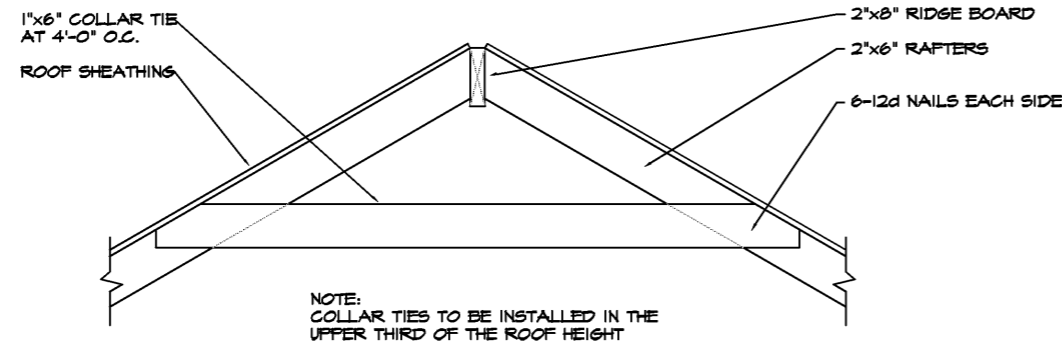
FOR USE AT ALL WOOD
FRAMED BEARING WALLS



TOP PLATE ANCHOR (2)
N.T.S. S2

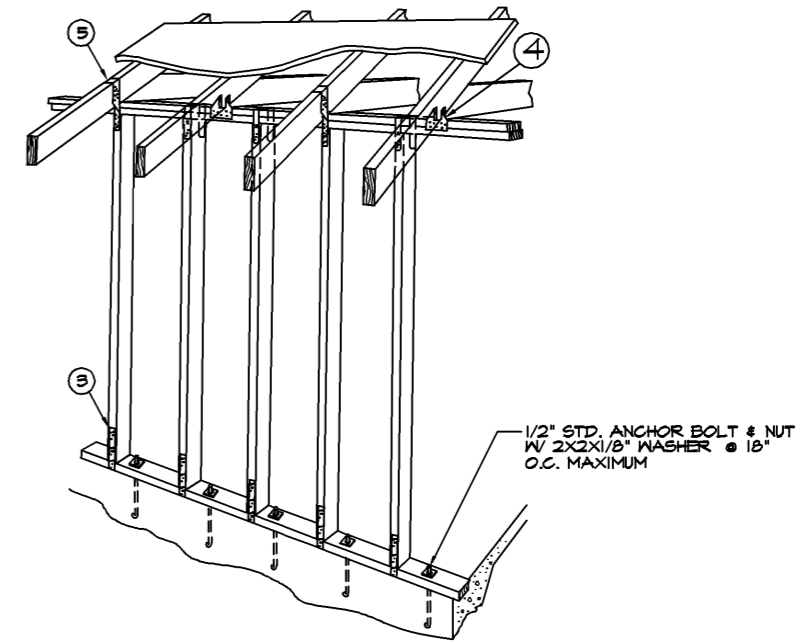


TYP. HEADER & CONNECTORS FOR (3)
OPENINGS AT EXT. BEARING WALLS N.T.S. S2



NOTE:
COLLAR TIES TO BE INSTALLED IN THE
UPPER THIRD OF THE ROOF HEIGHT

ROOF BRACING DETAIL (4)
N.T.S. S2



TYPICAL EXT. WD. FRAME BEARING (5)
WALL CONNECTIONS & STRAPPING N.T.S. S2

Reviewed for Code Compliance
By: Sharon Reynolds Date: 02/01/18
RESMSTR18-0004

LEE COUNTY DEPARTMENT OF COMMUNITY DEVELOPMENT
DIVISION OF CODES AND BUILDING SERVICES
HURRICANE RESISTANT RESIDENTIAL CONSTRUCTION
PURSUANT TO 2017 FLORIDA BUILDING CODE

**12' WIDE WOOD FRAME
STORAGE BUILDING**

SCALE: N.T.S.
DATE: DECEMBER 7, 2017
SHEET

S2

LC17-04-S1