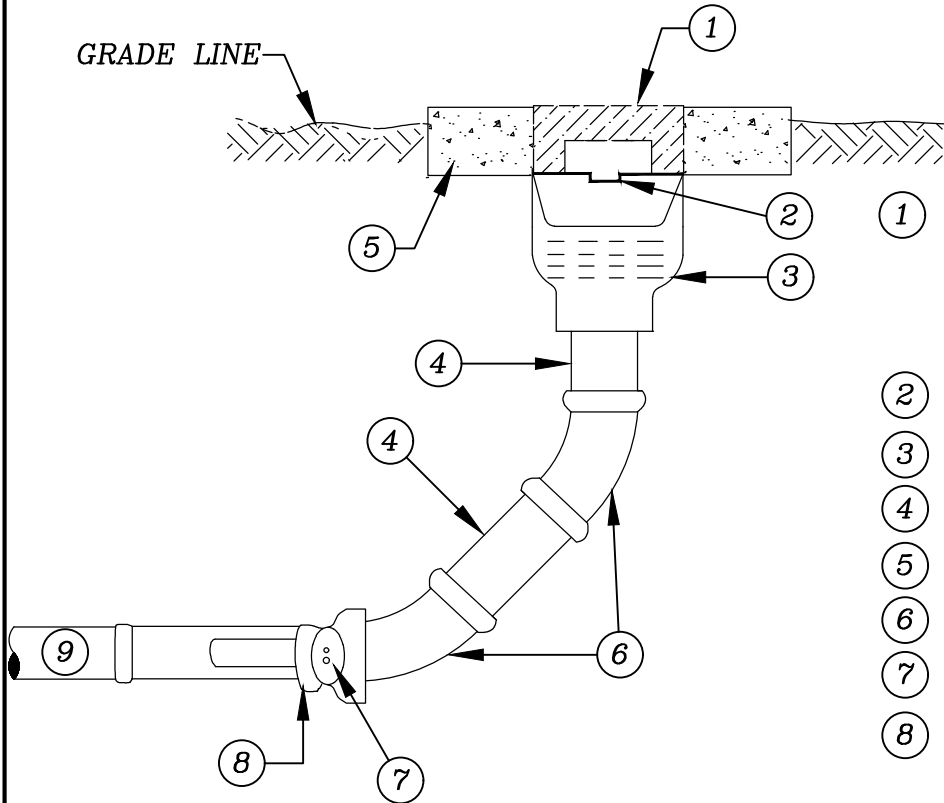


STANDARD DETAIL NO. 6.40

LEE COUNTY UTILITIES

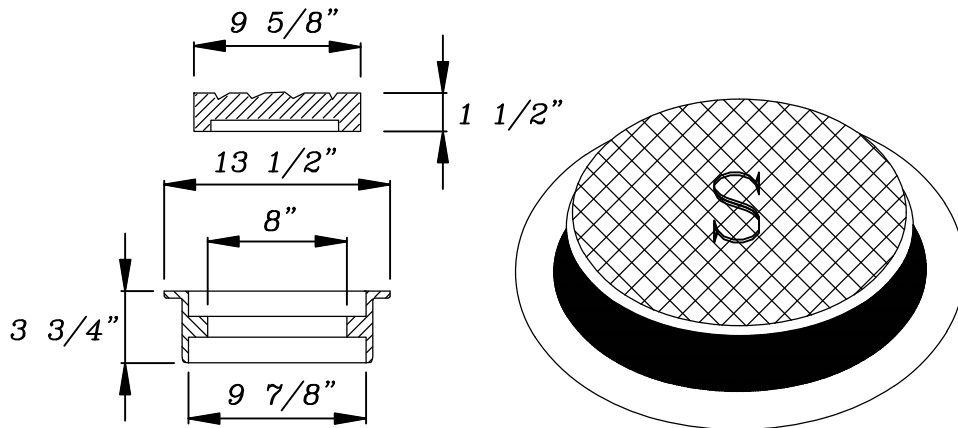
6" OR 8" SEWER CLEAN-OUT DETAIL

N.T.S.



- ① IN ALL CASES USE TRAFFIC BEARING HANDHOLE RING & COVER OR EQUAL ADJUSTED TO FINAL GRADE WITH CLEANOUT RECESSER
- ② 6" OR 8" THREADED CAP
- ③ 6" OR 8" PVC FEMALE ADAPTER
- ④ 6" OR 8" PVC RISER
- ⑤ CONCRETE COLLAR 24"x24"x4"
- ⑥ 6" OR 8" 45° ELBOW
- ⑦ W/WATERTIGHT PLUG
- ⑧ THE CONNECTION MUST BE MADE TO THE DOUBLE 45° WYE (SIZE TBD)
- ⑨ 6" OR 8" PVC SEWER PIPE

REVERSIBLE HANDHOLE RING AND COVER



COVERS ARE MARKED WITH "S"

COVER TYPE	LOAD RATING	COVER WEIGHT	TOTAL WEIGHT
FE	HEAVY DUTY	20	45