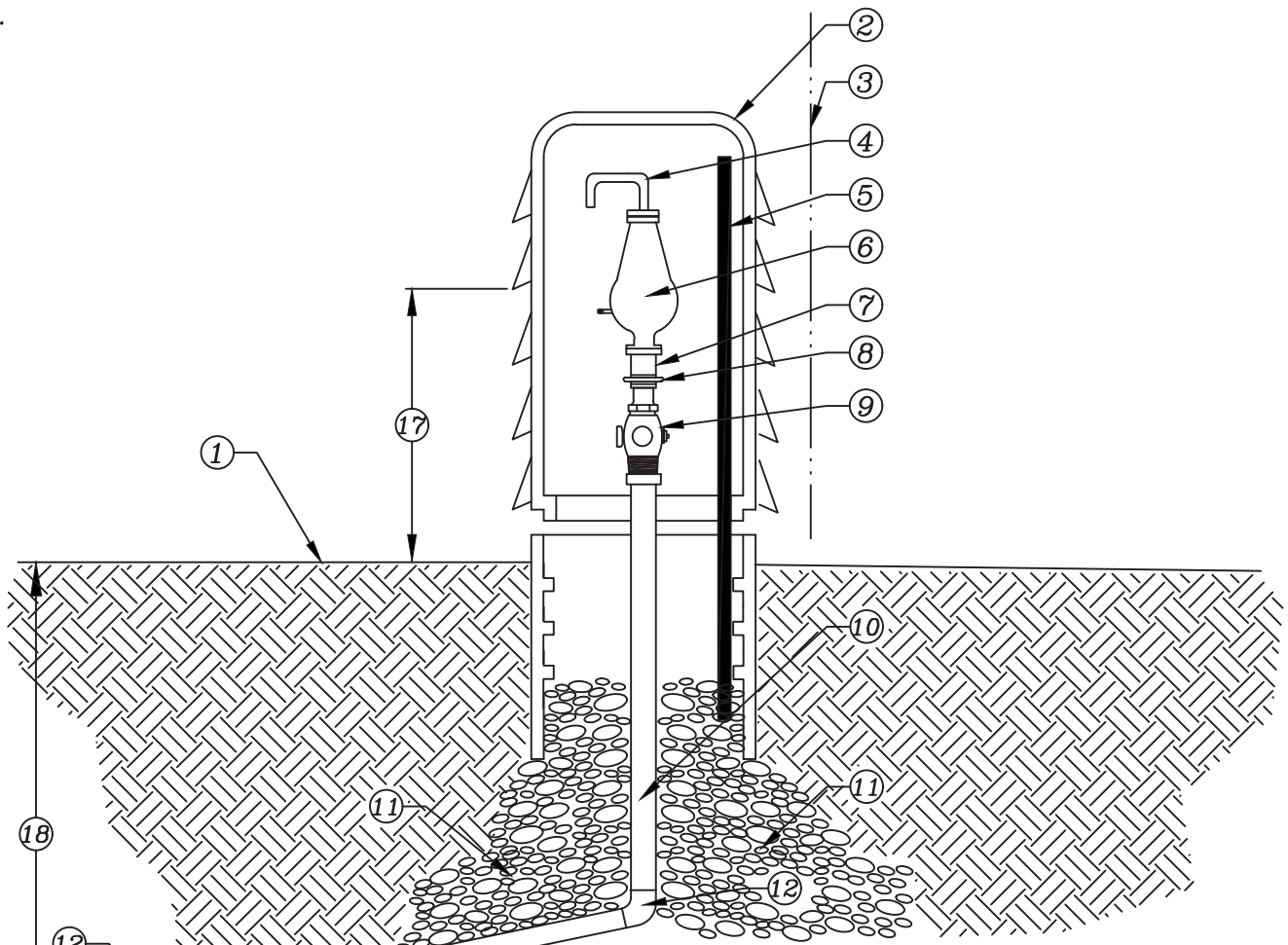


STANDARD DETAIL NO. 6.4

LEE COUNTY UTILITIES

AUTOMATIC AIR RELEASE VALVE

N.T.S.



SECTION

- | | |
|--|---|
| <ul style="list-style-type: none"> ① FINISHED GRADE ② PEDESTAL HOUSING (SEE APPROVED MATERIAL LIST)
COLORS: BLUE-WATER, GREEN-SEWER, PANTONE-REUSE ③ EDGE OF RIGHT-OF-WAY ④ PVC STREET ELL ⑤ S.S. POST WITH S.S. HARDWARE AND S.S. LOCKING HASP WITH BRASS LOCK | <ul style="list-style-type: none"> ⑥ SHORT BODY AUTOMATIC AIR RELEASE VALVE (SEE APPROVED MATERIAL LIST) ALL INTERNAL WORKING PARTS SHALL BE 300 SERIES STAINLESS STEEL ⑦ PVC SCHEDULE 80 ⑧ PVC REDUCER IF NEEDED ⑨ BRASS BALL CORP. STOP ⑩ 2" POLY-TUBE ⑪ 3/4" GRANULAR MATERIAL, #57 STONE ⑫ 2" BRASS FITTING IF NECESSARY ⑬ 1% MIN. SLOPE UP, 2" POLY-TUBE ⑭ TAP AT CROWN OF PIPE ⑮ 2" DOUBLE STRAP TAPPING SADDLE (SEE APPROVED MATERIAL LIST) ⑯ EXISTING PRESSURE MAIN ⑰ 24" ⑱ 30" MIN. |
|--|---|