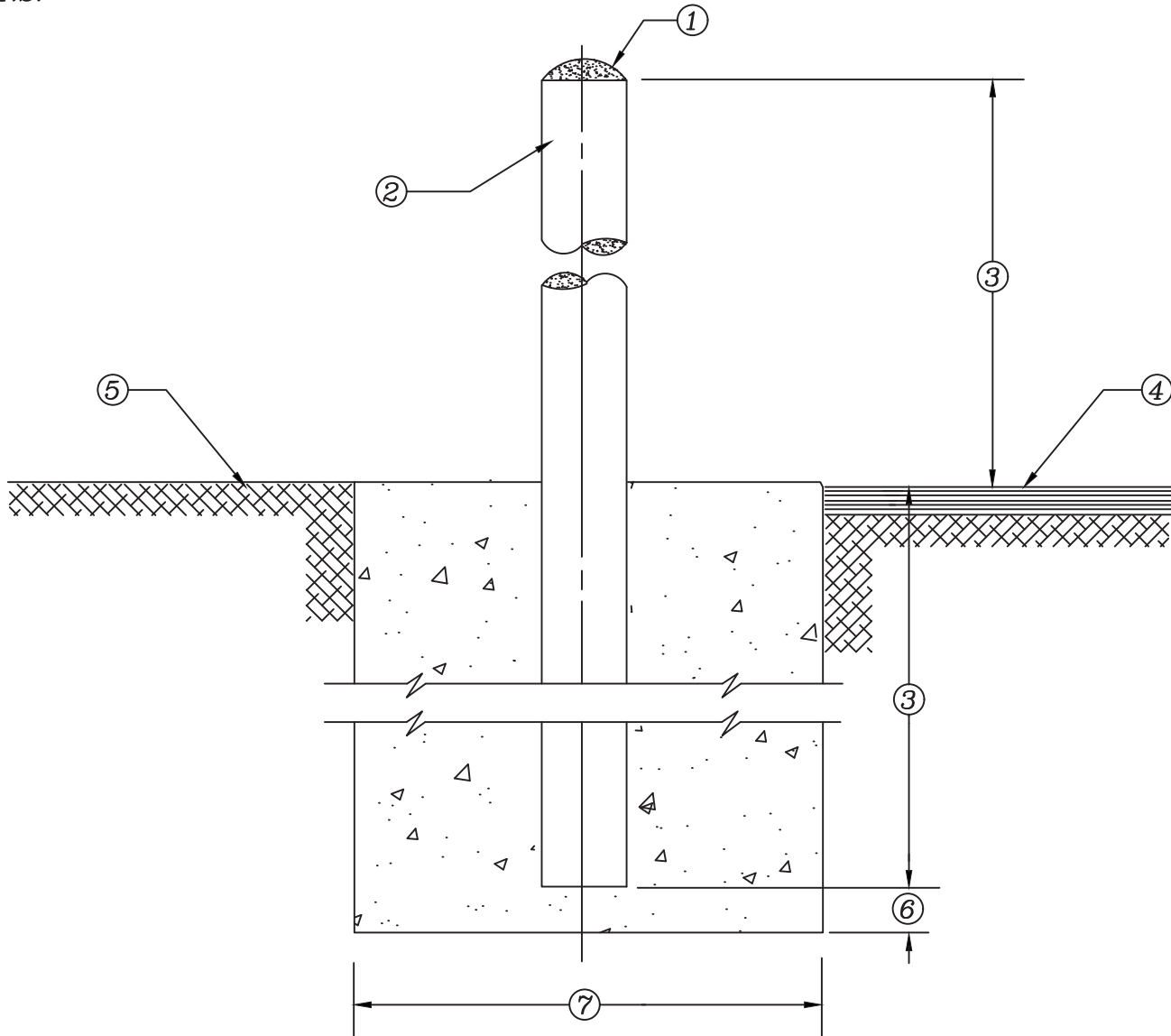


STANDARD DETAIL NO. 6.44

LEE COUNTY UTILITIES

BOLLARD POST DETAIL

N.T.S.



- ① *FILL AND TOP PIPE WITH CONCRETE*
- ② *6" DIA. x 6'-0" LONG PRESSURE CLASS 350 DUCTILE IRON PIPE*
- ③ *3'-0" MINIMUM*
- ④ *PAVEMENT*
- ⑤ *FINISHED GRADE*
- ⑥ *3"*
- ⑦ *18" DIA. CONCRETE ENCASEMENT 3000 P.S.I.*

NOTE:

- 1. *PAINT BOLLARD TO LCU STANDARDS*