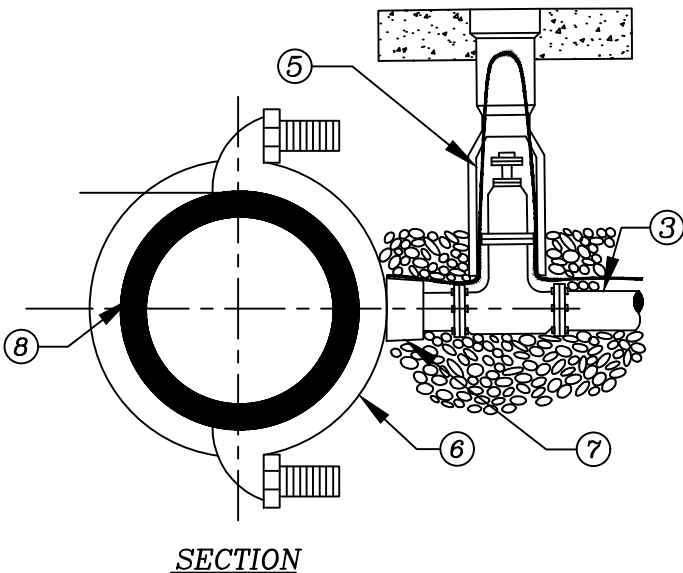
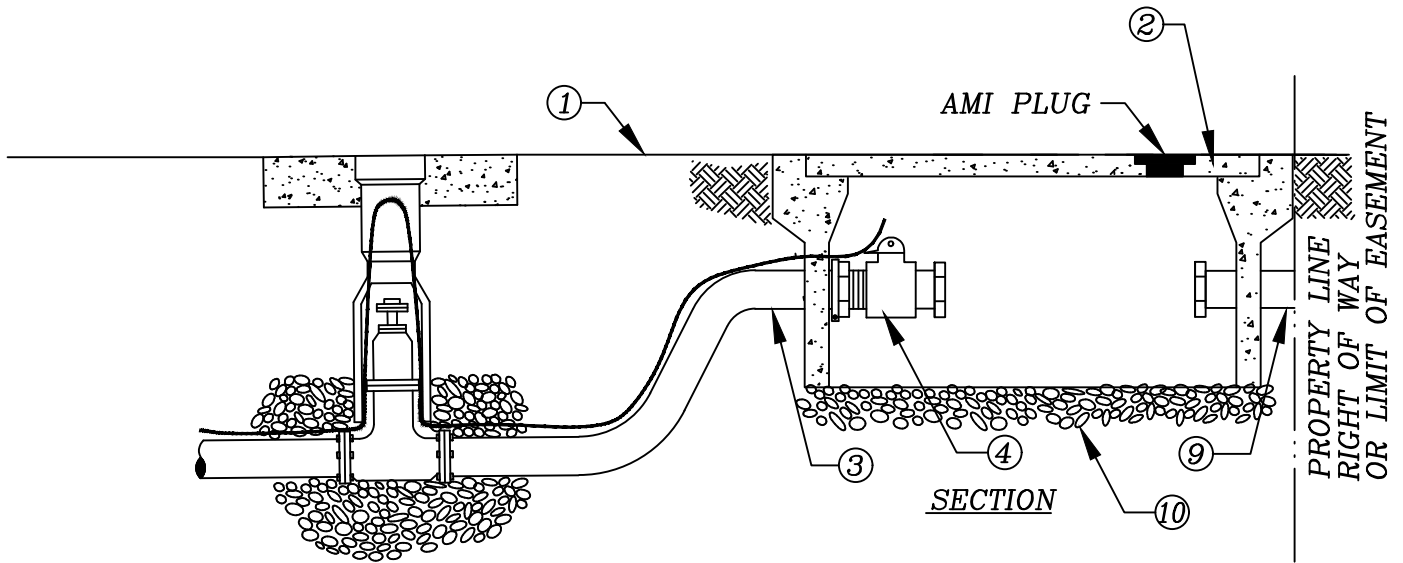


STANDARD DETAIL NO. 6.17

LEE COUNTY UTILITIES

WATER SERVICE INSTALLATION 1-1/2" THROUGH 2"

N.T.S.



- ① FINISHED GRADE
- ② 17" X 30" METER BOX WITH COVER TO BE LOCATED INSIDE R.O.W. @ PROPERTY LINE & CLEAR OF DRIVEWAYS. (SEE APPROVED MATERIALS LIST)
- ③ 2" POLYETHYLENE TUBING, PE 3408, 200PSI, SDR9, BLUE (SEE APPROVED MATERIAL LIST) WITH LOCATING WIRE
- ④ STRAIGHT CURB STOP WITH PADLOCK WINGS CONNECTED TO LEE COUNTY WATER METER (SEE APPROVED MATERIAL LIST)
- ⑤ 2" GATE VALVE WITH OPERATIONAL NUT (SEE DETAIL 6.1 OR 6.2)
- ⑥ DOUBLE STRAP SERVICE SADDLE PROVIDE SPRING LOADED TAPPING SADDLE WHEN TAPPING HDPE (SEE APPROVED MATERIAL LIST)
- ⑦ BRASS NIPPLE (MAX 3" LONG)
- ⑧ WATER MAIN
- ⑨ PRIVATE SERVICE LINE
- ⑩ 2" OF 57 STONE

NOTE:

A. TUBING UNDER ROADWAY SHALL BE ENCASED IN 4" P.V.C. PIPE SCHEDULE 40 MINIMUM AND EXTEND 4 FEET BEYOND THE EDGES OF PAVEMENT OR BACK OF CURB.